



US00D972525S

(12) **United States Design Patent** (10) **Patent No.:** **US D972,525 S**
Demin et al. (45) **Date of Patent:** **** Dec. 13, 2022**

(54) **LOUDSPEAKER**
(71) Applicant: **Harman International Industries, Incorporated**, Northridge, CA (US)
(72) Inventors: **Alexander Demin**, Shenzhen (CN); **Ondrej Vaclavik**, Shenzhen (CN)
(73) Assignee: **Harman International Industries, Incorporated**, Northridge, CA (US)

D770,414 S * 11/2016 Davies D14/215
D791,735 S 7/2017 Kalyuzhny et al.
D839,852 S 2/2019 Garrett et al.
D840,436 S 2/2019 Demin et al.
D843,418 S 3/2019 Demin et al.
D843,419 S 3/2019 Vaclavik et al.
D864,909 S * 10/2019 Lehnert D14/215
D900,787 S * 11/2020 Molina D14/215

(**) Term: **15 Years**
(21) Appl. No.: **29/704,161**

(22) Filed: **Sep. 3, 2019**
(51) **LOC (13) Cl.** **14-03**
(52) **U.S. Cl.**
USPC **D14/204**
(58) **Field of Classification Search**
USPC D14/167, 168, 170-172, 188, 194-196,
D14/204, 209.1, 210-216, 219, 221, 222,
D14/224, 239, 496
See application file for complete search history.

(56) **References Cited**

U.S. PATENT DOCUMENTS

D507,790 S 7/2005 Dayan
D518,026 S 3/2006 Dayan
D559,833 S * 1/2008 Skurdal D14/168
D570,333 S * 6/2008 Cho D14/215
D576,150 S * 9/2008 Lim D14/215
D583,801 S * 12/2008 Son D14/211
D634,302 S * 3/2011 Chung D14/211
D687,813 S * 8/2013 Lee D14/215
D716,266 S * 10/2014 Kim D14/215
D723,001 S * 2/2015 Park D14/215
D743,375 S * 11/2015 Lee D14/215
D743,377 S 11/2015 Mackiewicz et al.
D758,992 S 6/2016 Garrett et al.
D760,193 S * 6/2016 Vassilkov D14/215

OTHER PUBLICATIONS

Design U.S. Appl. No. 29/675,376, filed Dec. 31, 2018.
Design U.S. Appl. No. 29/683,654, filed Mar. 14, 2019.
Design U.S. Appl. No. 29/689,118, filed Apr. 26, 2019.
Harman Kardon SoundSticks Setup Guide, 2000.
Harman Kardon SoundSticks II specification sheet, 2004.
Harman Kardon SoundSticks III specification sheet, 2010.

(Continued)

Primary Examiner — Khawaja Anwar
(74) *Attorney, Agent, or Firm* — Plumsea Law Group, LLC

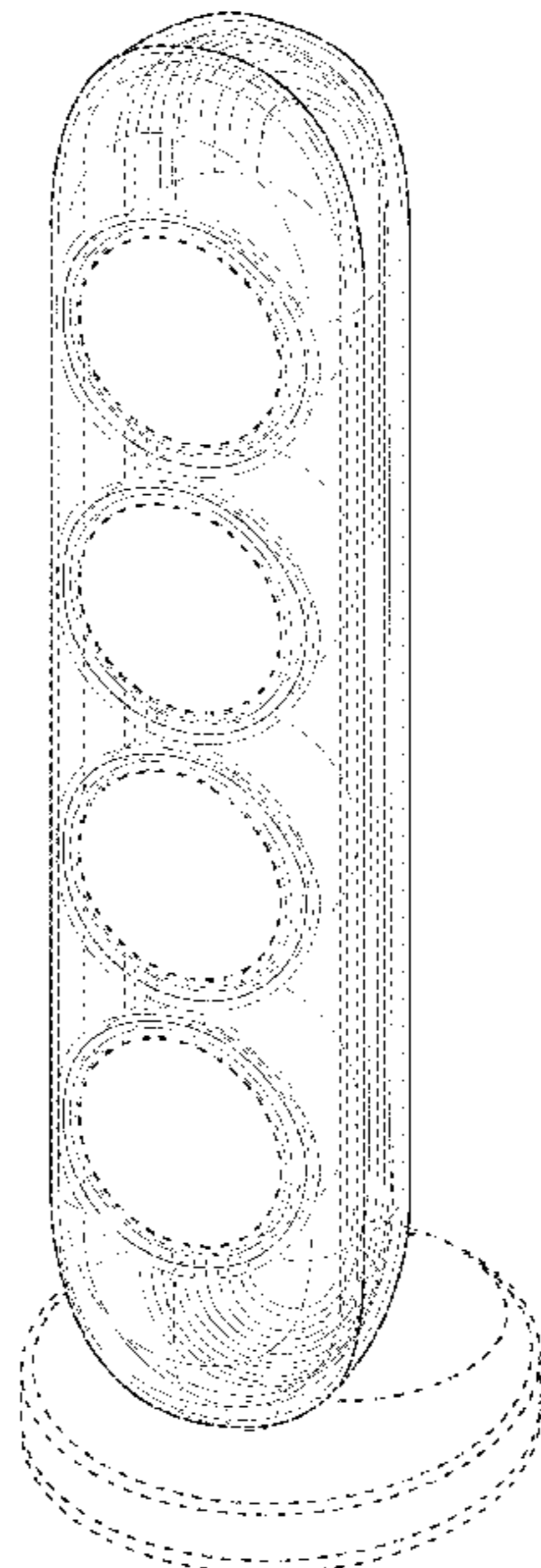
(57) **CLAIM**

The ornamental design for a loudspeaker, as shown and described.

DESCRIPTION

FIG. 1 is a perspective view of a loudspeaker showing the new design;
FIG. 2 is a front elevational view thereof;
FIG. 3 is a rear elevational view thereof;
FIG. 4 is a side elevational view thereof;
FIG. 5 is an opposite side elevational view thereof;
FIG. 6 is a top view thereof; and,
FIG. 7 is a bottom view thereof.
The broken lines illustrate portions of the loudspeaker that form no part of the claimed design.

1 Claim, 7 Drawing Sheets



(56)

References Cited

OTHER PUBLICATIONS

Harman Kardon SoundSticks Wireless Speaker System specification sheet, 2012.

Unmakr, "MoMA Approved Harman Kardon Soundsticks II Teardown," Medium.com, dated May 16, 2018. Retrieved Dec. 3, 2019 from internet: <<https://medium.com/@unmakr/moma-approved-harman-kardon-soundsticks-ii-teardown-f5ef983185cb>>.

Sparrow, Mark, "Harman Kardon Soundsticks Are Still The Ideal Apple Mac Partner Some Two Decades On," Forbes.com, dated Apr. 9, 2019. Retrieved Dec. 3, 2019 from internet: <<https://www.forbes.com/sites/marksparrow/2019/04/09/harman-kardon-soundsticks-are-still-the-ideal-apple-mac-partner-some-two-decades-on/#3d0f9a551f3d>>.

Design U.S. Appl. No. 29/704,163, filed Sep. 3, 2019.

* cited by examiner

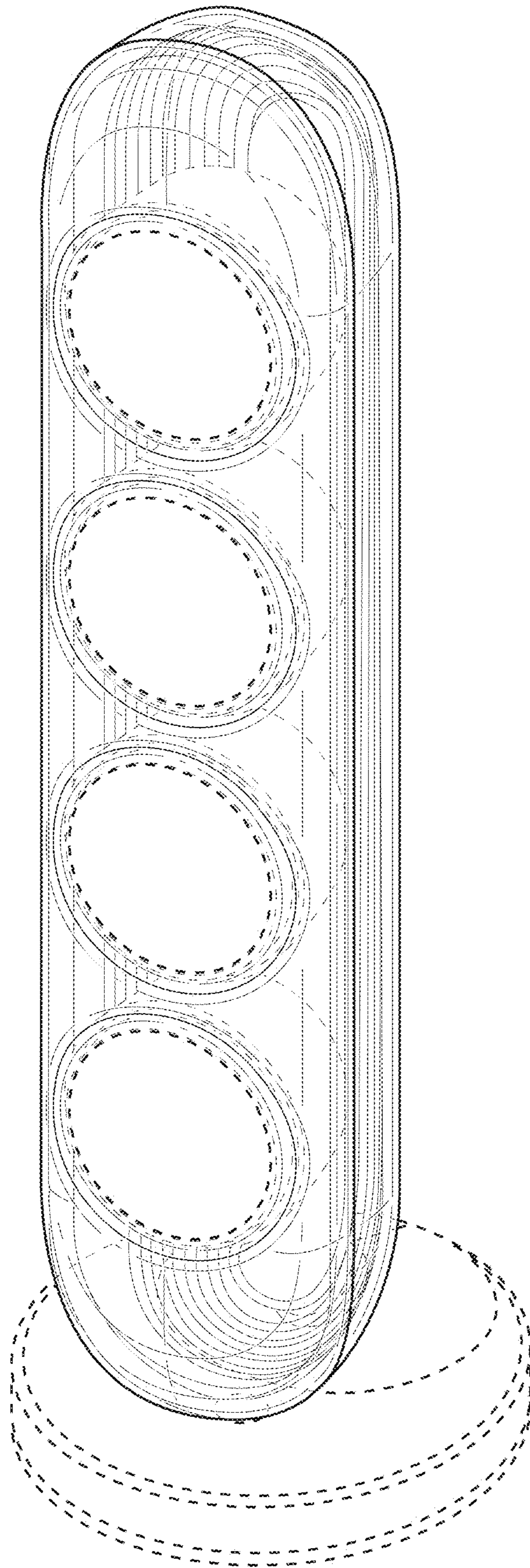


FIG. 1

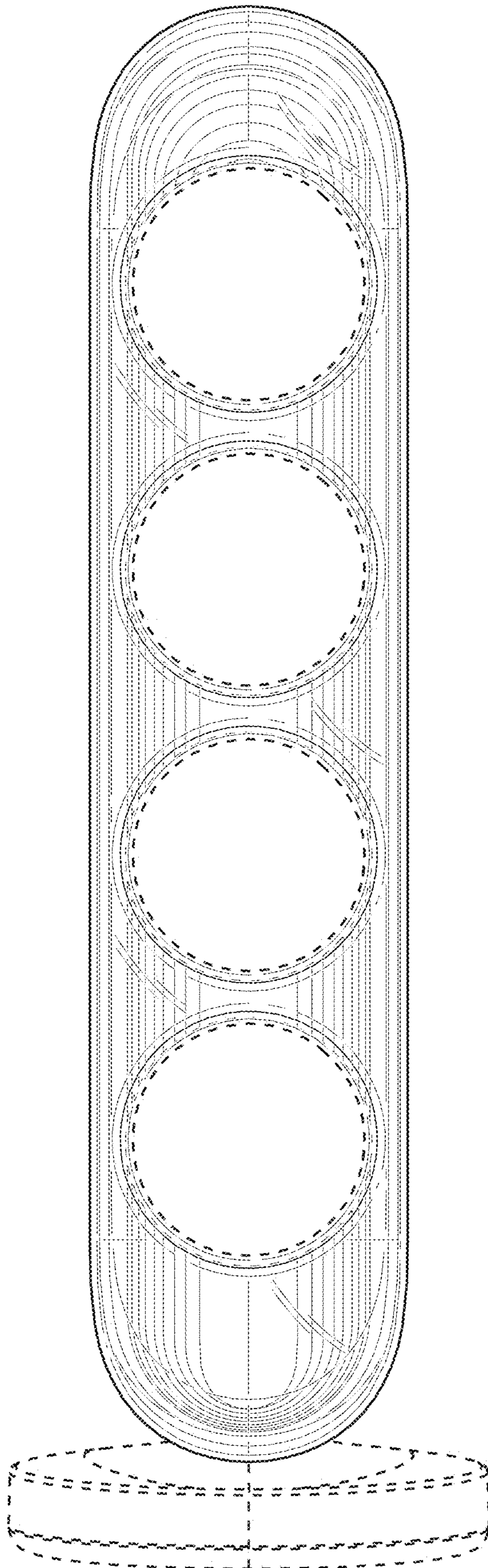


FIG. 2

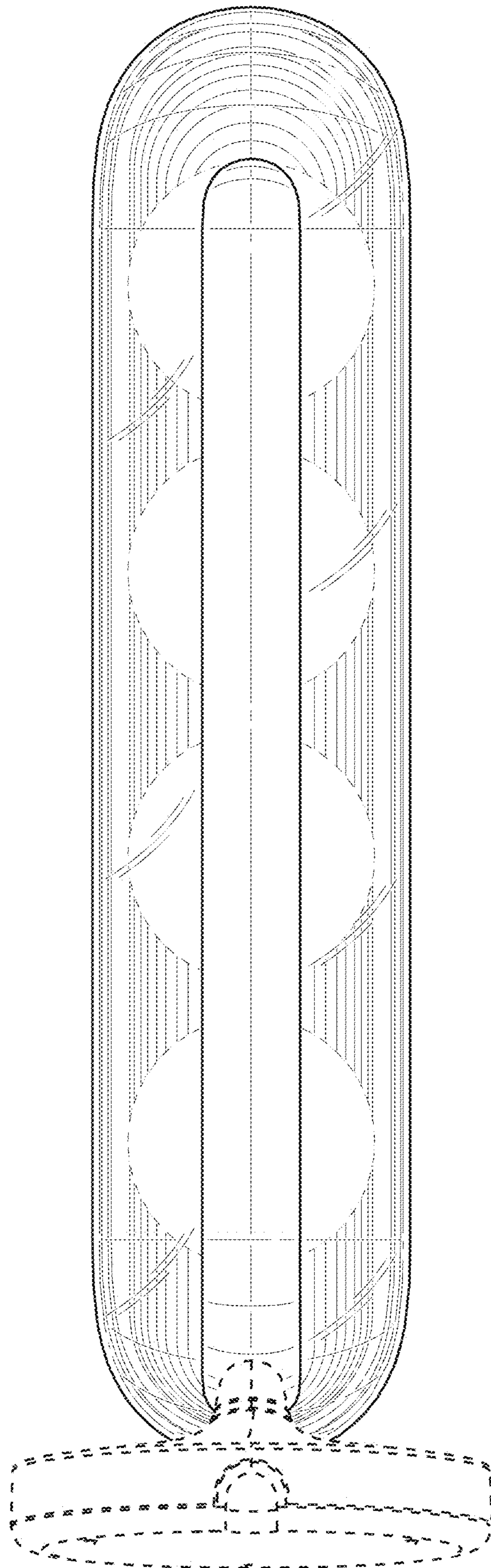


FIG. 3

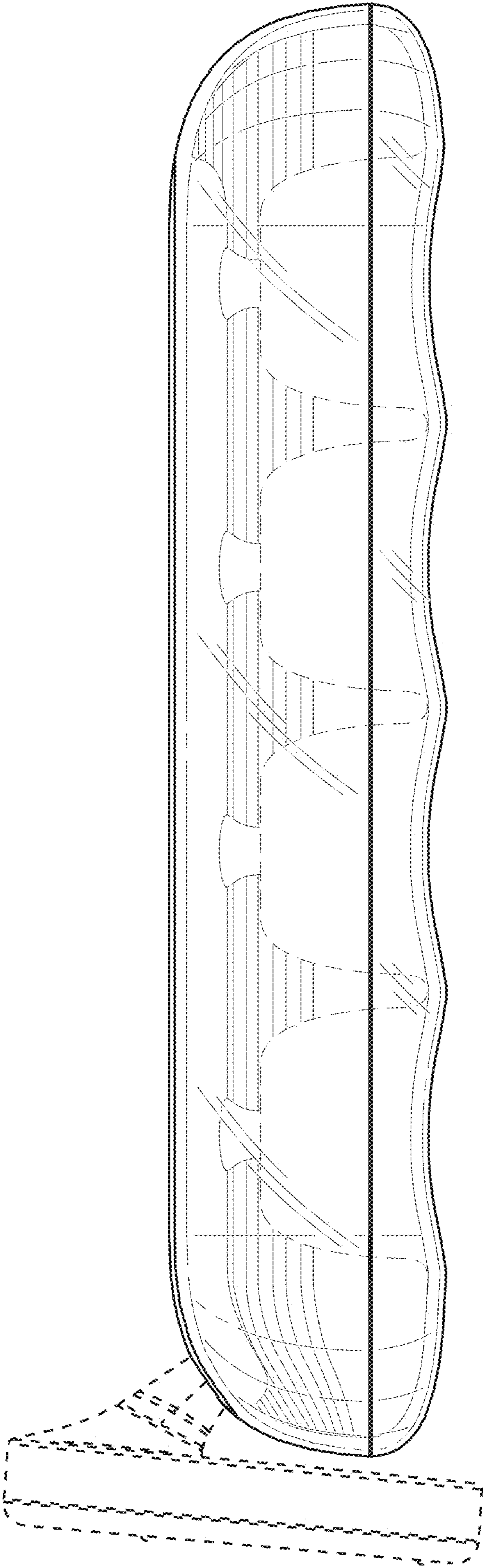


FIG. 4

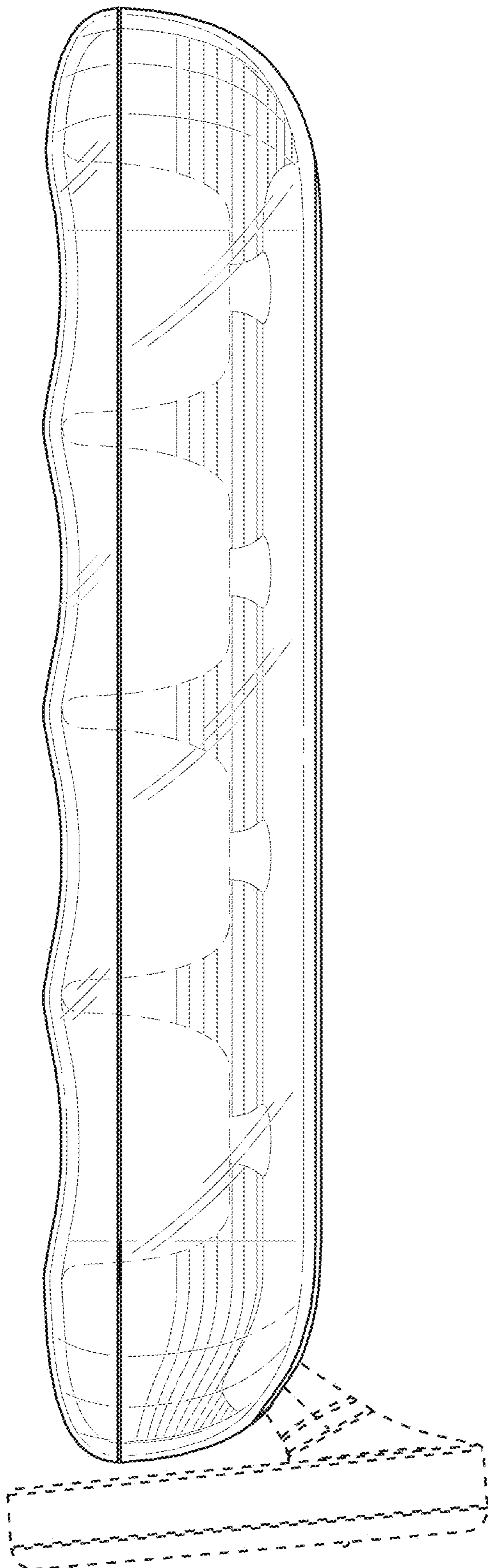


FIG. 5

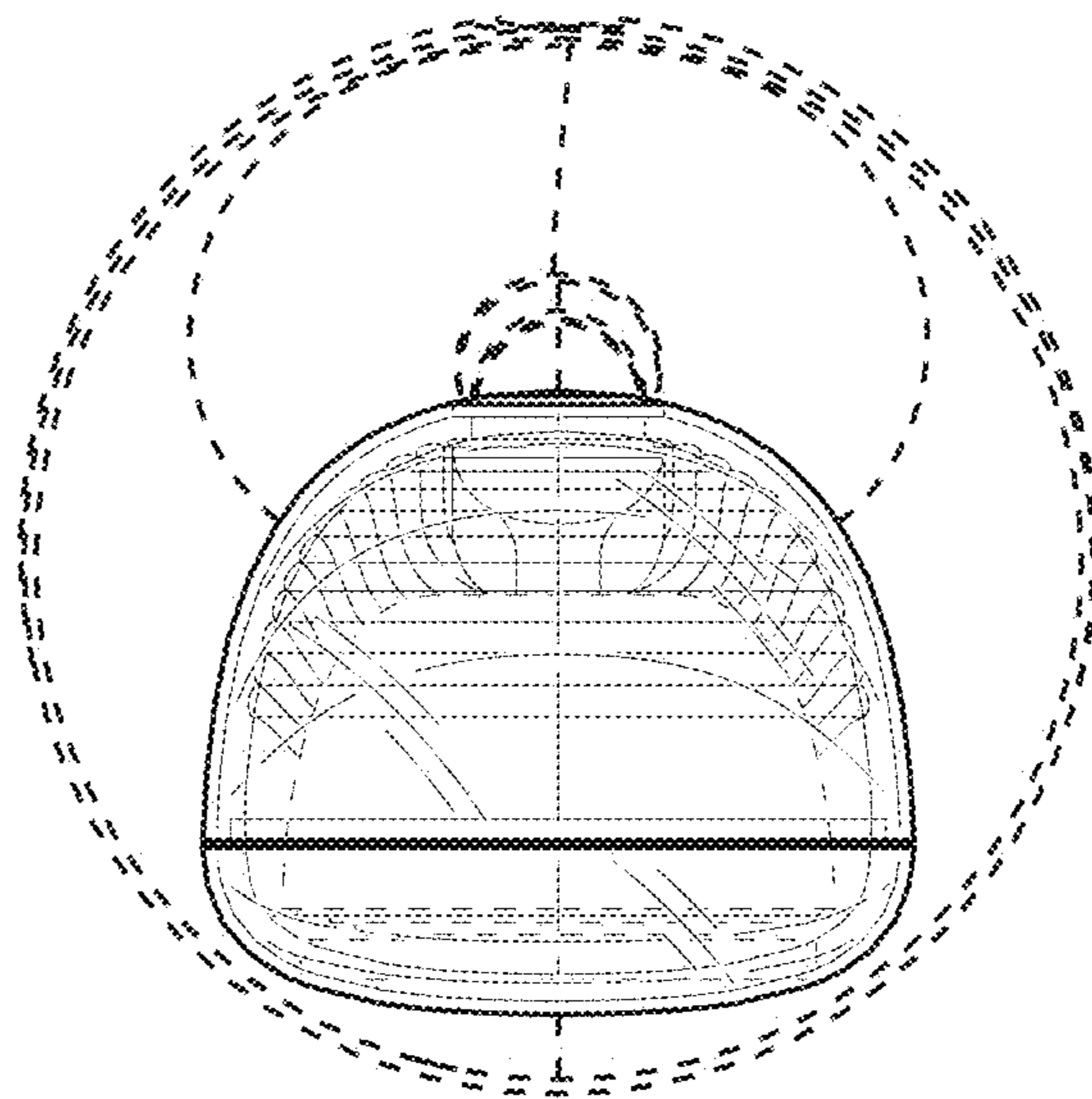


FIG. 6

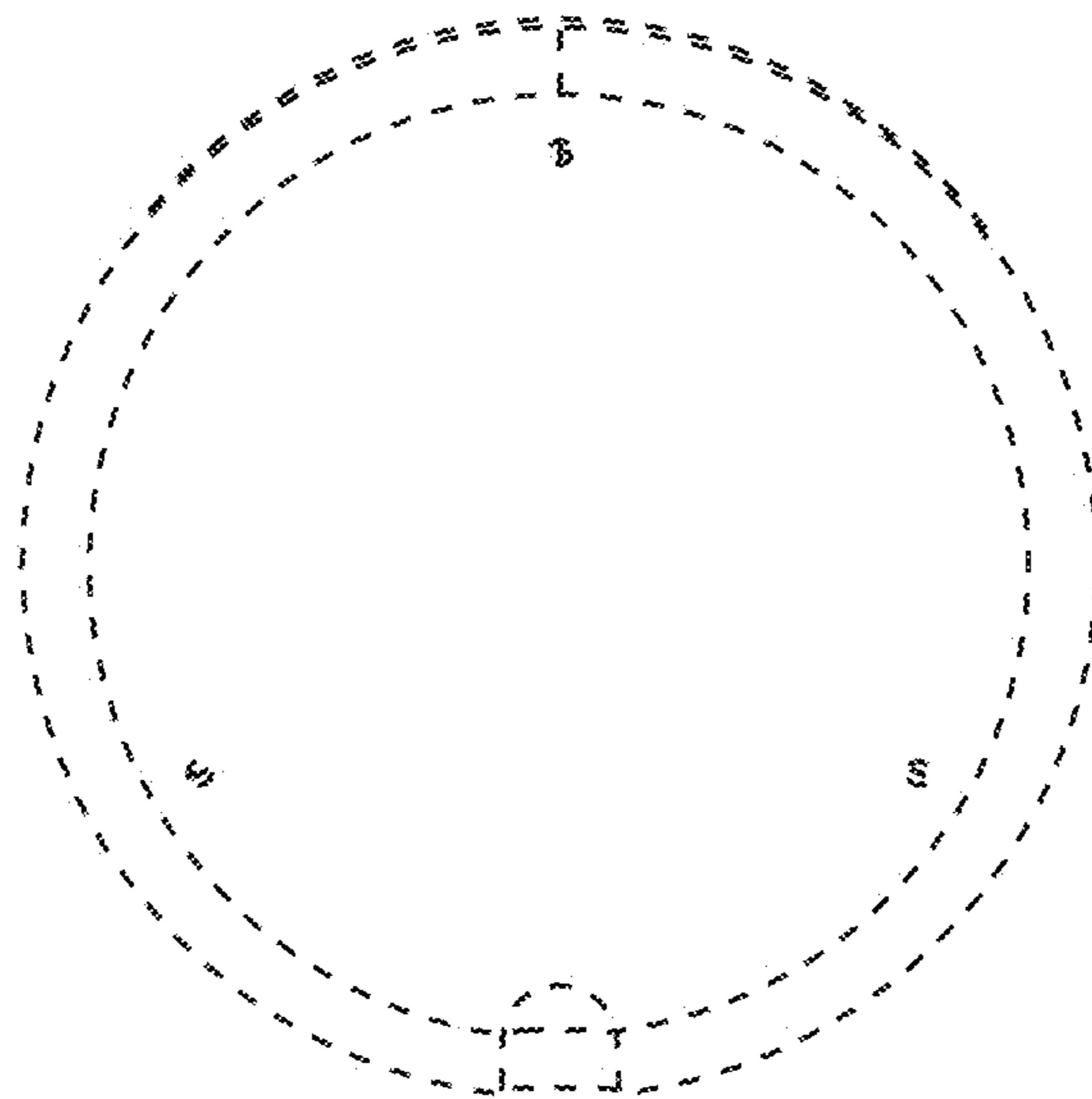


FIG. 7