



US00D972524S

(12) **United States Design Patent** (10) **Patent No.:** **US D972,524 S**
Kim et al. (45) **Date of Patent:** **** Dec. 13, 2022**

(54) **LOUDSPEAKER** 2430/03; H04R 2420/09; H04R 7/045;
H04R 1/2811; H04R 2410/05; H04R
1/1025;

(71) Applicant: **Harman International Industries, Incorporated**, Northridge, CA (US)

(Continued)

(72) Inventors: **Young Wan Kim**, Shenzhen (CN);
Alexander Demin, Shenzhen (CN);
Ondrej Vaclavik, Shenzhen (CN)

(56) **References Cited**

U.S. PATENT DOCUMENTS

(73) Assignee: **Harman International Industries, Incorporated**, Northridge, CA (US)

D451,494 S * 12/2001 Oikawa D14/214
7,319,767 B2 * 1/2008 Fidlin H04S 7/308
381/334

(Continued)

(**) Term: **15 Years**

OTHER PUBLICATIONS

(21) Appl. No.: **29/699,872**

Design U.S. Appl. No. 29/719,246, filed Jan. 2, 2020.

(22) Filed: **Jul. 30, 2019**

(Continued)

(51) **LOC (13) Cl.** **14-03**

(52) **U.S. Cl.**

USPC **D14/204**

(58) **Field of Classification Search**

USPC D14/167, 168, 170–172, 188, 194–196,
D14/204, 209.1, 210–216, 219, 221, 222,
D14/224, 239, 496

CPC H04R 2420/07; H04R 3/005; H04R
2499/11; H04R 5/04; H04R 1/1041;
H04R 3/12; H04R 3/00; H04R 1/028;
H04R 27/00; H04R 3/04; H04R 1/1016;
H04R 5/02; H04R 2499/13; H04R 5/033;
H04R 1/025; H04R 1/406; H04R
2430/01; H04R 9/06; H04R 2499/15;
H04R 1/1083; H04R 25/554; H04R
29/001; H04R 1/02; H04R 9/025; H04R
1/1008; H04R 2227/005; H04R 1/403;
H04R 17/00; H04R 2227/003; H04R
2460/13; H04R 1/1091; H04R 2201/107;
H04R 1/345; H04R 25/505; H04R 1/026;
H04R 1/105; H04R 1/08; H04R 1/26;
H04R 29/00; H04R 25/70; H04R
2201/401; H04R 1/023; H04R 2460/01;
H04R 3/02; H04R 1/1075; H04R 1/1066;
H04R 2430/20; H04R 1/24; H04R
5/0335; H04R 2225/43; H04R 2225/55;
H04R 1/1058; H04R 3/007; H04R

Primary Examiner — Khawaja Anwar
(74) *Attorney, Agent, or Firm* — Plumsea Law Group,
LLC

(57) **CLAIM**

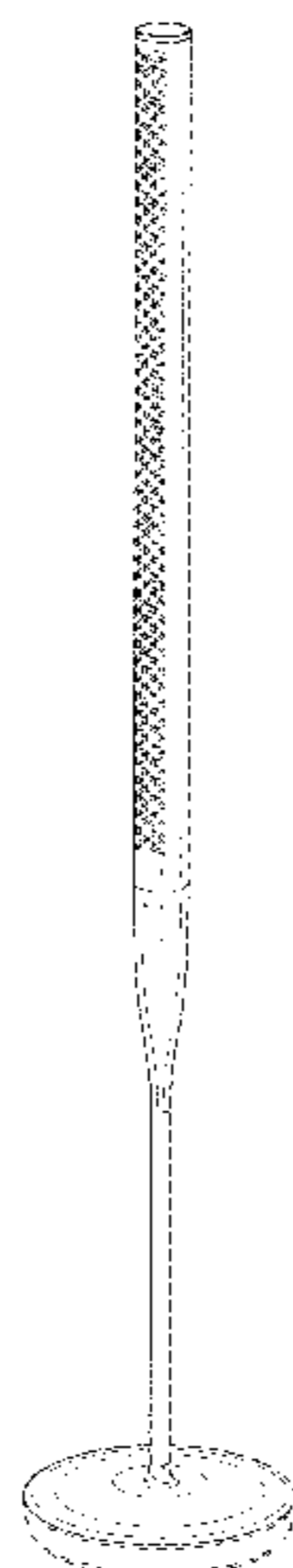
The ornamental design for a loudspeaker, as shown and described.

DESCRIPTION

FIG. 1 is a top perspective view of a loudspeaker showing the new design;
FIG. 2 is a front elevational view thereof;
FIG. 3 is a rear elevational view thereof;
FIG. 4 is a side elevational view thereof;
FIG. 5 is an opposite side elevational view thereof;
FIG. 6 is a top view thereof; and,
FIG. 7 is a bottom view thereof.

The broken lines and unshaded areas in the figures illustrate portions of the design that form no part of the claimed design. The shading is provided merely to represent contours of the design and does not connote the character of the

(Continued)



surfaces such as any specific texture, material, gloss, translucence, transparency, surface treatment, or surface decoration.

1 Claim, 7 Drawing Sheets

(58) Field of Classification Search

CPC H04R 25/552; H04R 5/027; H04R 25/606; H04R 1/1033; H04R 25/407; H04R 7/04; H04R 25/558; H04R 2420/01; H04R 3/002; H04R 1/10; H04R 31/006; H04R 2400/11; H04R 1/021; H04R 29/004; H04R 2201/003; H04R 1/04; H04R 3/14; H04R 2201/021; H04R 2420/05; H04R 2225/41; H04R 31/00; H04R 1/323; H04R 31/003; H04R 2460/03; H04R 2420/03; H04R 1/06; H04R 7/18; H04R 1/083; H04R 2201/023; H04R 19/005; H04R 1/30; H04R 1/288; H04R 19/04; H04R 2201/403; H04R 2400/03; H04R 29/007; H04R 2460/07; H04R 2225/61; H04R 1/2834; H04R 2225/025; H04R 7/12; H04R 2201/028; H04R 9/045; H04R 5/023; H04R 7/20; H04R 25/453; H04R 9/02; H04R 2205/024; H04R 9/063; H04R 25/604; H04R 29/008; H04R 1/2803; H04R 25/30; H04R 25/652; H04R 19/02; H04R 2203/12; H04R 25/00; H04R 25/43; H04R 2430/23; H04R 2225/51; H04R 2205/021; H04R 2205/022; H04R 25/65; H04R 29/005; H04R 1/2857; H04R 1/2819; H04R 25/602; H04R 11/02; H04R 1/00; H04R 1/326; H04R 2217/03; H04R 1/086; H04R 9/022; H04R 1/2826; H04R 25/305; H04R 2201/025; H04R 2307/025; H04R 25/603; H04R 9/046; H04R 25/658; H04R 1/22; H04R 29/002; H04R 25/405; H04R 7/127; H04R 2225/31; H04R 2410/07; H04R 17/005; H04R 2460/11; H04R 1/2842; H04R 9/043; H04R 2201/029; H04R 2225/67; H04R 1/44; H04R 1/46; H04R 25/60; H04R 2440/05; H04R 1/2888; H04R 2460/17; H04R 2225/023; H04R 7/16; H04R 9/066; H04R 2410/01; H04R 25/656; H04R 25/356; H04R 7/10; H04R 25/50; H04R 25/609; H04R 17/02; H04R 5/00; H04R 2225/0216; H04R 7/06; H04R 9/04; H04R 2460/15; H04R 2430/21; H04R 7/02; H04R 2307/029; H04R 25/607; H04R 25/55; H04R 11/00; H04R 1/227; H04R 1/342; H04R 2460/09; H04R 9/047; H04R 1/28; H04R 2225/021; H04R 25/353; H04R 2307/207; H04R 1/2896; H04R 29/003; H04R 2209/022; H04R 23/008; H04R 2201/103; H04R 2307/023; H04R 2225/39; H04R 7/125; H04R 25/02; H04R 7/122; H04R

7/14; H04R 2307/027; H04R 25/456; H04R 25/75; H04R 25/654; H04R 1/40; H04R 2430/25; H04R 1/34; H04R 2400/01; H04R 2201/109; H04R 2201/34; H04R 2410/00; H04R 25/556; H04R 2225/49; H04R 1/2873; H04R 2225/0213; H04R 23/00; H04R 1/2849; H04R 2227/009; H04R 1/2807; H04R 2205/041; H04R 1/005; H04R 1/20; H04R 2460/05; H04R 2209/024; H04R 2225/57; H04R 2225/33; H04R 1/222; H04R 1/2865; H04R 1/32; H04R 2227/001; H04R 3/08; H04R 2227/007; H04R 1/2876; H04R 7/26; H04R 2209/041; H04R 2400/00; H04R 1/38; H04R 2307/204; H04R 25/48; H04R 29/006; H04R 2307/021
See application file for complete search history.

(56)

References Cited

U.S. PATENT DOCUMENTS

D562,307	S	*	2/2008	Warden	D14/211
D578,103	S	*	10/2008	Matsuoka	D14/211
D585,875	S	*	2/2009	Matsuoka	D14/211
D596,157	S	*	7/2009	Warden	D14/214
D636,379	S	*	4/2011	Kim	D14/211
D656,485	S	*	3/2012	Lee	D14/211
D658,159	S		4/2012	Janky et al.		
D681,606	S		5/2013	Nishii et al.		
D683,330	S	*	5/2013	Ryu	D14/209.1
D716,266	S	*	10/2014	Kim	D14/215
D738,351	S		9/2015	Park et al.		
D754,100	S		4/2016	McManigal		
D759,624	S		6/2016	Byrd et al.		
D765,054	S		8/2016	Bast		
D766,211	S	*	9/2016	Choi	D14/216
D768,603	S		10/2016	Kim et al.		
D785,596	S		5/2017	Lewis et al.		
D788,065	S	*	5/2017	Sabatino	D14/188
D797,078	S		9/2017	Nugent et al.		
D811,367	S		2/2018	Vaclavik et al.		
D818,455	S		5/2018	McManigal et al.		
D828,323	S		9/2018	Demin et al.		
D828,325	S		9/2018	Walker et al.		
D832,236	S		10/2018	Nugent et al.		
D836,082	S		12/2018	McManigal et al.		
D837,762	S		1/2019	Demin et al.		
D841,623	S		2/2019	Nugent et al.		
D845,269	S		4/2019	Yang et al.		
D851,633	S		6/2019	Nakano et al.		
D853,354	S		7/2019	Demin		
D854,516	S		7/2019	Usuru		
D868,726	S		12/2019	Kim et al.		
D874,433	S		2/2020	Boerner		
D878,333	S		3/2020	Vaclavik et al.		
D884,672	S		5/2020	Nugent et al.		
D886,799	S		6/2020	Yang et al.		
D890,119	S		7/2020	Demin et al.		
D909,331	S		2/2021	Sretovic		

OTHER PUBLICATIONS

Design U.S. Appl. No. 29/630,601, filed Dec. 21, 2017.
Design U.S. Appl. No. 29/663,238, filed Sep. 13, 2018.
Design U.S. Appl. No. 29/664,257, filed Sep. 24, 2018.

* cited by examiner

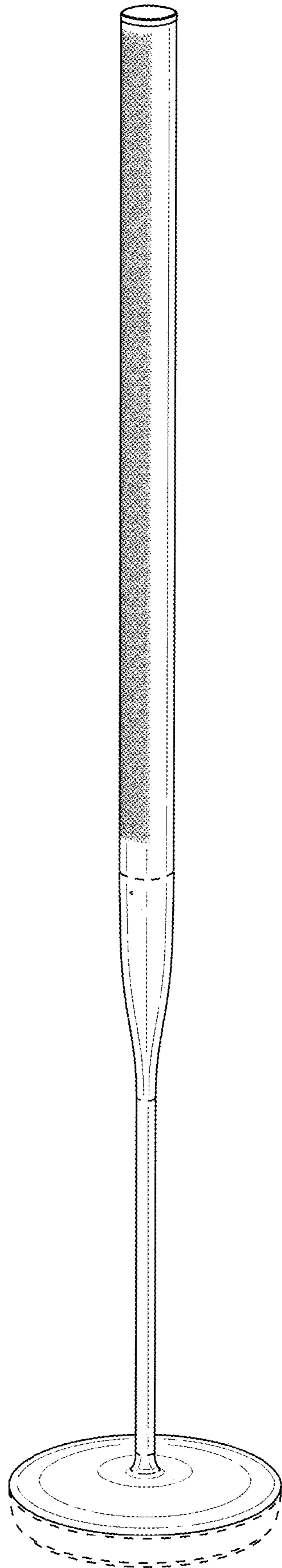


FIG. 1

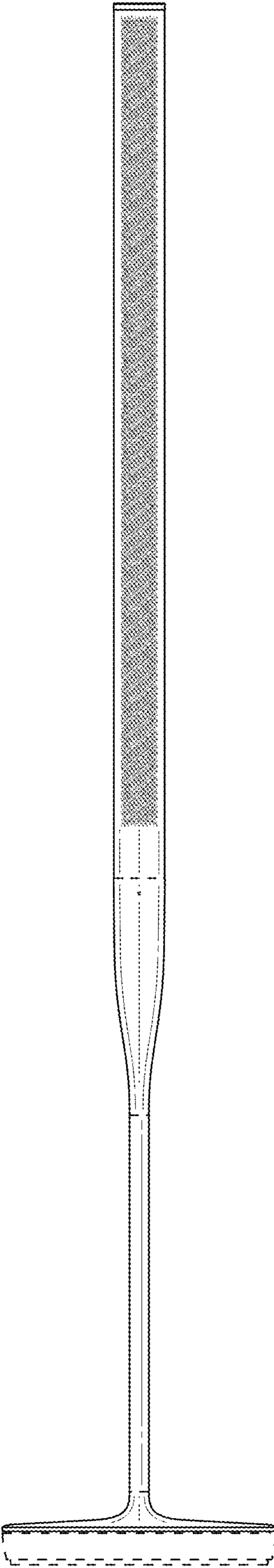


FIG. 2

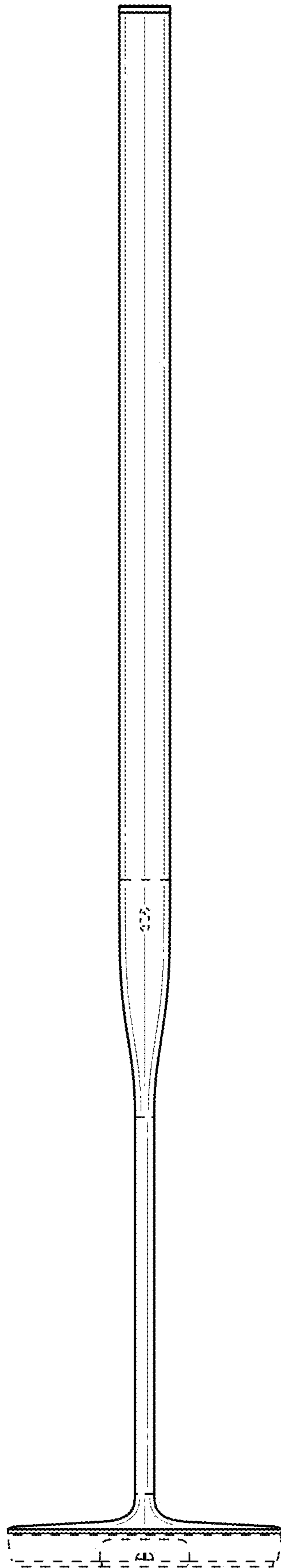


FIG. 3

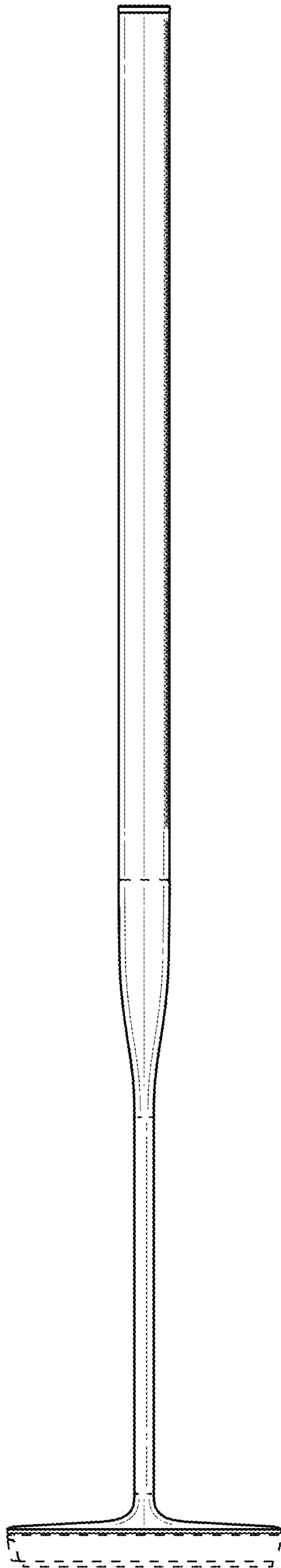


FIG. 4

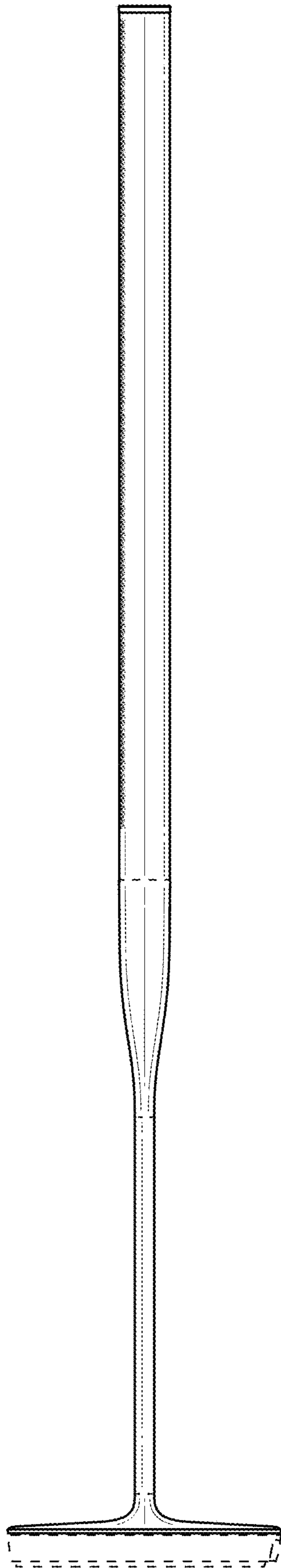


FIG. 5

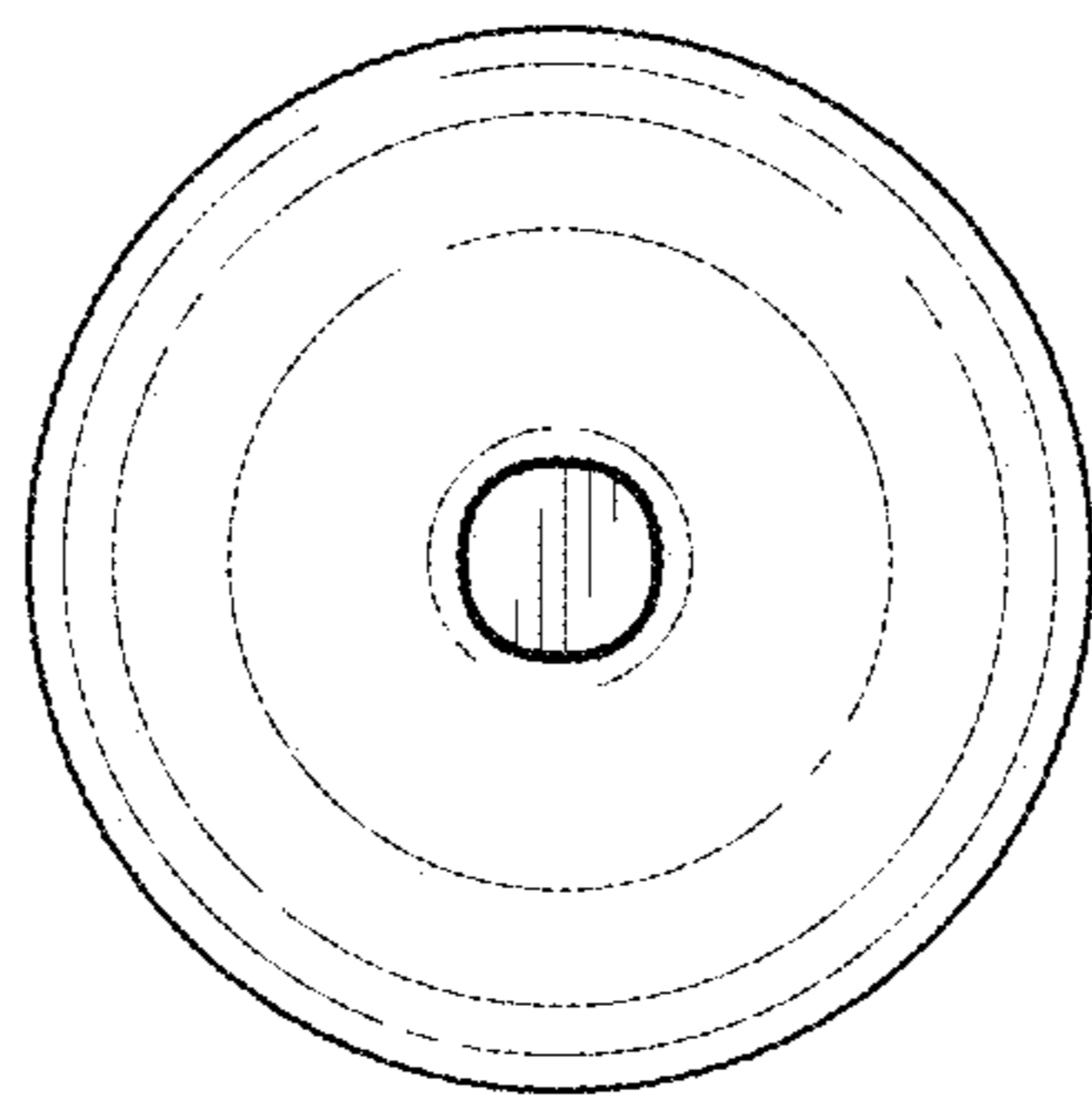


FIG. 6

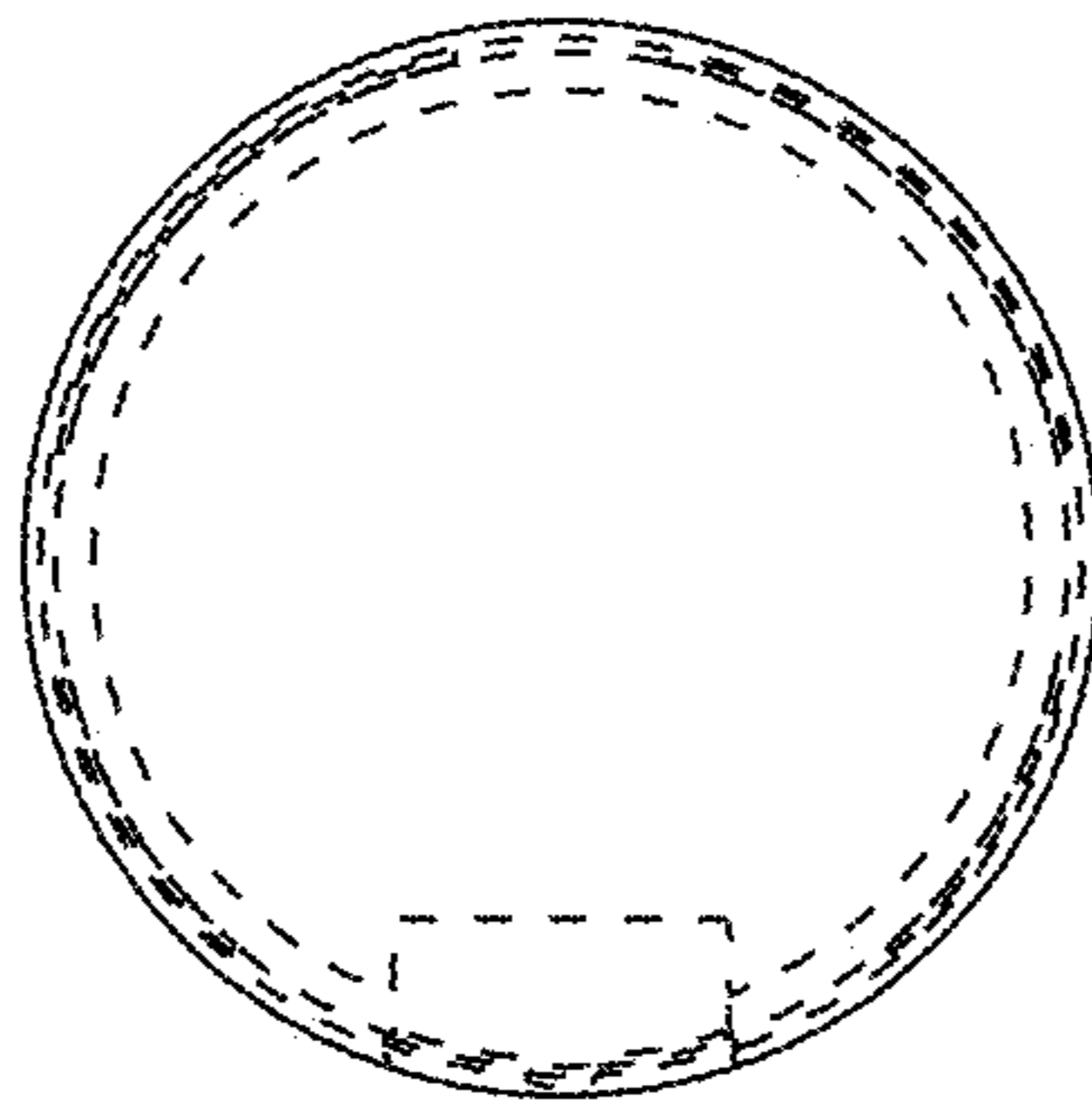


FIG. 7