



US00D972519S

(12) **United States Design Patent**
Kim et al.

(10) **Patent No.:** **US D972,519 S**
(45) **Date of Patent:** **** Dec. 13, 2022**

(54) **TELEVISION RECEIVER**

(71) Applicant: **LG ELECTRONICS INC.**, Seoul
(KR)

(72) Inventors: **Min Kim**, Seoul (KR); **Sangho Lee**,
Seoul (KR); **Myungwhoon Lee**, Seoul
(KR); **Hyounghwon Kim**, Seoul (KR)

(73) Assignee: **LG ELECTRONICS INC.**, Seoul
(KR)

(**) Term: **15 Years**

(21) Appl. No.: **35/512,485**

(22) Filed: **Mar. 2, 2021**

(80) **Hague Agreement Data**

Int. Filing Date: **Mar. 2, 2021**

Int. Reg. No.: **DM/213363**

Int. Reg. Date: **Mar. 2, 2021**

Int. Reg. Pub. Date: **Sep. 3, 2021**

(30) **Foreign Application Priority Data**

Sep. 10, 2020 (KR) 30-2020-0043162

(51) **LOC (13) Cl.** **14-03**

(52) **U.S. Cl.**
USPC **D14/126**

(58) **Field of Classification Search**

USPC D14/125-129, 132, 203.3, 203.7, 300,
D14/308, 310, 336, 341, 371, 372-380

CPC G06F 1/1601; G06F 1/1605; G06F 1/162
See application file for complete search history.

(56) **References Cited**

U.S. PATENT DOCUMENTS

D663,728 S * 7/2012 Chen D14/374

D754,086 S * 4/2016 Valeur D14/126

D758,332 S * 6/2016 Won D14/126

D760,718 S * 7/2016 Wallace D14/374

D774,484 S * 12/2016 Han D14/126
D775,094 S * 12/2016 Kim D14/126
D816,630 S * 5/2018 Lee D14/126
D826,886 S * 8/2018 Cha D14/126

(Continued)

OTHER PUBLICATIONS

LG OLED E9 vs OLED E8 Review, publication date Aug. 20, 2019,
[online] URL: <https://www.oledtvcomparison.com/lg-oled-e9-vs-oled-e8-review-oled55e9-vs-oled55e8-oled65e9-vs-oled65e8/>
(Year: 2019).*

Primary Examiner — L. A. Grabenstetter

(74) *Attorney, Agent, or Firm* — Birch, Stewart, Kolasch
& Birch, LLP

(57) **CLAIM**

The ornamental design for a television receiver, as shown
and described.

DESCRIPTION

1. Television receiver

1.1 : Front perspective view

1.2 : Rear perspective view

1.3 : Front view

1.4 : Rear view

1.5 : Left view

1.6 : Right view

1.7 : Top view

1.8 : Bottom view

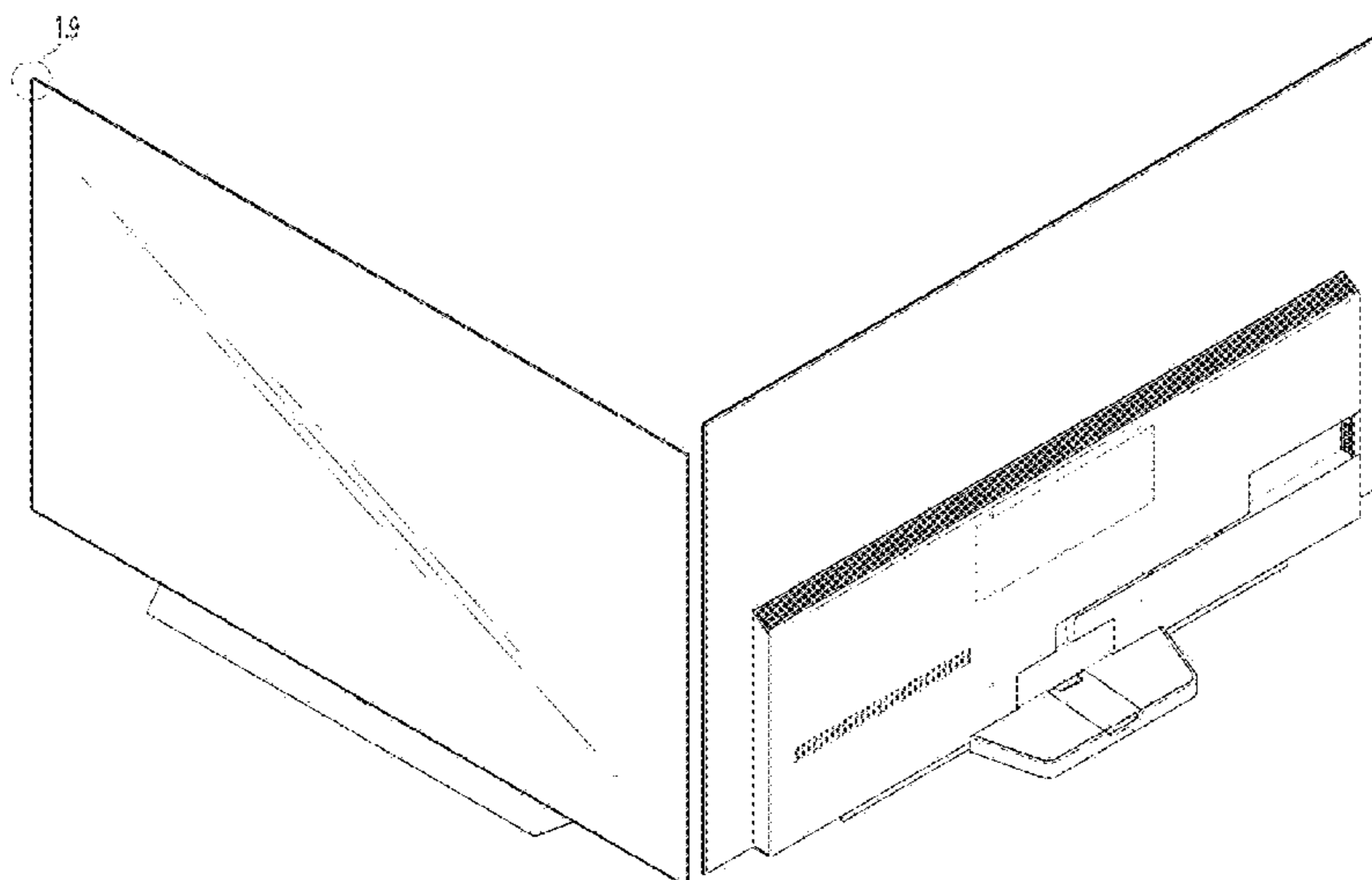
1.9 : Partial enlarged front perspective view, taken from
circle 1.9 in reproduction 1.1

1.10 : Partial enlarged front view, taken from circle 1.10 in
reproduction 1.3

1.11 : Partial enlarged right view, taken from square 1.11 in
reproduction 1.6

The dash-dash broken lines depict portions of the television
receiver that form no part of the claimed design. The
dot-dash broken lines in reproductions 1.1, 1.3, 1.6, 1.9,
1.10, and 1.11 are included for the purpose of illustrating the
partial enlargements and form no part of the claimed design.

1 Claim, 11 Drawing Sheets



(56)

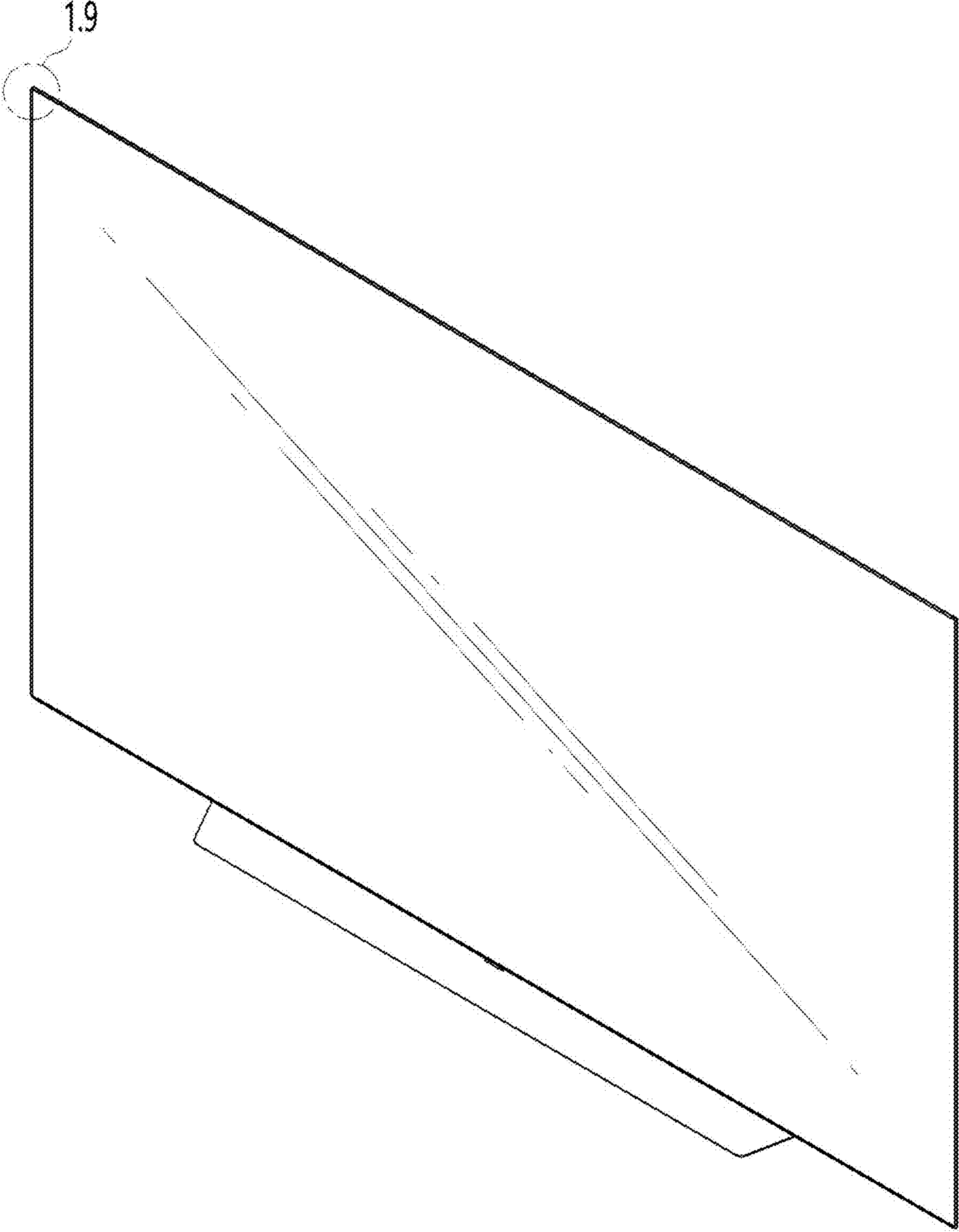
References Cited

U.S. PATENT DOCUMENTS

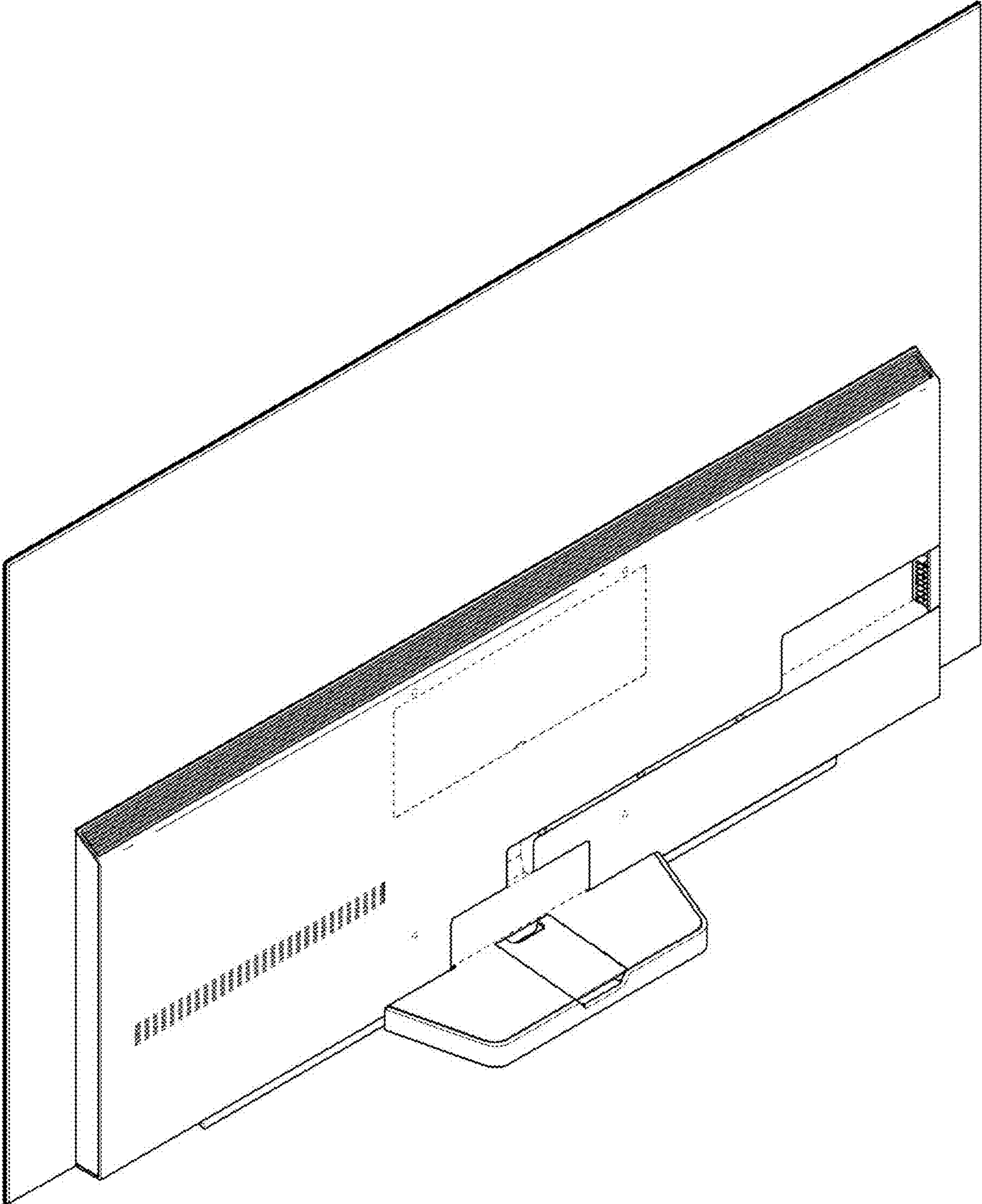
D835,059	S	*	12/2018	Kim	D14/126
D836,582	S	*	12/2018	Cha	D14/126
D836,586	S	*	12/2018	Cha	D14/126
D836,587	S	*	12/2018	Cha	D14/126
D837,758	S	*	1/2019	Kim	D14/126
D852,156	S	*	6/2019	Jeon	D14/126
D894,142	S	*	8/2020	Jung	D14/126
D899,389	S	*	10/2020	Park	D14/126
D900,045	S	*	10/2020	Jung	D14/126
D909,325	S	*	2/2021	Lee	D14/129
D923,595	S	*	6/2021	Jeong	D14/126
D937,796	S	*	12/2021	Kim	G06F 1/18 D14/126
D946,544	S	*	3/2022	Jang	B64D 11/00154 D14/126

* cited by examiner

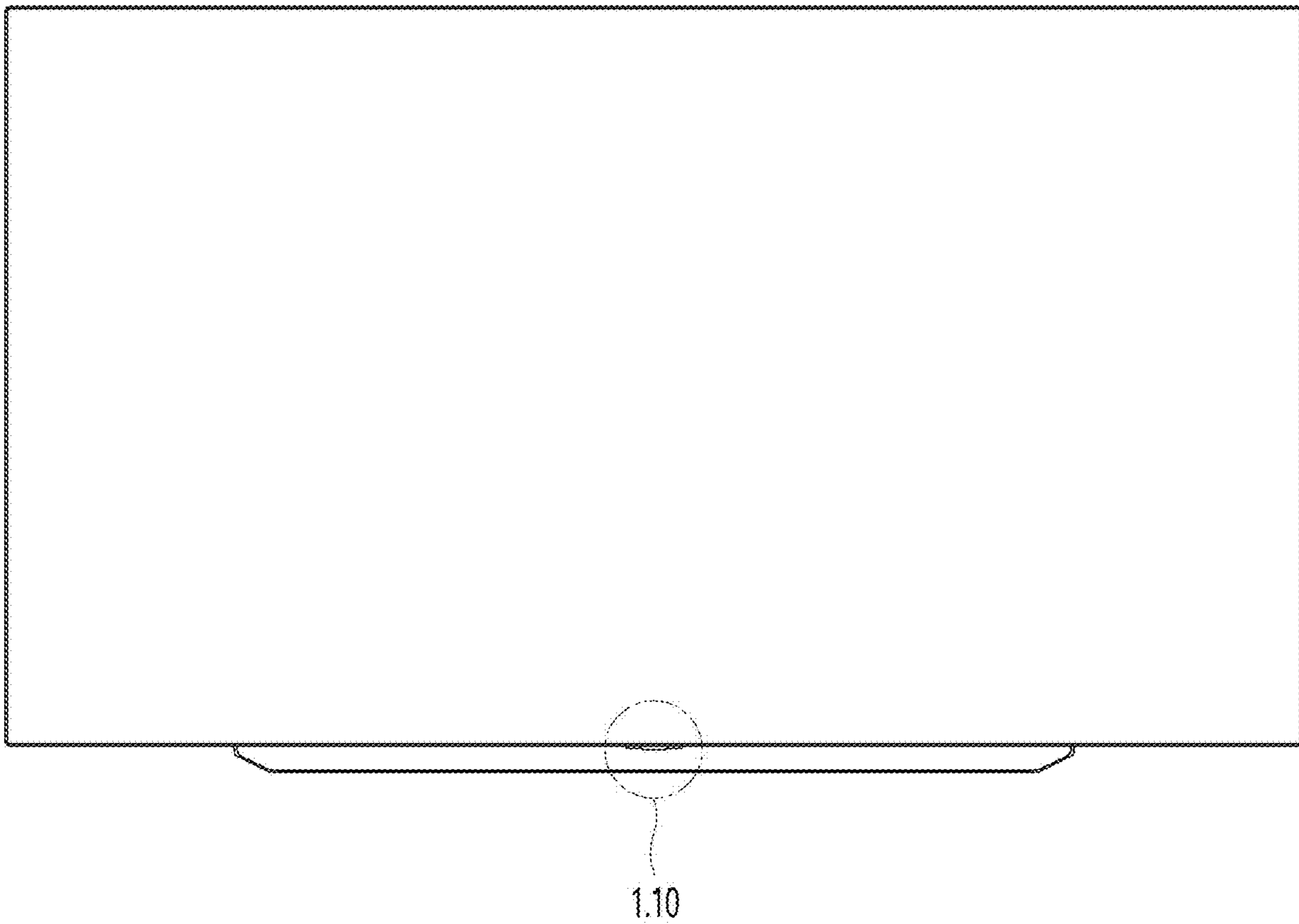
1.1



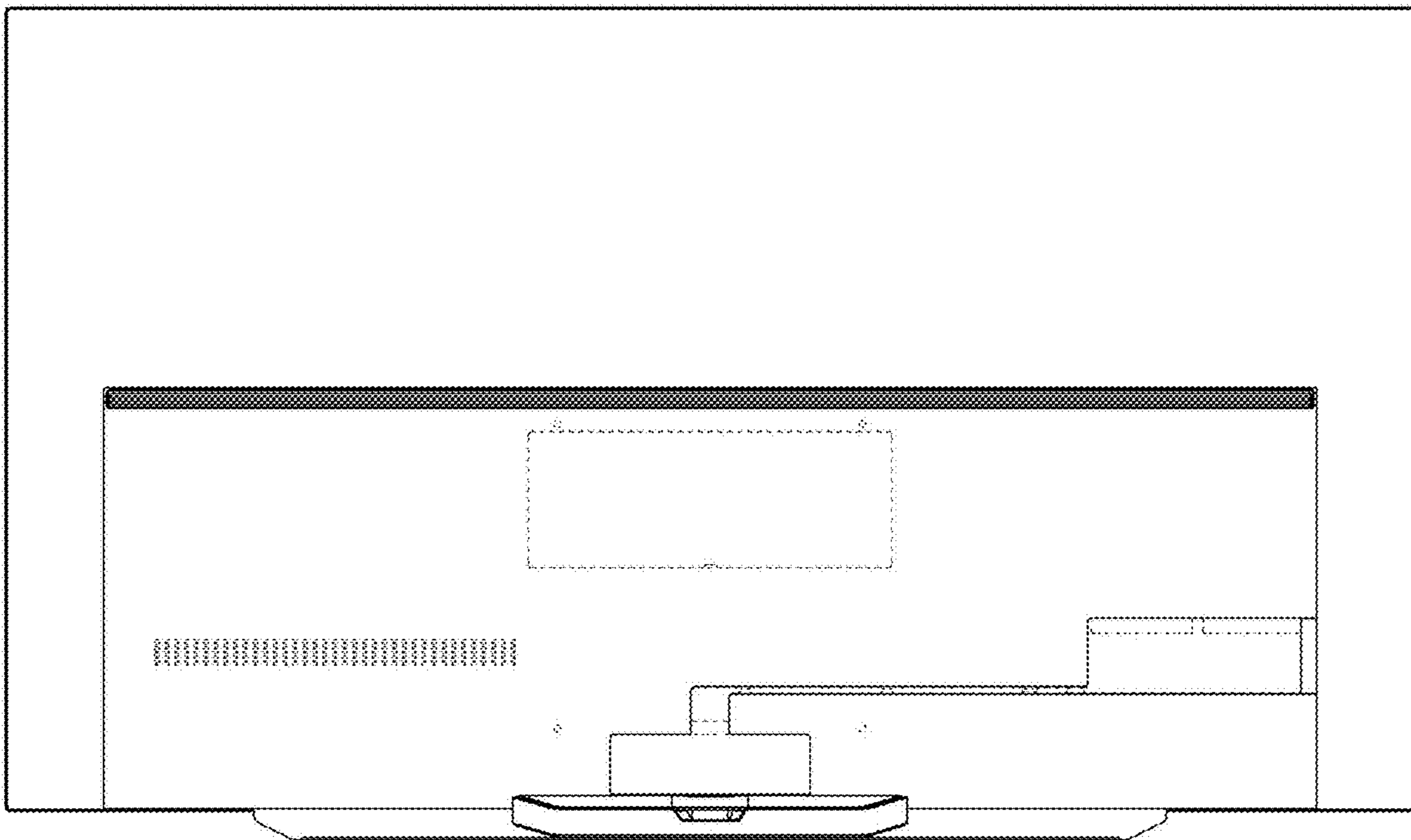
1.2



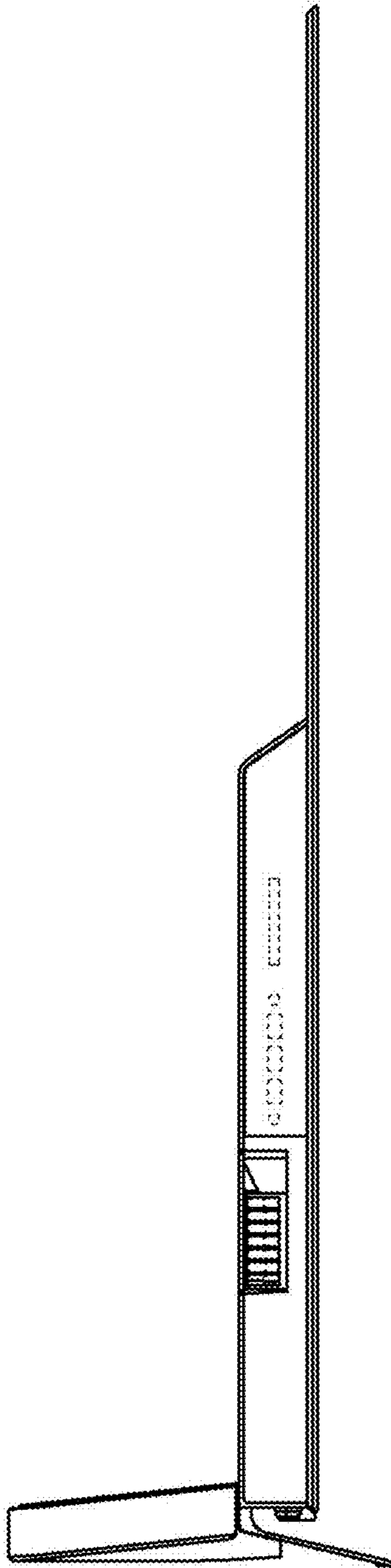
1.3



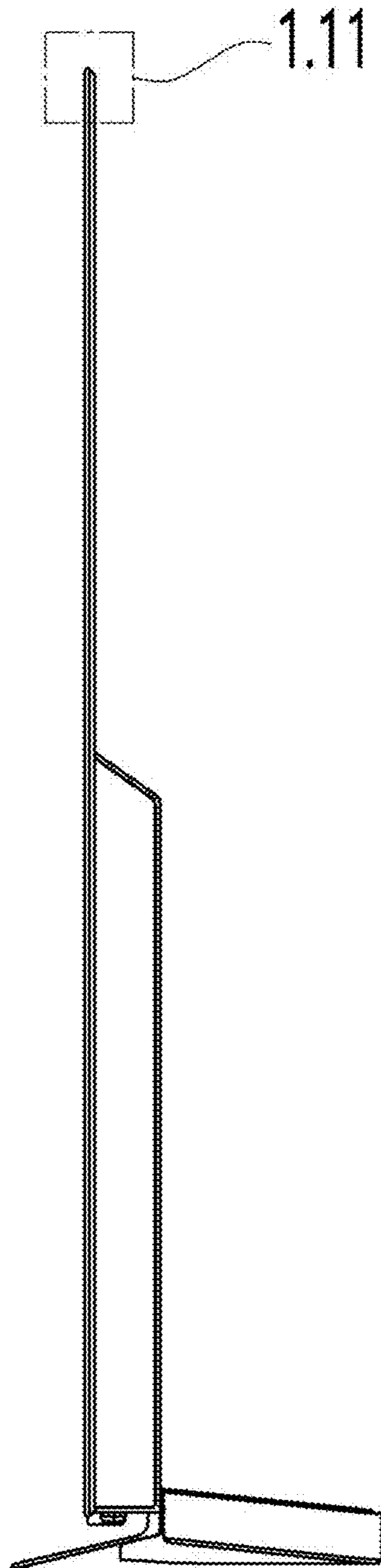
1.4



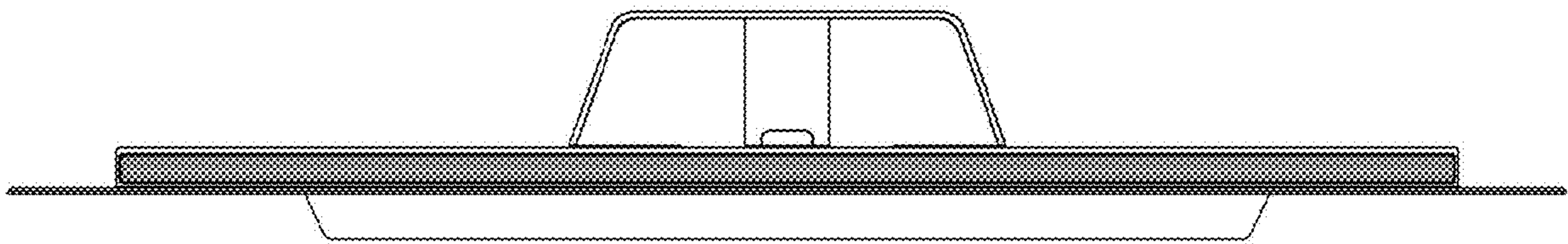
1.5



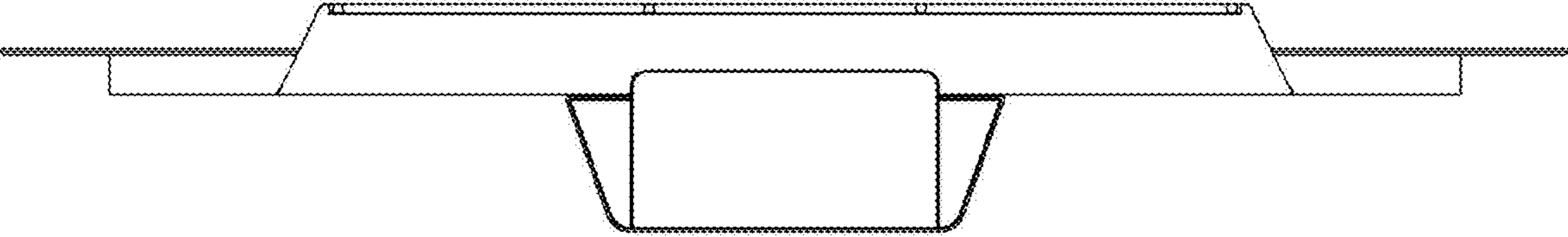
1.6



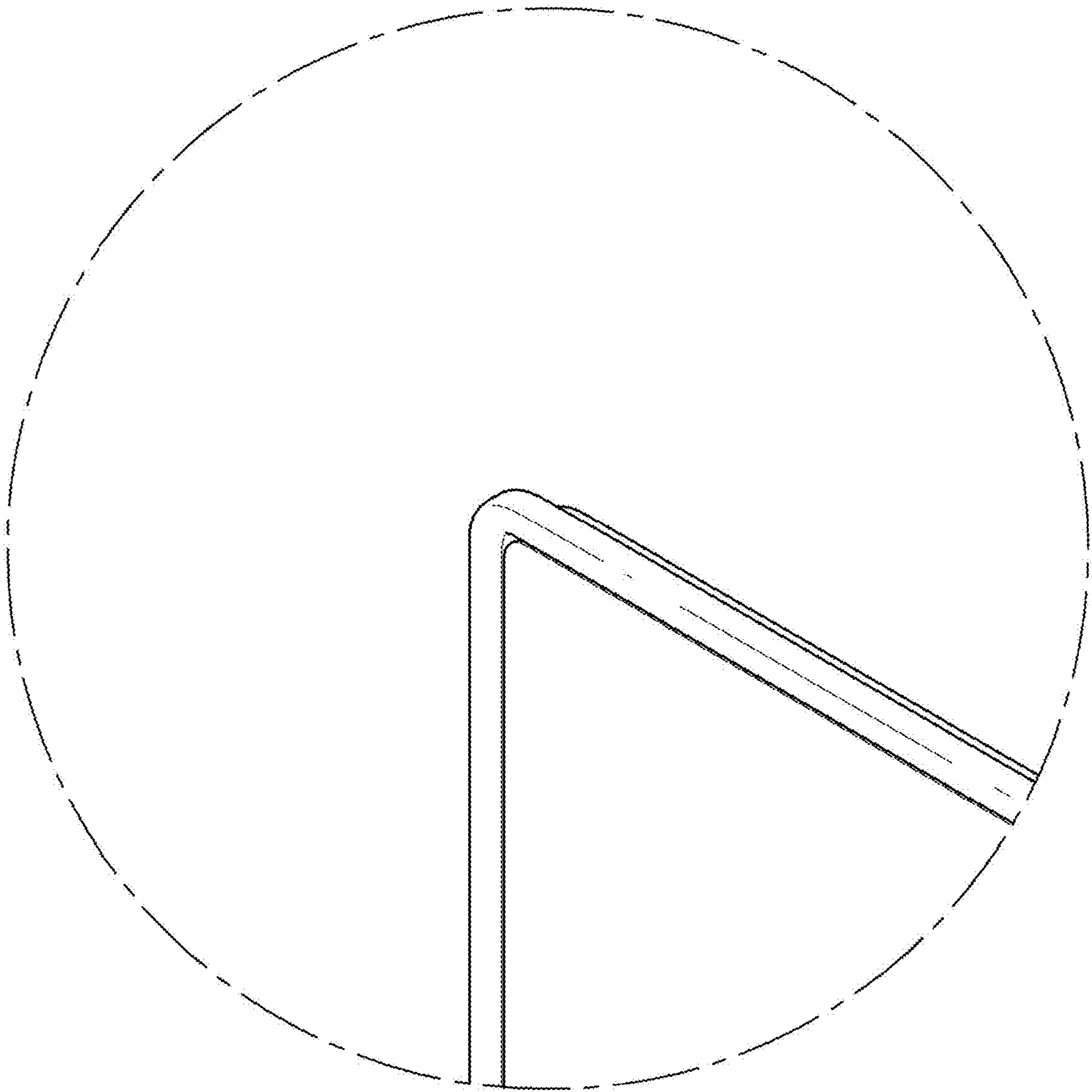
1.7



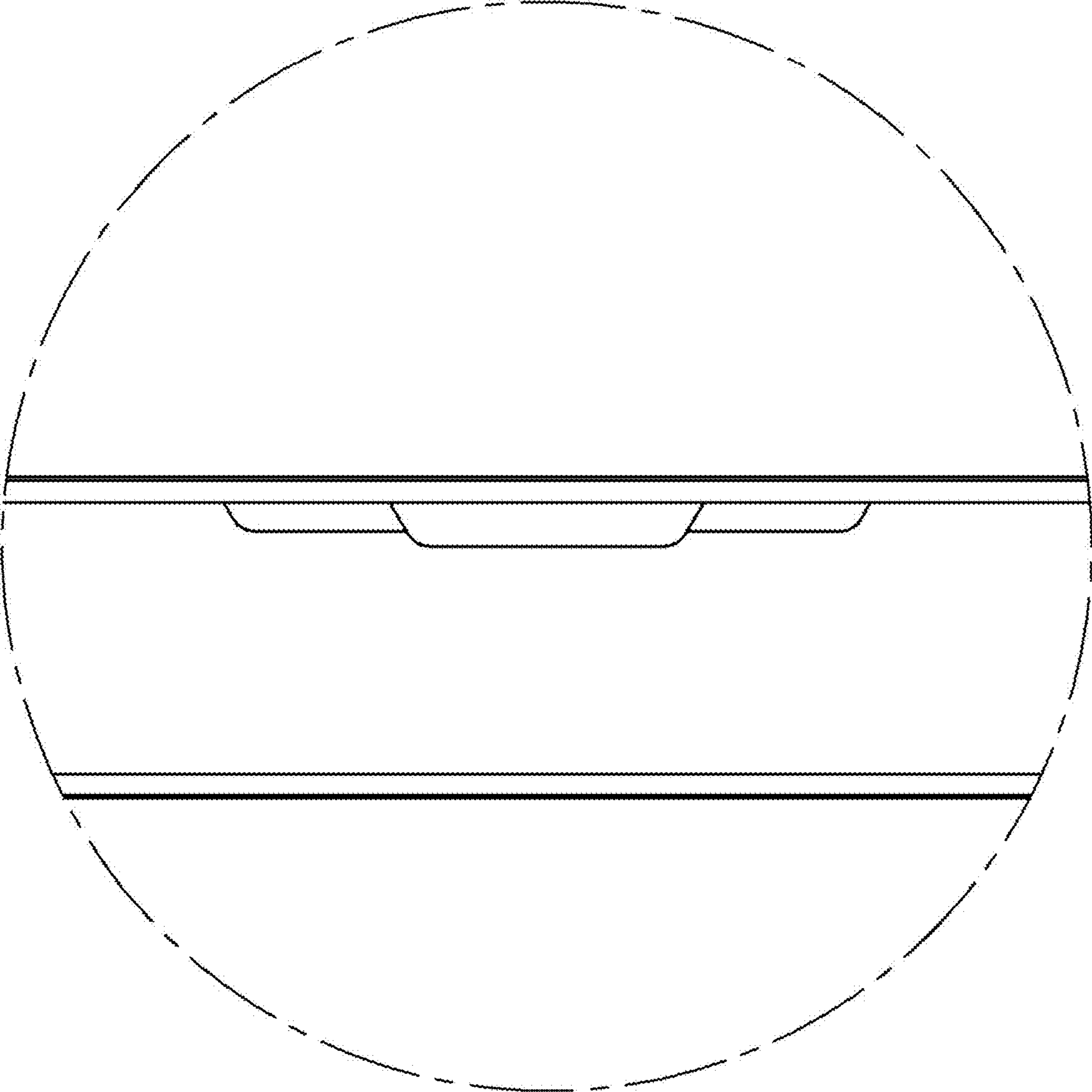
1.8



1.9



1.10



1.11

