



US00D972518S

(12) **United States Design Patent** (10) **Patent No.:** **US D972,518 S**
Kim et al. (45) **Date of Patent:** **** Dec. 13, 2022**

(54) **TELEVISION RECEIVER**

(71) Applicant: **LG ELECTRONICS INC.**, Seoul (KR)
(72) Inventors: **Min Kim**, Seoul (KR); **Sangho Lee**, Seoul (KR); **Hyoungwon Kim**, Seoul (KR); **Myungwhoon Lee**, Seoul (KR)
(73) Assignee: **LG ELECTRONICS INC.**, Seoul (KR)
(**) Term: **15 Years**

(21) Appl. No.: **35/512,483**

(22) Filed: **Mar. 2, 2021**

(80) **Hague Agreement Data**

Int. Filing Date: **Mar. 2, 2021**
Int. Reg. No.: **DM/213364**
Int. Reg. Date: **Mar. 2, 2021**
Int. Reg. Pub. Date: **Sep. 3, 2021**

(30) **Foreign Application Priority Data**

Sep. 10, 2020 (KR) 30-2020-0043159

(51) **LOC (13) Cl.** **14-03**

(52) **U.S. Cl.**
USPC **D14/126**

(58) **Field of Classification Search**

USPC D14/125-129, 132, 203.3, 203.7, 300, D14/308, 310, 336, 341, 371, 372-380
(Continued)

(56) **References Cited**

U.S. PATENT DOCUMENTS

D663,728 S * 7/2012 Chen D14/374
D754,086 S * 4/2016 Valeur D14/126
(Continued)

OTHER PUBLICATIONS

LG OLED E9 vs OLED E8 Review, publication date Aug. 20, 2019, [online] URL: <https://www.oledtvcomparison.com/lg-oled-e9-vs-oled-e8-review-oled55e9-vs-oled55e8-oled65e9-vs-oled65e8/> (Year: 2019).*

Primary Examiner — L. A. Grabenstetter
(74) *Attorney, Agent, or Firm* — Birch, Stewart, Kolasch & Birch, LLP

(57) **CLAIM**

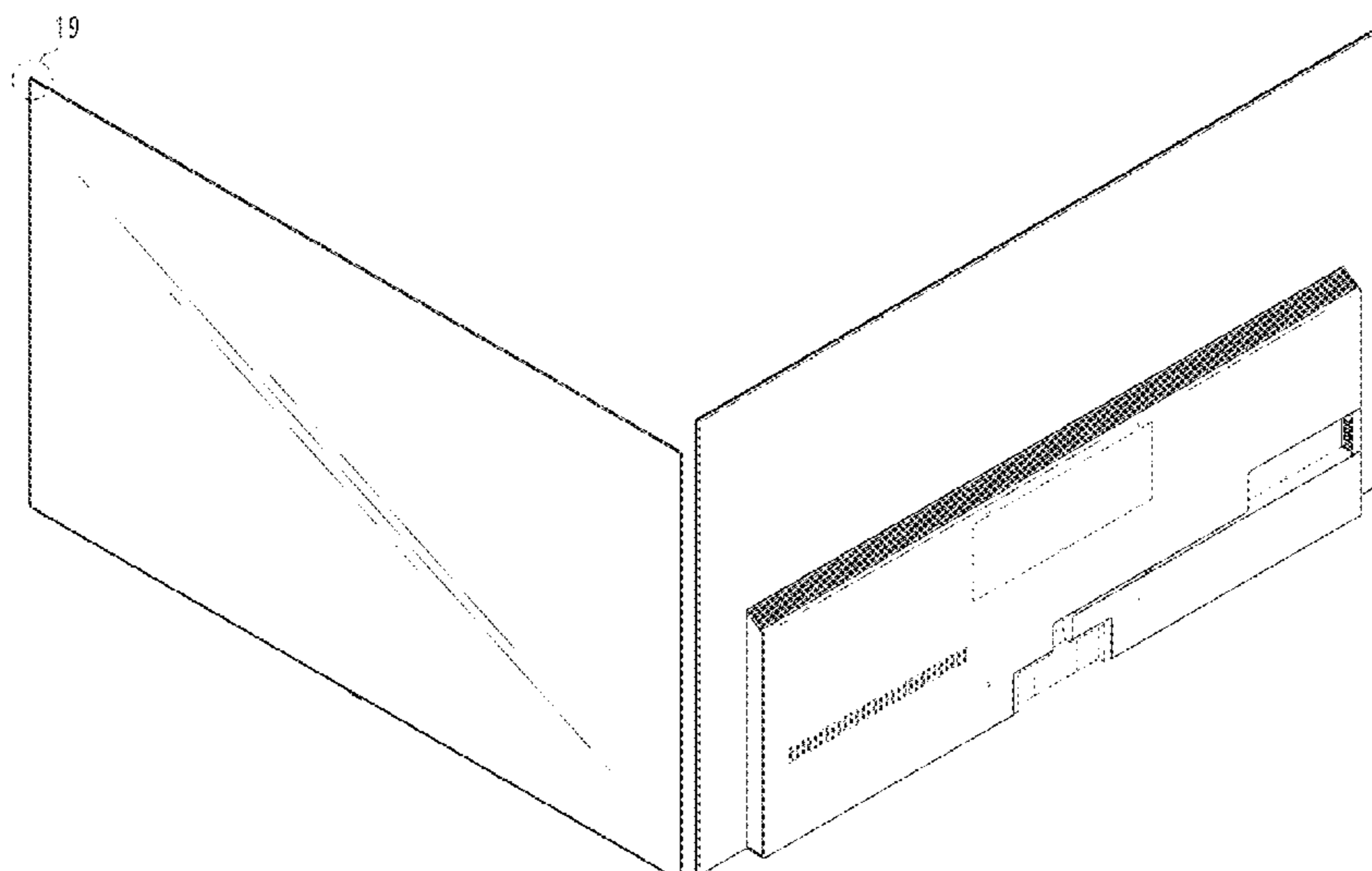
The ornamental design for a television receiver, as shown and described.

DESCRIPTION

- 1. Television receiver
- 1.1 : Front perspective view
- 1.2 : Rear perspective view
- 1.3 : Front view
- 1.4 : Rear view
- 1.5 : Left view
- 1.6 : Right view
- 1.7 : Top view
- 1.8 : Bottom view
- 1.9 : Partial enlarged front perspective view, taken from circle 1.9 in reproduction 1.1
- 1.10 : Partial enlarged front view, taken from circle 1.10 in reproduction 1.3
- 1.11 : Partial enlarged right view, taken from square 1.11 in reproduction 1.6

The present design is characterized by having a slim aesthetic by having the rear part flatly coupled to the thin display unit and including ventilation holes formed in the upper inclined rear, terminal located on the side, and a cable connection path leading to the center direction; the dash-dash broken lines depict portions of the television receiver that form no part of the claimed design. The dot-dash broken lines in reproductions 1.1, 1.3, 1.6, 1.9, 1.10, and 1.11 are included for the purpose of illustrating the partial enlargements and form no part of the claimed design.

1 Claim, 11 Drawing Sheets



(58) **Field of Classification Search**

CPC G06F 1/1601; G06F 1/1605; G06F 1/162
See application file for complete search history.

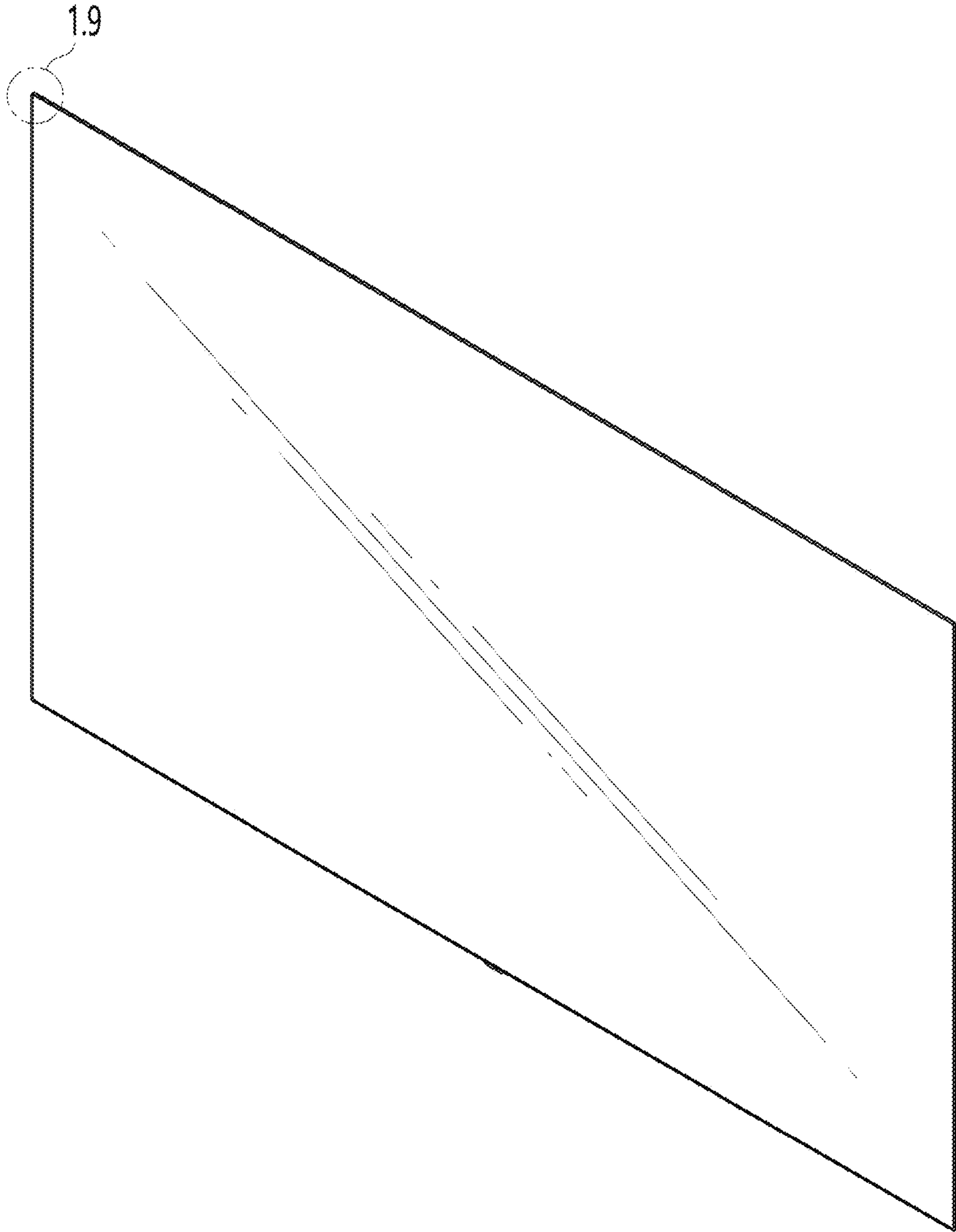
(56) **References Cited**

U.S. PATENT DOCUMENTS

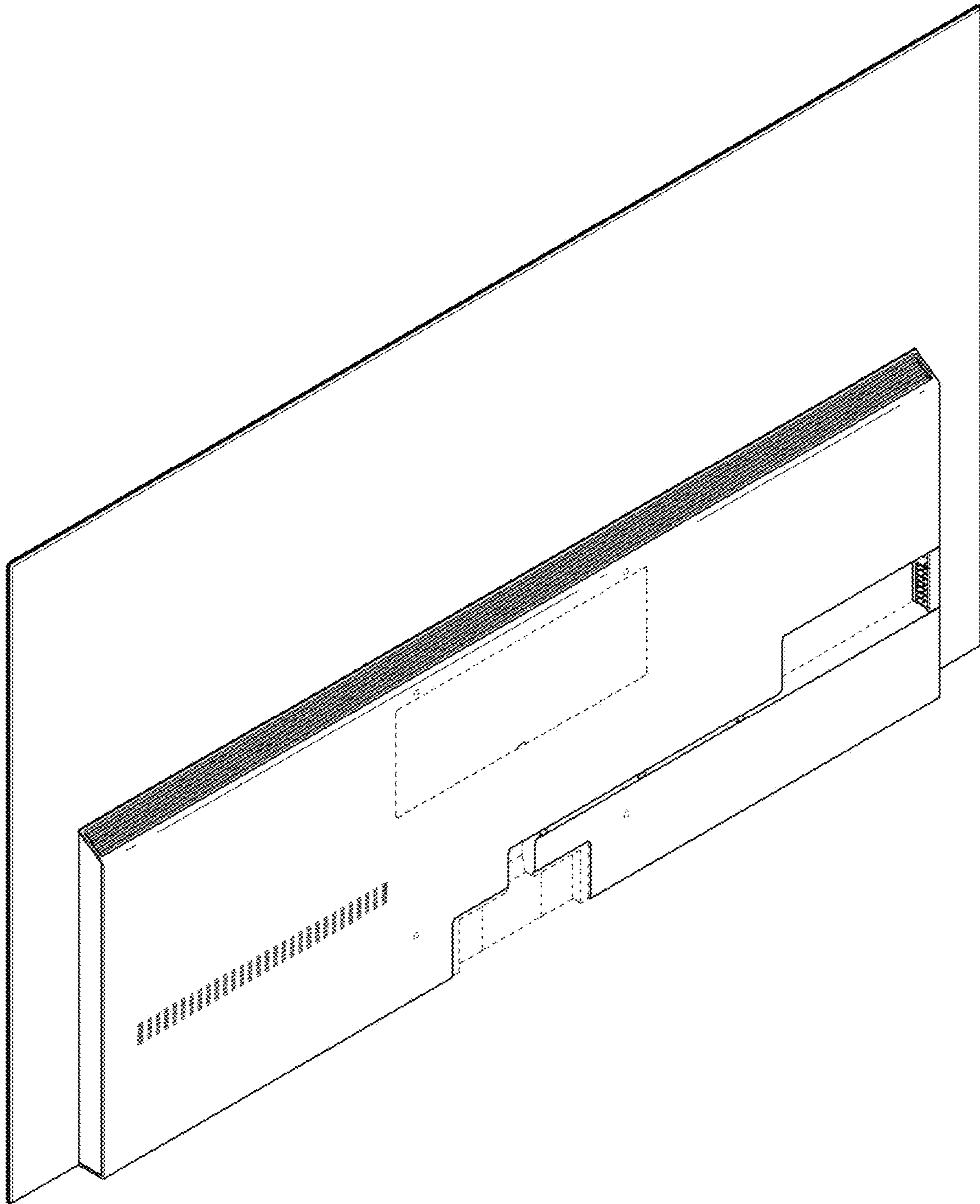
D758,332	S	*	6/2016	Won	D14/126
D760,718	S	*	7/2016	Wallace	D14/374
D774,484	S	*	12/2016	Han	D14/126
D775,094	S	*	12/2016	Kim	D14/126
D816,630	S	*	5/2018	Lee	D14/126
D826,886	S	*	8/2018	Cha	D14/126
D835,059	S	*	12/2018	Kim	D14/126
D836,582	S	*	12/2018	Cha	D14/126
D836,586	S	*	12/2018	Cha	D14/126
D836,587	S	*	12/2018	Cha	D14/126
D837,758	S	*	1/2019	Kim	D14/126
D852,156	S	*	6/2019	Jeon	D14/126
D894,142	S	*	8/2020	Jung	D14/126
D899,389	S	*	10/2020	Park	D14/126
D900,045	S	*	10/2020	Jung	D14/126
D909,325	S	*	2/2021	Lee	D14/129
D923,595	S	*	6/2021	Jeong	D14/126
D937,796	S	*	12/2021	Kim	G06F 1/18 D14/126
D946,544	S	*	3/2022	Jang	B64D 11/00154 D14/126

* cited by examiner

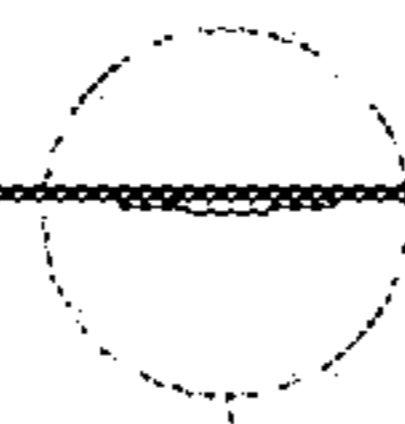
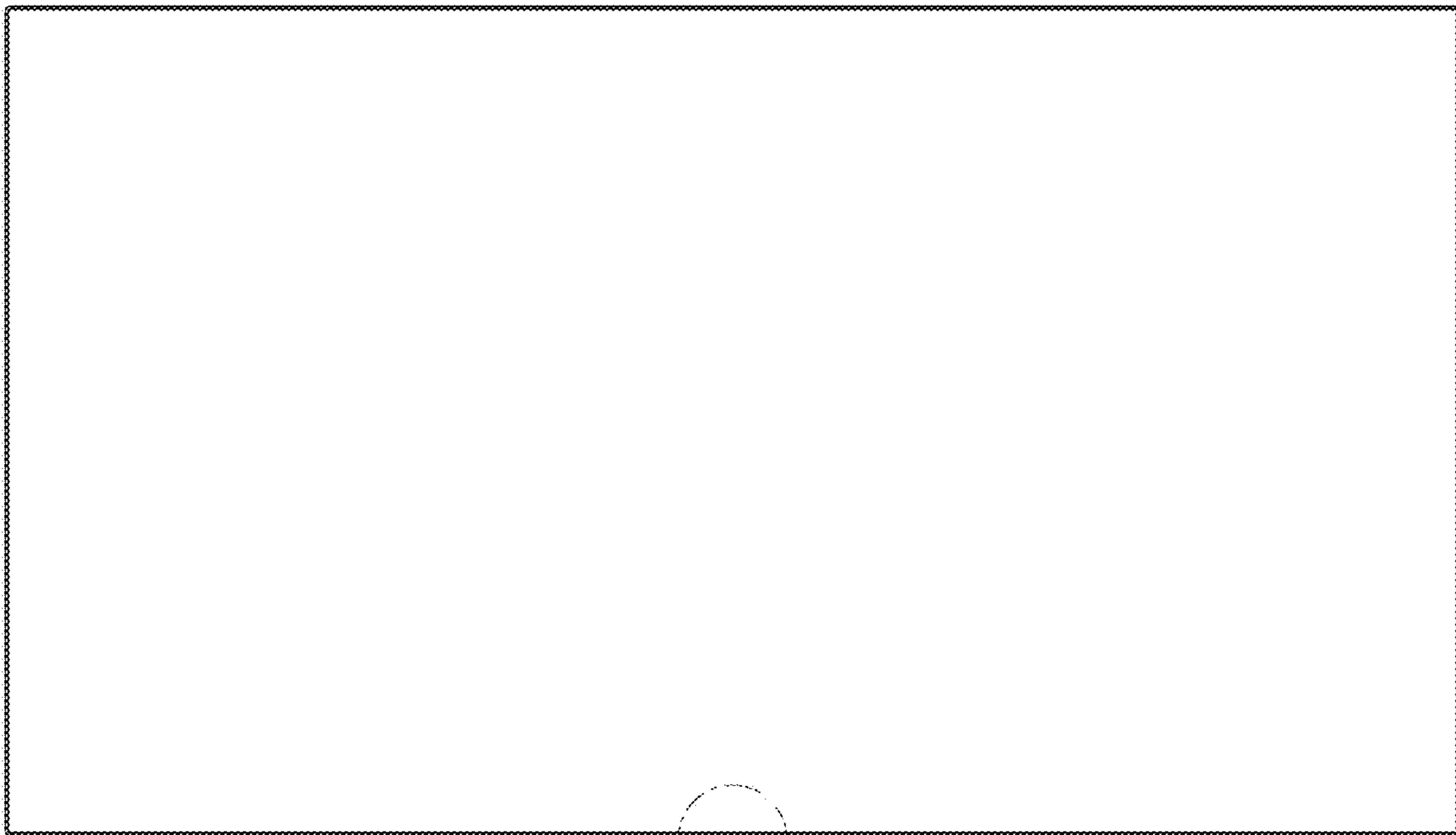
1.1



1.2

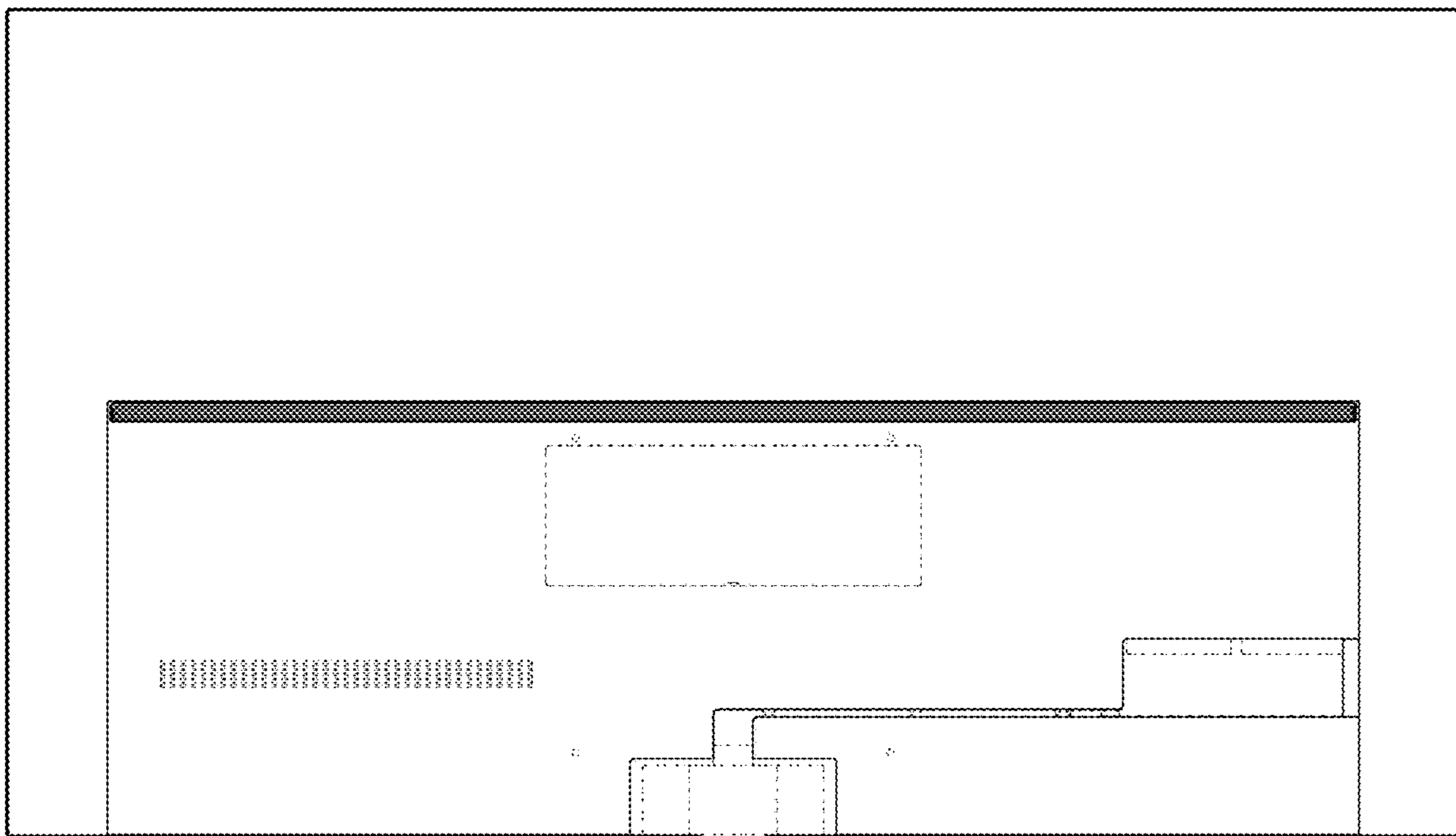


1.3

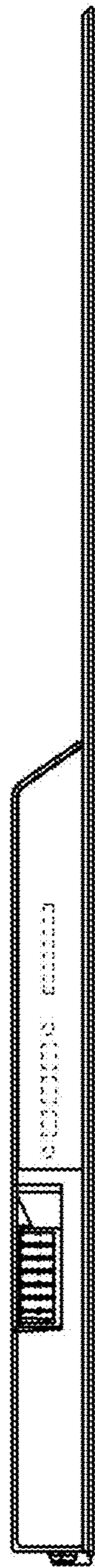


1.10

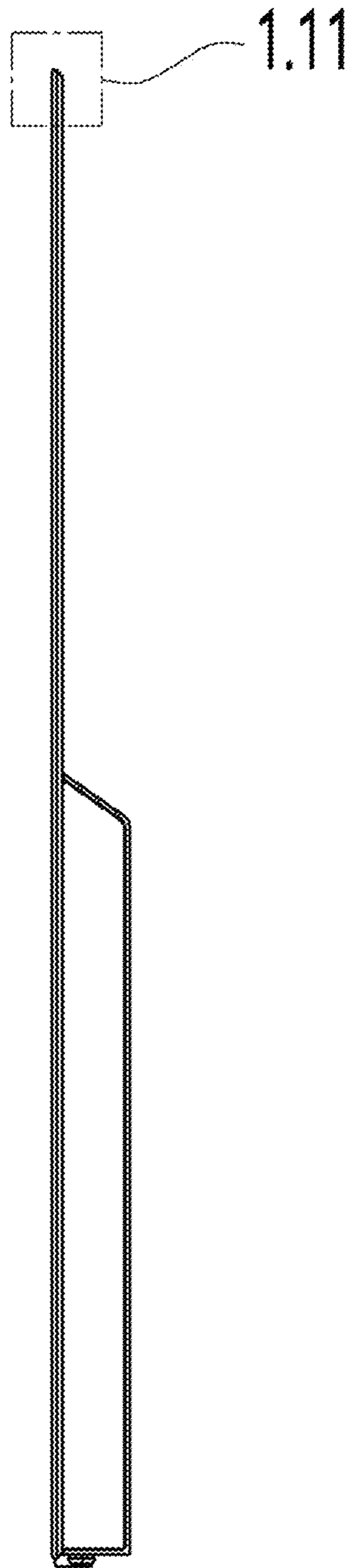
1.4



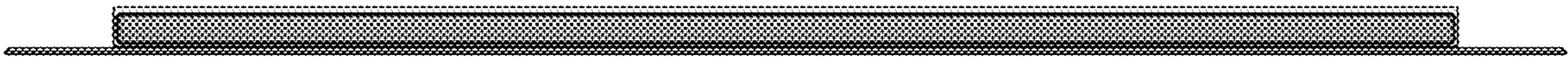
1.5



1.6



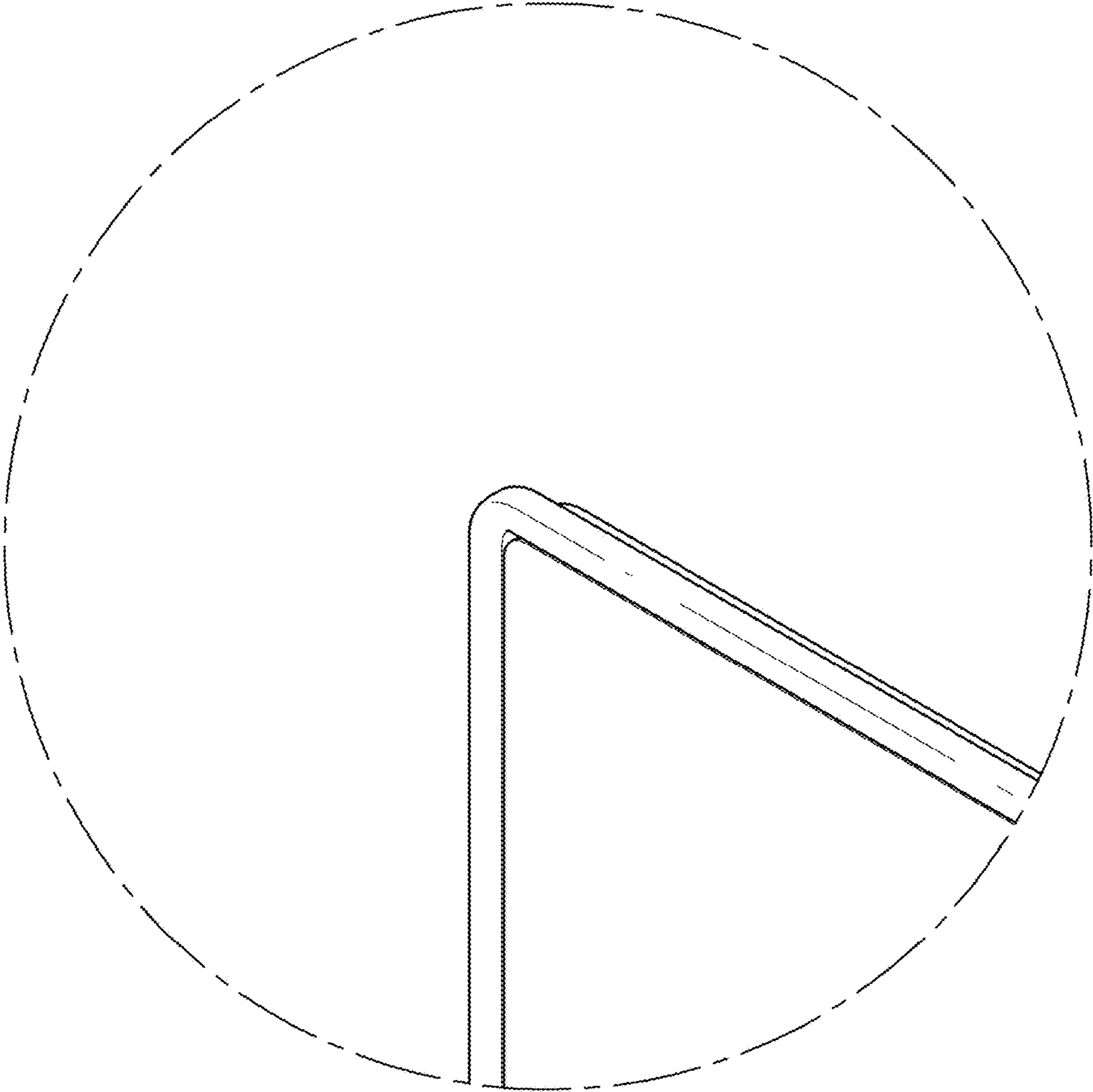
1.7



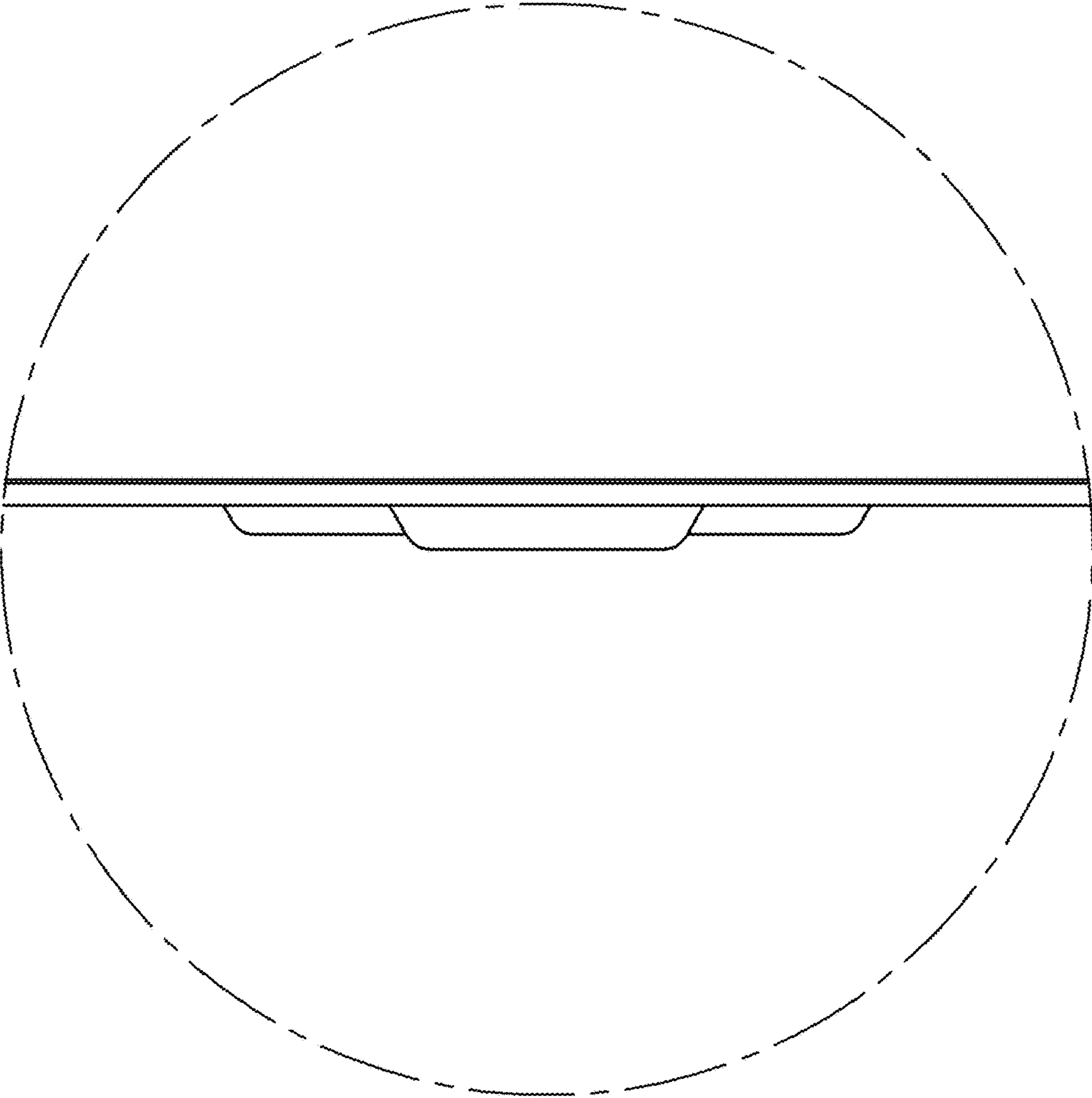
1.8



1.9



1.10



1.11

