



US00D972517S

(12) **United States Design Patent**
Jeong et al.

(10) **Patent No.:** **US D972,517 S**
(45) **Date of Patent:** **** Dec. 13, 2022**

(54) **AV BOX FOR WIRELESS TELEVISION RECEIVER**

(71) Applicant: **LG ELECTRONICS INC.**, Seoul (KR)

(72) Inventors: **Youngwon Jeong**, Seoul (KR); **Yooseok Kim**, Seoul (KR); **Jeongrok Lee**, Seoul (KR)

(73) Assignee: **LG ELECTRONICS INC.**, Seoul (KR)

(**) Term: **15 Years**

(21) Appl. No.: **35/512,691**

(22) Filed: **Apr. 5, 2021**

(80) **Hague Agreement Data**

Int. Filing Date: **Apr. 5, 2021**

Int. Reg. No.: **DM/213874**

Int. Reg. Date: **Apr. 5, 2021**

Int. Reg. Pub. Date: **Oct. 8, 2021**

(30) **Foreign Application Priority Data**

Dec. 24, 2020 (KR) 30-2020-0064951

(51) **LOC (13) Cl.** **14-03**

(52) **U.S. Cl.**
USPC **D14/125**

(58) **Field of Classification Search**

USPC ... D14/125-129, 138 AA, 138 AB, 138 AC, D14/138 AD, 138 C, 138 G, 155-159, D14/160-173, 187-188, 189-198, D14/203.1-203.8, 204-216, 217-222, D14/239, 248, 257-258, 315-318, D14/341-347, 371, 374, 432, 439-441, D14/496, 498-506; D6/308, 310;
(Continued)

(56) **References Cited**

U.S. PATENT DOCUMENTS

D520,519 S * 5/2006 Chin D14/203.3

D618,232 S * 6/2010 O'Neil D14/314

(Continued)

FOREIGN PATENT DOCUMENTS

KR 301116249.0000 * 6/2021

WO WOD213133-001 * 8/2021

WO WOD213874-001 * 10/2021

OTHER PUBLICATIONS

7 best set-top boxes, Oct. 10, 2017, [retrieved Sep. 24, 2022], Retrieved from Internet, URL: <<https://www.independent.co.uk/extras/indybest/gadgets-tech/television/best-set-top-box-recorder-reviews-for-cable-tv-freeview-hd-4k-uhd-hdr-ultra-hd-netflix-a7992486.html>> (Year: 2017).*

(Continued)

Primary Examiner — Messina L Smith

Assistant Examiner — Aram Kwon

(74) *Attorney, Agent, or Firm* — Birch, Stewart, Kolasch & Birch, LLP

(57) **CLAIM**

The ornamental design for an AV box for wireless television receiver, as shown and described.

DESCRIPTION

1. AV box for wireless television receiver

1.1 : Front perspective view

1.2 : Rear perspective view

1.3 : Front

1.4 : Back

1.5 : Left

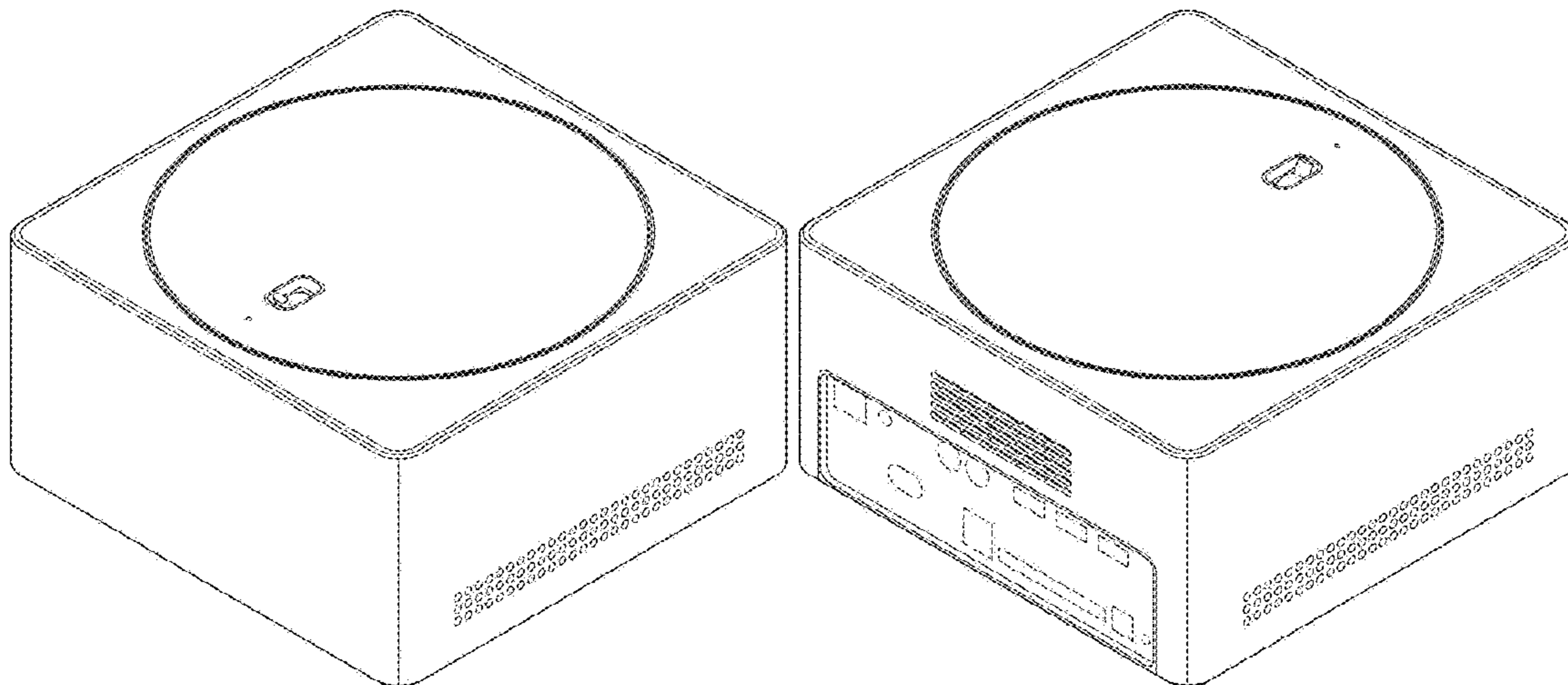
1.6 : Right

1.7 : Top

1.8 : Bottom

The broken lines represent portions of the AV box for wireless television receiver that form no part of the claimed design.

1 Claim, 8 Drawing Sheets



(58) **Field of Classification Search**

USPC D10/50, 65, 104.1; D18/6-7; D21/324,
D21/329-330, 332
CPC ... H04M 1/0202; H04M 1/0266; H04M 1/725
See application file for complete search history.

D894,191 S * 8/2020 Turksu D14/434
D910,590 S * 2/2021 Laine D14/203.1
D910,591 S * 2/2021 Vossel D14/203.1
D914,680 S * 3/2021 Traitel D14/358
D924,933 S * 7/2021 Kusano D14/496
D953,286 S * 5/2022 Kim D14/204

(56) **References Cited**

U.S. PATENT DOCUMENTS

D650,377 S * 12/2011 Akana D14/314
D660,834 S * 5/2012 Akana D14/314
D676,005 S * 2/2013 Wood D14/125
D720,347 S * 12/2014 Lo D14/348
D756,990 S * 5/2016 Akana D14/314
D763,262 S * 8/2016 Hallar D14/434
D807,841 S * 1/2018 Lee D14/125
D844,006 S * 3/2019 Molnár D14/434
D849,753 S * 5/2019 Divine, Jr. D14/447

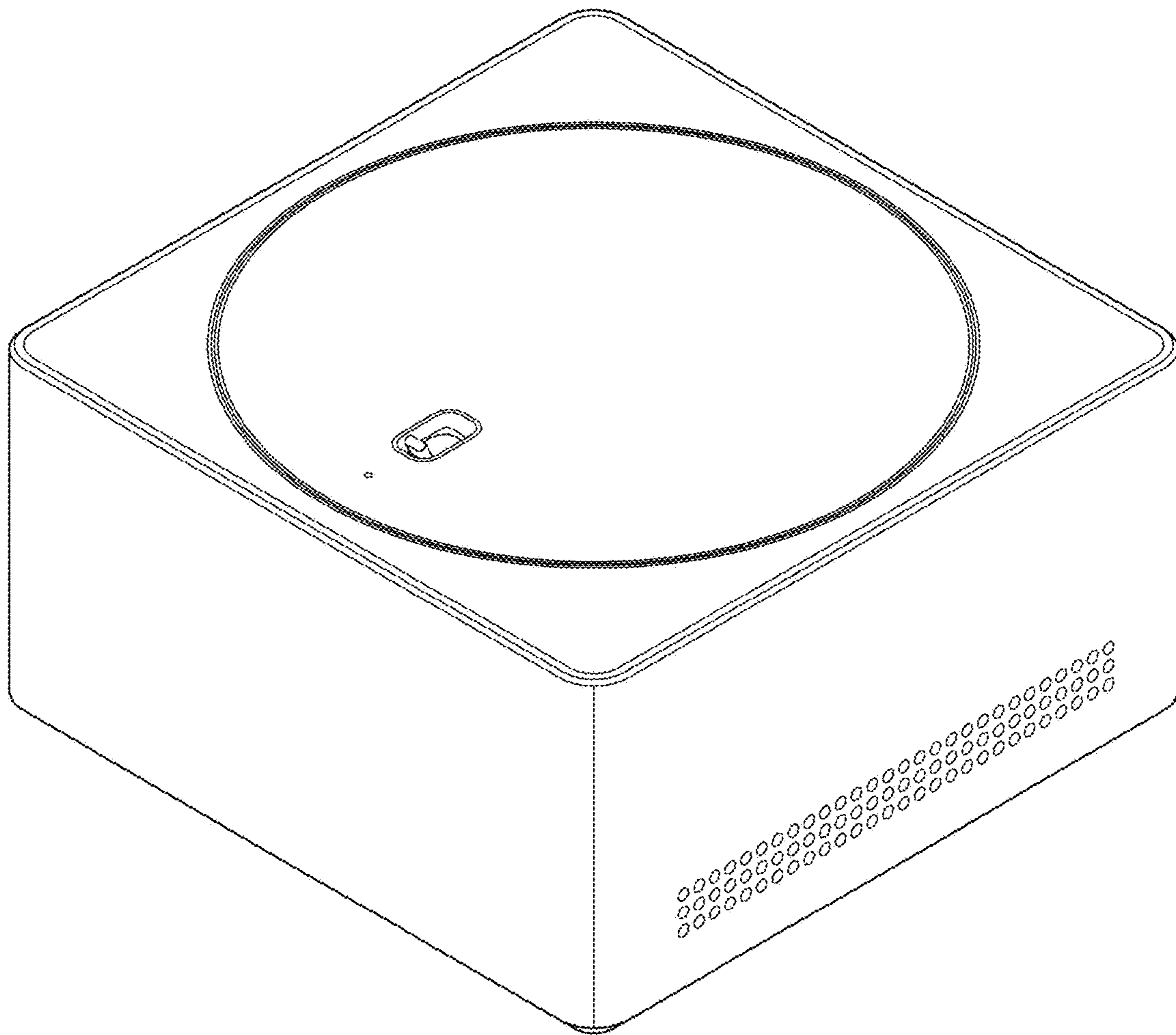
OTHER PUBLICATIONS

BT Mini YouView Box review, Jan. 27, 2015, [retrieved Sep. 24, 2022], Retrieved from Internet, URL: <<https://www.expertreviews.co.uk/tvs-entertainment/pvrs/1402467/bt-mini-youview-box-review-free-with-tv-starter/page/0/1>> (Year: 2015).*

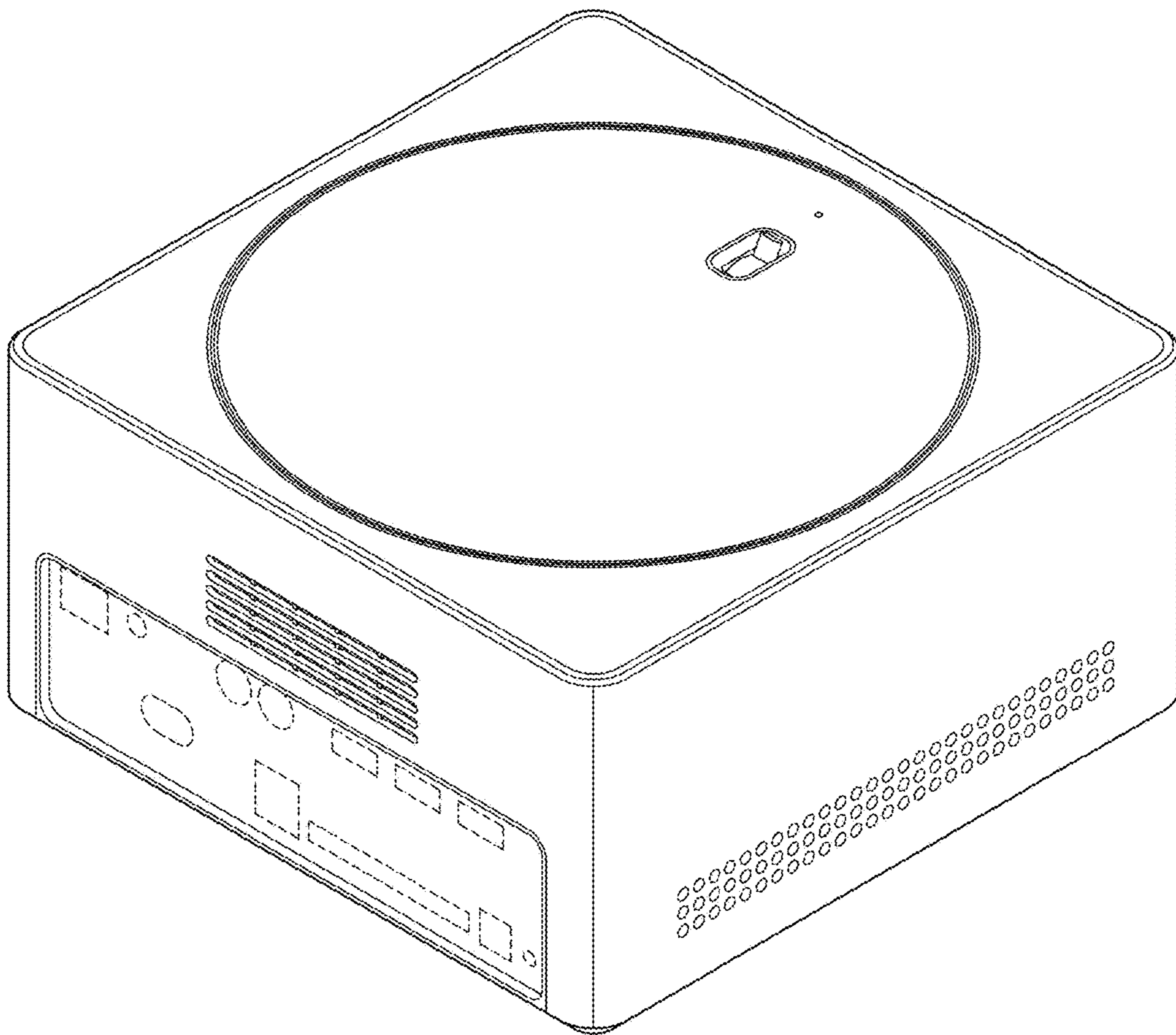
Netflix Certified Dolby Android 11 4K Android TV streaming Box, review date: Jul. 19, 2022, [retrieved Sep. 24, 2022], Retrieved from Internet, URL: <<https://www.mecool.com/products/tv-box-mecool-km2-plus>> (Year: 2022).*

* cited by examiner

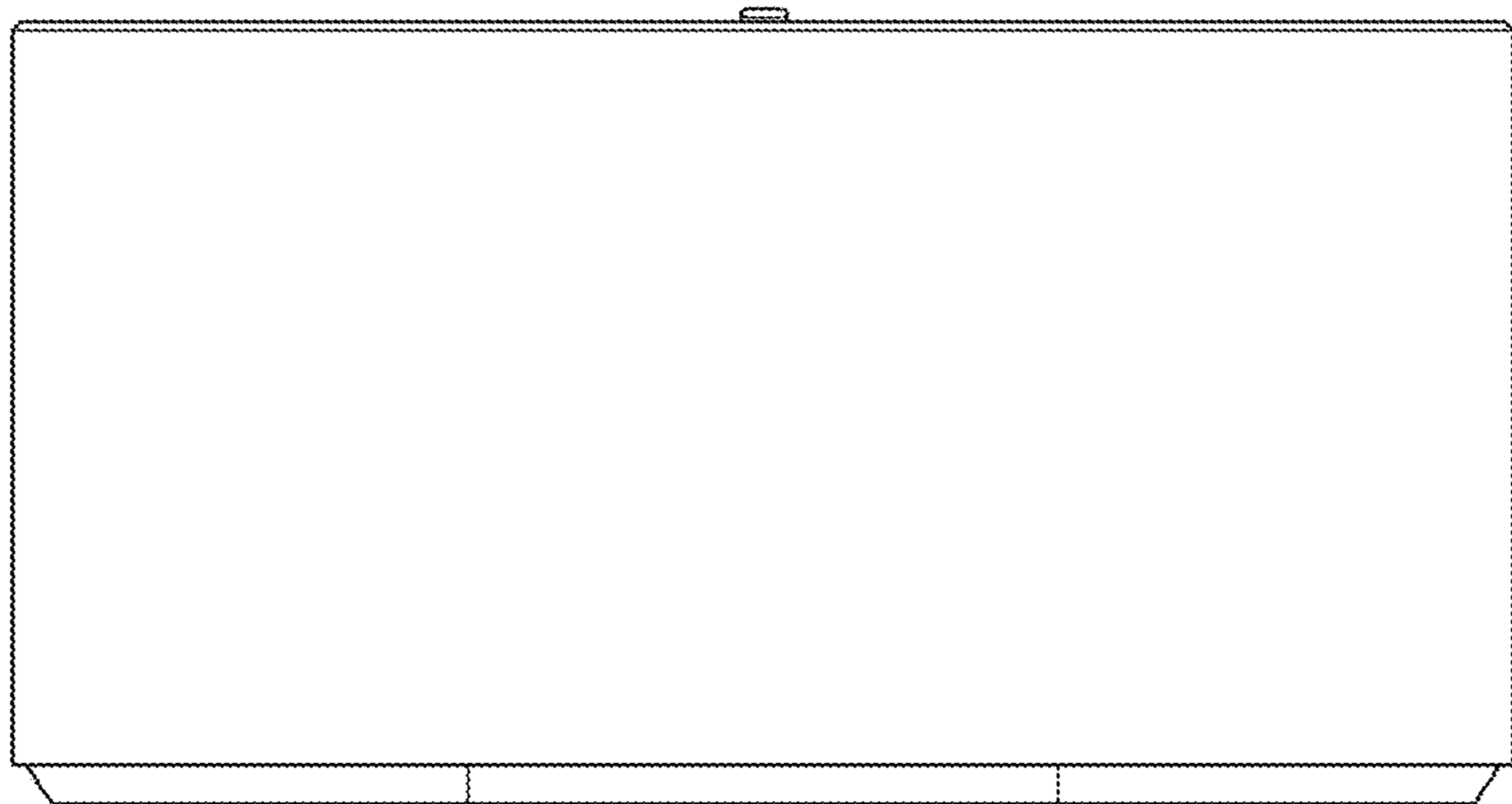
1.1



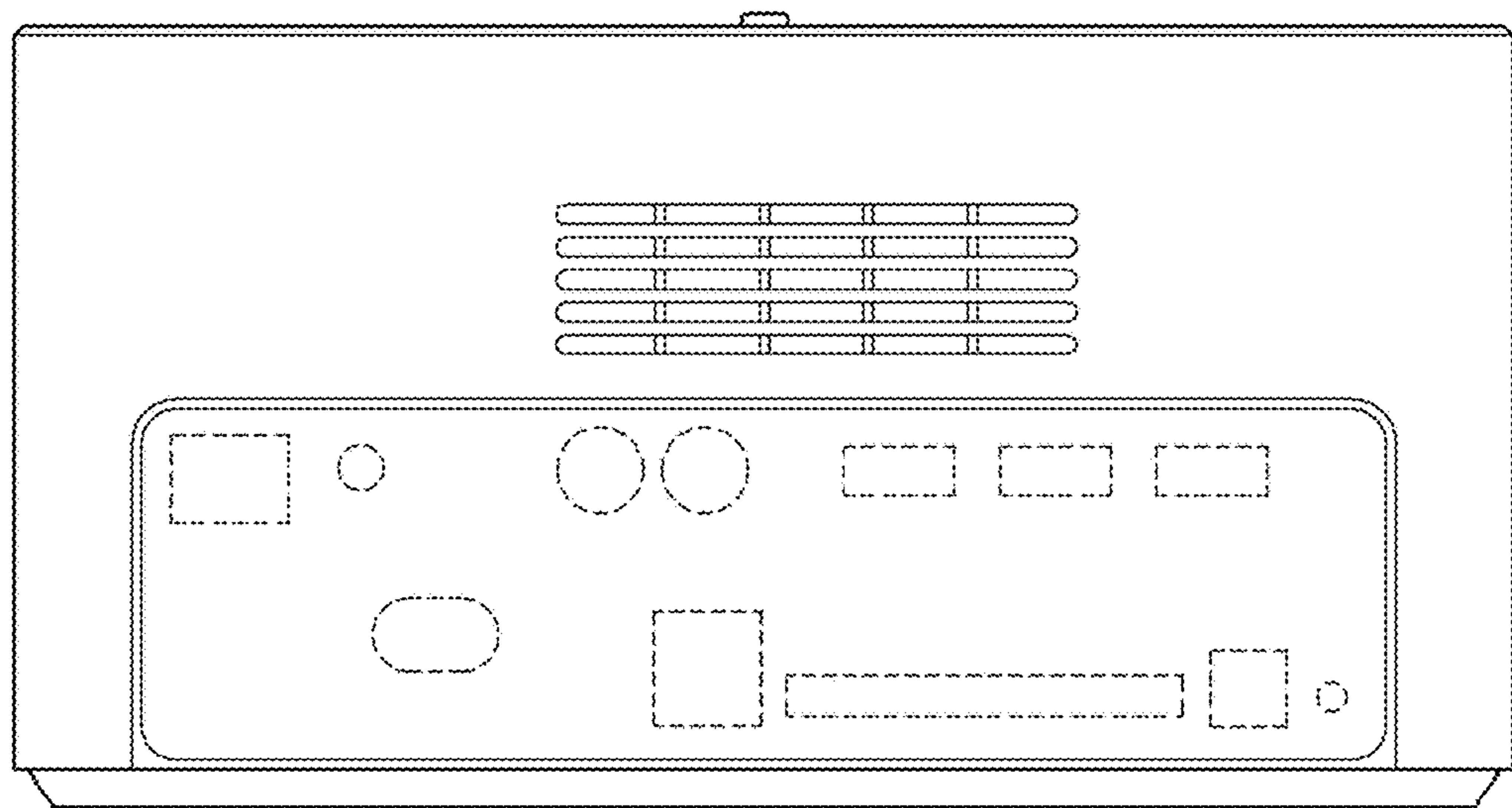
1.2



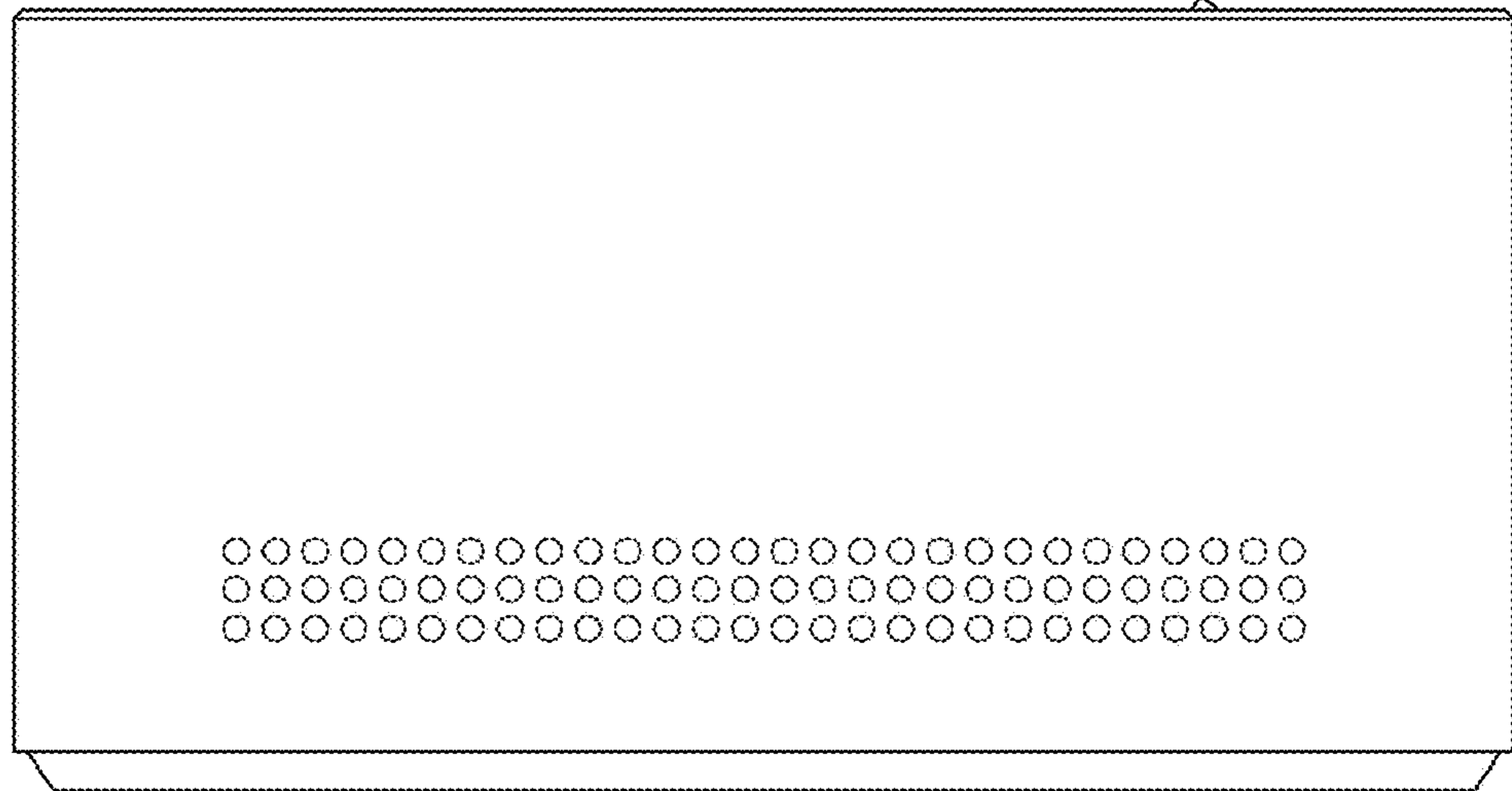
1.3



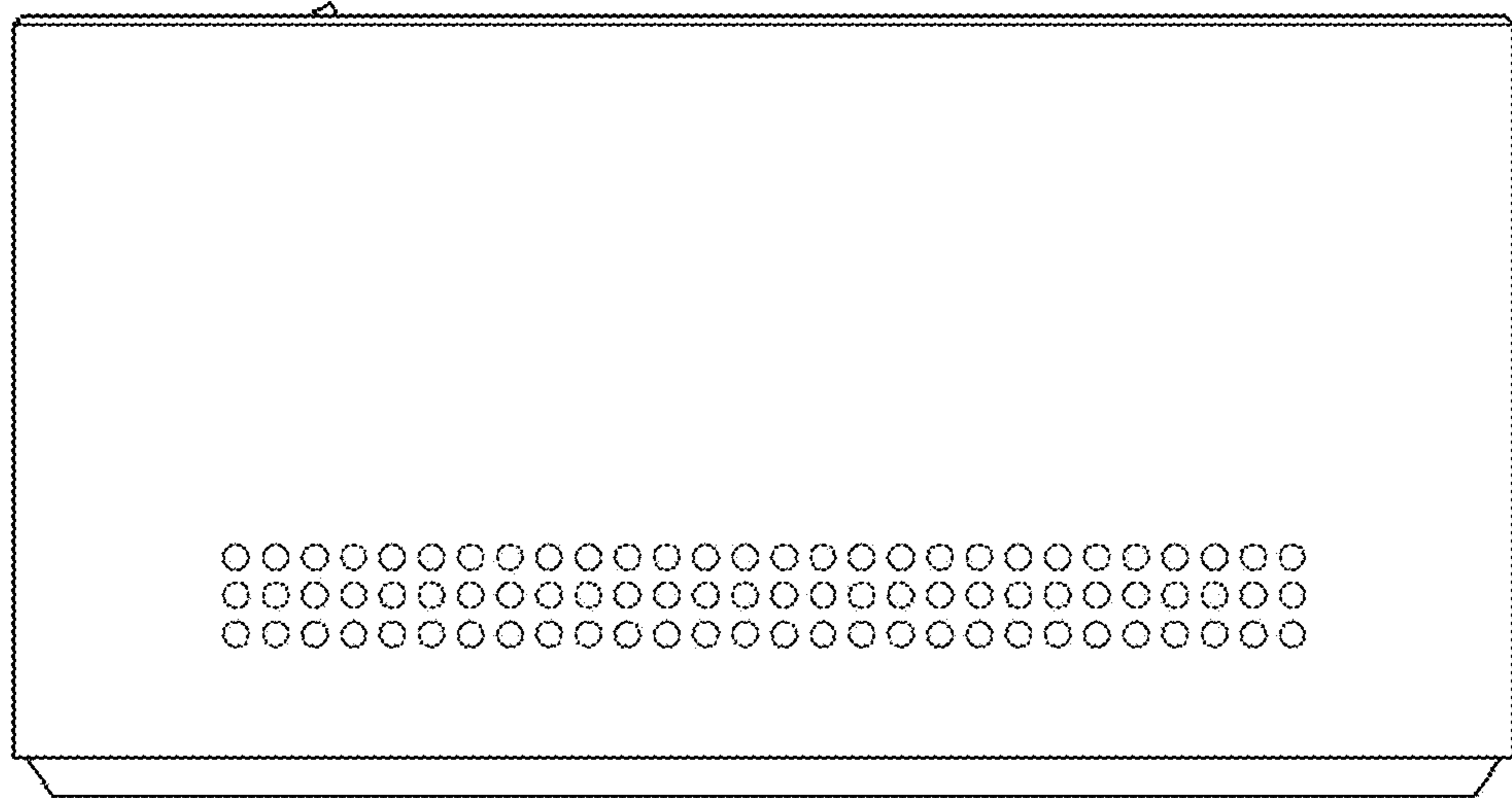
1.4



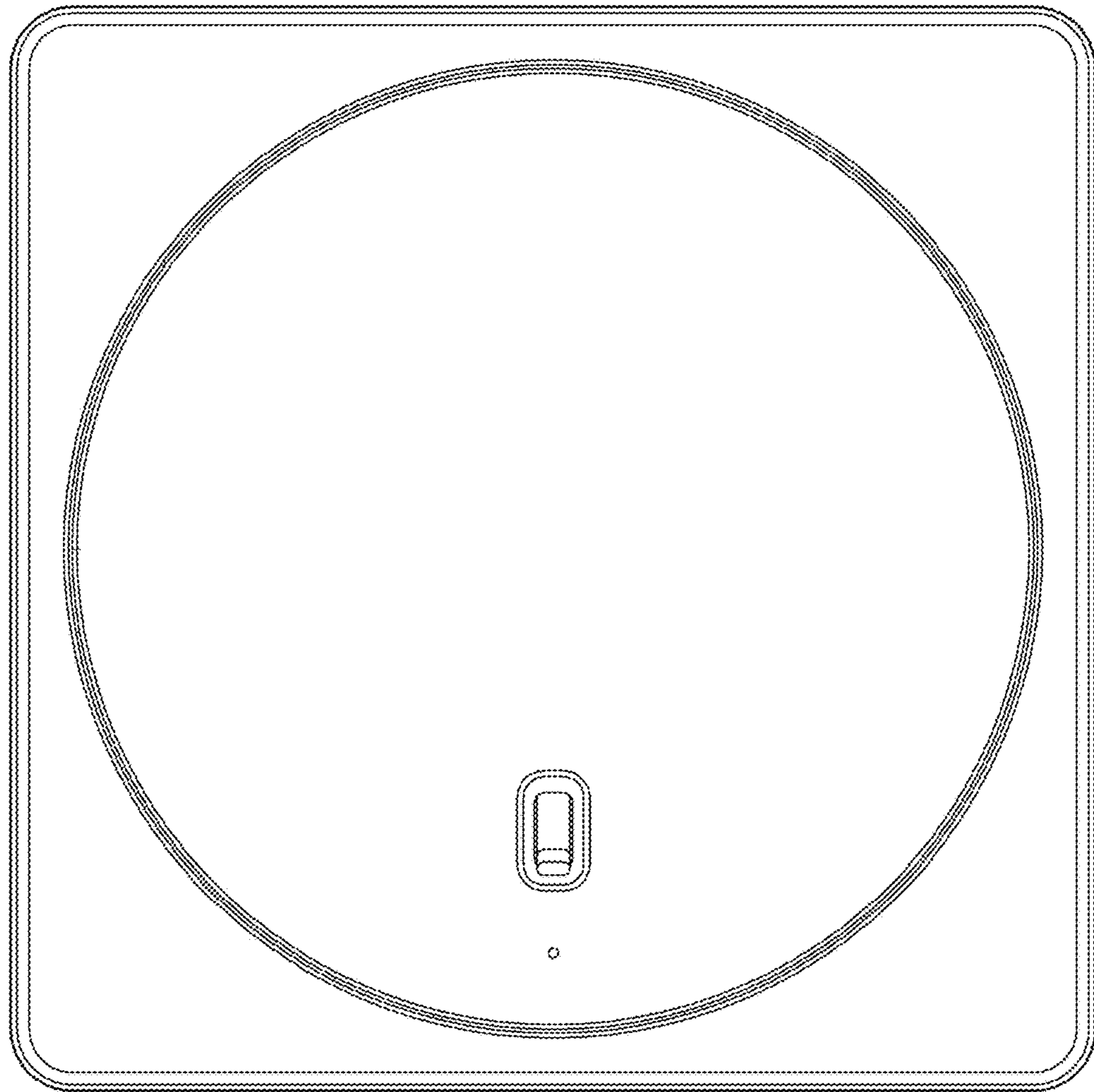
1.5



1.6



1.7



1.8

