



US00D972512S

(12) **United States Design Patent**
Kanda et al.

(10) **Patent No.:** **US D972,512 S**
(45) **Date of Patent:** **** Dec. 13, 2022**

(54) **BATTERY MODULE CASE**

(71) Applicant: **DENSO CORPORATION**, Kariya (JP)

(72) Inventors: **Yuko Kanda**, Kariya (JP); **Yuji Kawahara**, Kariya (JP)

(73) Assignee: **DENSO CORPORATION**, Kariya (JP)

(**) Term: **15 Years**

(21) Appl. No.: **29/719,251**

(22) Filed: **Jan. 2, 2020**

(30) **Foreign Application Priority Data**

Jul. 19, 2019 (JP) 2019-016295

(51) **LOC (13) Cl.** **13-02**

(52) **U.S. Cl.**
USPC **D13/119**

(58) **Field of Classification Search**
USPC D13/102, 103, 110, 118–121, 184, 199;
D3/274, 302
CPC H01M 50/10; H01M 50/107; H01M 50/20;
H01M 50/557; H01M 50/209; H01M
50/213; H01M 50/502; H01M 50/103;
H01M 50/204

See application file for complete search history.

(56) **References Cited**

U.S. PATENT DOCUMENTS

D320,780 S * 10/1991 Nagele D13/103
D378,366 S * 3/1997 Nagele D13/103
D401,550 S * 11/1998 Chambers D13/103

(Continued)

Primary Examiner — Rosemary K Tarcza

(74) *Attorney, Agent, or Firm* — Oliff PLC

(57) **CLAIM**

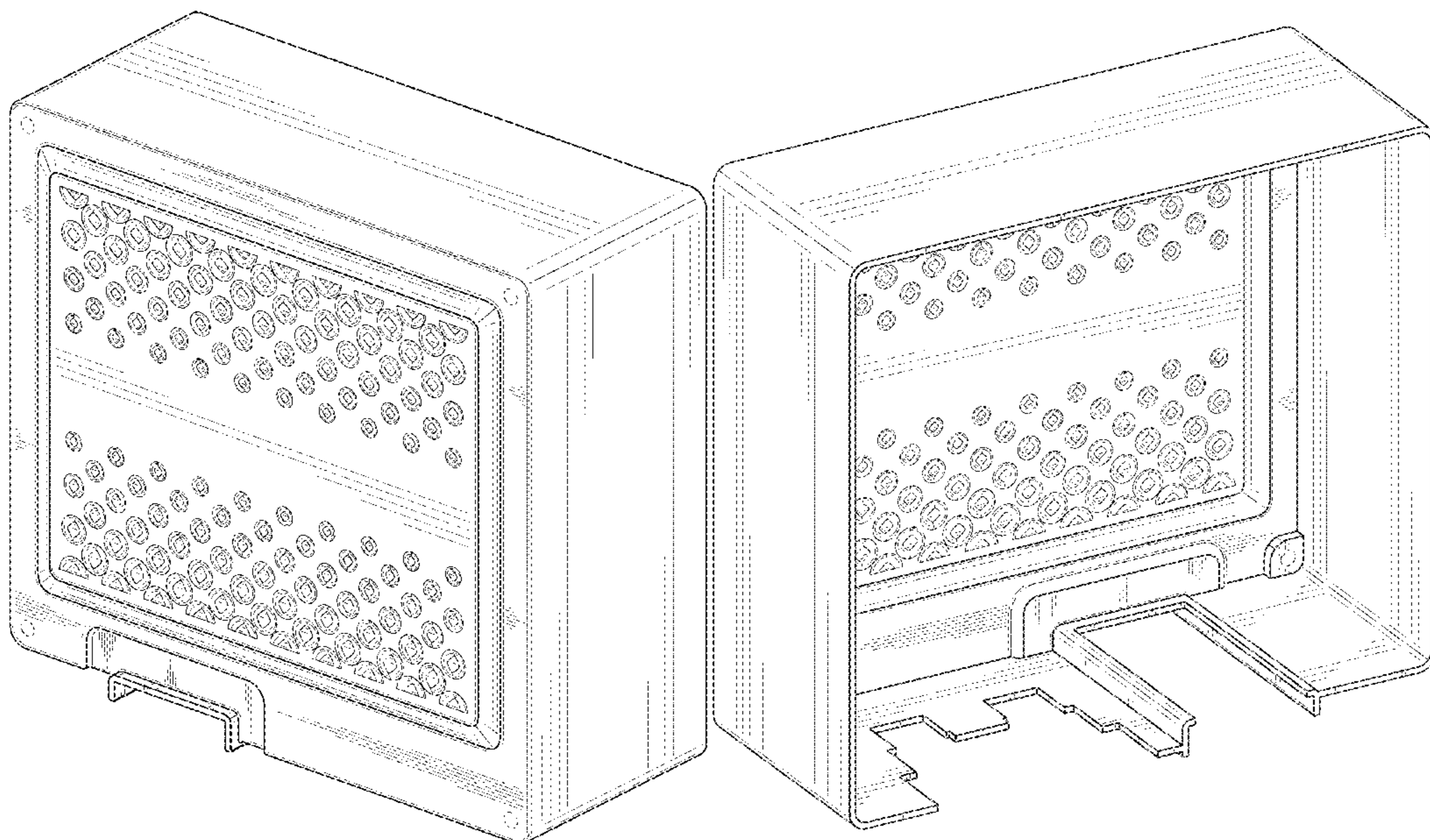
The ornamental design for a battery module case, as shown and described.

DESCRIPTION

FIG. 1 is a front elevational view of the battery module case; FIG. 2 is a rear elevational view thereof; FIG. 3 is a left-side elevational view thereof; FIG. 4 is a right-side elevational view thereof; FIG. 5 is a top plan view thereof; FIG. 6 is a bottom plan view thereof; FIG. 7 is a top, front perspective view thereof; FIG. 8 is a bottom, front perspective view thereof; FIG. 9 is a top, rear perspective view thereof; FIG. 10 is a top, right perspective view thereof; FIG. 11 is a top, left perspective view thereof; FIG. 12 is a cross-sectional view along line A-A in FIG. 1; FIG. 13 is a cross-sectional view along line B-B in FIG. 1; FIG. 14 is a detail view of the area demarcated by line C-C in FIG. 12; FIG. 15 is a detail view of the area demarcated by line D-D in FIG. 12; FIG. 16 is a detail view of the area demarcated by line E-E in FIG. 13; FIG. 17 is a detail view of the area demarcated by line F-F in FIG. 13; FIG. 18 is a detail view of the area demarcated by line G-G in FIG. 10; FIG. 19 is a detail view of the area demarcated by line H-H in FIG. 10; FIG. 20 is a detail view of the area demarcated by line I-I in FIG. 11; and, FIG. 21 is a detail view of the area demarcated by line J-J in FIG. 11.

The evenly spaced broken lines depict unclaimed parts of the battery module case and form no part of the claimed design. The dot-dash chain lines indicate the cross-sectional lines and the detail view lines, and form no part of the claimed design.

1 Claim, 21 Drawing Sheets



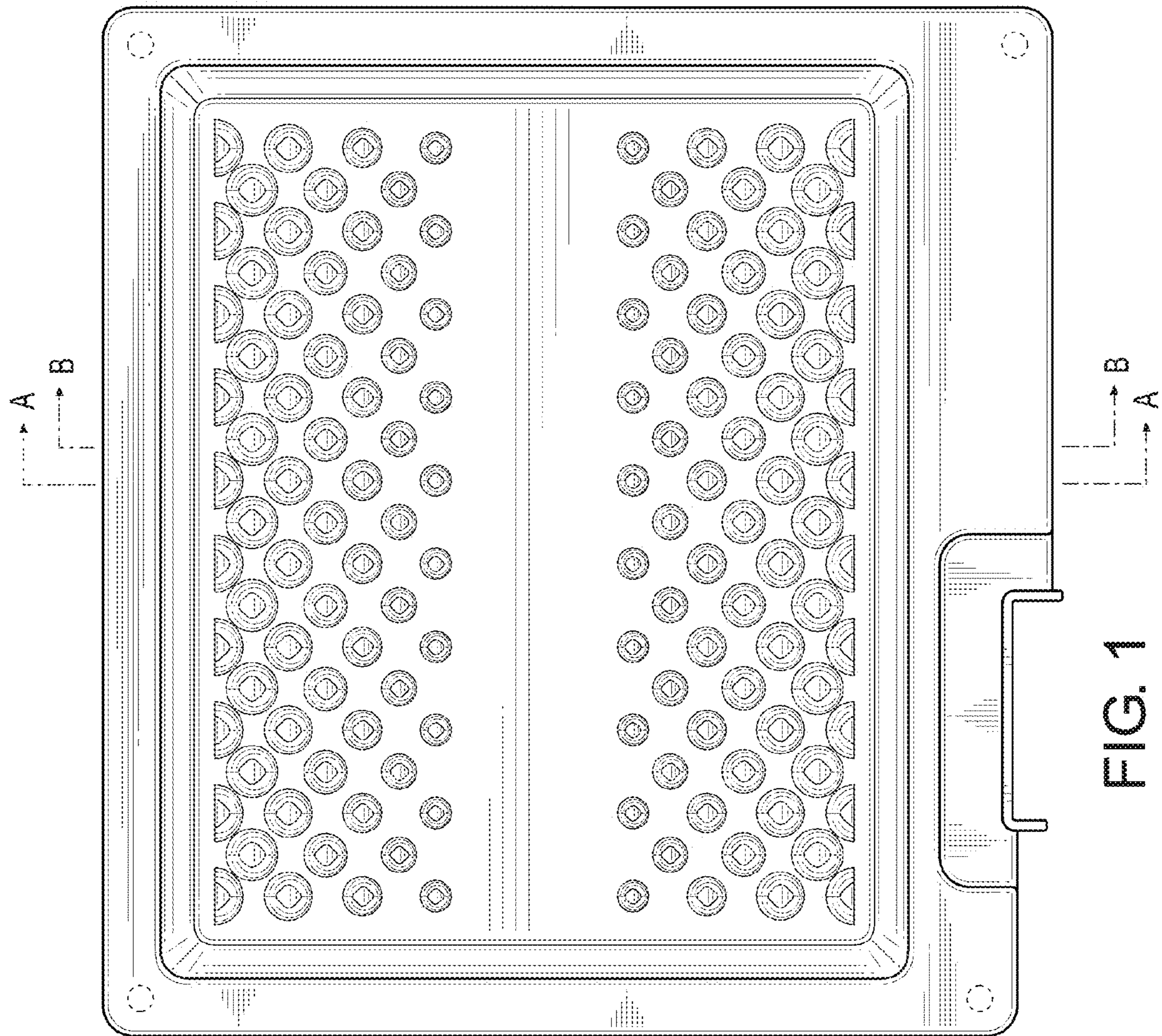
(56)

References Cited

U.S. PATENT DOCUMENTS

D489,683	S	*	5/2004	Johnson	D13/119
D490,054	S	*	5/2004	Johnson	D13/119
D490,055	S	*	5/2004	Johnson	D13/119
D490,056	S	*	5/2004	Johnson	D13/119
D556,681	S	*	12/2007	Kim	D3/218
D616,361	S	*	5/2010	Huang	D13/103
D660,789	S	*	5/2012	Mar	D13/103
D663,263	S	*	7/2012	Gupta	D13/103
D666,149	S	*	8/2012	Sacks	D13/119
D686,154	S	*	7/2013	Hsu	D13/103
D709,439	S	*	7/2014	Ferber	D13/103
D710,795	S	*	8/2014	Gupta	D13/103
D728,468	S	*	5/2015	Ferber	D13/103
D731,426	S	*	6/2015	Hong	D13/119
D765,594	S	*	9/2016	Li	D13/103
D767,485	S	*	9/2016	To	D13/103
D881,812	S	*	4/2020	Yang	D13/103
D883,917	S	*	5/2020	Chen	D13/103
D906,235	S	*	12/2020	Liu	D13/103
D929,333	S	*	8/2021	Benjakachorndech	D13/119
D934,802	S	*	11/2021	Kanda	D13/119
D934,803	S	*	11/2021	Kanda	D13/119
D942,394	S	*	2/2022	Wang	D13/119
D945,960	S	*	3/2022	Fountain	D13/103
D949,096	S	*	4/2022	Brennan, Jr.	D13/103
2022/0140425	A1	*	5/2022	Lee	H01M 50/184 429/185

* cited by examiner



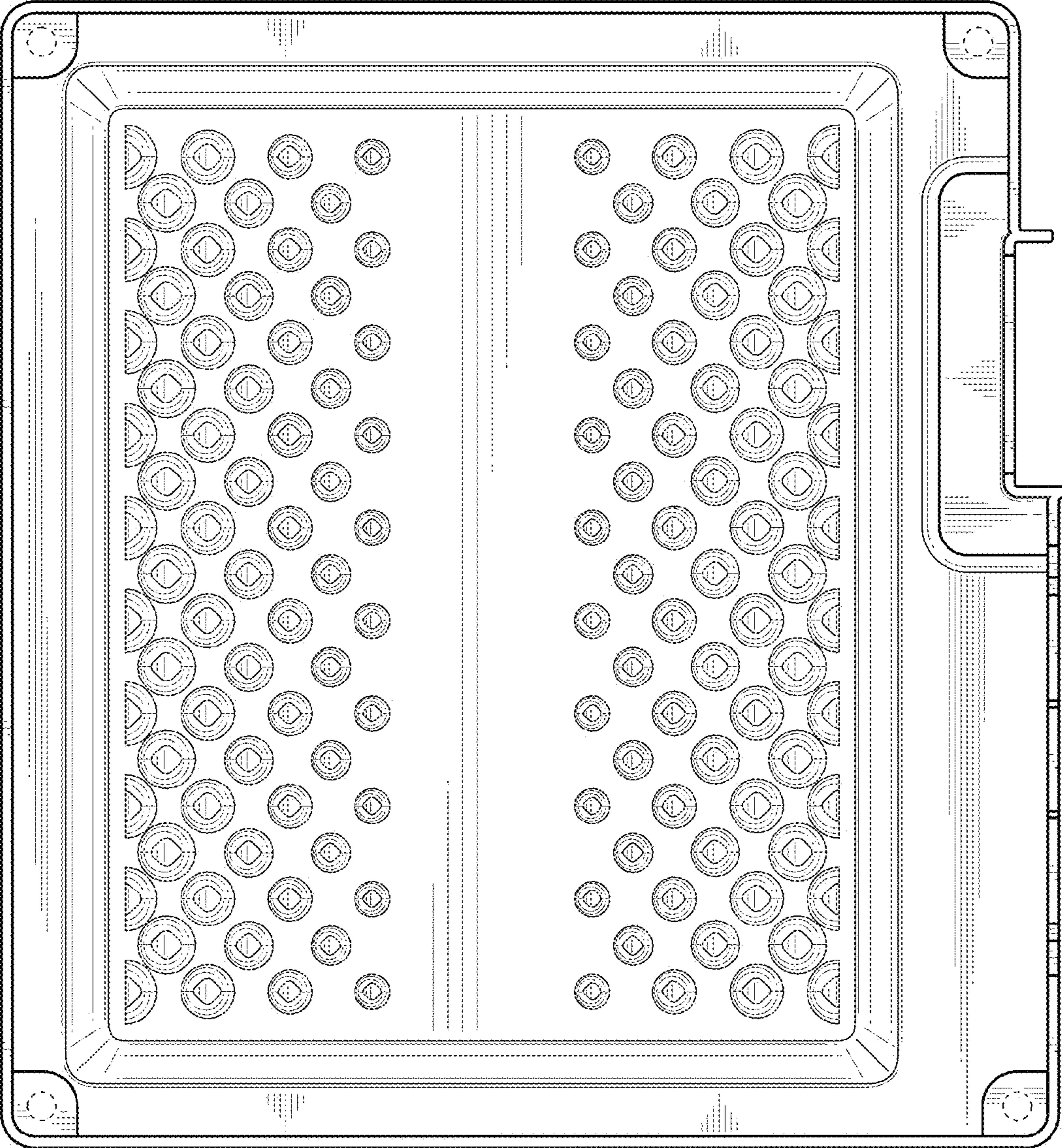


FIG. 2

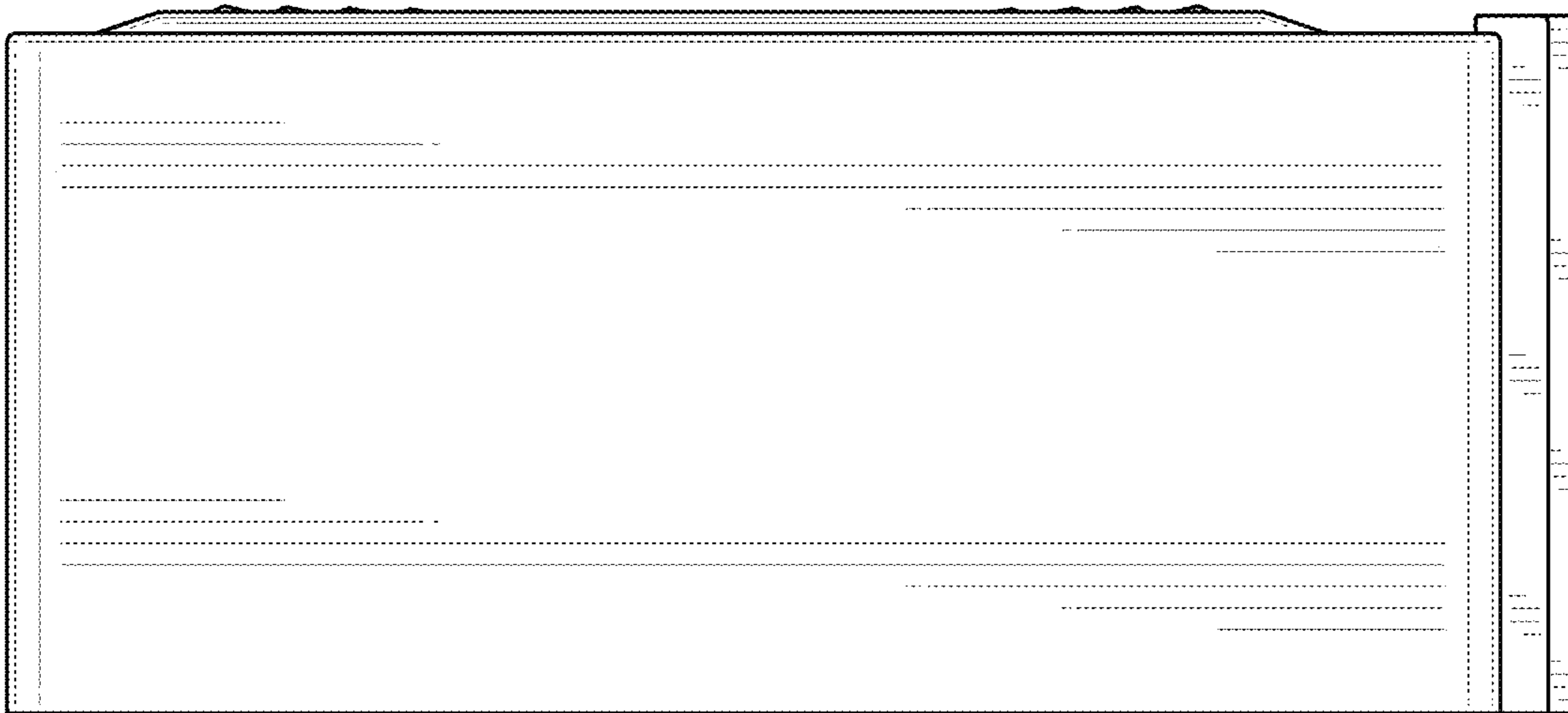


FIG. 3

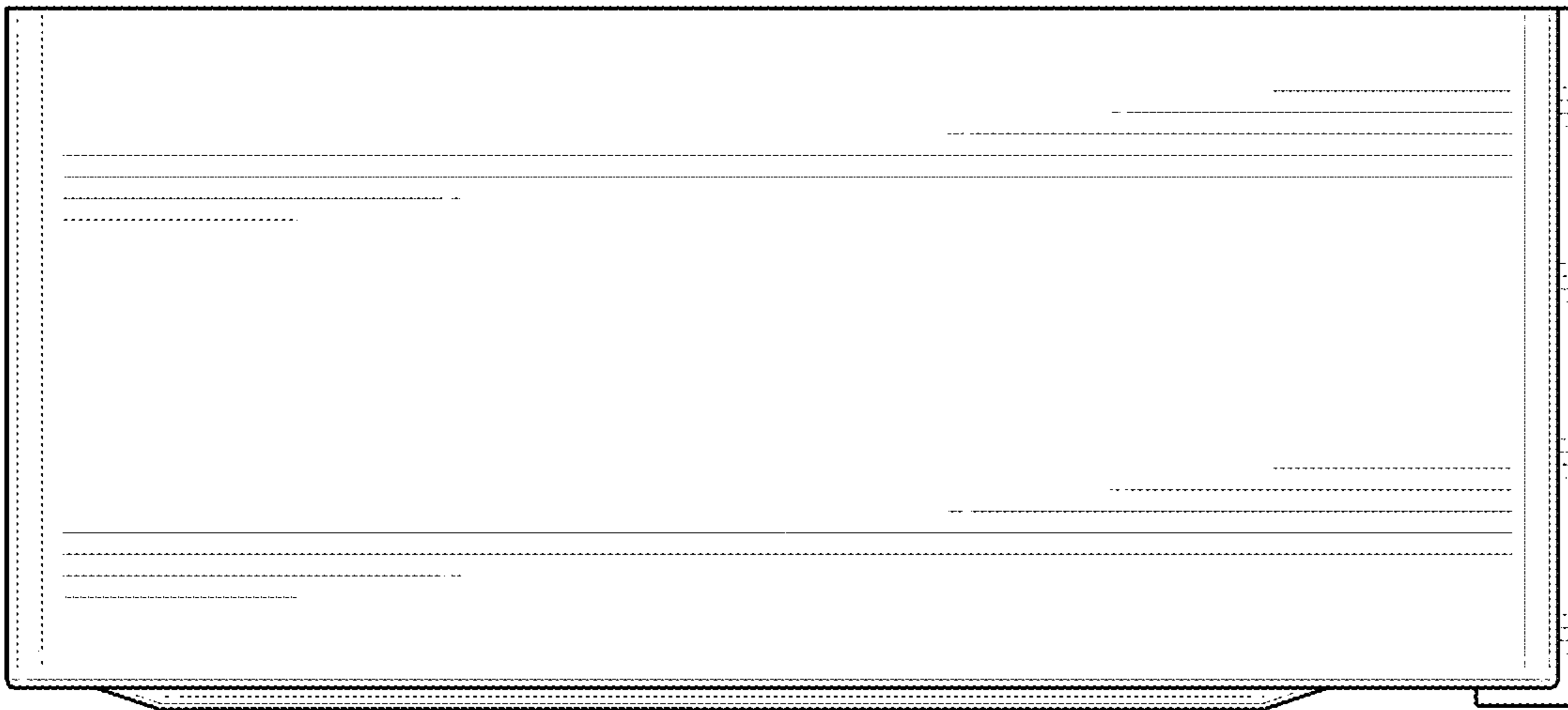


FIG. 4

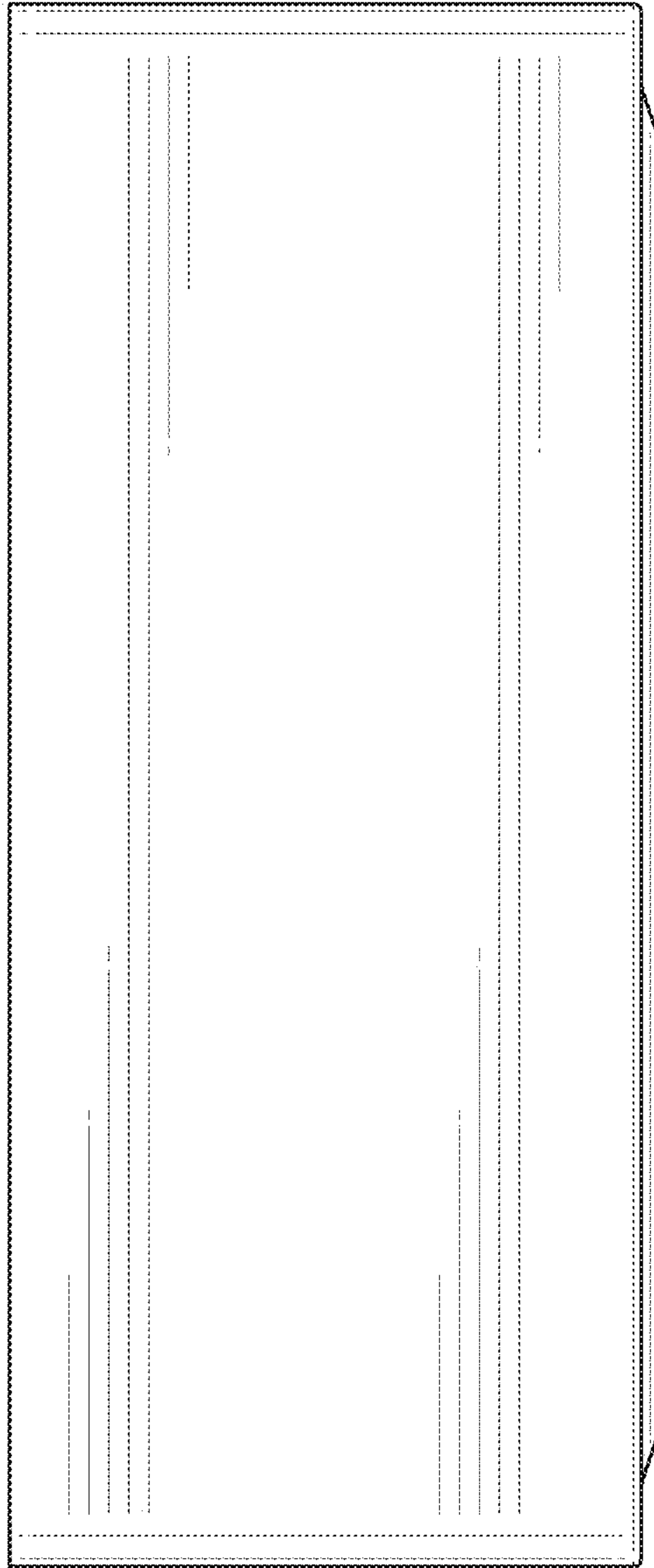


FIG. 5

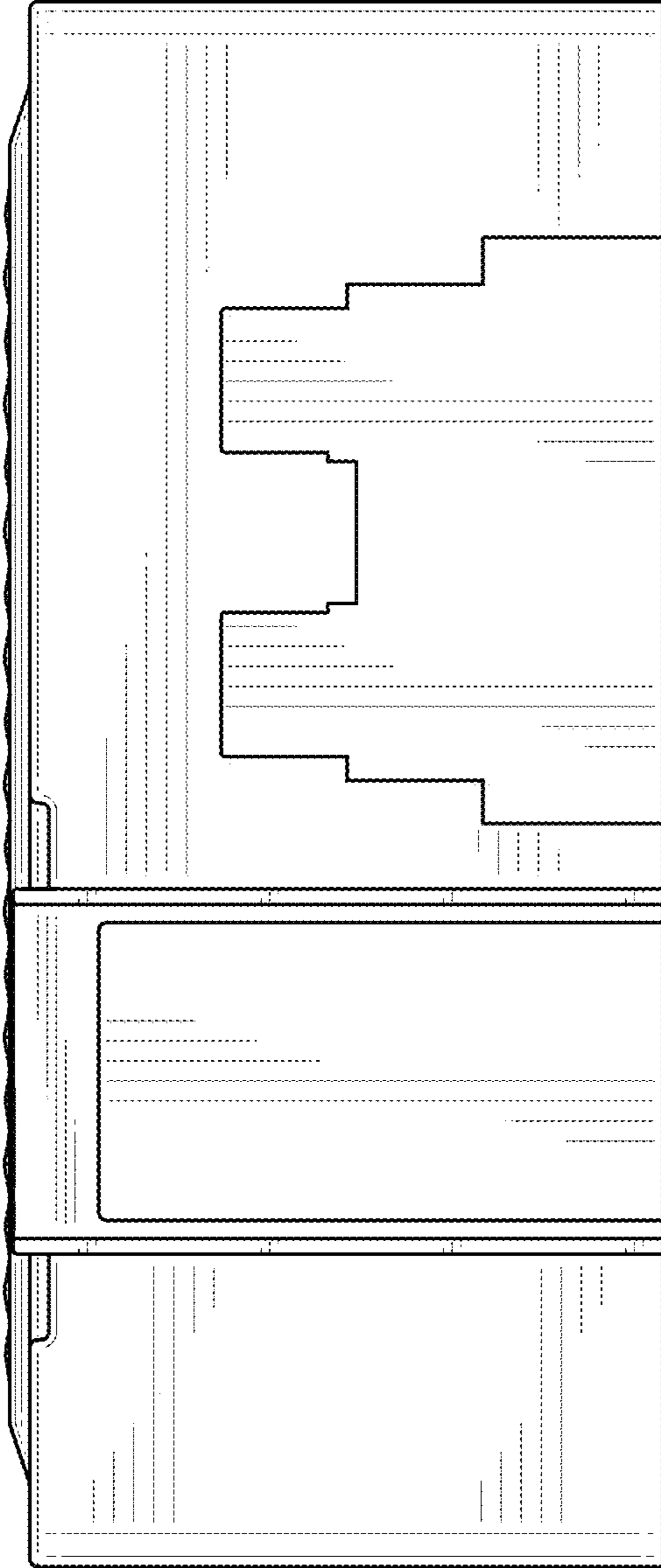


FIG. 6

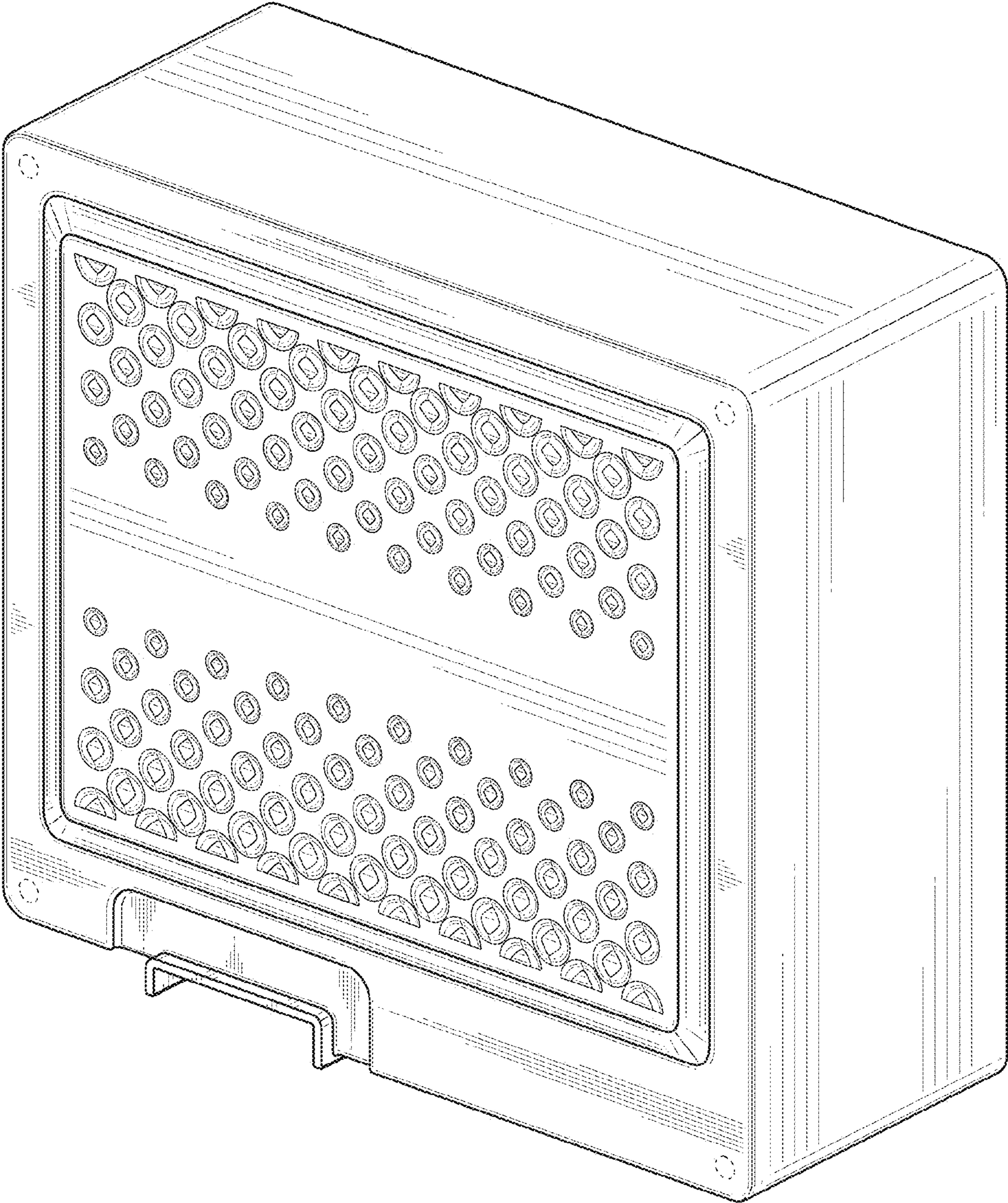


FIG. 7

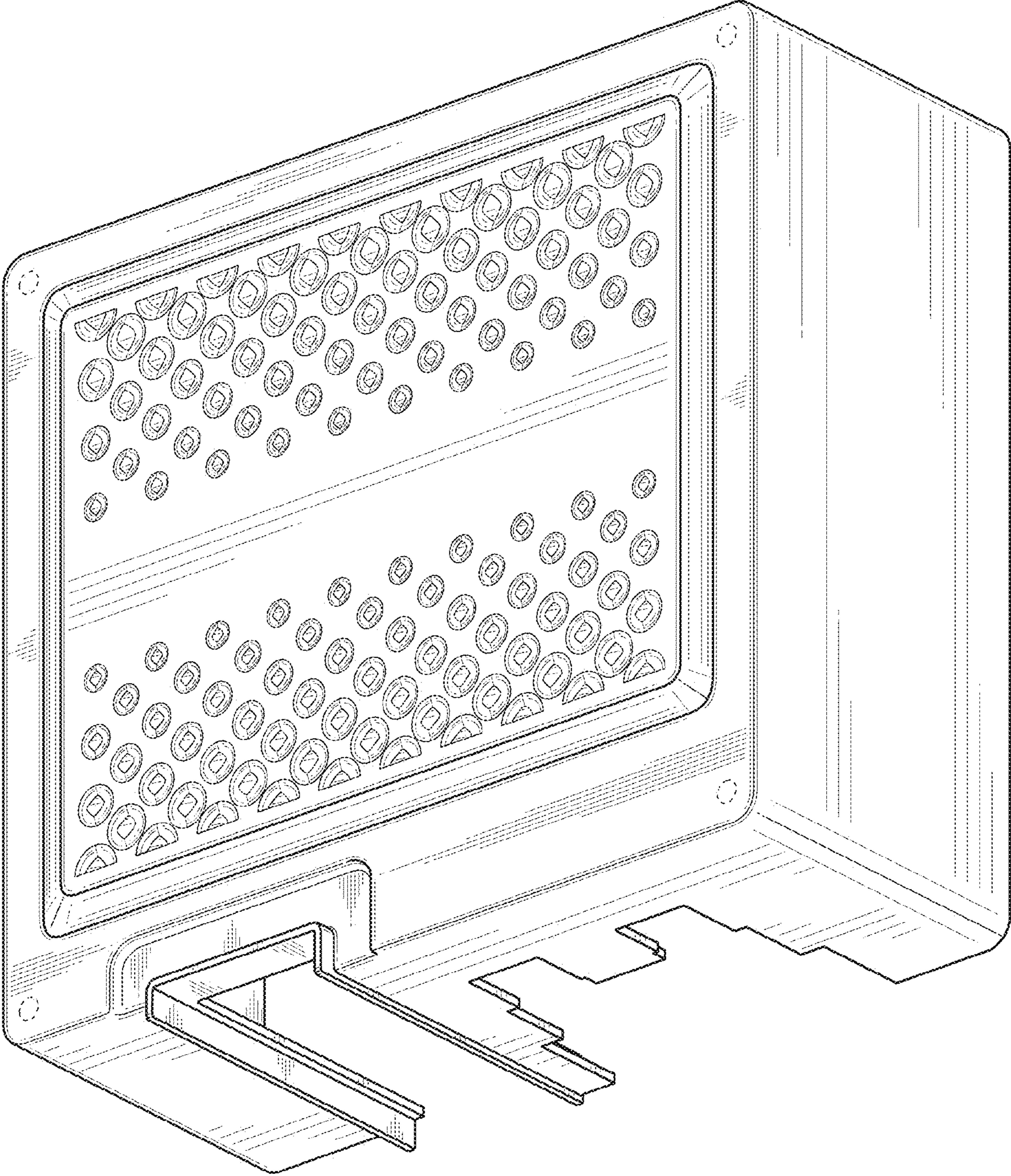


FIG. 8

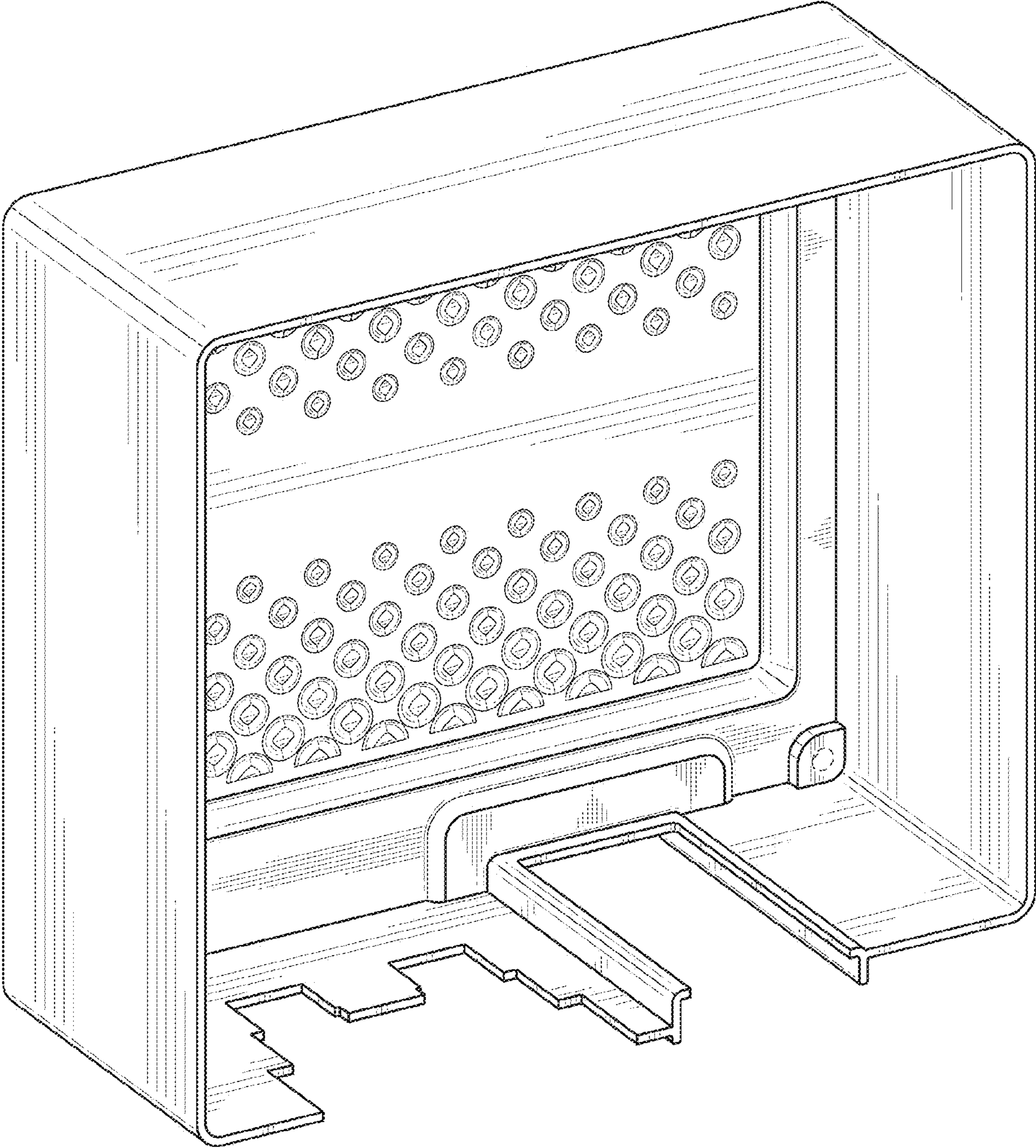


FIG. 9

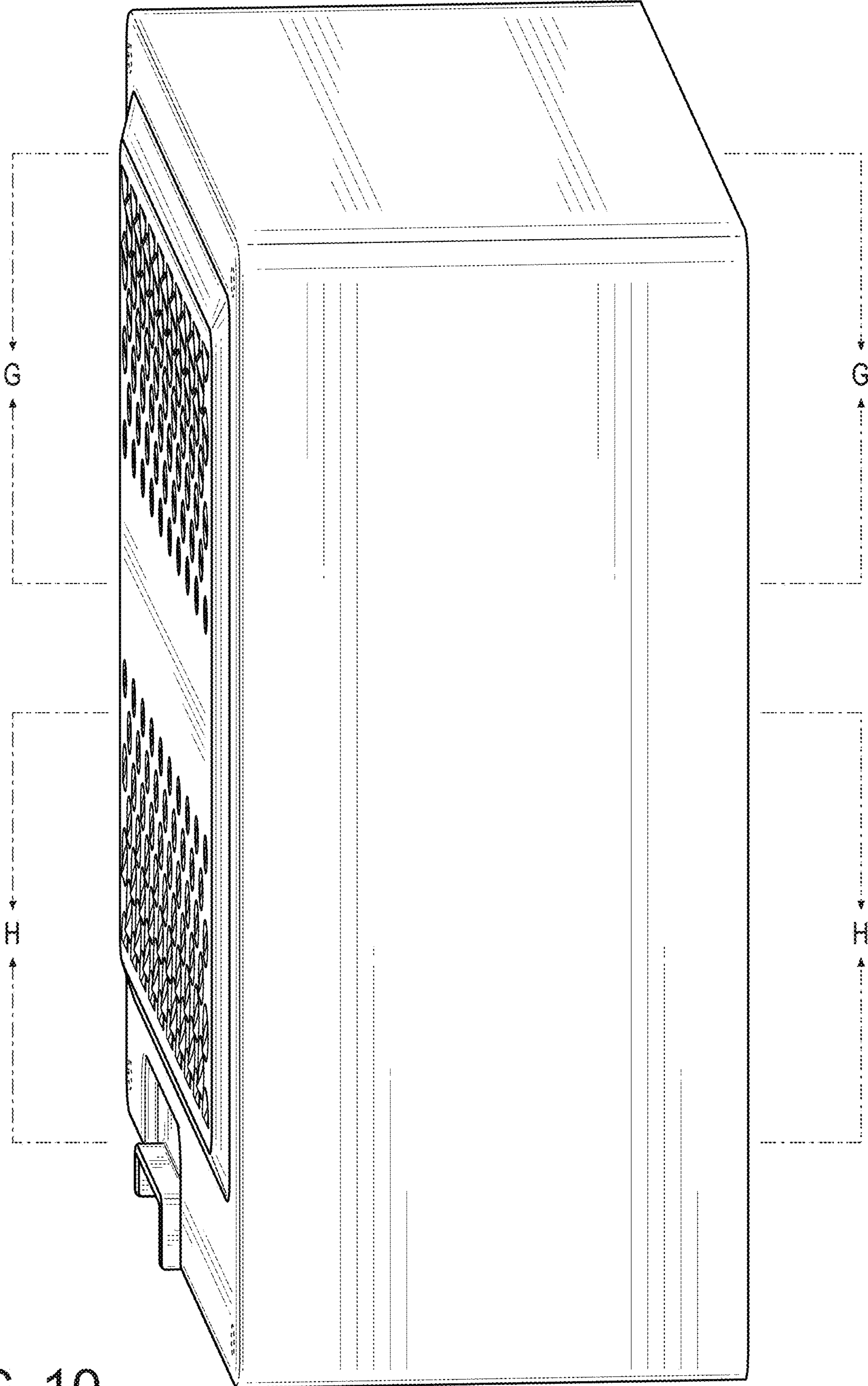


FIG. 10

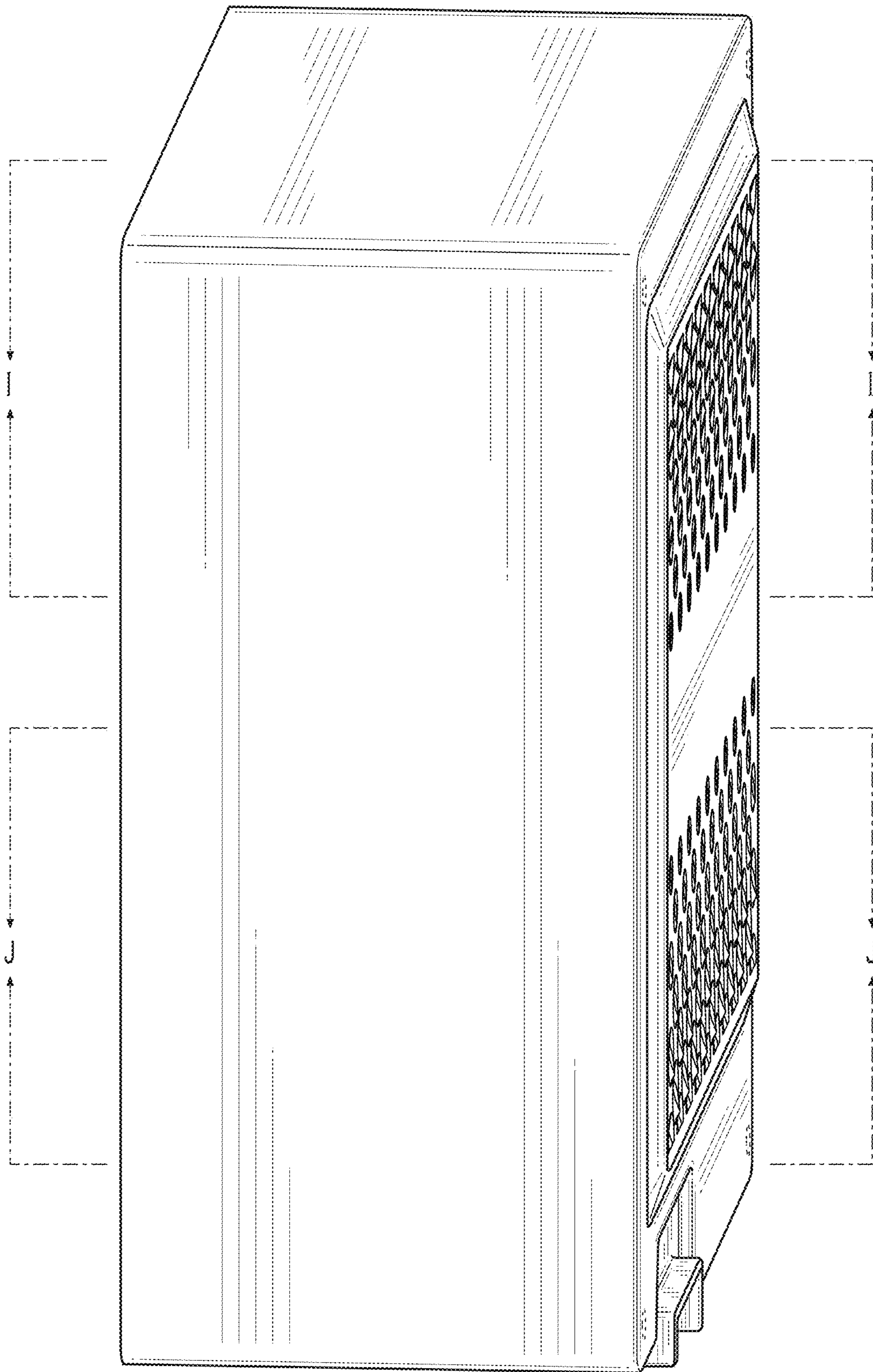


FIG. 11

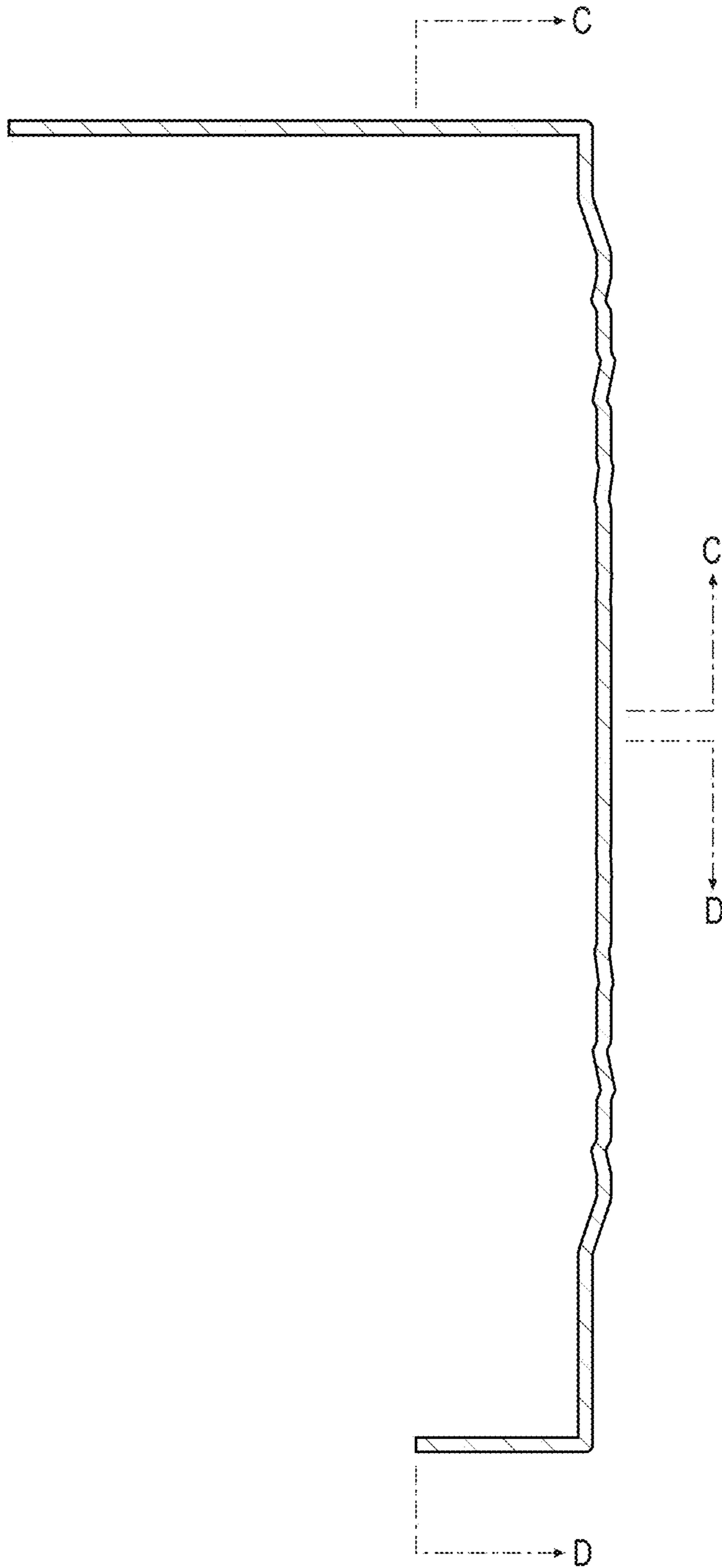


FIG. 12

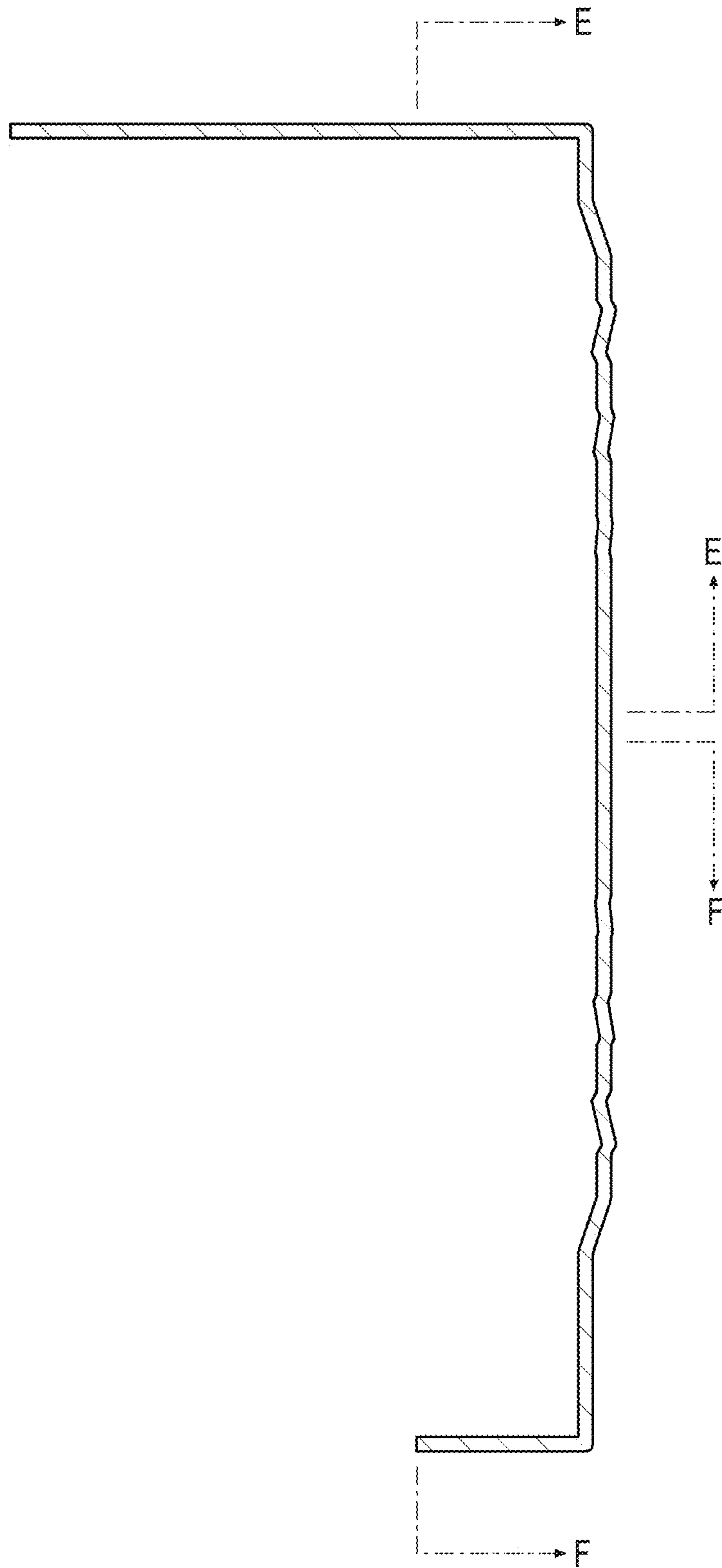


FIG. 13

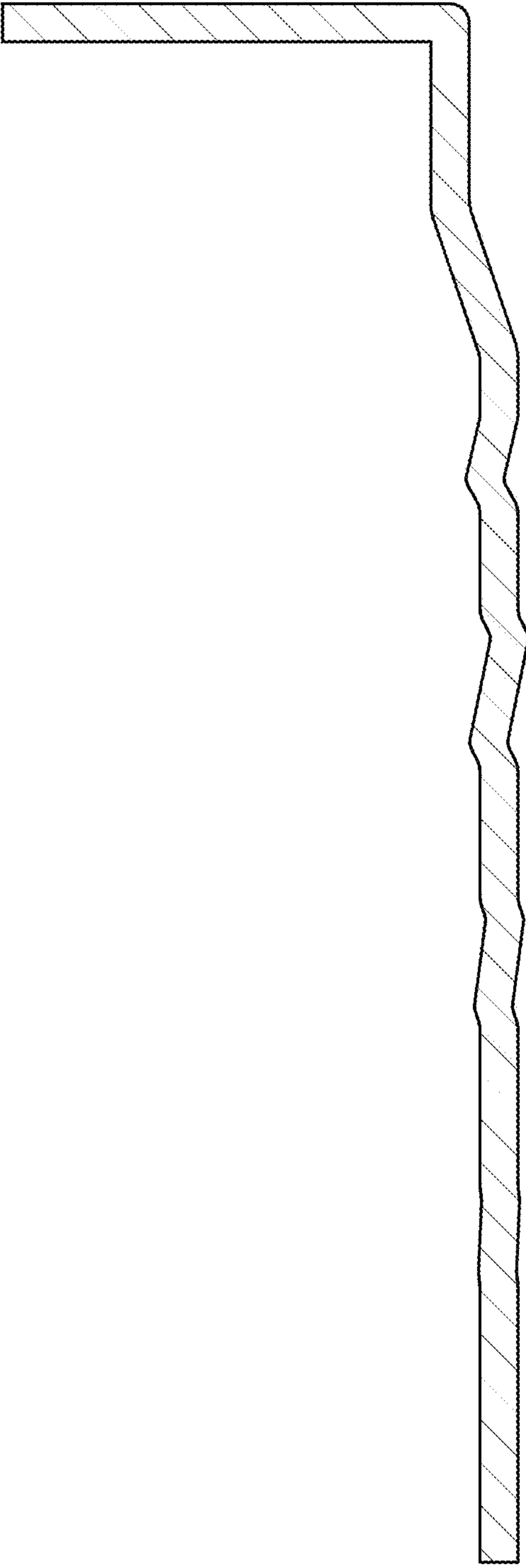


FIG. 14

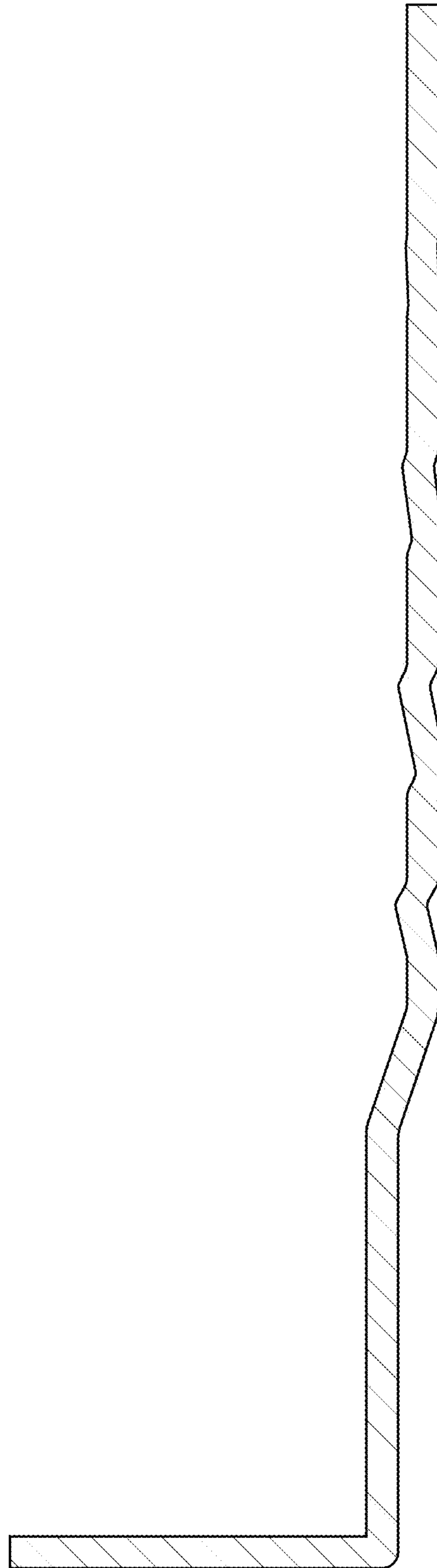


FIG. 15

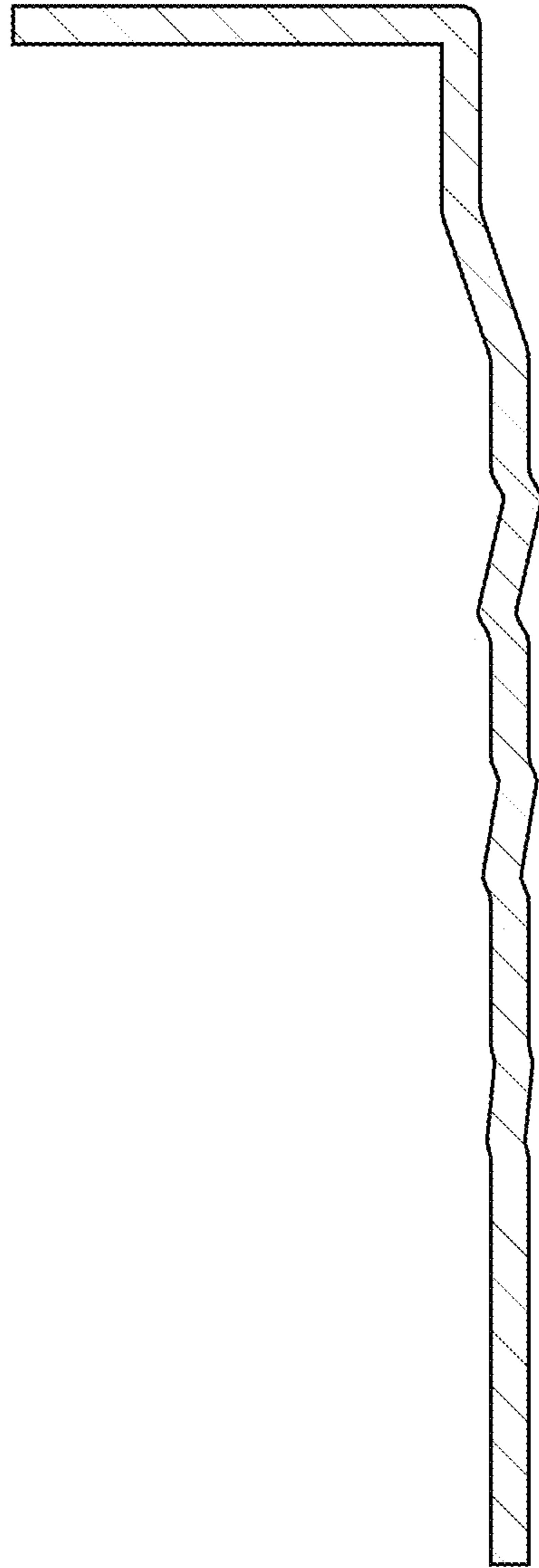


FIG. 16

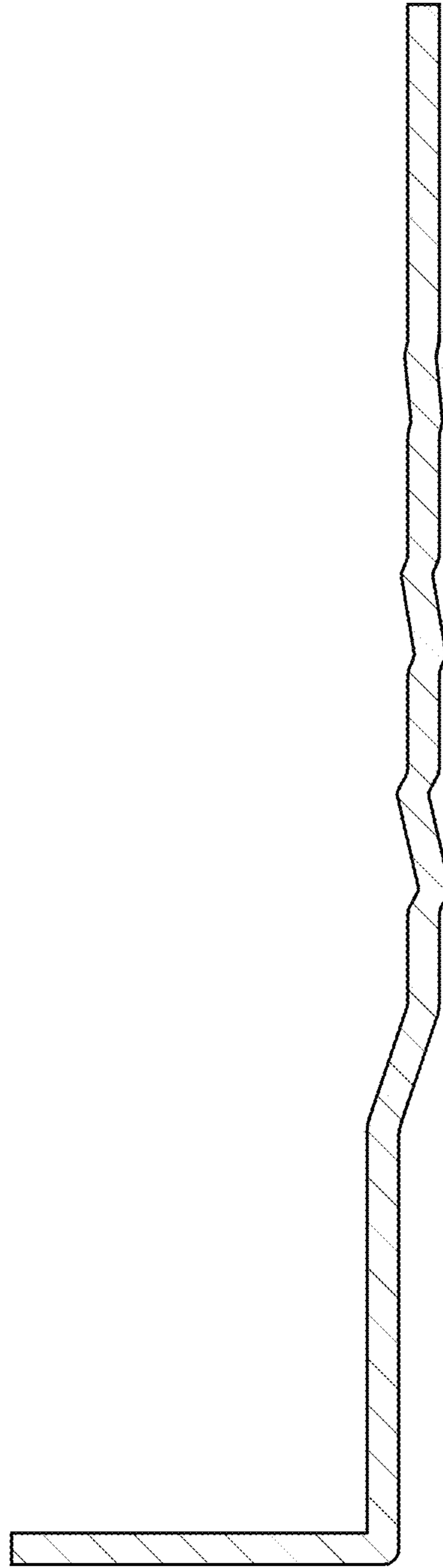


FIG. 17



FIG. 18

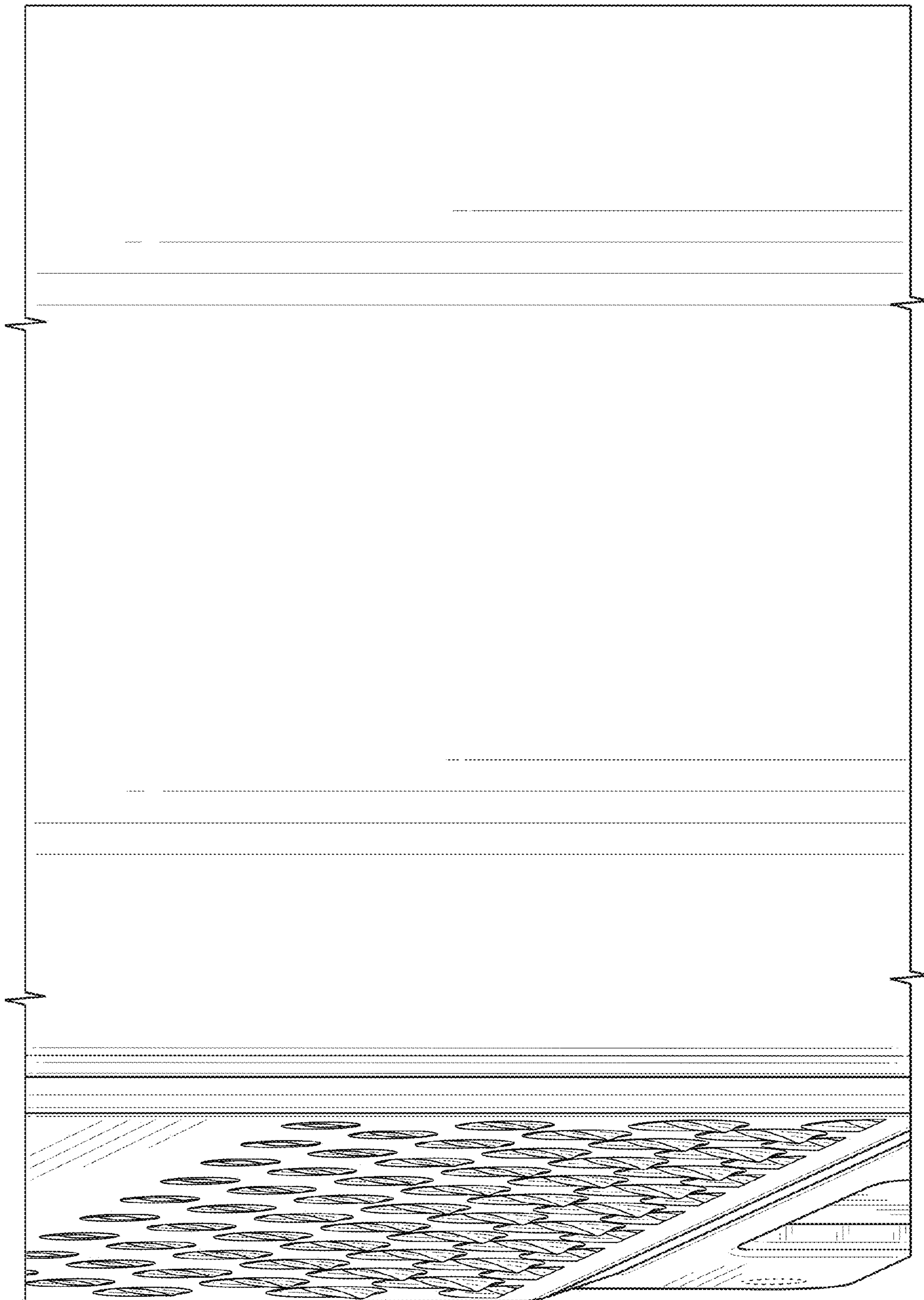


FIG. 19

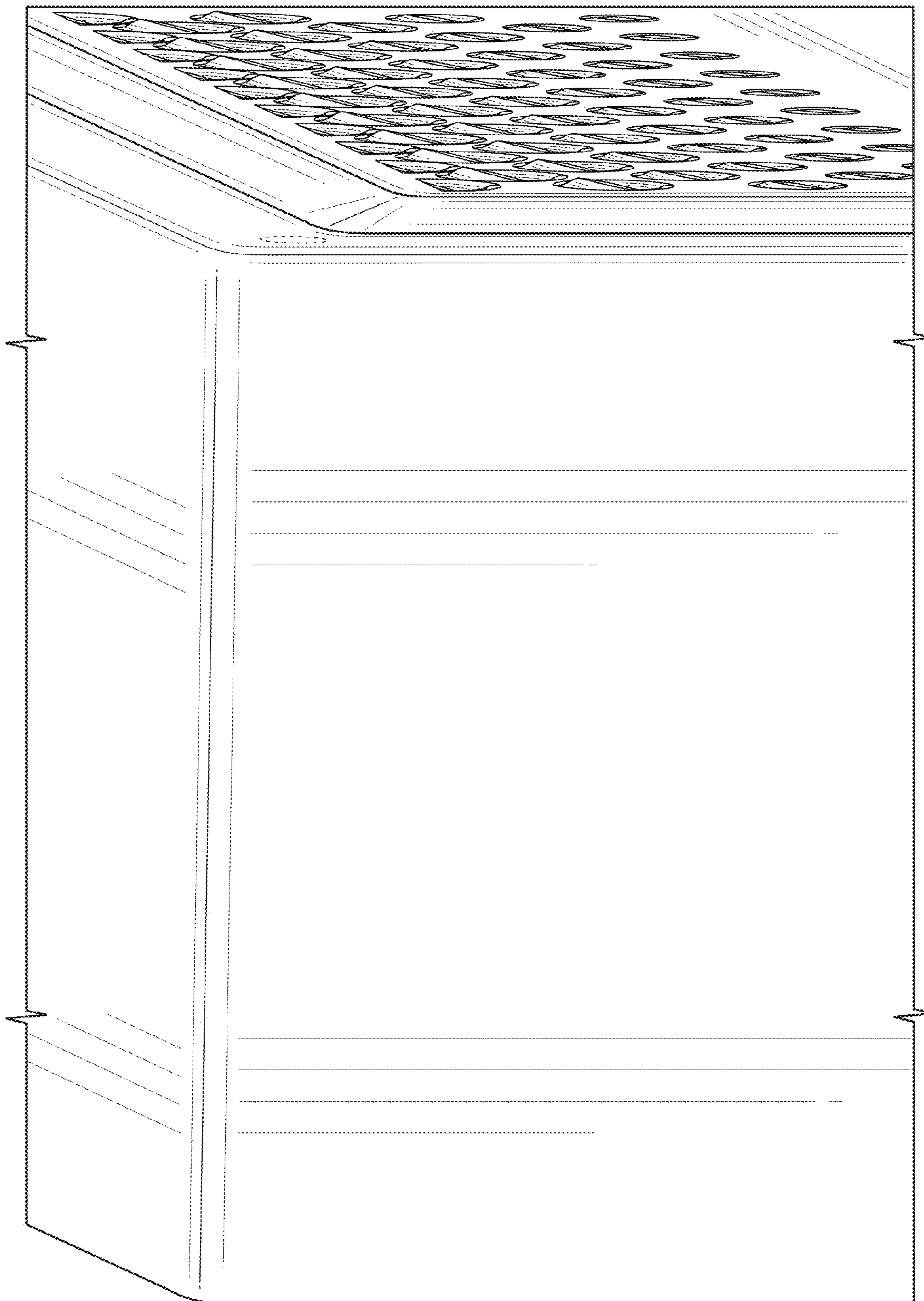


FIG. 20

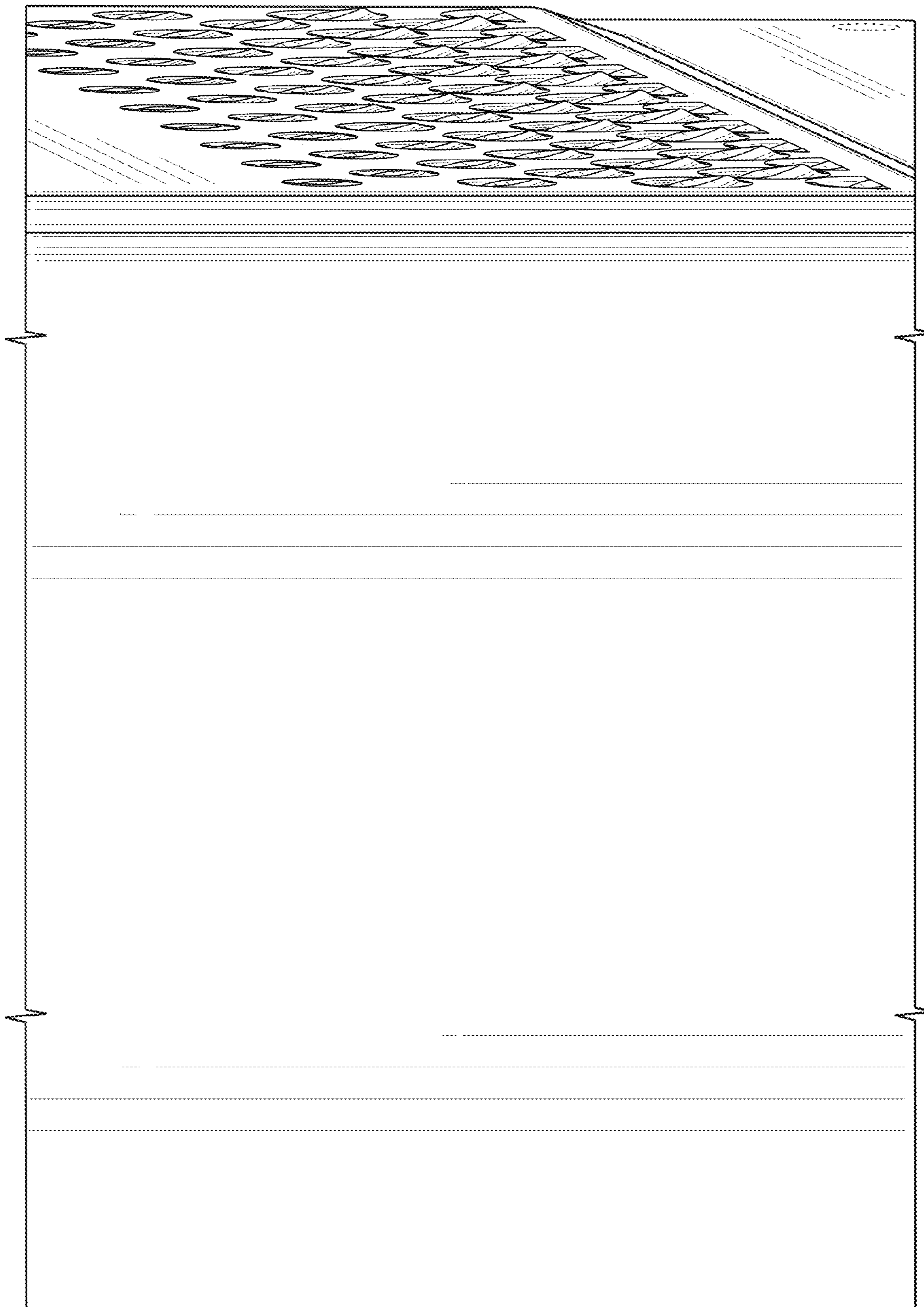


FIG. 21