



US00D972511S

(12) **United States Design Patent** (10) **Patent No.:** **US D972,511 S**
Lu (45) **Date of Patent:** **** Dec. 13, 2022**

(54) **BATTERY BOX**

(71) Applicant: **Shenzhen Ampere Time Digital Energy Technology Co., Ltd.,**
Shenzhen (CN)

(72) Inventor: **Haijun Lu, Shenzhen (CN)**

(**) Term: **15 Years**

(21) Appl. No.: **29/842,466**

(22) Filed: **Jun. 14, 2022**

(30) **Foreign Application Priority Data**

May 25, 2022 (CN) 202230313480.2

(51) **LOC (13) Cl.** **13-02**

(52) **U.S. Cl.**
USPC **D13/118**

(58) **Field of Classification Search**
USPC D13/103–106, 110, 118–119, 184, 199,
D13/120–121; D3/273, 274, 276, 291
CPC H01M 10/0413; H01M 10/0445; H01M
10/0436; H01M 10/05; H01M 10/052;
H01M 50/10; H01M 50/103; H01M
50/20; H01M 50/204; H01M 50/209;
H01M 50/258; H01M 8/24; H01M
8/2404; H01M 8/249

See application file for complete search history.

(56) **References Cited**

U.S. PATENT DOCUMENTS

D284,959 S * 8/1986 Berg D13/184
D299,227 S * 1/1989 Grannen, III D13/104
D360,877 S * 8/1995 Ropponen D13/184
D373,755 S * 9/1996 Chen D13/103
D378,081 S * 2/1997 Antonczak D13/184
D388,251 S * 12/1997 Smith D3/291
D390,834 S * 2/1998 Dizon D13/184
D418,477 S * 1/2000 Sunagawa D13/104
D419,132 S * 1/2000 Suzuki D13/104

D448,565 S * 10/2001 Sanderson D3/273
D500,205 S * 12/2004 DeCarlo D3/273
D501,083 S * 1/2005 Perella D3/276
D529,287 S * 10/2006 Perella D19/86
D596,399 S * 7/2009 Decarlo D3/294
D615,489 S * 5/2010 Masuda D13/103
D647,943 S * 11/2011 Jannard D16/237

(Continued)

OTHER PUBLICATIONS

“36" Aluminum Truck Underbody Tool Box Storage Underbed ATV RV Trailer Pickup Truck Tread Lock With Keys 36"×18"×18"(900*460*460mm)”, Amazon.com, first available on Mar. 31, 2020. <<https://www.amazon.com/Aluminum-Underbody-Storage-Underbed-Trailer/dp/B0B388M8TZ/>>. (Year: 2020).*

(Continued)

Primary Examiner — Rosemary K Tarcza

(74) *Attorney, Agent, or Firm* — Rumit Ranjit Kanakia

(57) **CLAIM**

The ornamental design for a battery box, as shown and described.

DESCRIPTION

FIG. 1 is a first perspective view of a battery box showing my new design;

FIG. 2 is a second perspective view thereof;

FIG. 3 is a front view thereof;

FIG. 4 is a back view thereof;

FIG. 5 is a left side view thereof;

FIG. 6 is a right side view thereof;

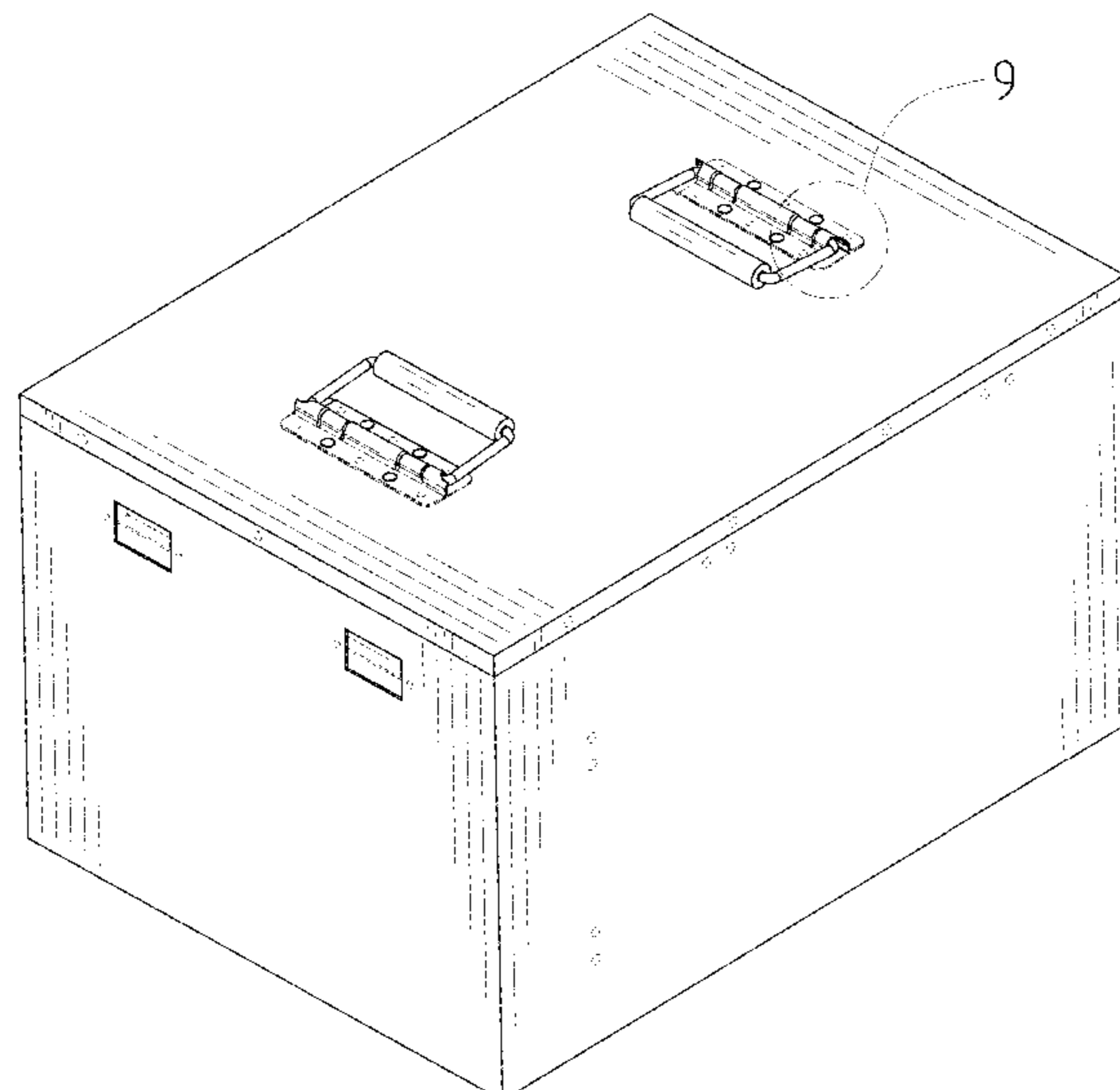
FIG. 7 is a top view thereof;

FIG. 8 is a bottom view thereof; and,

FIG. 9 is an enlarged view of the selected portion 9 in FIG. 1.

The broken lines shown in the drawings depict portions of the battery box that form no part of the claimed design.

1 Claim, 9 Drawing Sheets



(56)

References Cited

U.S. PATENT DOCUMENTS

8,608,003 B2 * 12/2013 Uno B65D 19/18
410/70
D906,954 S 1/2021 Ouyang
D911,930 S 3/2021 Xie
D917,381 S 4/2021 Ouyang
D920,938 S * 6/2021 Matti D13/184

OTHER PUBLICATIONS

“Phoenix USA SP14B Battery Box”, Amazon.com, first available on Nov. 22, 2014. <<https://www.amazon.com/Phoenix-USA-SP14B-Battery-Box/dp/B00PZZ60U4/>>. (Year: 2014).*

* cited by examiner

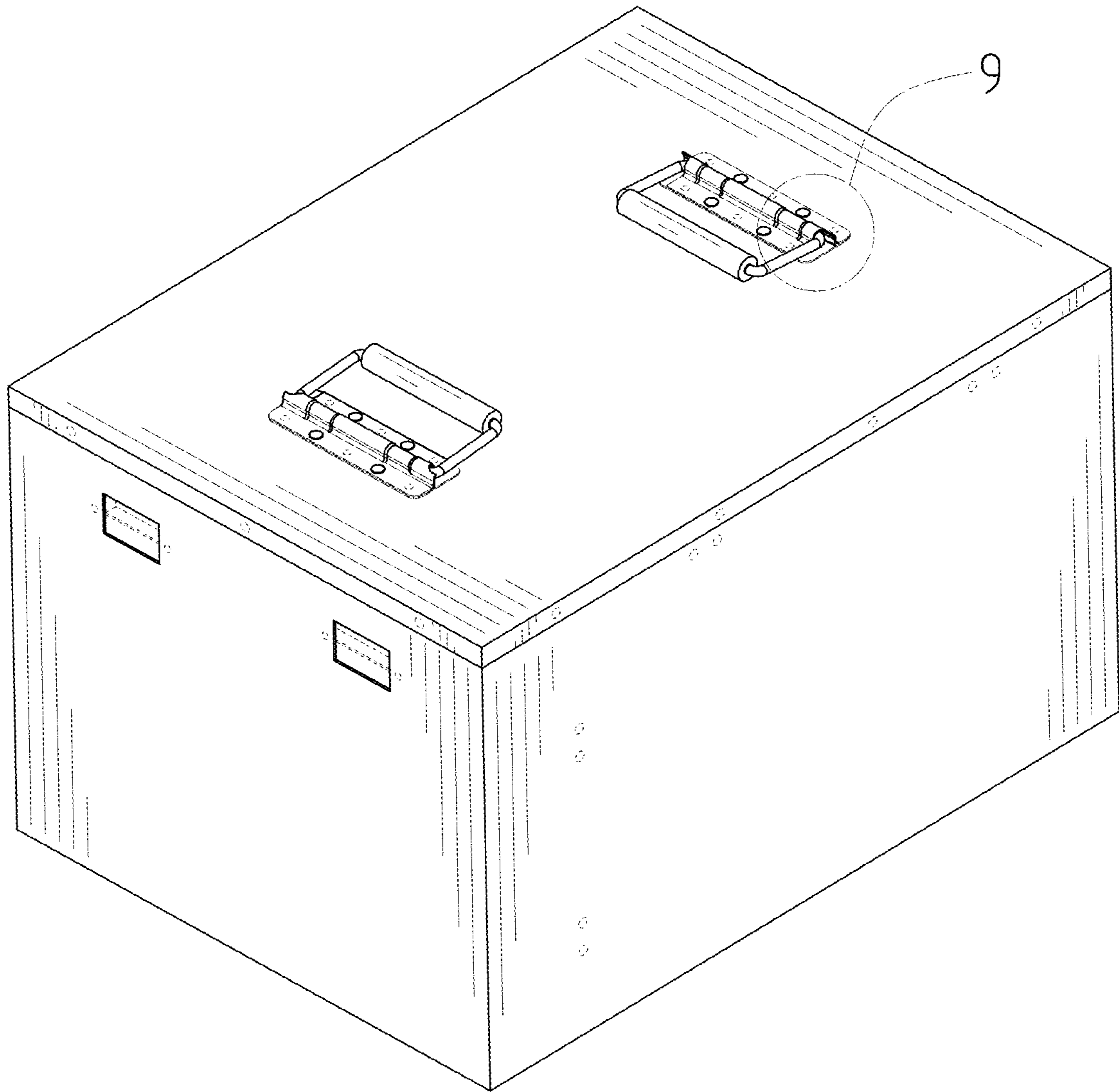


FIG. 1

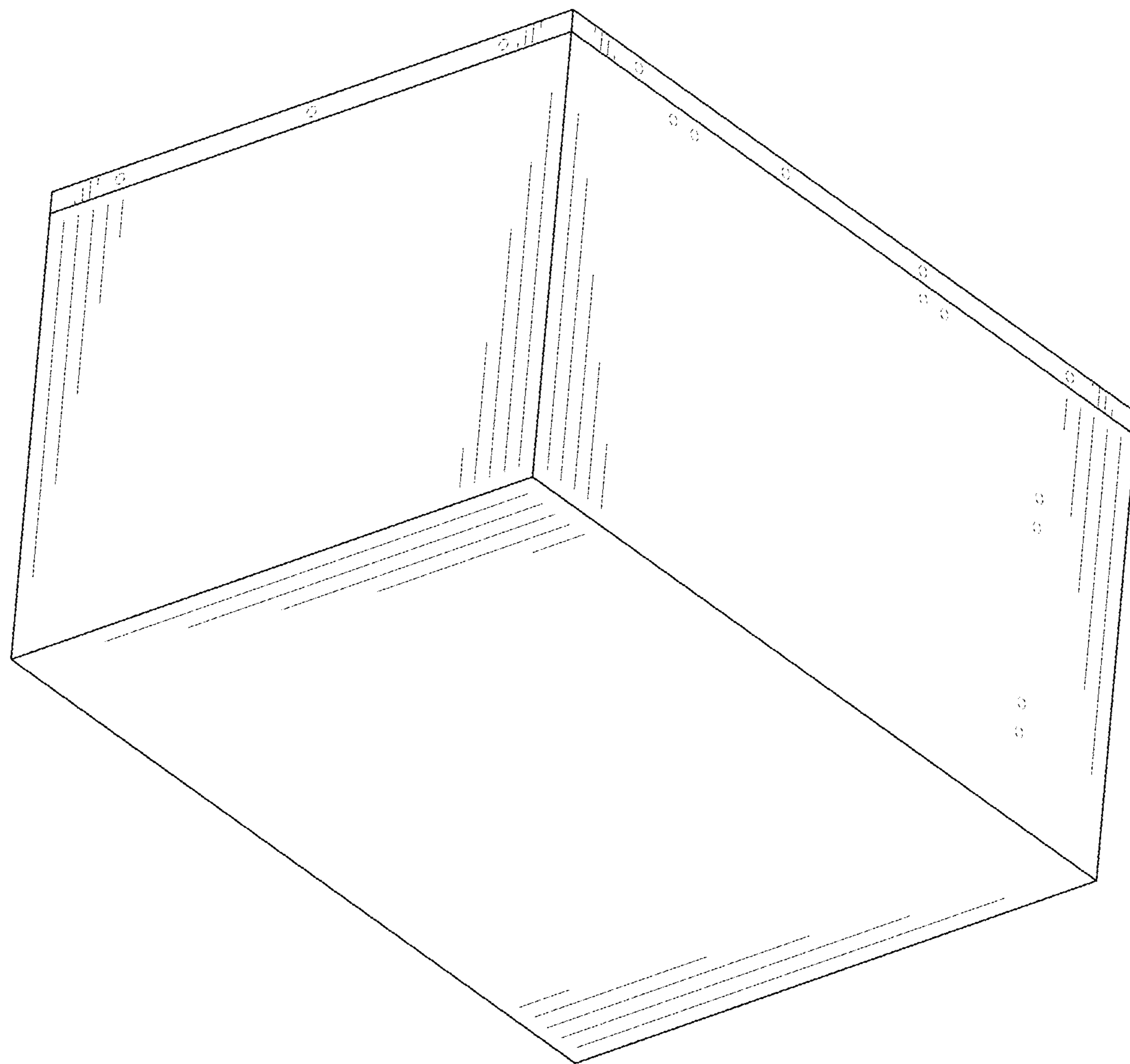


FIG. 2

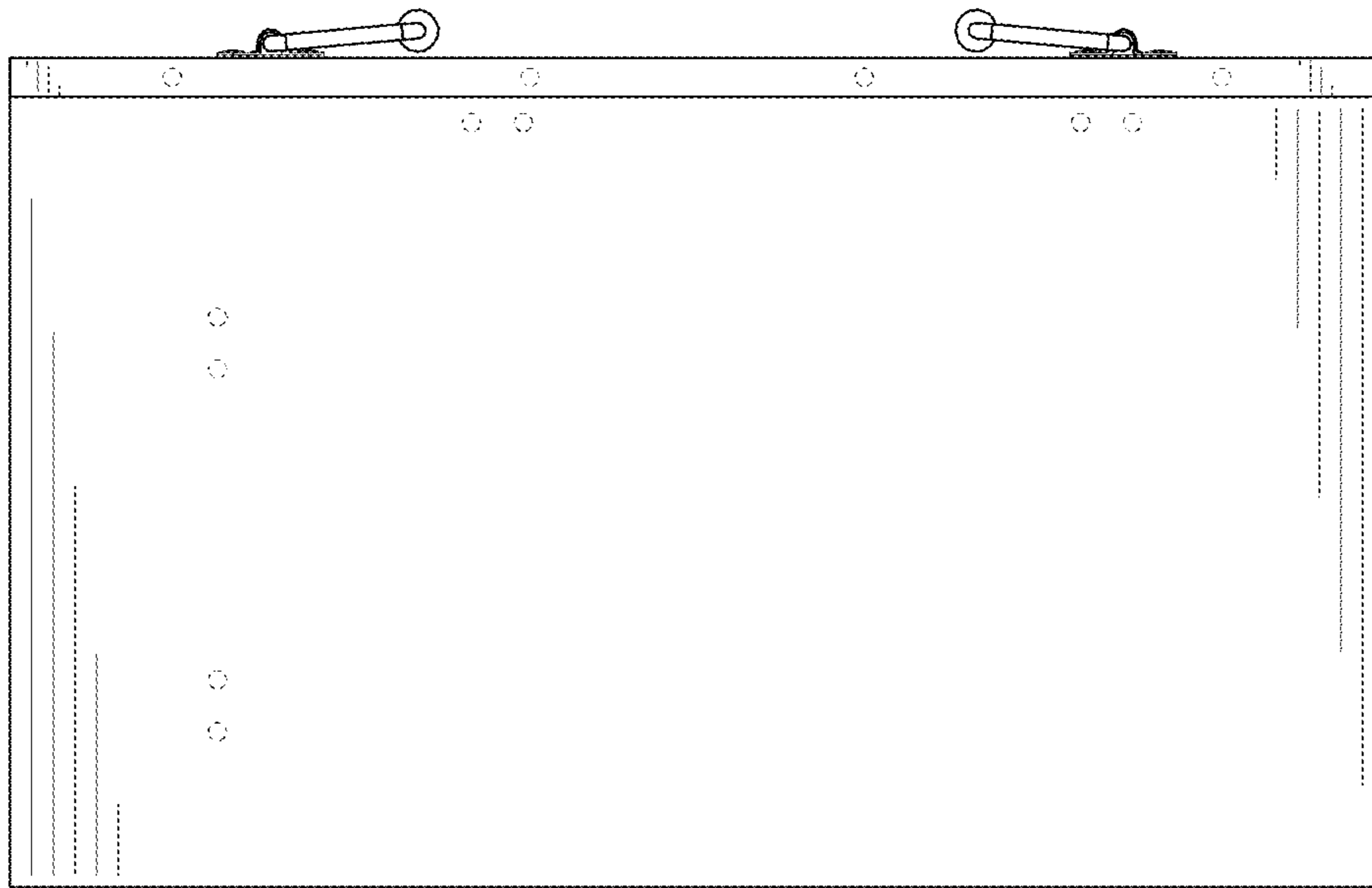


FIG. 3

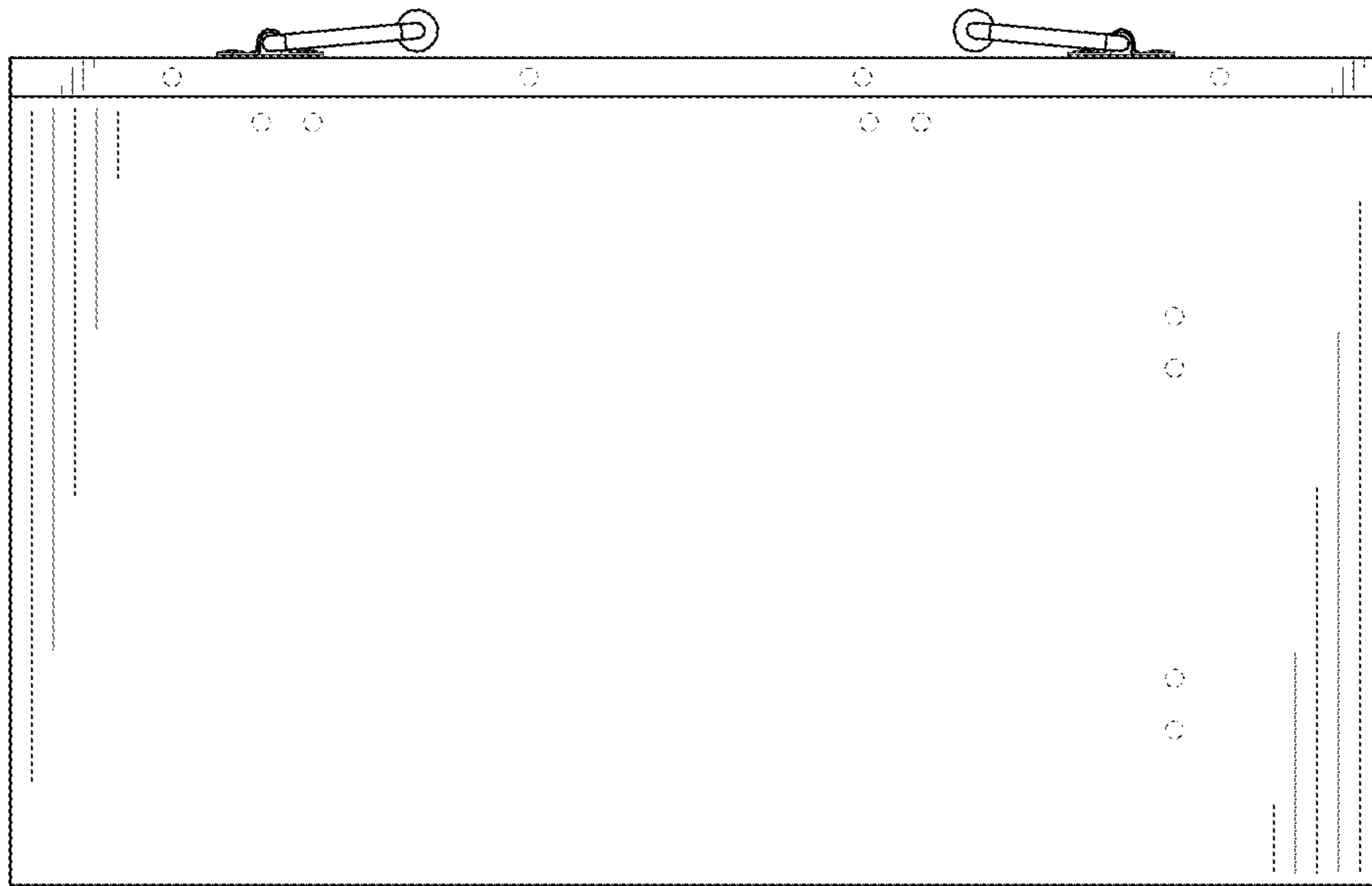


FIG. 4

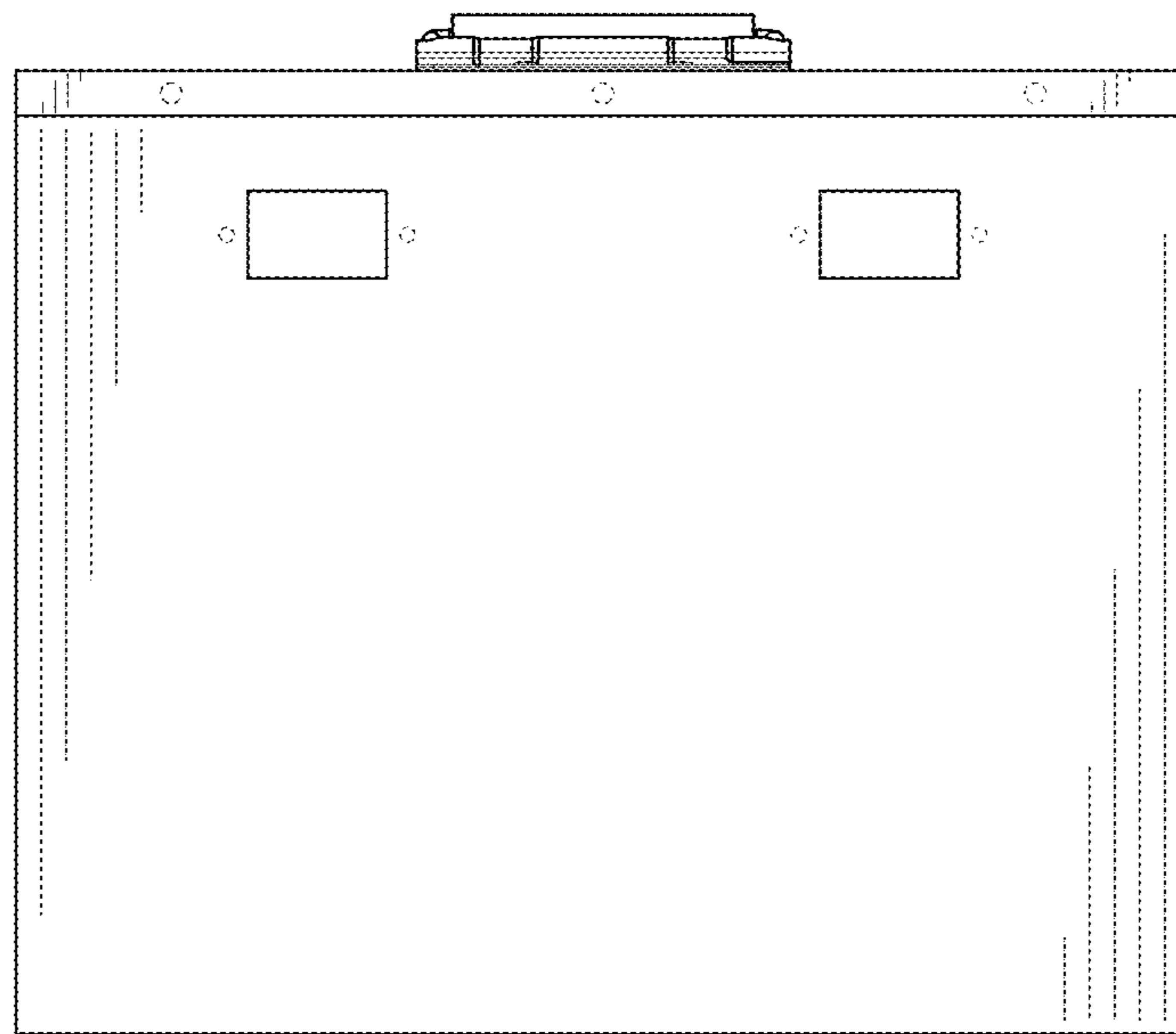


FIG. 5

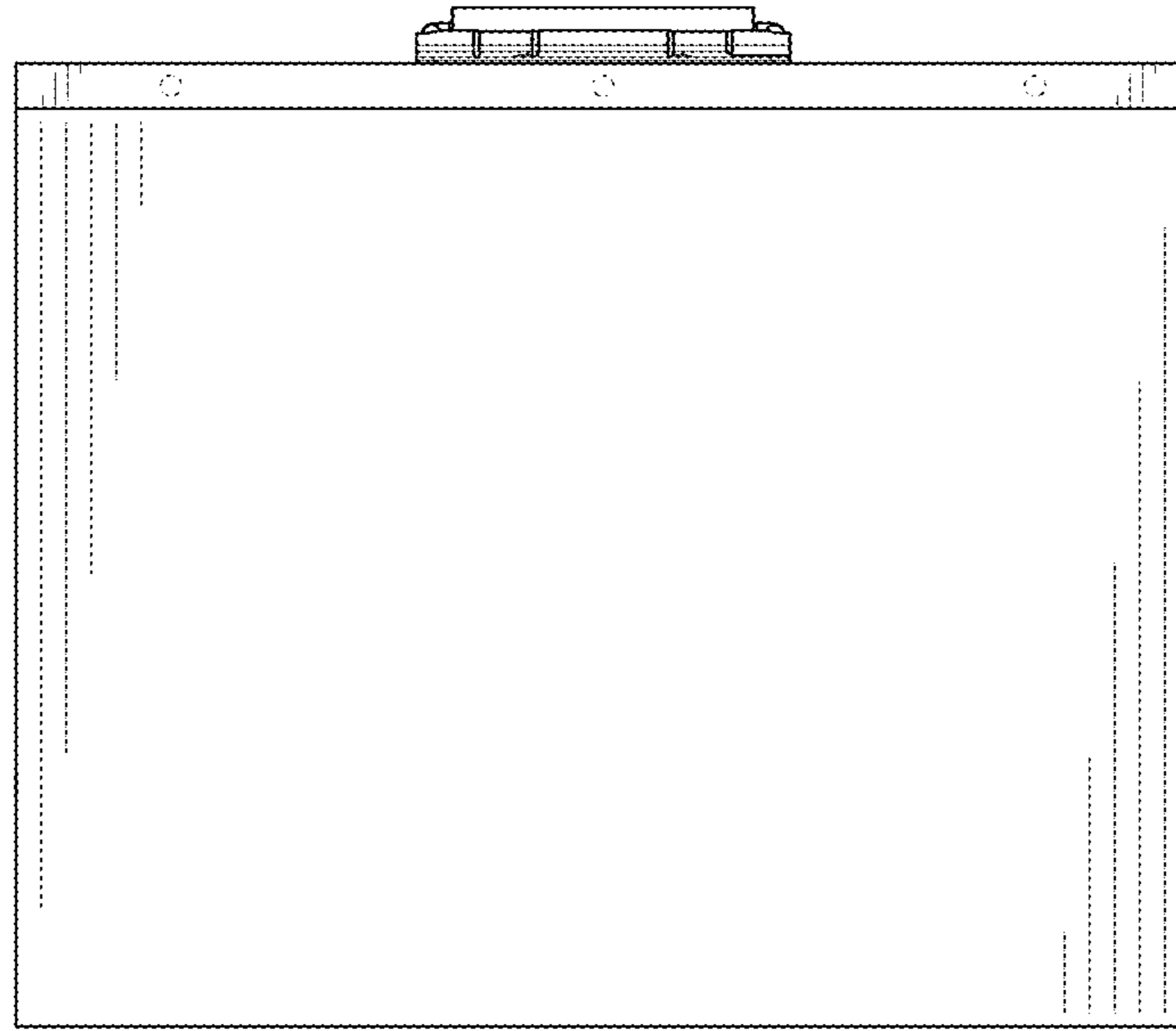


FIG. 6

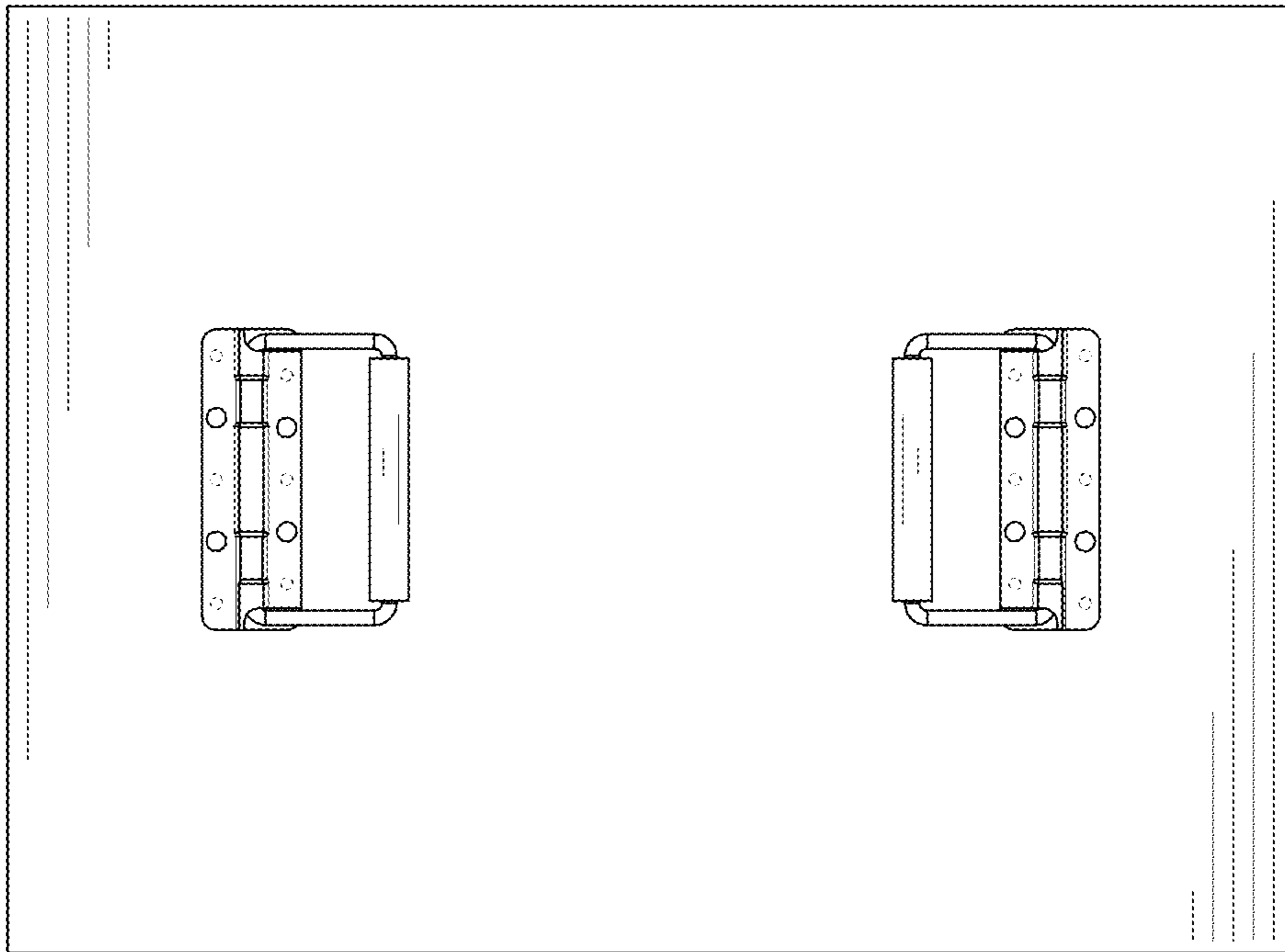


FIG. 7

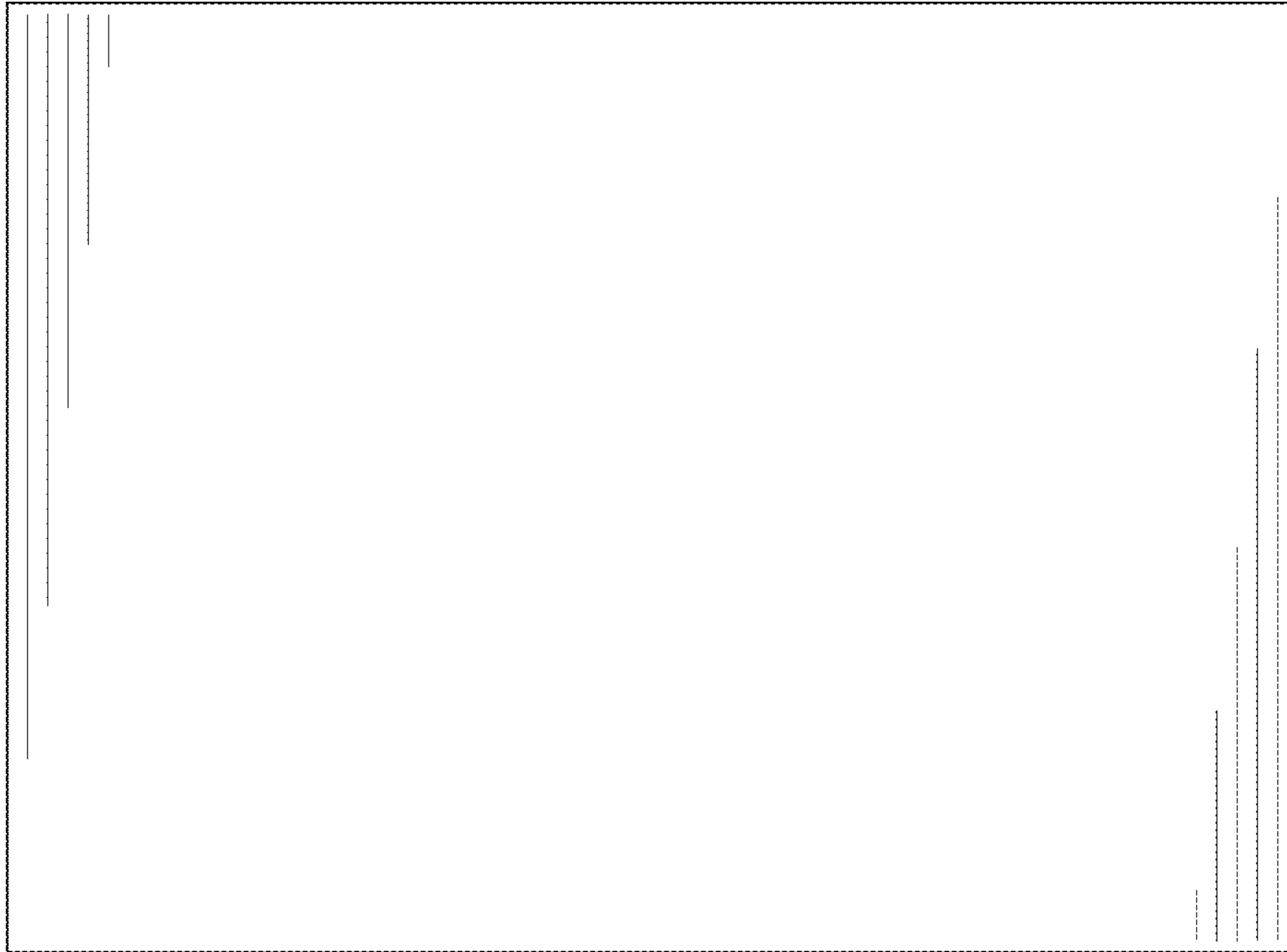


FIG. 8

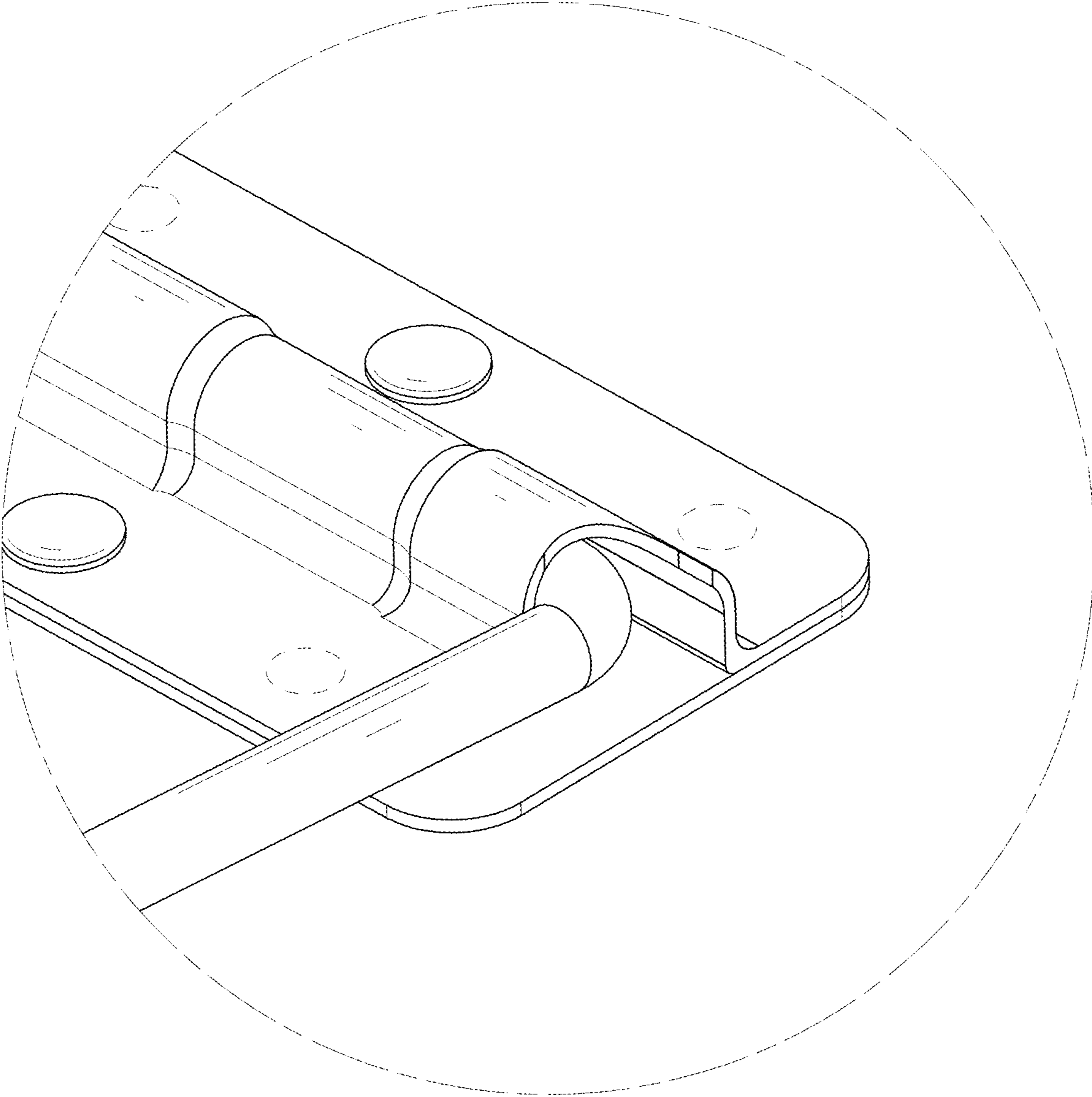


FIG. 9