



US00D972510S

(12) **United States Design Patent** (10) **Patent No.:** **US D972,510 S**
Hjort et al. (45) **Date of Patent:** **** Dec. 13, 2022**

(54) **MOTOR**

(71) Applicant: **Lego A/S**, Billund (DK)

(72) Inventors: **Sebastian Hjort**, Billund (DK);
Joachim Panduro Lysemose, Billund (DK); **Ole Terp**, Billund (DK); **Rene Christensen Wellejus**, Billund (DK);
Jonathan Nikolas Ørnstrup, Billund (DK); **Arthur Sacek**, Billund (DK)

(73) Assignee: **LEGO A/S**, Billund (DK)

(**) Term: **15 Years**

(21) Appl. No.: **29/775,750**

(22) Filed: **Mar. 25, 2021**

(51) **LOC (13) Cl.** **13-01**

(52) **U.S. Cl.**

USPC **D13/112**; D21/528

(58) **Field of Classification Search**

USPC D13/112, 113, 114, 118, 122, 184, 199;
D15/3, 5, 149, 199; D21/333, 478, 483,
D21/506, 528

CPC .. H02K 5/04; H02K 5/10; H02K 5/15; H02K
5/22; H02K 5/24; H02K 5/148; H02K
5/225; H02K 29/14; H02K 1/30; H02K
1/32; H02K 1/2786; H02K 3/24; H02K
3/47; H02K 11/21; H02K 11/22; H02K
11/33; H02P 6/06; Y10T 74/2186; Y10T
74/19684; Y10T 74/1987; Y10T
74/19884; A63H 33/042; A63H 33/062;
A63H 33/101

See application file for complete search history.

(56) **References Cited**

U.S. PATENT DOCUMENTS

D317,477 S * 6/1991 Poulsen D21/500
5,346,420 A * 9/1994 Glickman A63H 33/042
446/124

D382,025 S * 8/1997 Doi D21/528
D383,509 S * 9/1997 Karasaw 446/471
D394,286 S * 5/1998 Hirose D21/528
D403,722 S * 1/1999 Zimmer D21/528
D627,722 S * 11/2010 Kuraishi D13/112
2017/0014726 A1 * 1/2017 Uno A63H 33/086
2018/0353871 A1 * 12/2018 Oschuetz B25J 9/08

OTHER PUBLICATIONS

Lego, Explore the Lego Education Spike Prime Motors, published on Aug. 11, 2020, retrieved Jul. 13, 2021, from the Internet URL: <https://www.youtube.com/watch?v=AOiUlz9ethU>.

Lego, Lego® Education Spike™ Prime Set, publicly available as early as Aug. 2019, retrieved Jul. 13, 2021, from the Internet URL: <https://www.lego.com/en-us/product/lego-education-spike-prime-set-45678>.

* cited by examiner

Primary Examiner — Derrick E Holland

(74) *Attorney, Agent, or Firm* — Fross Zelnick Lehrman & Zissu, P.C.; Charles T. J. Weigell, Esq.

(57) **CLAIM**

The ornamental design for a motor, as shown and described.

DESCRIPTION

FIG. 1 is a front perspective view of a motor showing our new design;

FIG. 2 is a back perspective view thereof;

FIG. 3 is a front view thereof;

FIG. 4 is a back view thereof;

FIG. 5 is a right side view thereof;

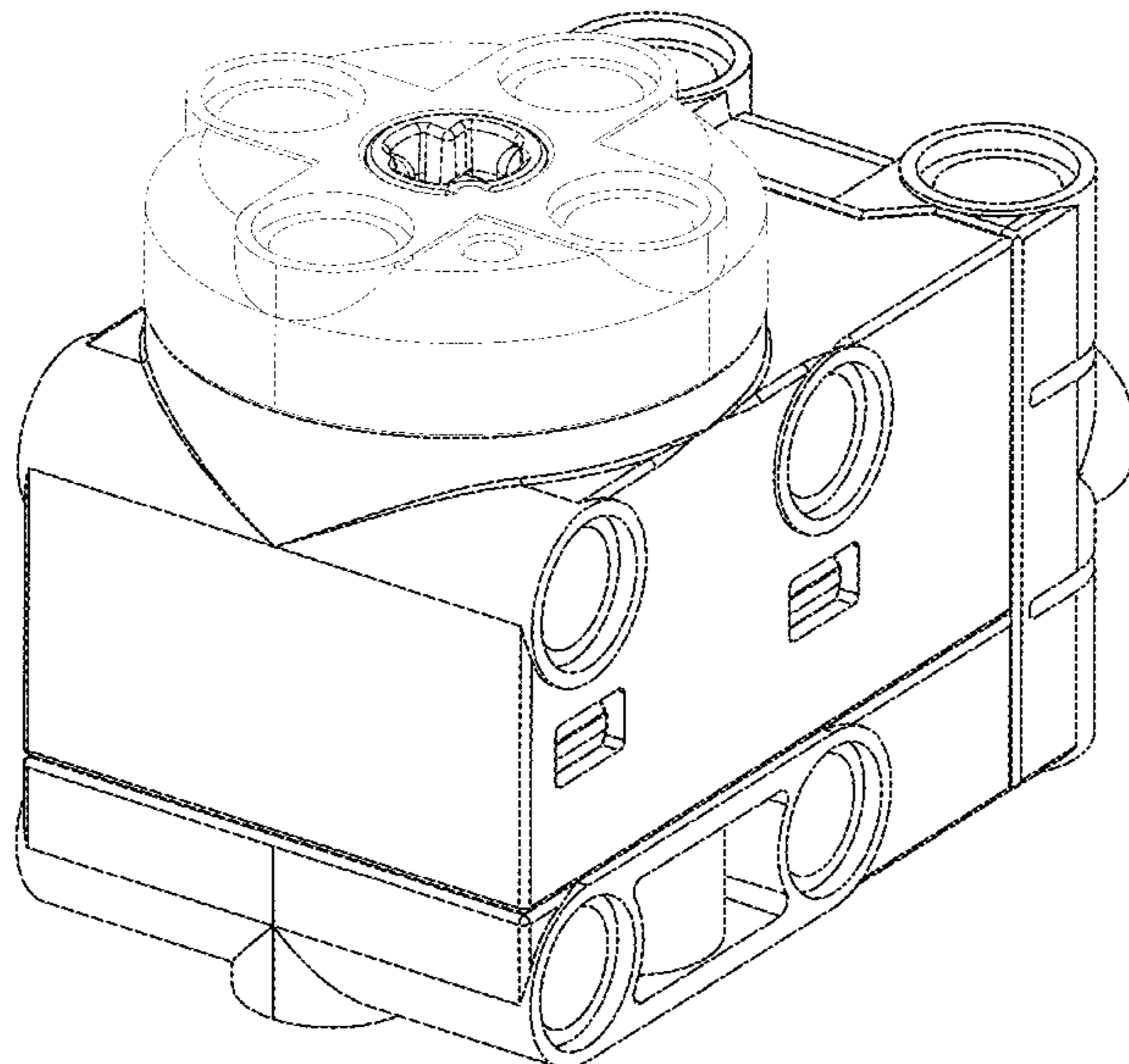
FIG. 6 is a left side view thereof;

FIG. 7 is a top view thereof; and,

FIG. 8 is a bottom view thereof.

The broken lines in the drawings represent environmental matter that forms no part of the claimed design.

1 Claim, 8 Drawing Sheets



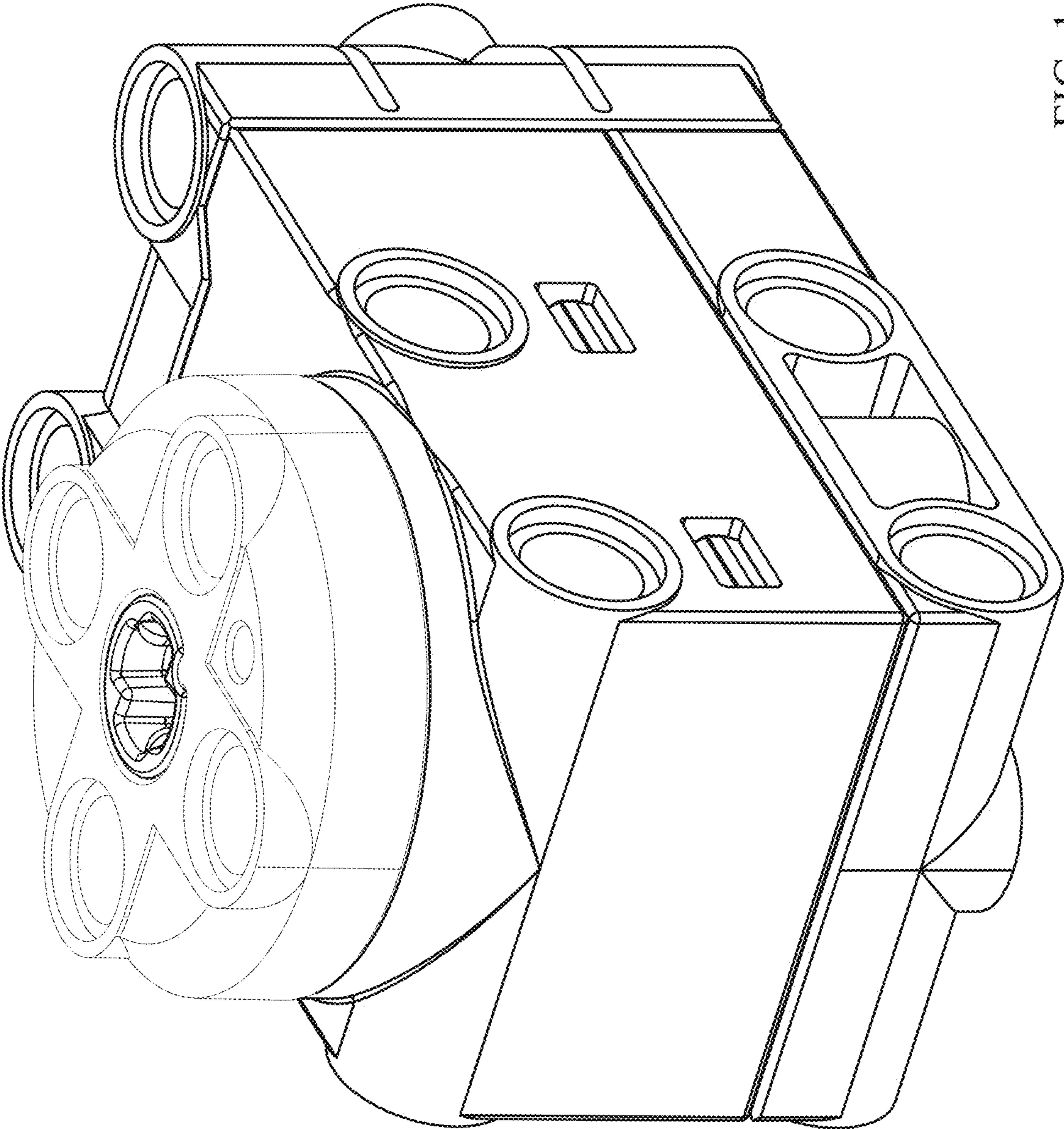


FIG. 1

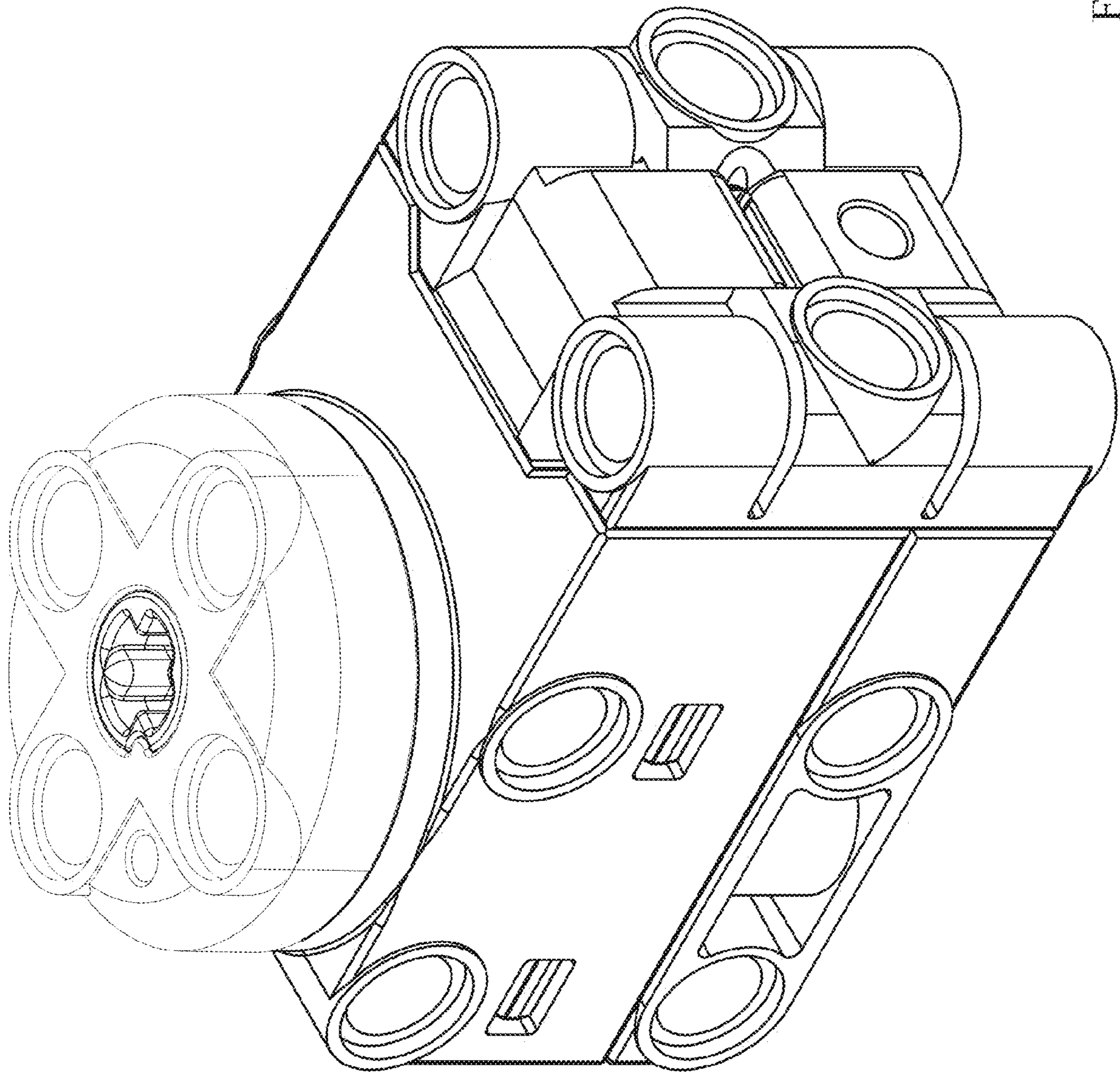


FIG. 2

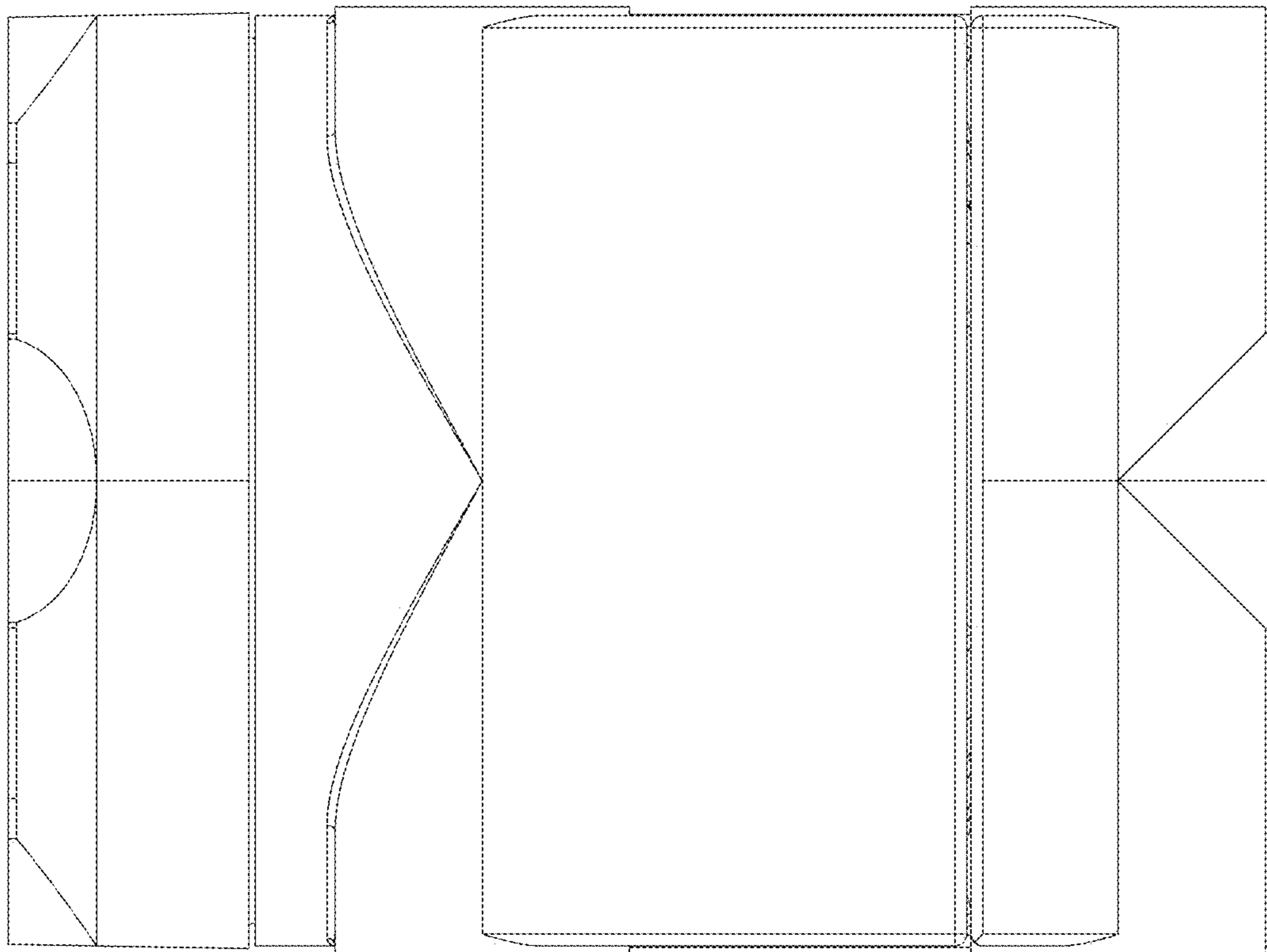


FIG. 3

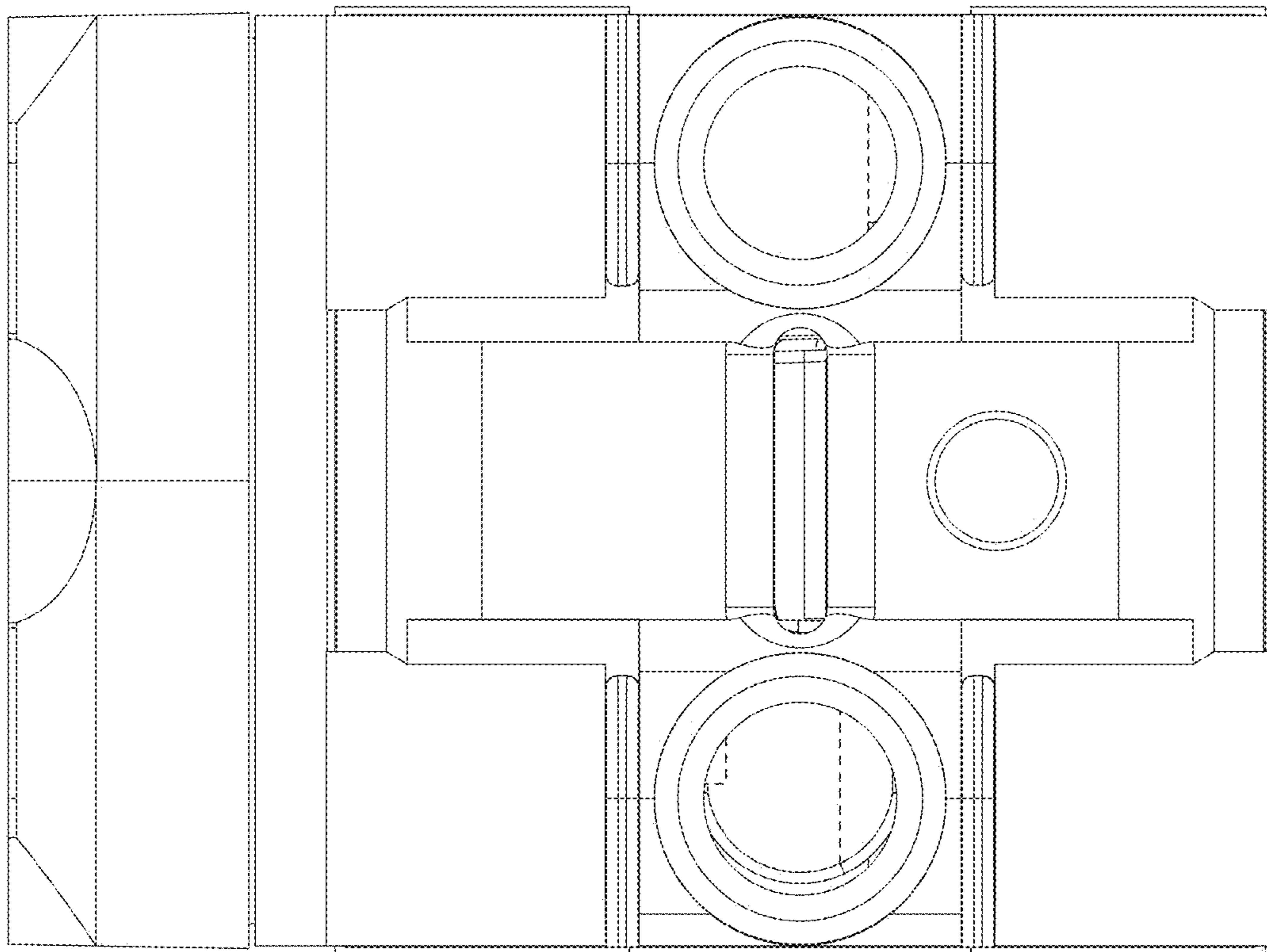


FIG. 4

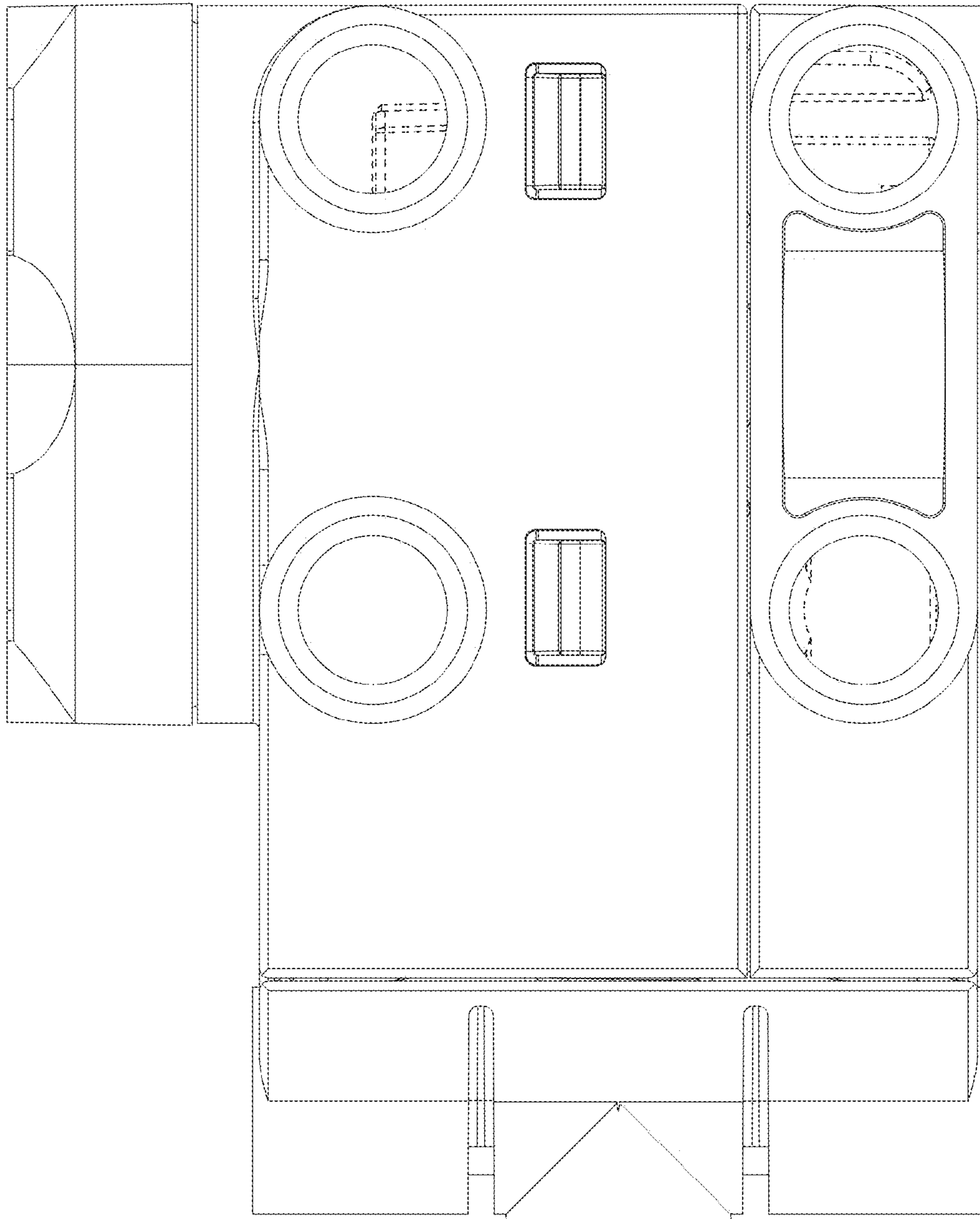


FIG. 5

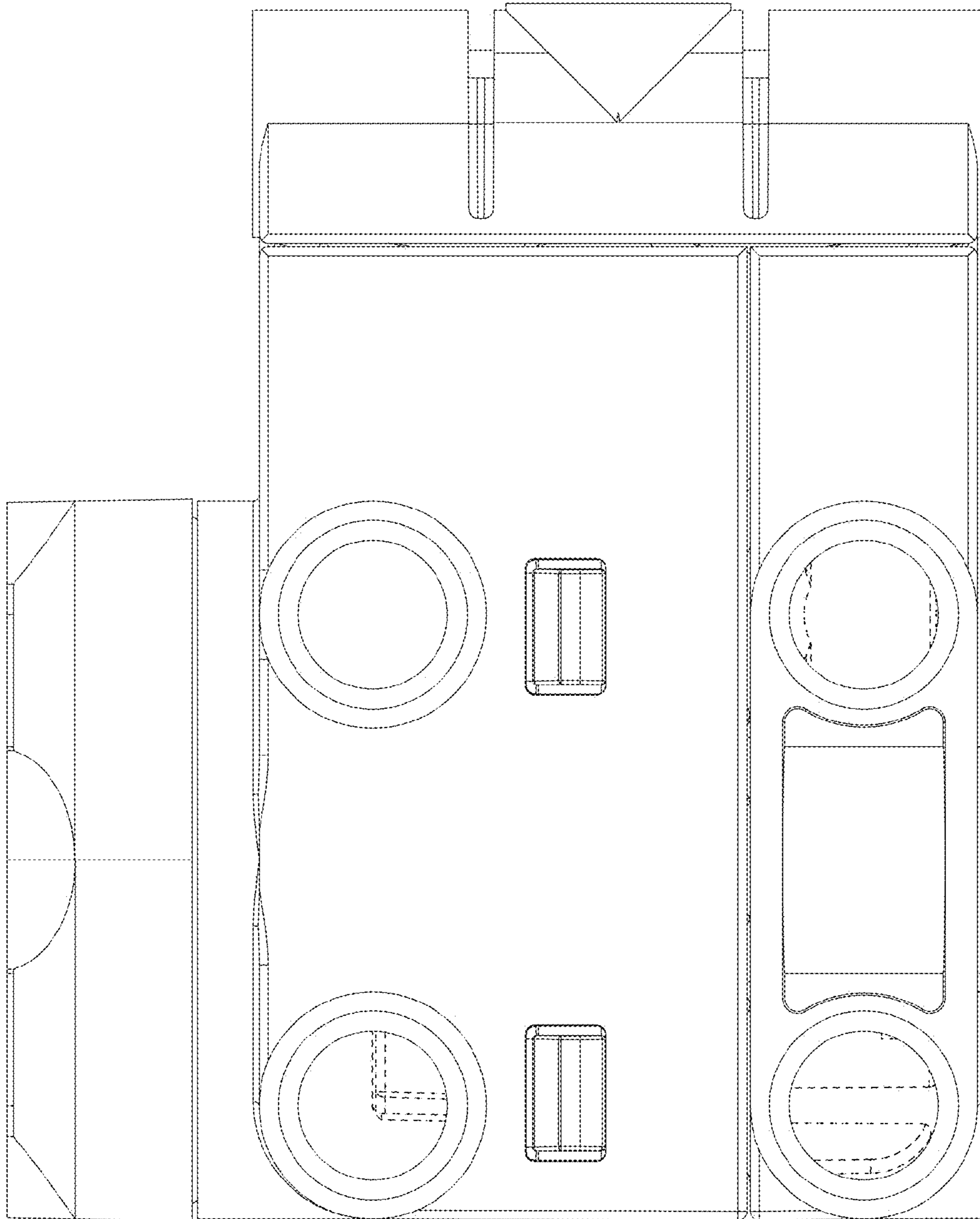


FIG. 6

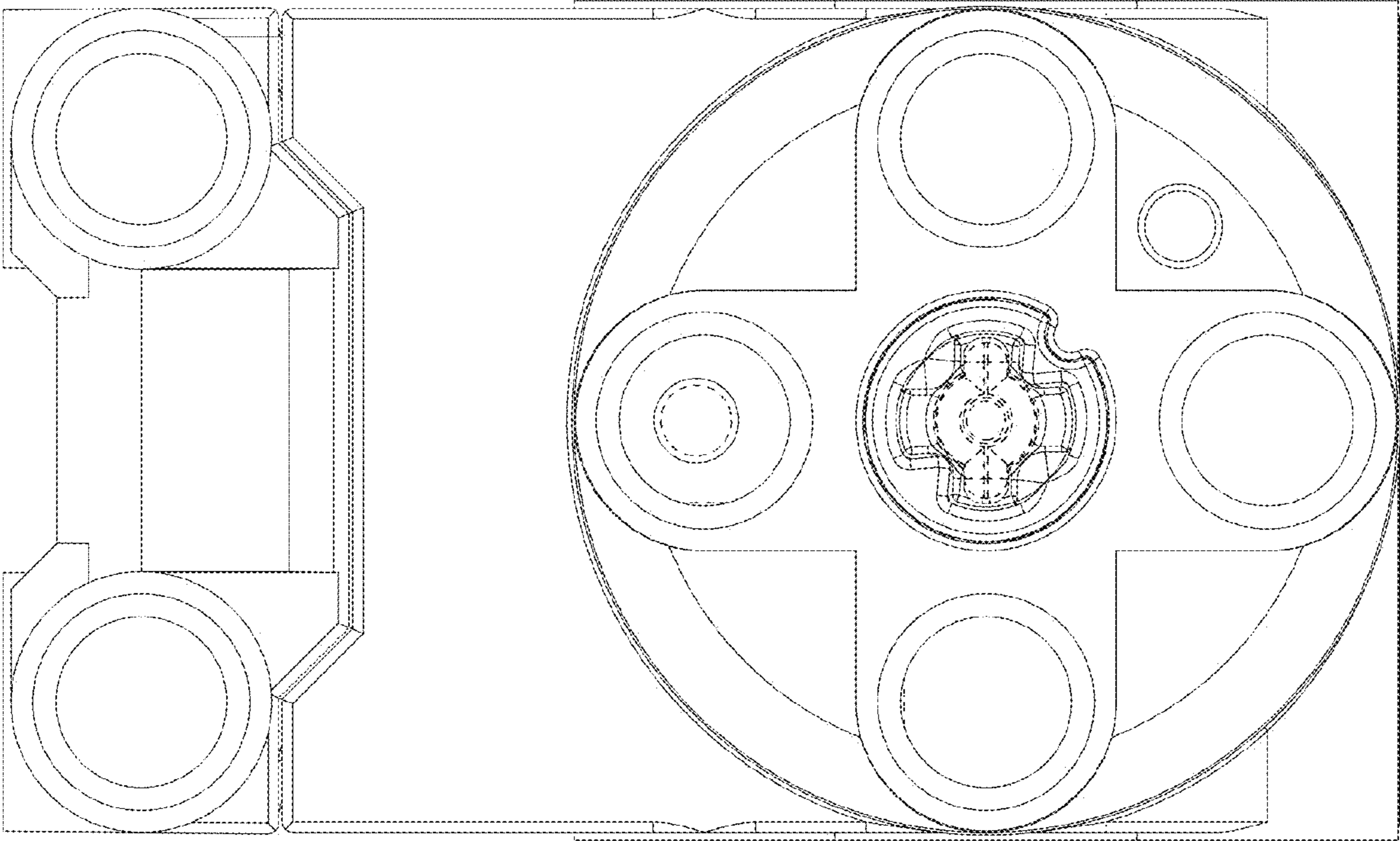


FIG. 7

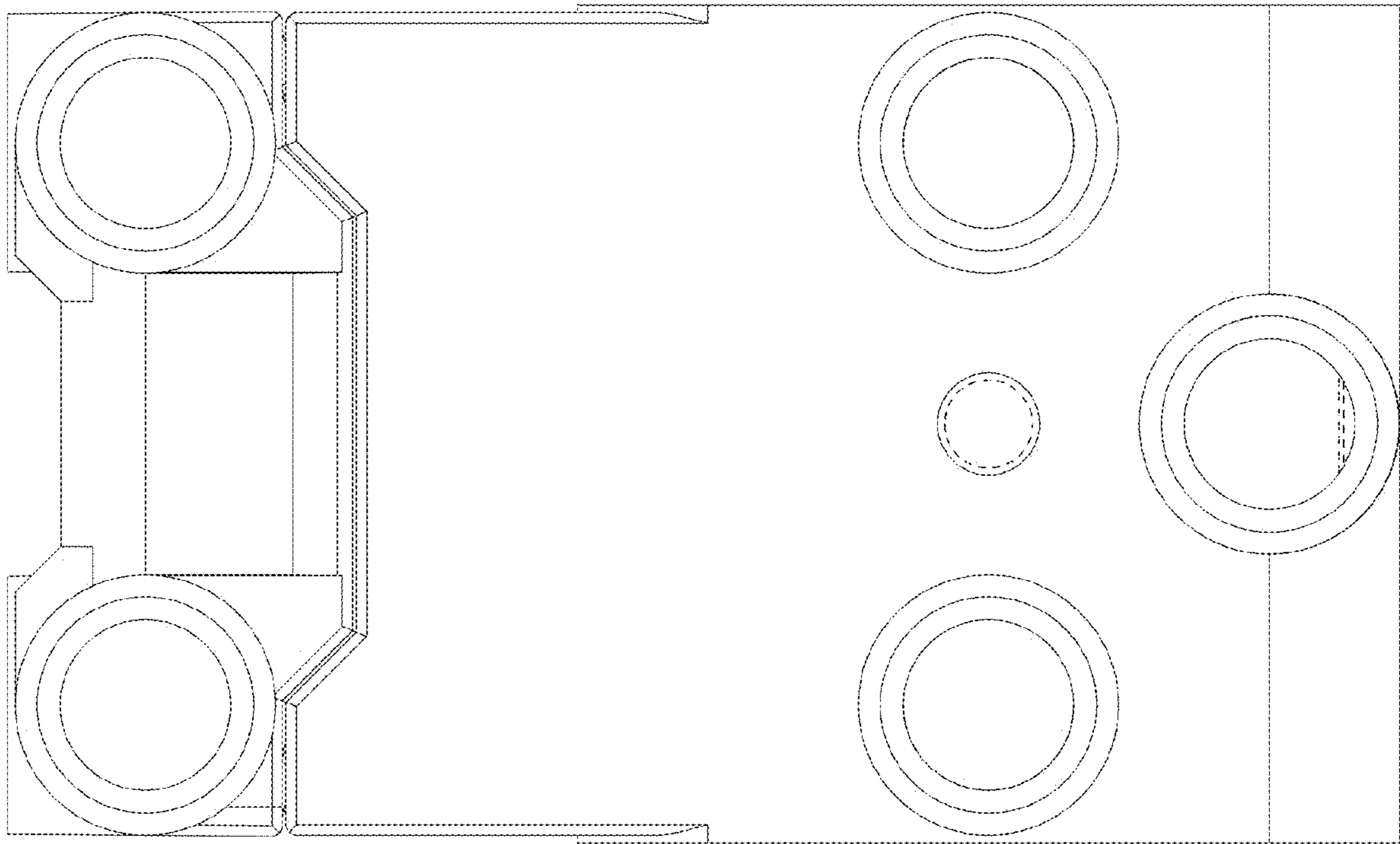


FIG. 8