



US00D972509S

(12) **United States Design Patent**
Mao

(10) **Patent No.:** **US D972,509 S**

(45) **Date of Patent:** **** Dec. 13, 2022**

(54) **PORTABLE POWER SUPPLY**
(71) Applicant: **ShenZhen RePower Times Technology Co., Ltd., Shenzhen (CN)**

D936,007 S * 11/2021 Huang D13/110
D938,355 S * 12/2021 Xiong D13/110
D942,940 S * 2/2022 Lai D13/103
D944,732 S * 3/2022 Sun D13/110

(Continued)

(72) Inventor: **Guangfu Mao, Guangdong (CN)**
(73) Assignee: **SHENZHEN REPOWER TIMES TECHNOLOGY CO., LTD., Shenzhen (CN)**

(**) Term: **15 Years**

(21) Appl. No.: **29/799,089**

(22) Filed: **Jul. 13, 2021**

(30) **Foreign Application Priority Data**
Jun. 11, 2021 (CN) 202130362018.7

(51) **LOC (13) Cl.** **13-02**

(52) **U.S. Cl.**
USPC **D13/110**

(58) **Field of Classification Search**
USPC D13/102, 103, 106–108, 110, 118–119, D13/184, 199, 112, 114, 116
CPC H02J 7/0042; H02J 7/0044; H02J 7/0045; H02J 7/0047; H02J 7/0003; H02J 7/00047; H02J 7/0013; H02J 7/0027; H02J 1/122; H02J 7/00; B60R 16/033; H01M 10/44; H01M 10/46
See application file for complete search history.

(56) **References Cited**
U.S. PATENT DOCUMENTS

D773,992 S * 12/2016 Krantz D13/110
D887,357 S * 6/2020 Liao D13/110
D897,284 S * 9/2020 Sun D13/103
D911,935 S * 3/2021 Alexander D13/107
D911,953 S * 3/2021 Yin D13/103
D930,585 S * 9/2021 Yu D13/110
D932,433 S * 10/2021 Tang D13/110

OTHER PUBLICATIONS

“Jackery Portable Power Station Explorer 1000, 1002Wh Solar Generator (Solar Panel Optional) with 3×110V/1000W AC Outlets, Solar Mobile Lithium Battery Pack for Outdoor RV/Van Camping, Emergency”, Amazon.com, first available on Jan. 7, 2020. <<https://www.amazon.com/dp/B083KBJ8Q/>>. (Year: 2020).*

Primary Examiner — Rosemary K Tarcza

(74) *Attorney, Agent, or Firm* — Andrew C. Cheng

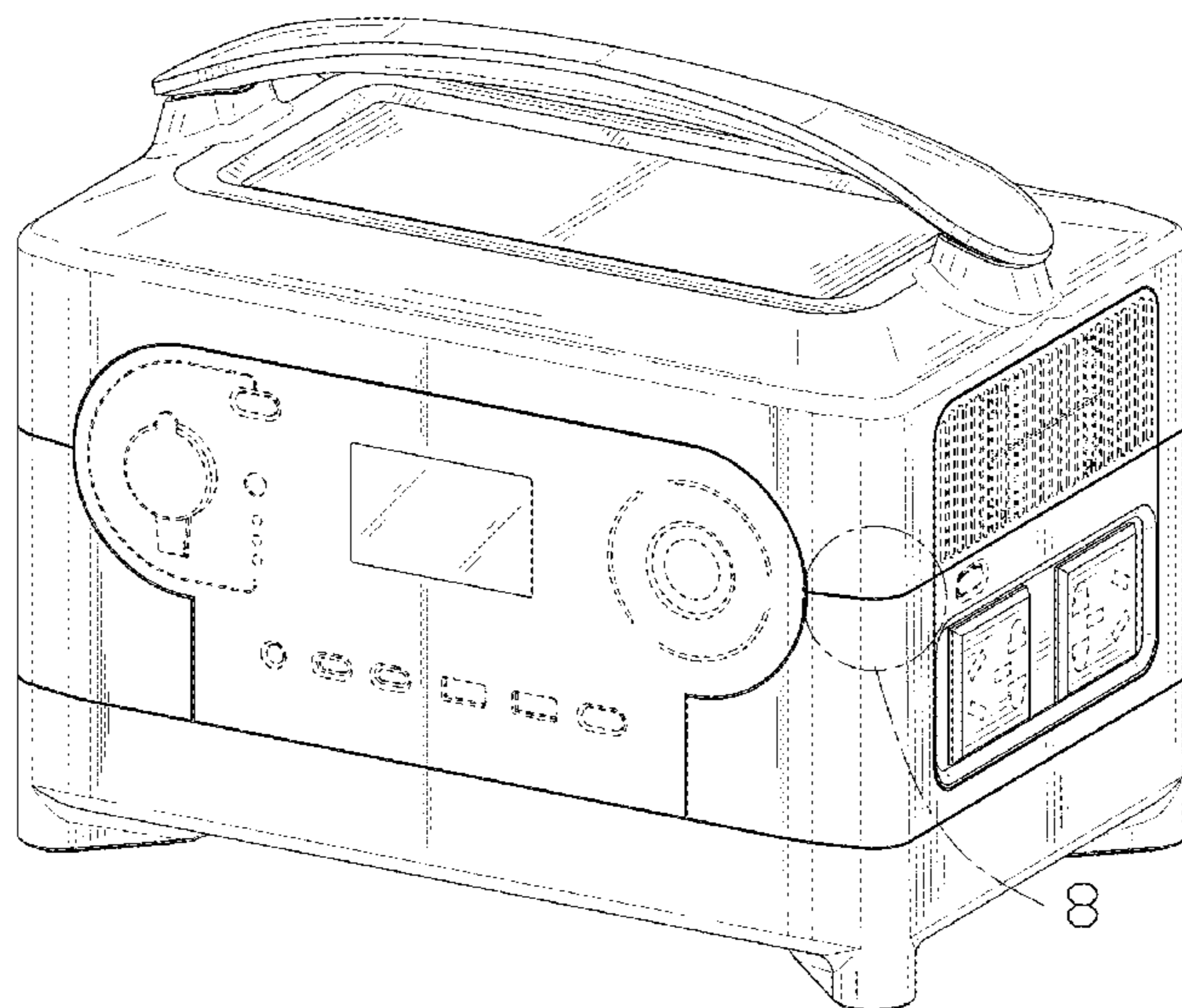
(57) **CLAIM**

I claim the ornamental design for a portable power supply, as shown and described.

DESCRIPTION

FIG. 1 is a perspective view of a portable power supply showing my new design;
FIG. 2 is a front view of the portable power supply of FIG. 1;
FIG. 3 is a rear view of the portable power supply of FIG. 1;
FIG. 4 is a left side view of the portable power supply of FIG. 1;
FIG. 5 is a right side view of the portable power supply of FIG. 1;
FIG. 6 is a top view of the portable power supply of FIG. 1;
FIG. 7 is a bottom view of the portable power supply of FIG. 1; and,
FIG. 8 is an enlarged view of an encircled portion 8 of the portable power supply of FIG. 1.
The broken lines depict portions of the portable power supply in which the design is embodied that form no part of the claimed design.

1 Claim, 8 Drawing Sheets



(56)

References Cited

U.S. PATENT DOCUMENTS

D948,431 S *	4/2022	Ye	D13/110
D950,490 S *	5/2022	Yu	D13/110
D953,256 S *	5/2022	Lou	D13/107
D955,978 S *	6/2022	Wu	D13/103
D959,365 S *	8/2022	Sun	D13/103
D960,096 S *	8/2022	Li	D13/110

* cited by examiner

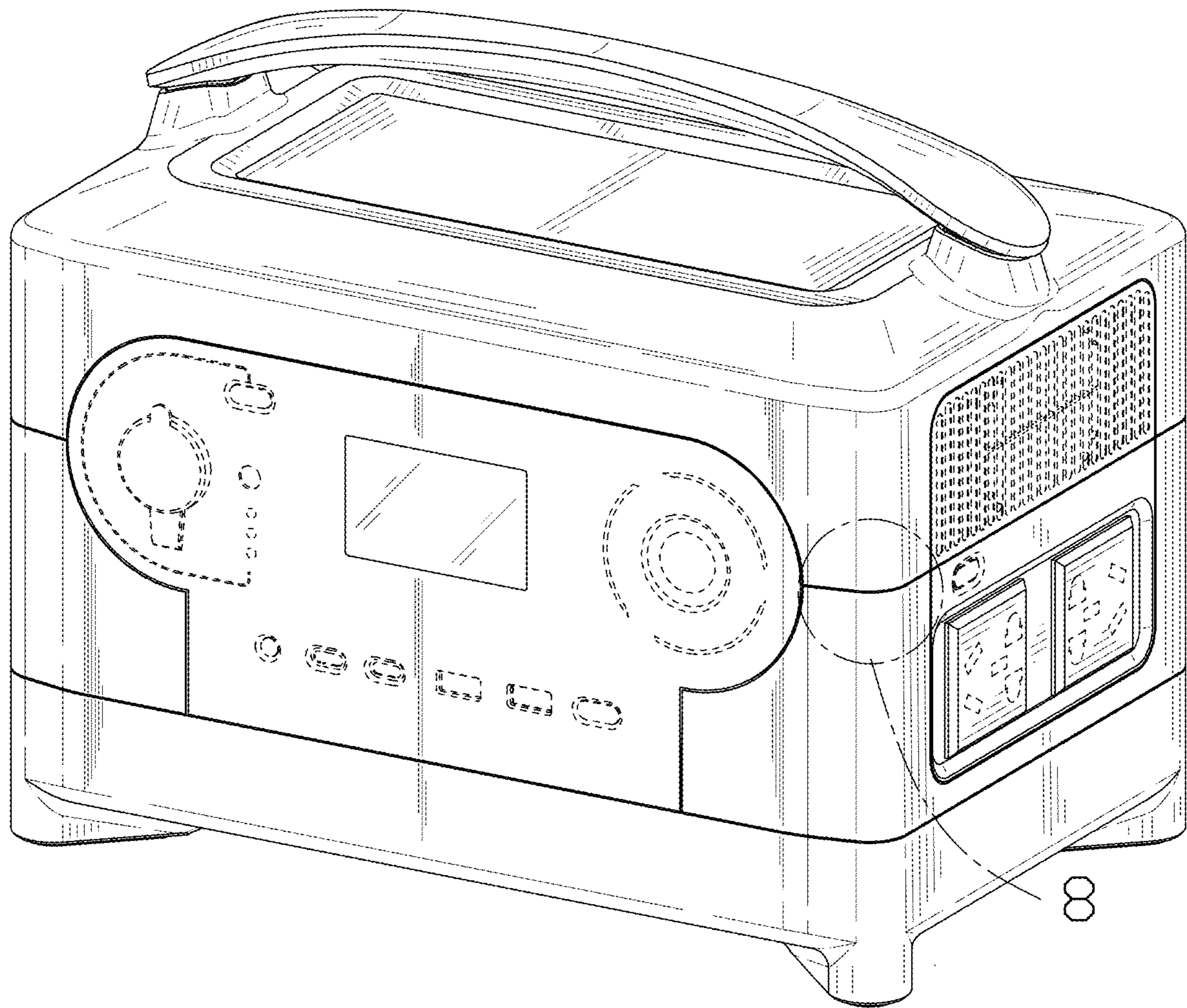


FIG. 1

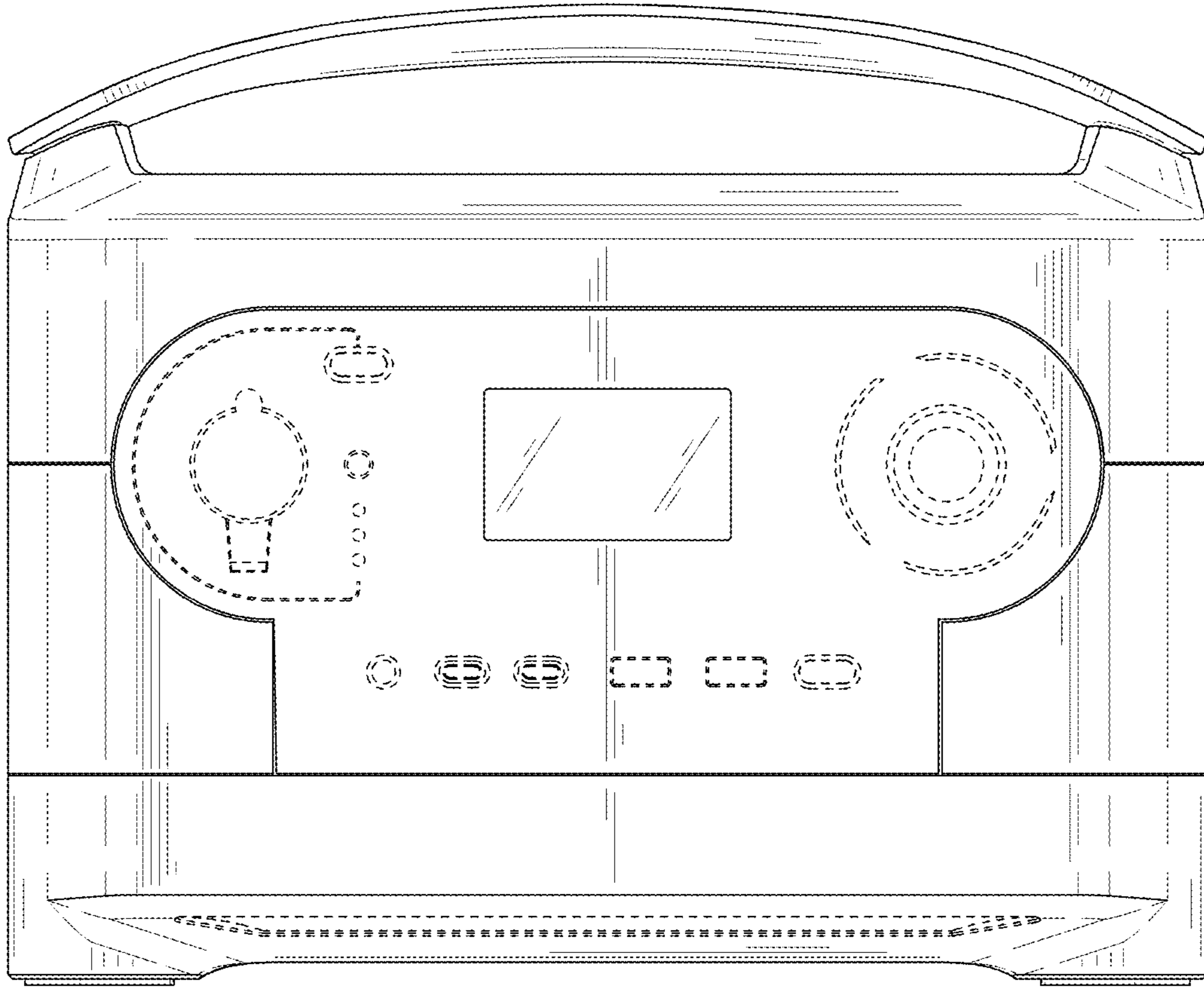


FIG. 2

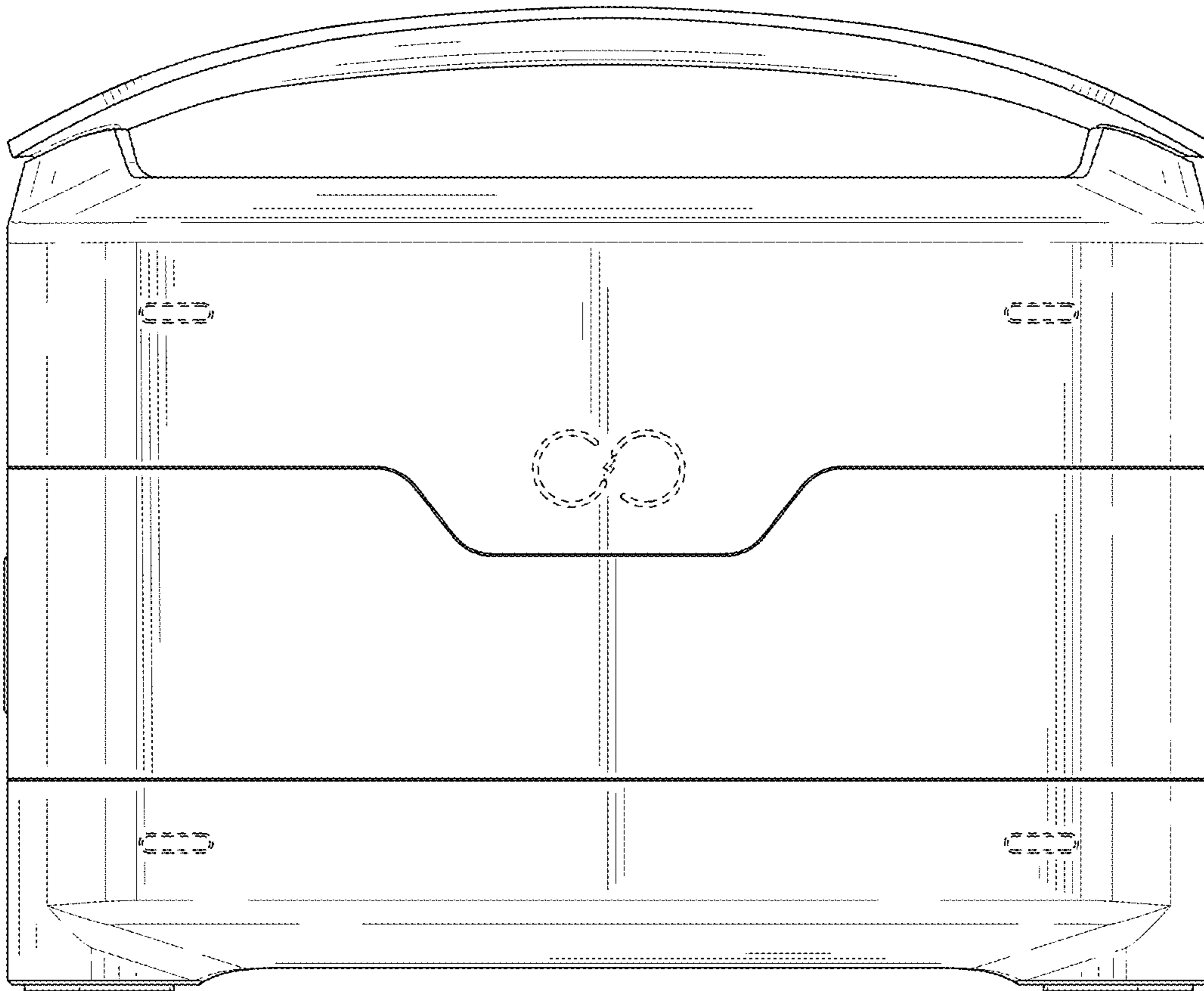


FIG. 3

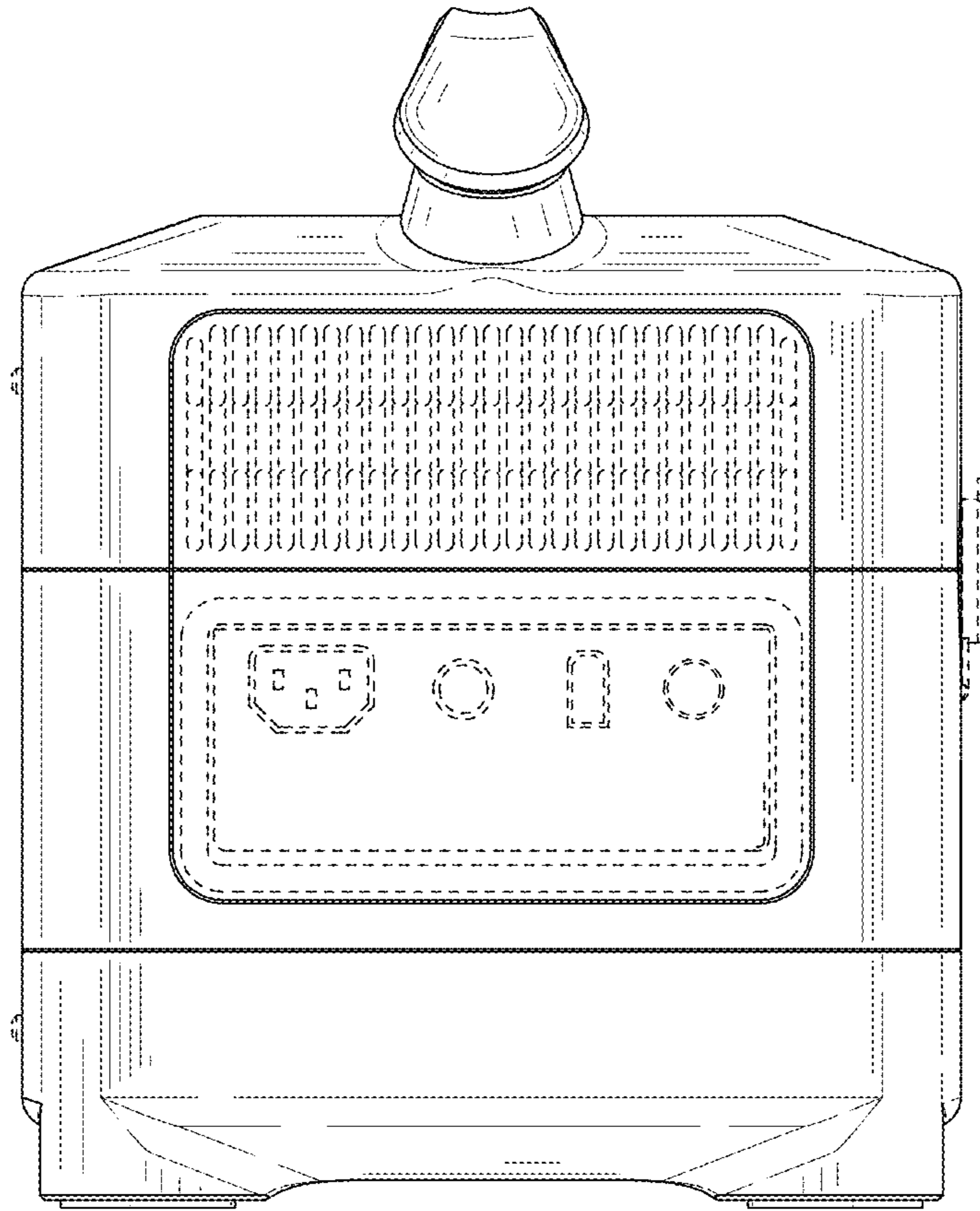


FIG. 4

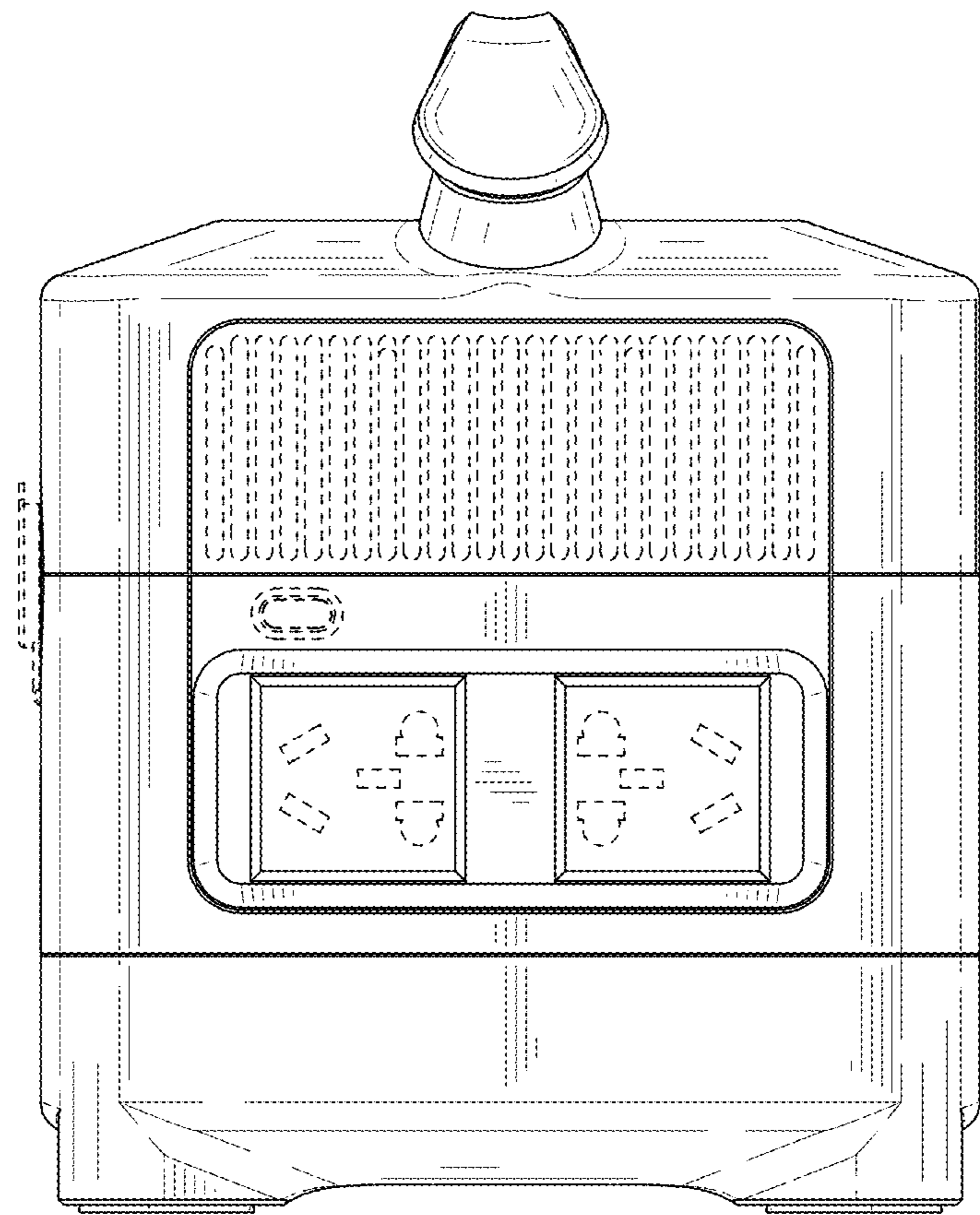


FIG. 5

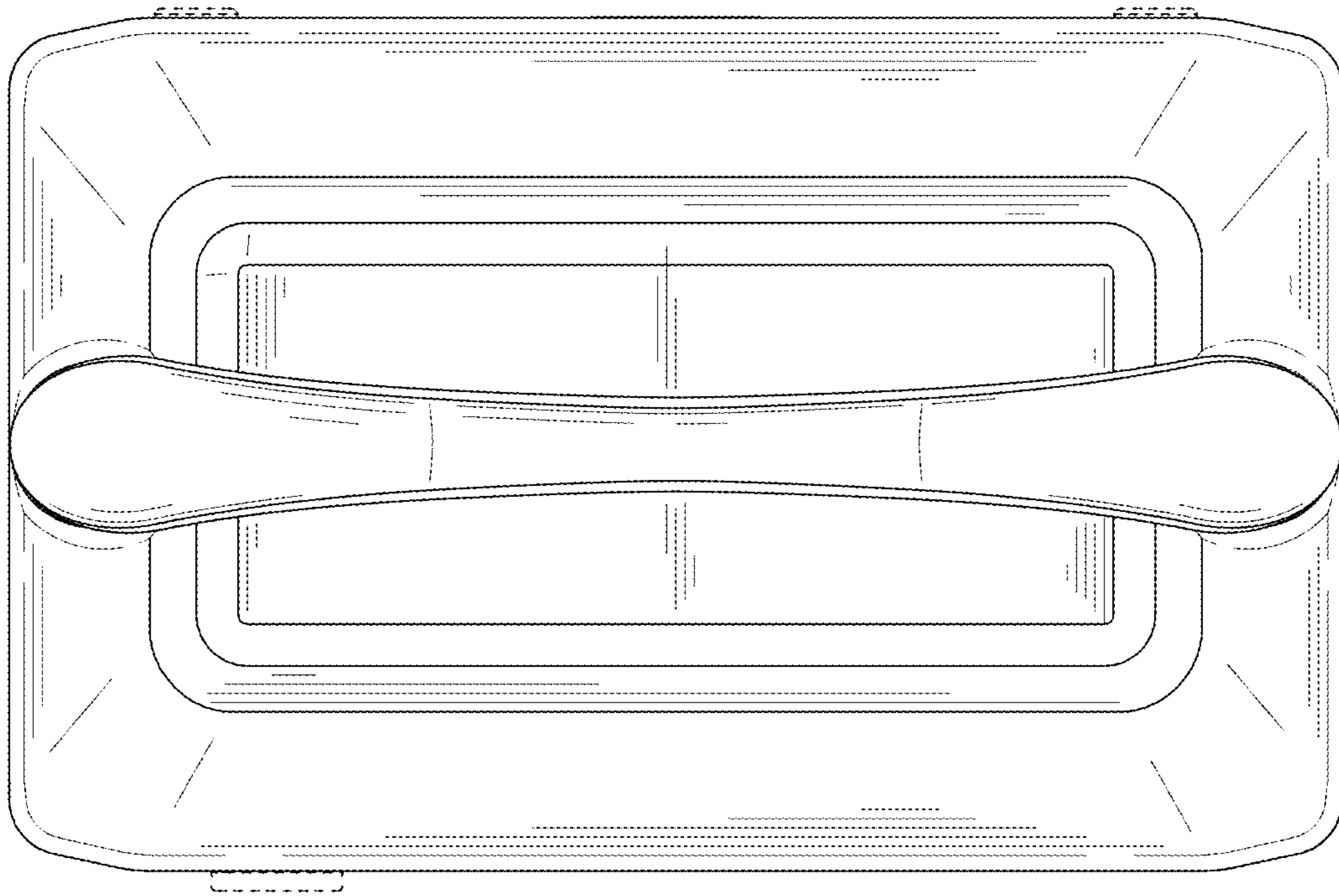


FIG. 6

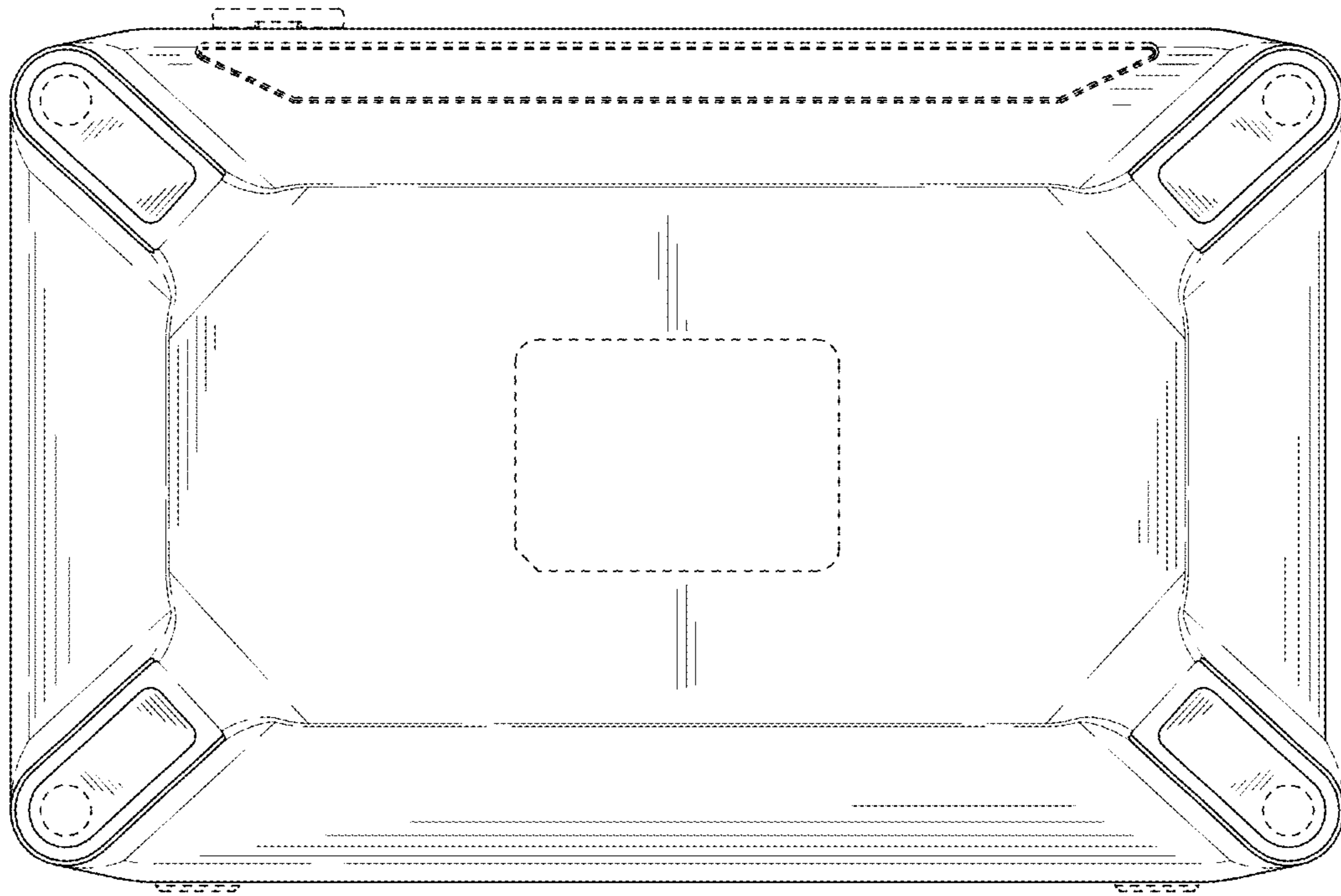


FIG. 7

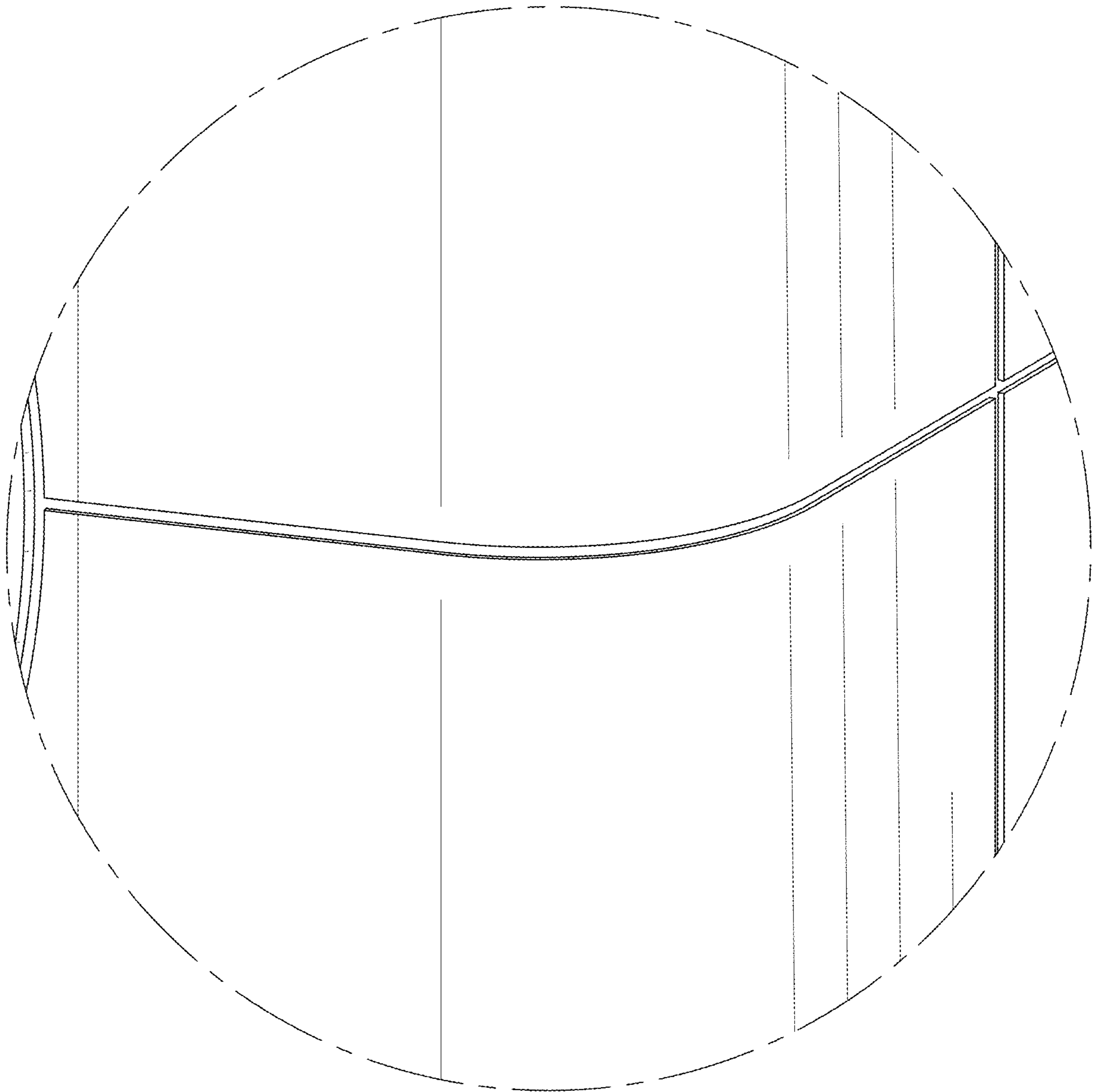


FIG.8