



US00D972505S

(12) **United States Design Patent** (10) **Patent No.:** **US D972,505 S**  
**Liu** (45) **Date of Patent:** **\*\* Dec. 13, 2022**

(54) **CHARGER BOX**  
(71) Applicant: **Lequn Liu**, Shenzhen (CN)  
(72) Inventor: **Lequn Liu**, Shenzhen (CN)  
(\*\*) Term: **15 Years**  
(21) Appl. No.: **29/842,827**

(22) Filed: **Jun. 16, 2022**  
(51) **LOC (13) Cl.** ..... **13-02**  
(52) **U.S. Cl.**  
USPC ..... **D13/108**; D3/302  
(58) **Field of Classification Search**  
USPC ..... D13/107–108, 110, 118–119, 184, 199;  
D14/251, 253, 432, 434, 447; D3/201,  
D3/205, 208, 218, 273, 274, 294, 302  
CPC .. H02J 7/025; H02J 7/005; H02J 50/00; H02J  
50/10; H02J 50/12; H02J 50/80; H02J  
7/02; H02J 7/0026; H02J 7/0042; H02J  
7/0044; H02J 7/0045; H02J 7/0013; H02J  
7/0003; A45C 2011/001; A45C 2011/002;  
A45C 2011/003  
See application file for complete search history.

(56) **References Cited**

**U.S. PATENT DOCUMENTS**

D826,152 S *	8/2018	Christiansen .....	D13/108
D841,581 S *	2/2019	Bonahoom .....	D13/108
D881,810 S *	4/2020	Zhang .....	D13/108
D888,664 S *	6/2020	Ma .....	D13/108
D891,771 S *	8/2020	Lee .....	D3/215
D901,377 S *	11/2020	Zhou .....	D13/108
D902,588 S *	11/2020	Zhang .....	D3/294
D911,944 S *	3/2021	Gao .....	D14/223
D912,622 S *	3/2021	Zhou .....	D3/294
D912,623 S *	3/2021	Zhou .....	D3/294
D913,224 S *	3/2021	Kim .....	D13/108
D920,235 S *	5/2021	Liu .....	D3/294
D920,236 S *	5/2021	Xie .....	D3/294
D921,582 S *	6/2021	Liu .....	D3/294

D922,946 S *	6/2021	Chen .....	D3/294
D930,361 S *	9/2021	Jacobs .....	D3/294
D932,428 S *	10/2021	Reimann .....	D3/294
D933,601 S *	10/2021	Yoneyama .....	D13/108
D933,602 S *	10/2021	Zhang .....	D3/294
D936,040 S *	11/2021	Zhao .....	D14/223
D942,390 S *	2/2022	Zhang .....	D3/294
D949,868 S *	4/2022	Li .....	D14/440

(Continued)

**OTHER PUBLICATIONS**

“STnelun Hearing Aids Mini Rechargeable Digital Hearing Amplifier for Hearing Loss Seniors, Professional Inner Ear Hearing Assitant Tiny Magnetic Charging Case Sound Amplifier ( 1 Pair )”, Amazon.com, first available on Aug. 30, 2021. Retrieved from the internet: <<https://www.amazon.com/STnelun-Rechargeable-Amplifier-Professional-Amplifier%EF%BC%881/dp/B09DYTJZQB/>> (Year: 2021).\*

(Continued)

*Primary Examiner* — Rosemary K Tarcza

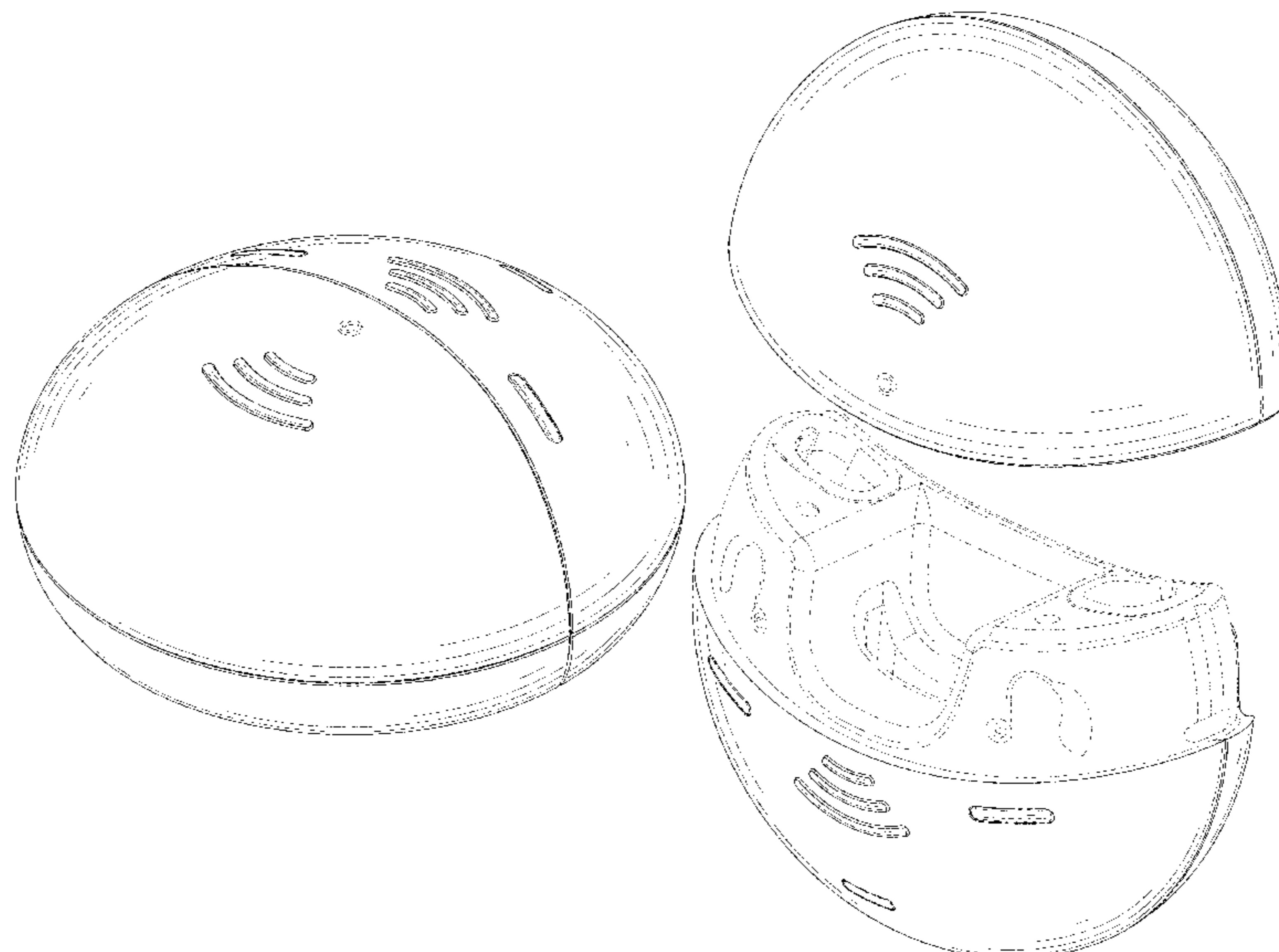
(57) **CLAIM**

The ornamental design for a charger box, as shown and described.

**DESCRIPTION**

FIG. 1 is a front and top perspective view of a charger box, showing my new design;  
FIG. 2 is a rear and bottom perspective view thereof;  
FIG. 3 is a front elevation view thereof;  
FIG. 4 is a rear elevation view thereof;  
FIG. 5 is a left side elevation view thereof;  
FIG. 6 is a right side elevation view thereof;  
FIG. 7 is a top plan view thereof;  
FIG. 8 is a bottom plan view thereof; and,  
FIG. 9 is an exploded view thereof.  
The broken lines in the figures illustrate portions of the charger box that form no part of the claimed design.

**1 Claim, 9 Drawing Sheets**



(56)

**References Cited**

## U.S. PATENT DOCUMENTS

D953,265 S \* 5/2022 Birger ..... D14/223  
D953,303 S \* 5/2022 Chen ..... D14/223  
D953,982 S \* 6/2022 Yi ..... D13/108  
D955,986 S \* 6/2022 Klein ..... D13/108  
D956,418 S \* 7/2022 Birger ..... D3/274

## OTHER PUBLICATIONS

“Autiphon Advanced Digital Rechargeable Hearing Aids for Seniors Adults with Noise Cancelling, Mini CIC Hearing Devices with Charging Case for Back-up Power, Beige, Pair, Digit03”, Amazon.com, first available on Nov. 4, 2021. Retrieved from the internet: <<https://www.amazon.com/Autiphon-Advanced-Digital-Rechargeable-Cancelling/dp/B09KZYWSST/>> (Year: 2021).\*

Lequn Liu and Charger box [https://www.amazon.com/Rechargeable-Cancelling-SituationsUltra-long-Seniorsfriendly/dp/B09XRCVYN7/ref=sr\\_1\\_5?crid=16G31ZLA8B59F&keywords=digital+hearing+aids+bruno&qid=1653905682&srefix=digital+hearing+aids+bruno%2Caps%2C301&sr=8-5](https://www.amazon.com/Rechargeable-Cancelling-SituationsUltra-long-Seniorsfriendly/dp/B09XRCVYN7/ref=sr_1_5?crid=16G31ZLA8B59F&keywords=digital+hearing+aids+bruno&qid=1653905682&srefix=digital+hearing+aids+bruno%2Caps%2C301&sr=8-5).

[https://www.amazon.com/Rechargeable-Cancelling-SituationsUltra-long-Seniorsfriendly/dp/B09XRCVYN7/ref=sr\\_1\\_5?crid=16G31ZLA8B59F&keywords=digital+hearing+aids+bruno&qid=1653905682&srefix=digital+hearing+aids+bruno%2Caps%2C301&sr=8-5](https://www.amazon.com/Rechargeable-Cancelling-SituationsUltra-long-Seniorsfriendly/dp/B09XRCVYN7/ref=sr_1_5?crid=16G31ZLA8B59F&keywords=digital+hearing+aids+bruno&qid=1653905682&srefix=digital+hearing+aids+bruno%2Caps%2C301&sr=8-5).

\* cited by examiner

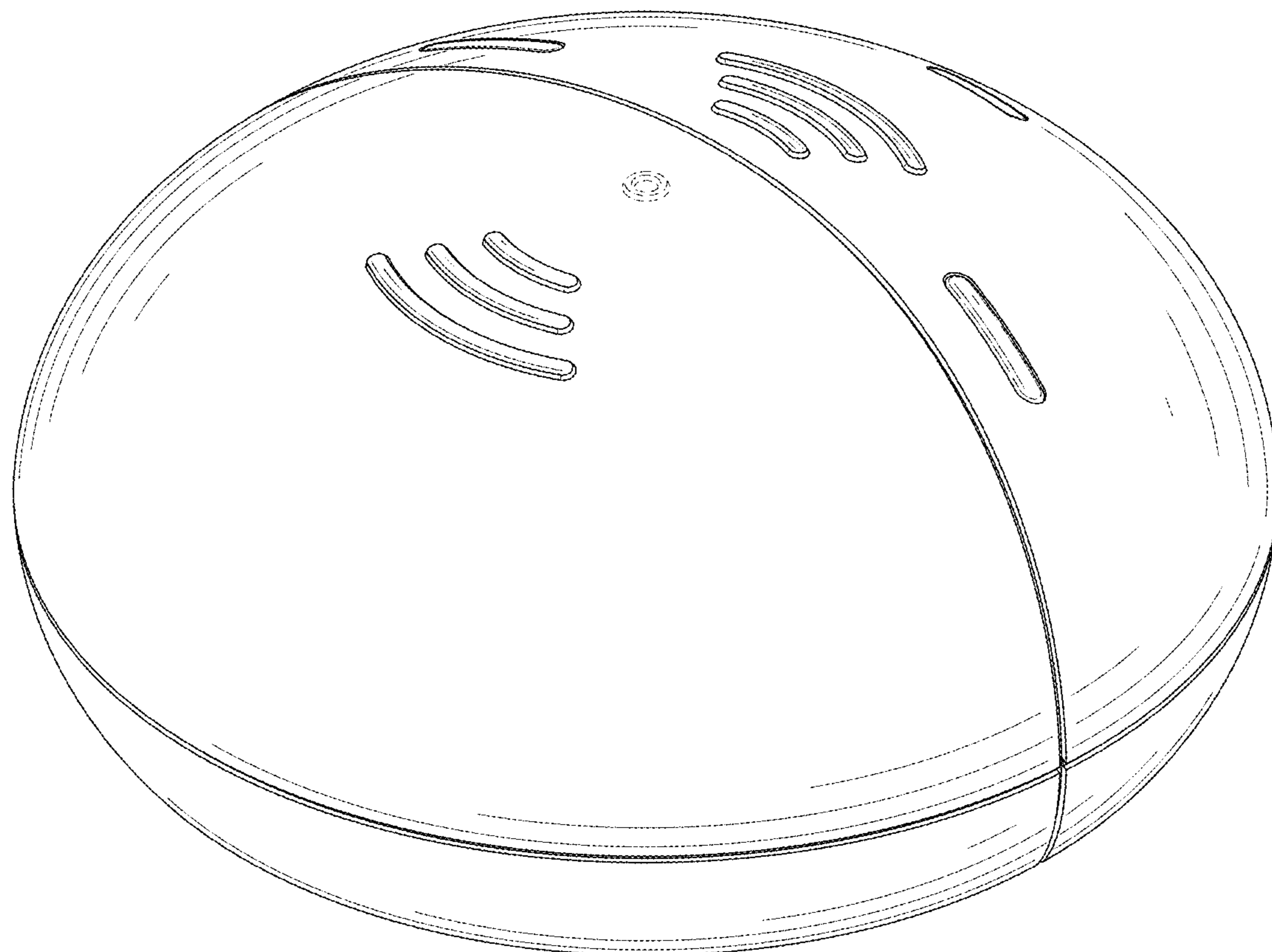


FIG. 1

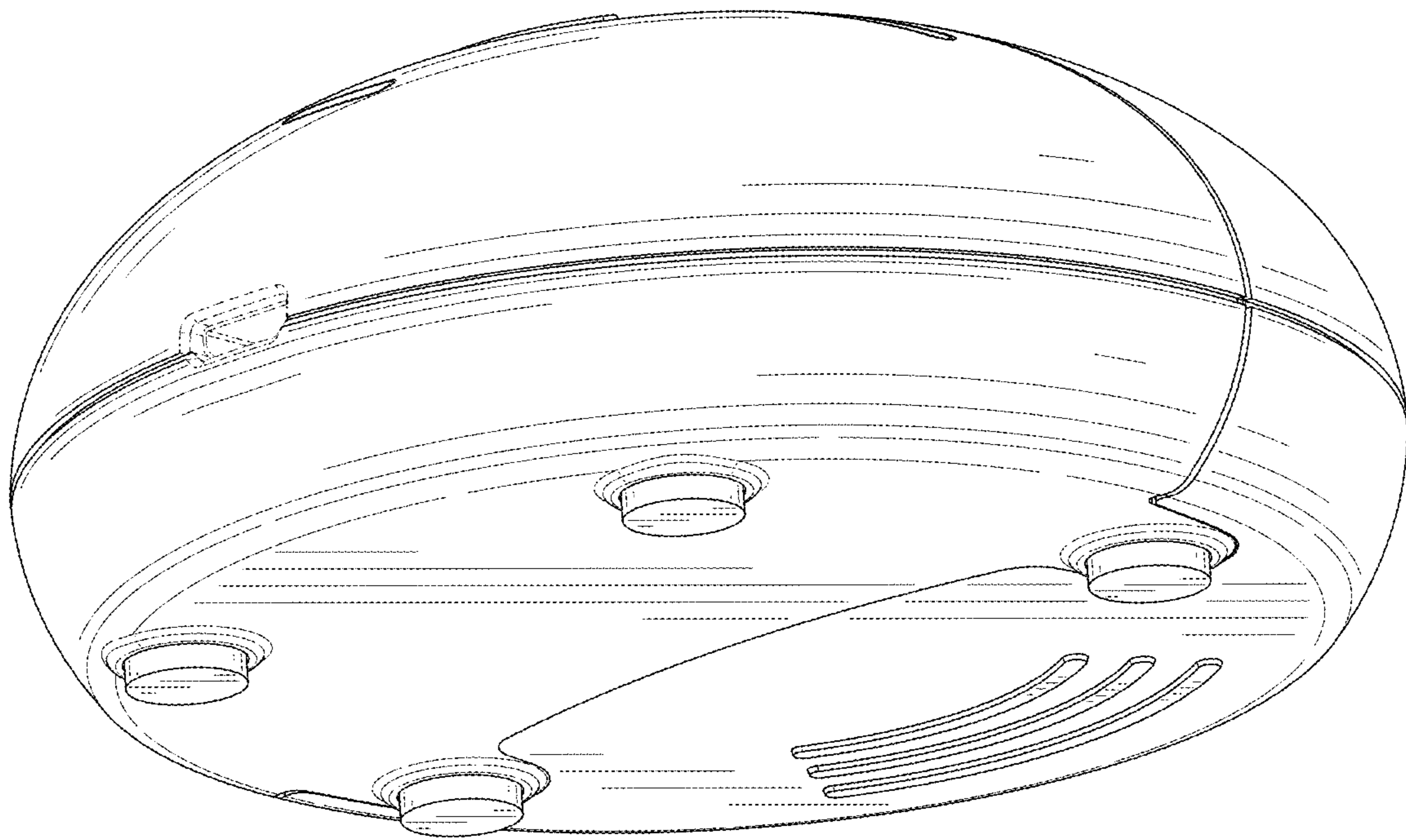


FIG. 2

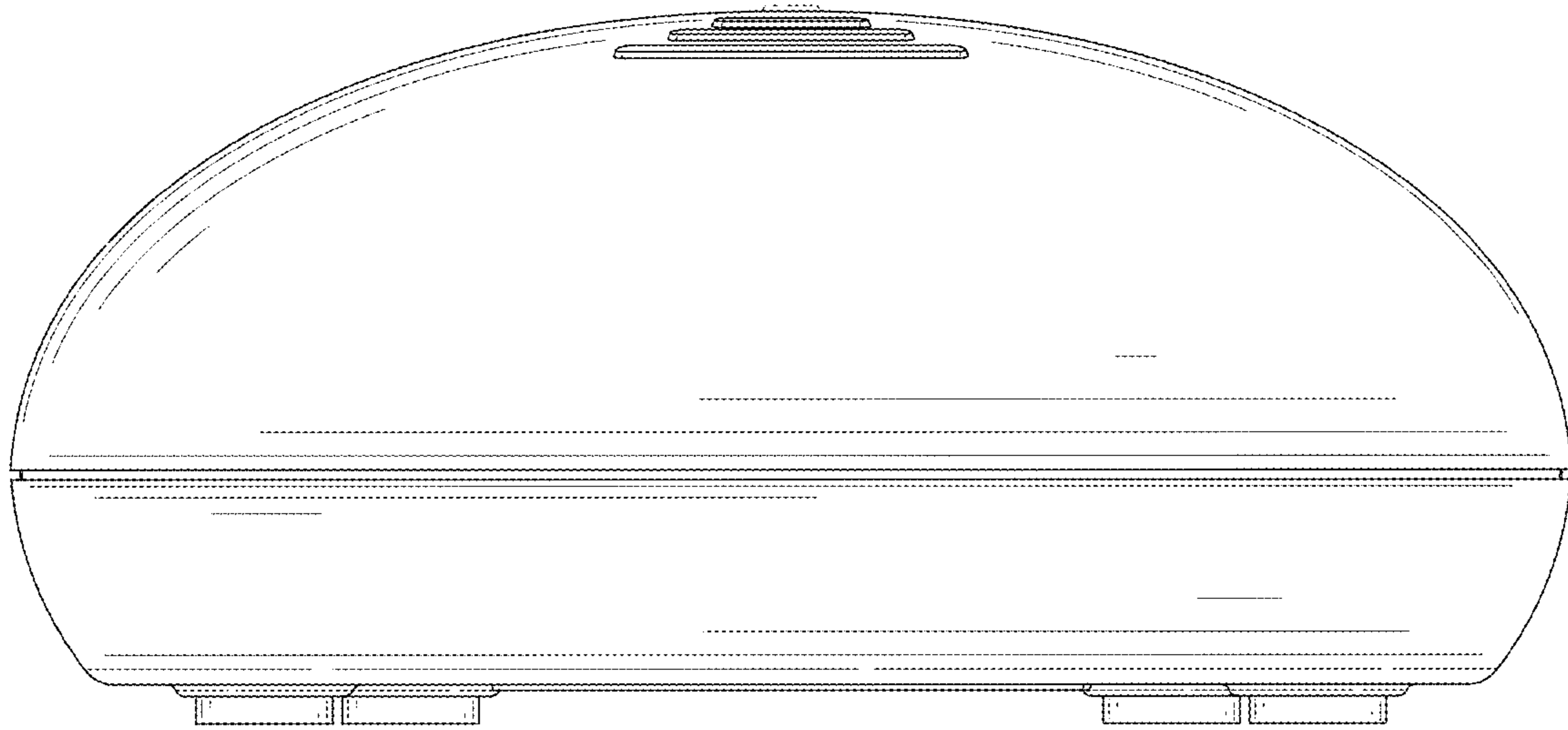


FIG. 3

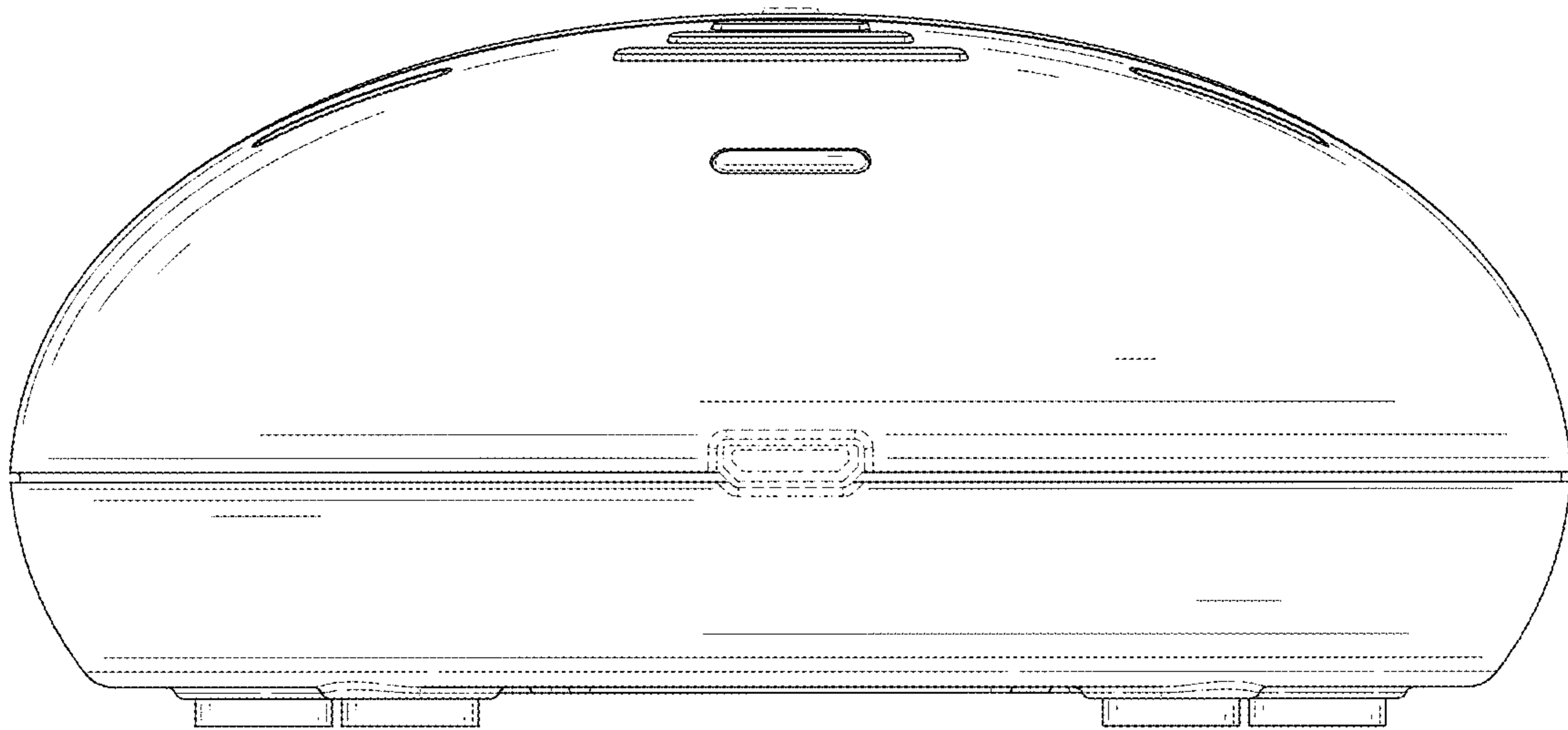


FIG. 4

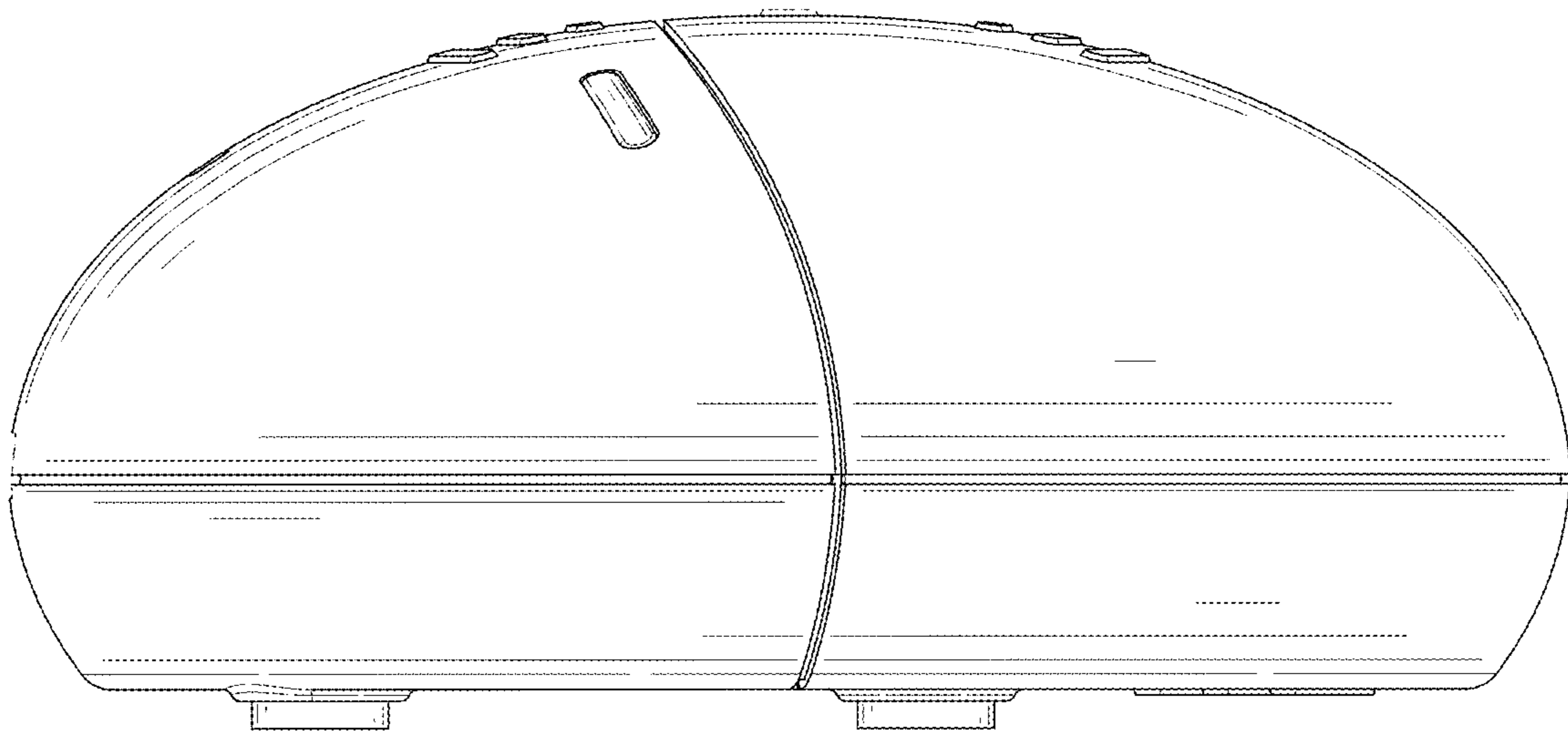


FIG. 5

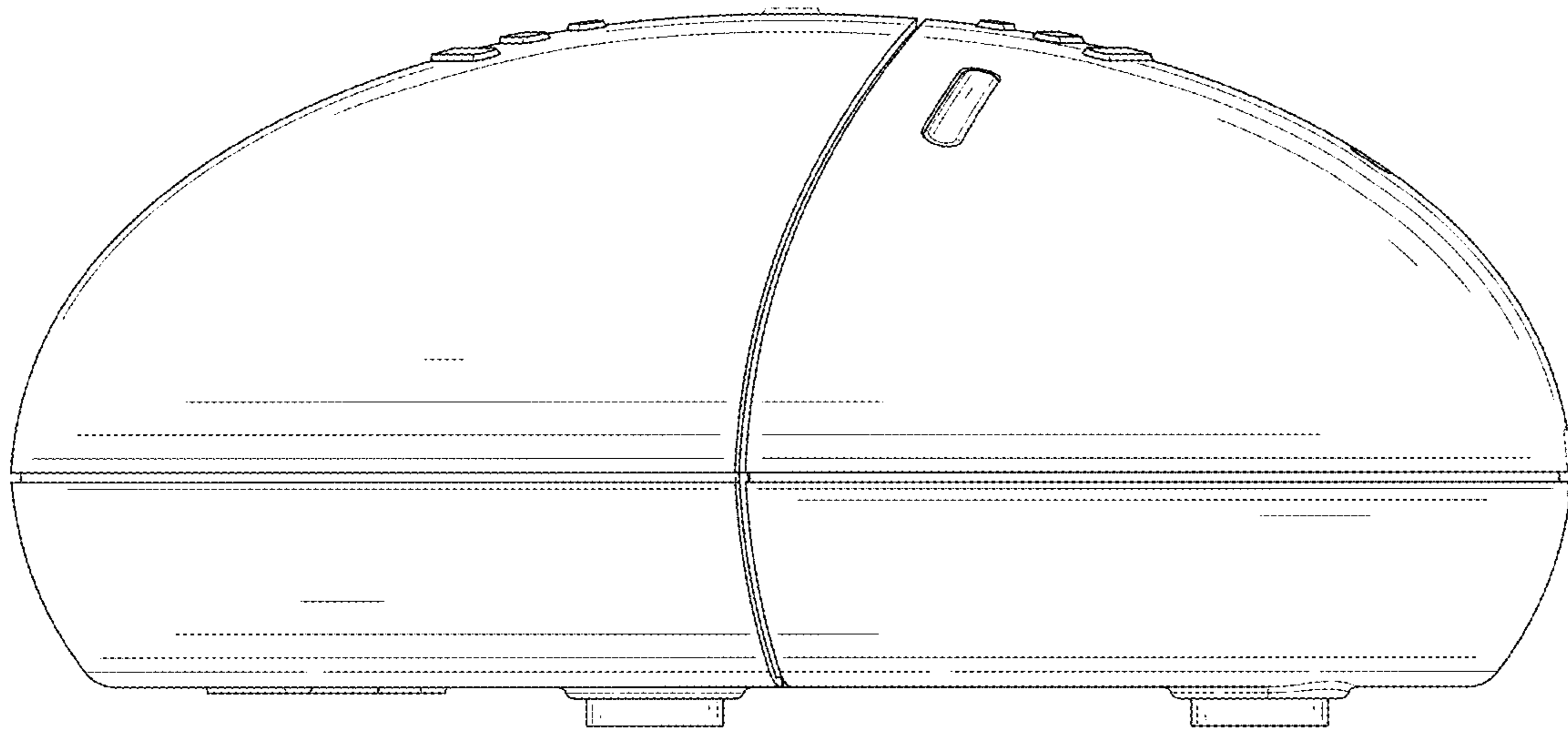


FIG. 6



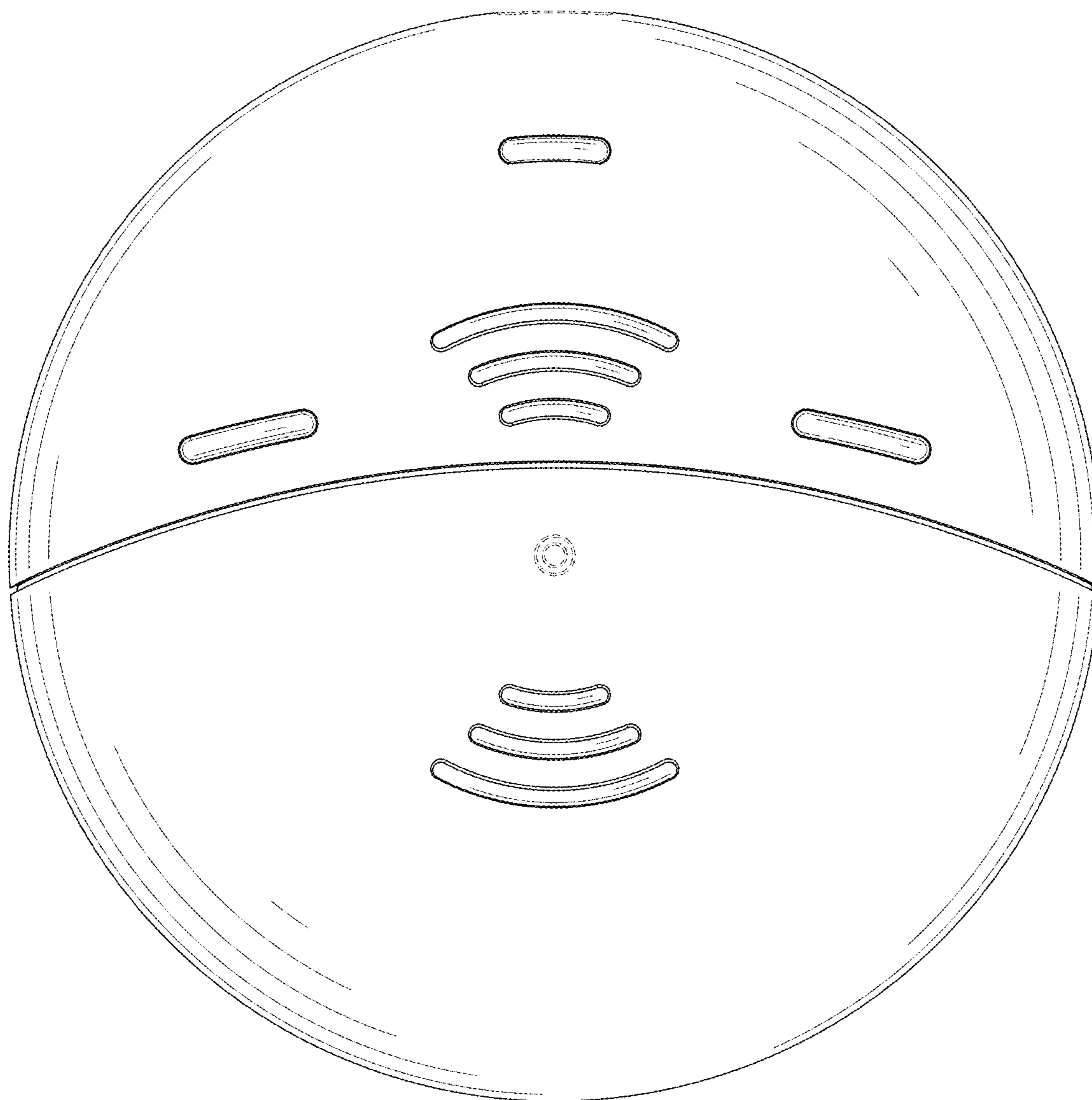


FIG. 7

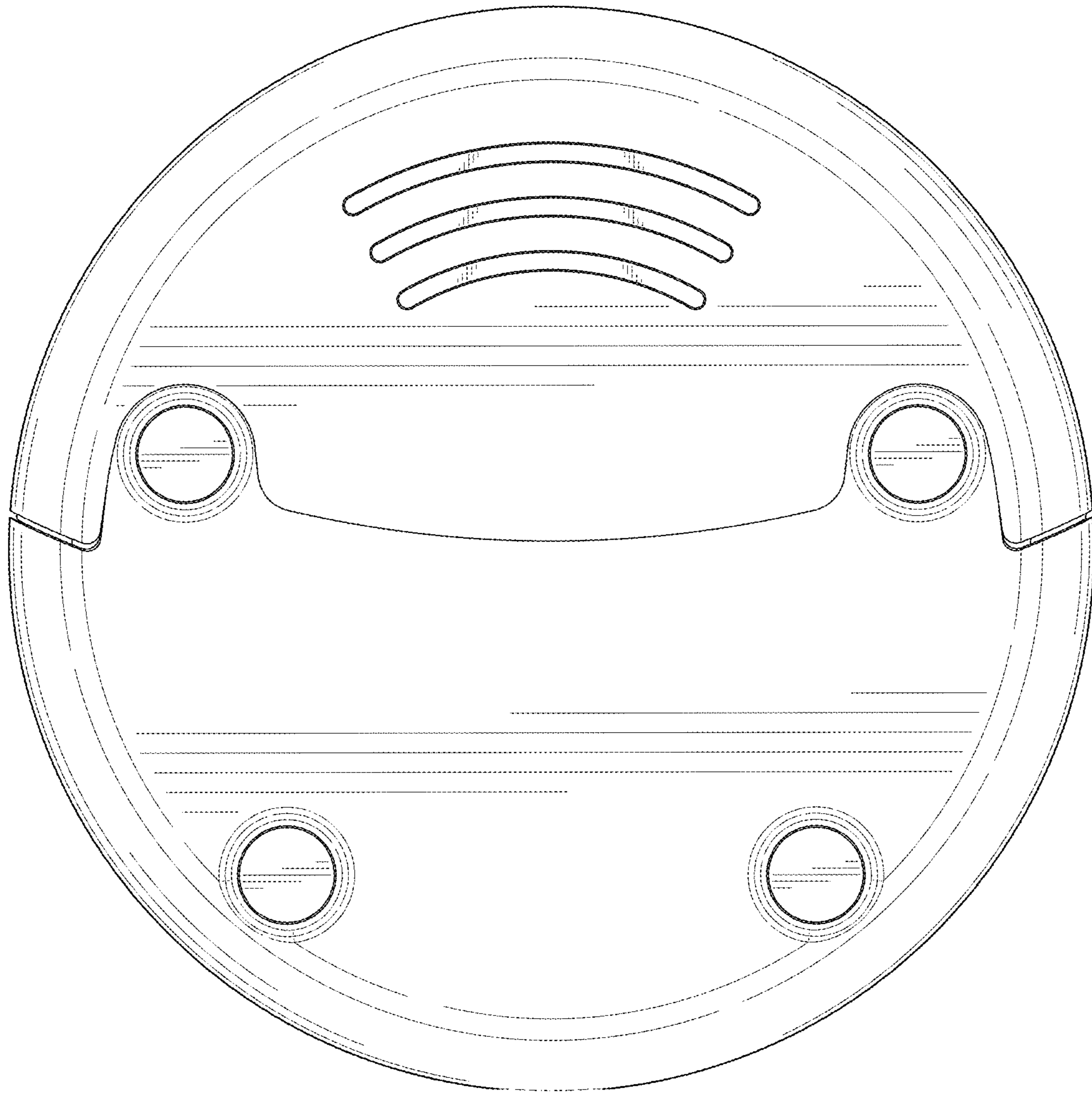


FIG. 8

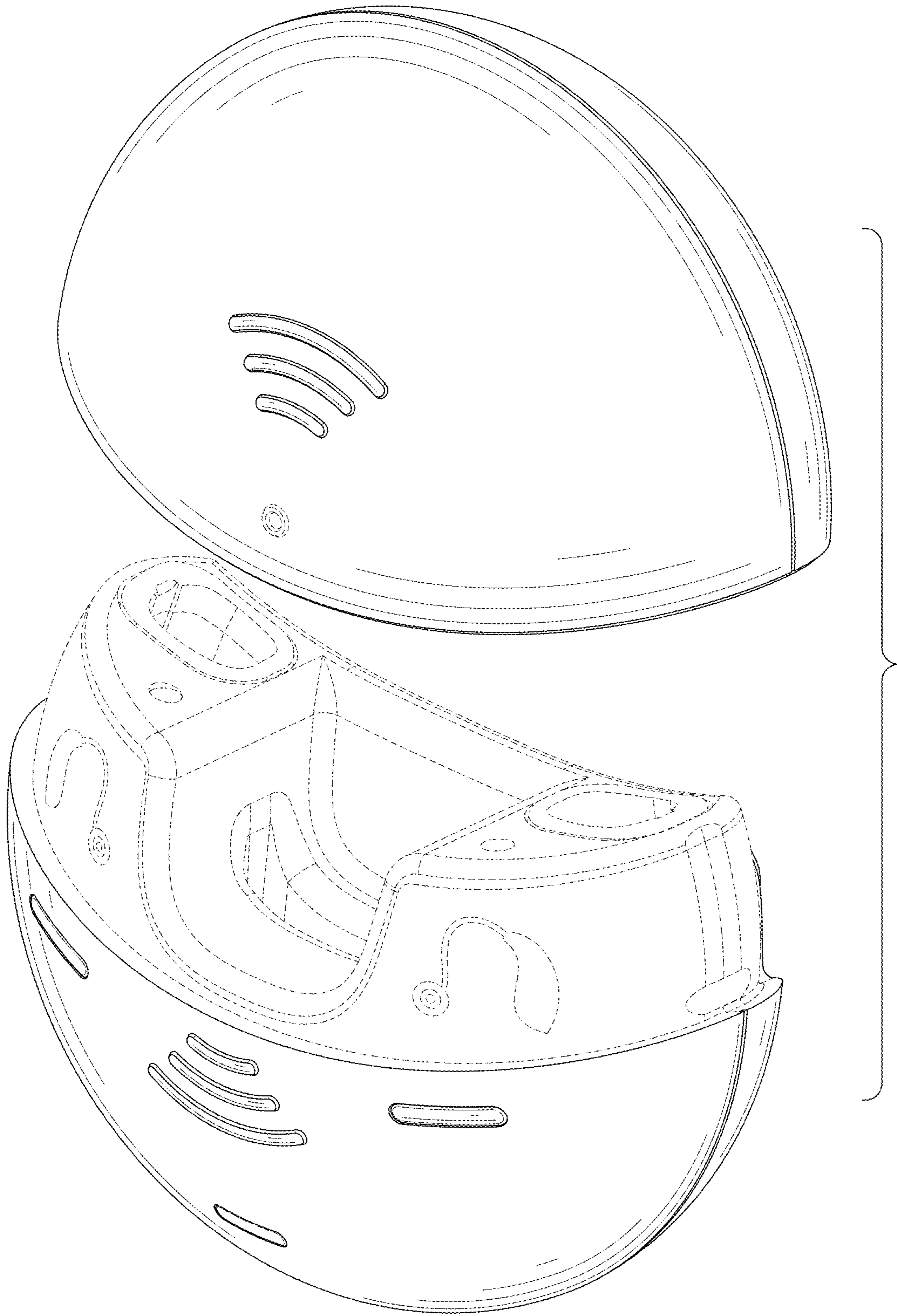


FIG. 9