

US00D972504S

(12) **United States Design Patent** (10) **Patent No.:** **US D972,504 S**
He et al. (45) **Date of Patent:** **** Dec. 13, 2022**

(54) **BATTERY**

(56) **References Cited**

(71) Applicant: **Shenzhen Del Contemporary Technology Ltd., Shenzhen (CN)**

U.S. PATENT DOCUMENTS

(72) Inventors: **Wei He, Shenzhen (CN); Ruiwen Kuang, Shenzhen (CN); Rongzhen Huang, Shenzhen (CN)**

D330,187	S	*	10/1992	Shimoo	D13/107
D334,560	S	*	4/1993	Wilson	D13/110
D820,201	S	*	6/2018	Delgatty	D13/103
D835,575	S	*	12/2018	Wen	D13/107
D884,611	S	*	5/2020	Baxter	D13/103
D911,957	S	*	3/2021	Sun	D13/103
D916,658	S	*	4/2021	Jiang	D13/110
D929,326	S	*	8/2021	Wang	D13/110
D942,391	S	*	2/2022	Yin	D13/110
D952,556	S	*	5/2022	Liu	D13/107
D955,978	S	*	6/2022	Wu	D13/103
D961,512	S	*	8/2022	Chen	D13/110
2016/0153626	A1	*	6/2016	Ozaka	F21L 4/08 362/183

(73) Assignee: **Shenzhen Del Contemporary Technology Ltd., Shenzhen (CN)**

(**) Term: **15 Years**

(21) Appl. No.: **29/787,965**

(22) Filed: **Jun. 9, 2021**

(30) **Foreign Application Priority Data**

Jan. 27, 2021 (CN) 202130057516.0

(51) **LOC (13) Cl.** **13-02**

(52) **U.S. Cl.**
USPC **D13/108; D13/103**

(58) **Field of Classification Search**
USPC D13/102-106, 110, 118-119, 184, 199;
D14/356, 342
CPC . Y02E 60/10; H01M 2220/30; H01M 50/209;
H01M 50/213; H01M 50/183; H01M
50/10; H01M 50/529; H01M 50/531;
H01M 10/0525; H01M 10/0436; H01M
10/052; H01M 10/0565; H01M 10/30;
H01M 10/345; H01M 10/425; H01M
2010/0495; B25F 5/02; B25F 5/00; A61B
2017/00734

See application file for complete search history.

* cited by examiner

Primary Examiner — Nathaniel D. Buckner

(74) *Attorney, Agent, or Firm* — Hawaii Patent Services;
Nathaniel K. Fedde; Kenton N. Fedde

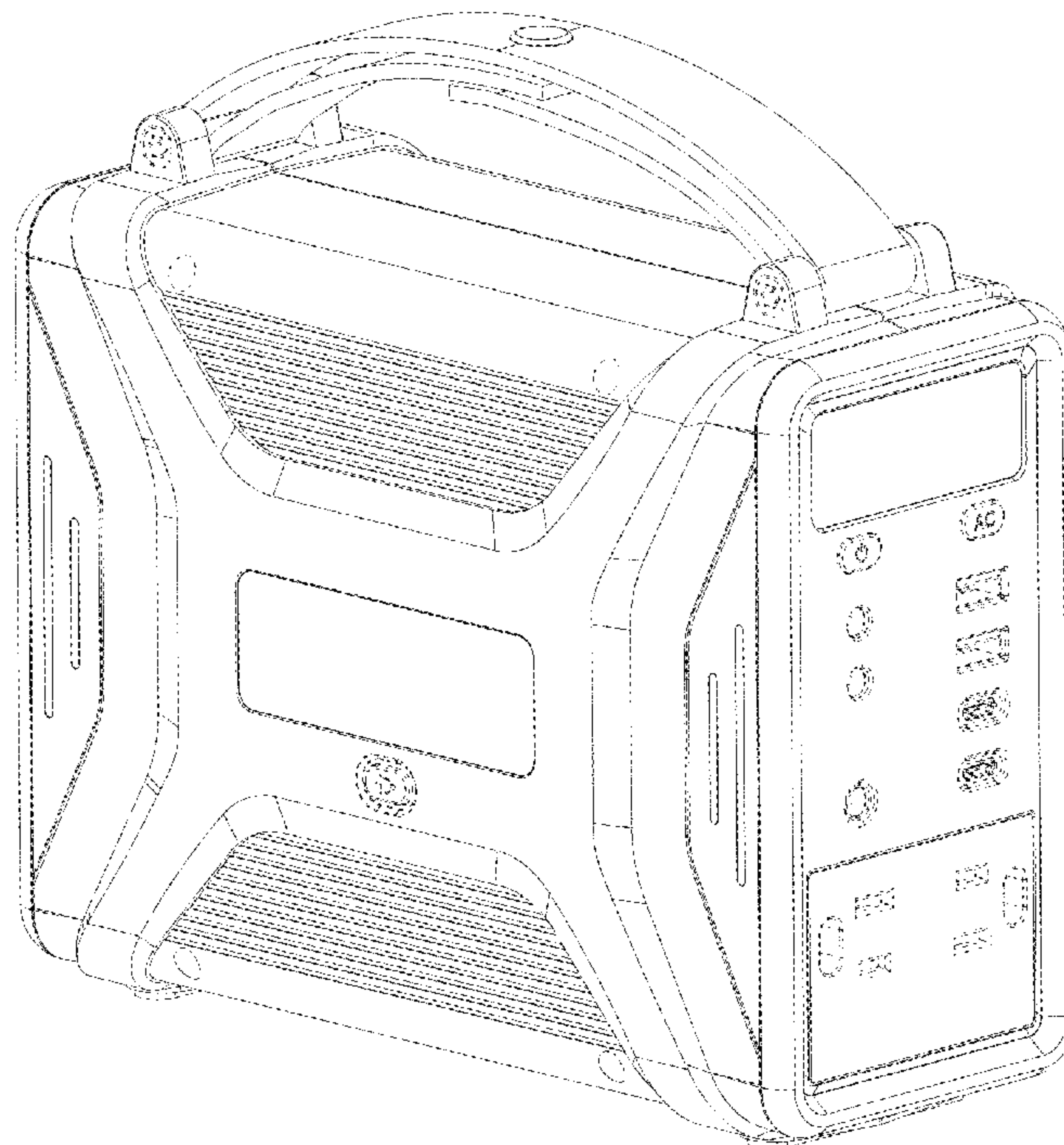
(57) **CLAIM**

The ornamental design for a battery, as shown and described.

DESCRIPTION

FIG. 1 is a perspective view of a battery;
FIG. 2 is another perspective view thereof;
FIG. 3 is a front elevational view thereof;
FIG. 4 is a rear elevational view thereof;
FIG. 5 is a left side elevational view thereof;
FIG. 6 is a right side elevational view thereof;
FIG. 7 is a top plan view thereof; and,
FIG. 8 is a bottom plan view showing the battery.

1 Claim, 8 Drawing Sheets



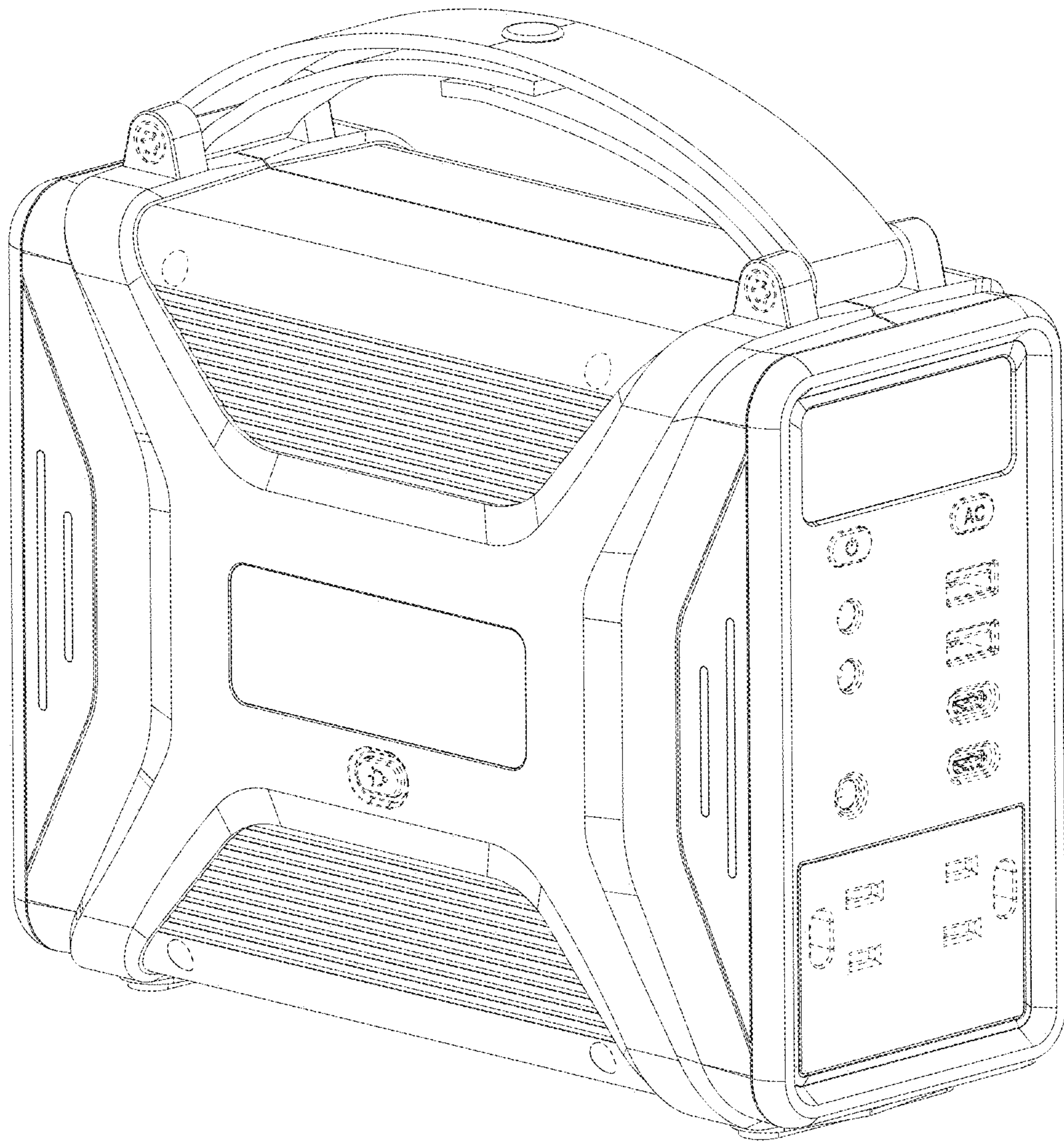


FIG.1

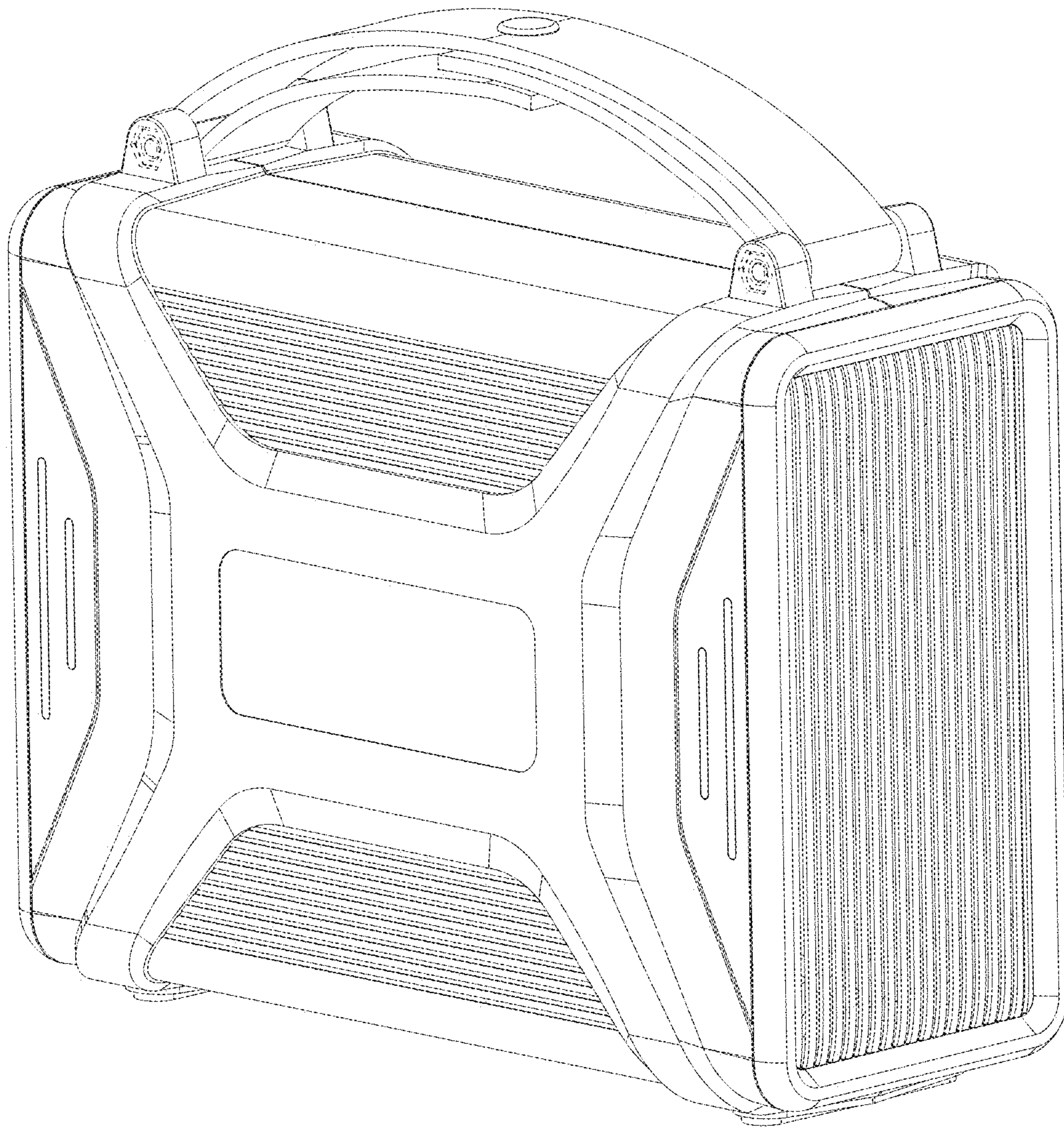


FIG.2

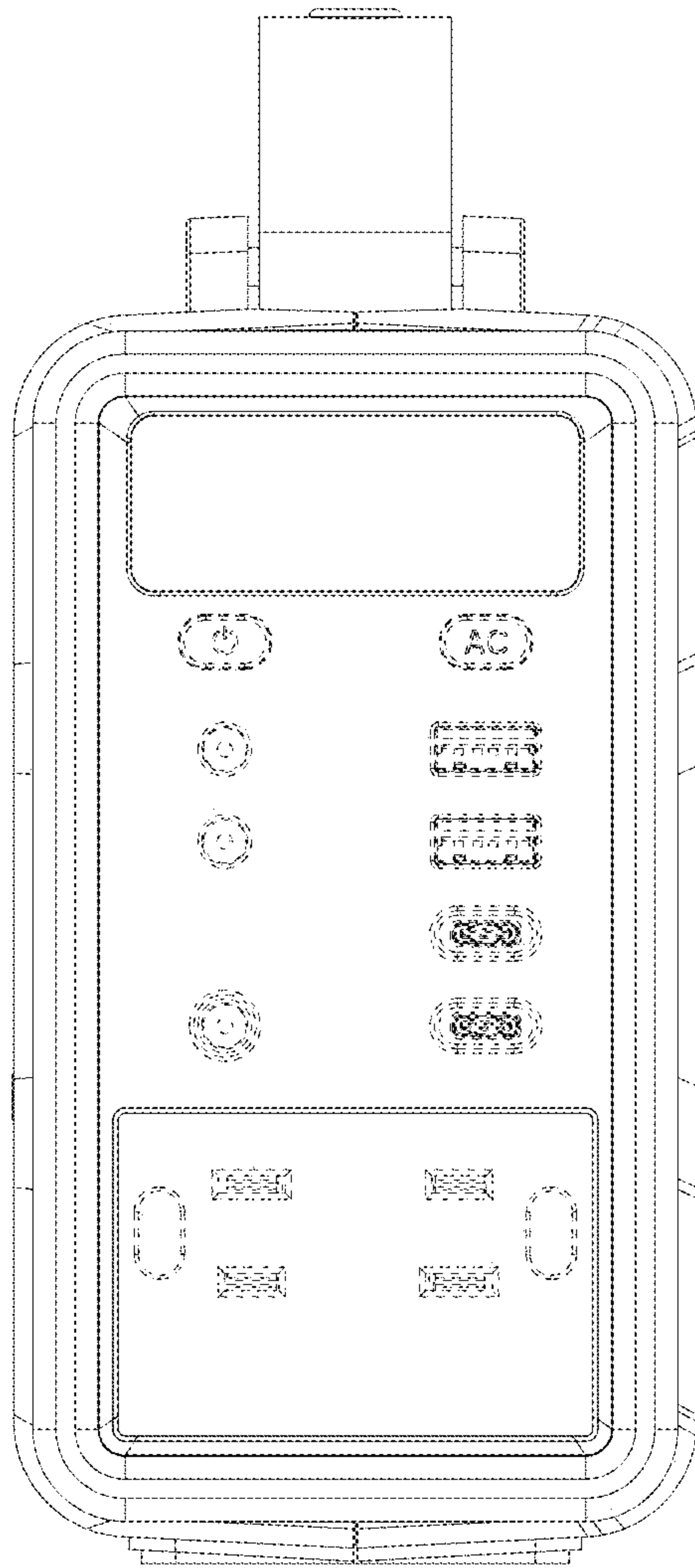


FIG.3

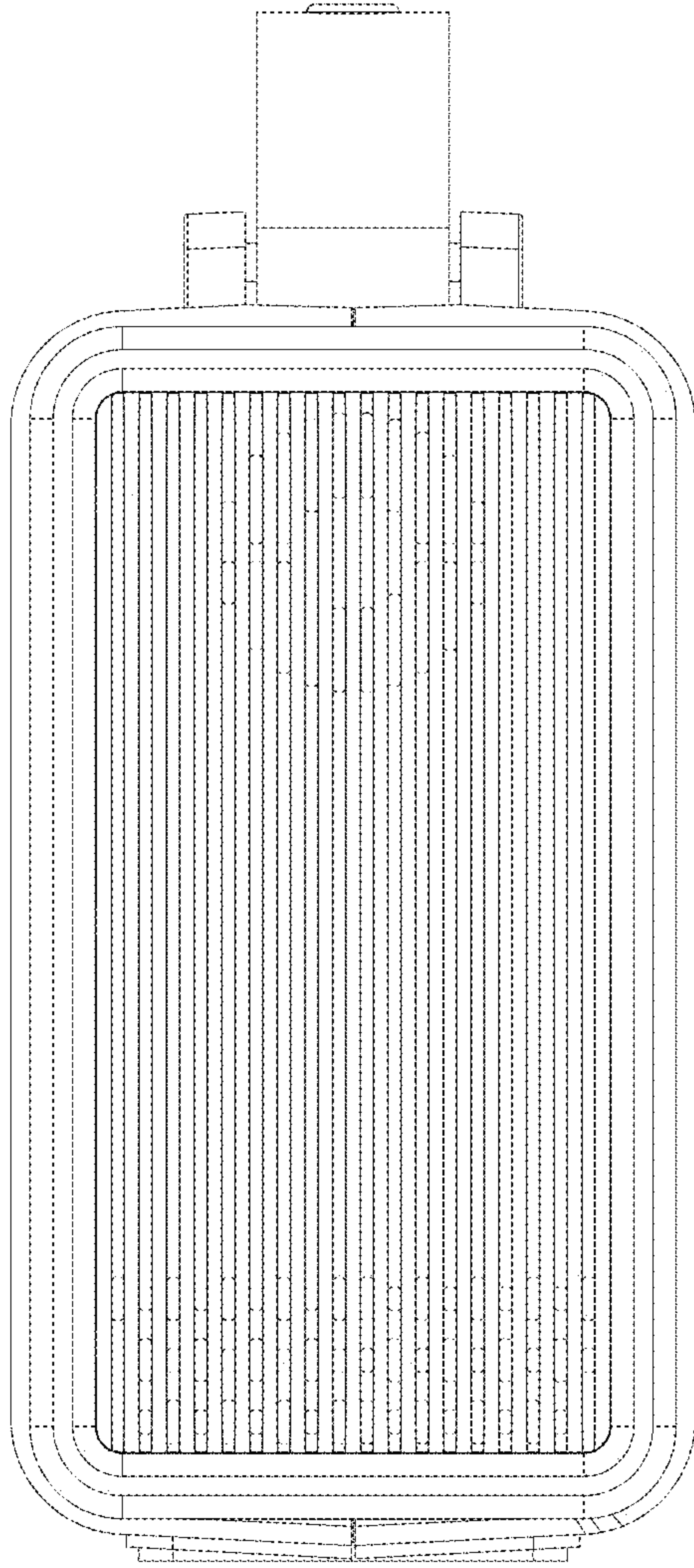


FIG.4

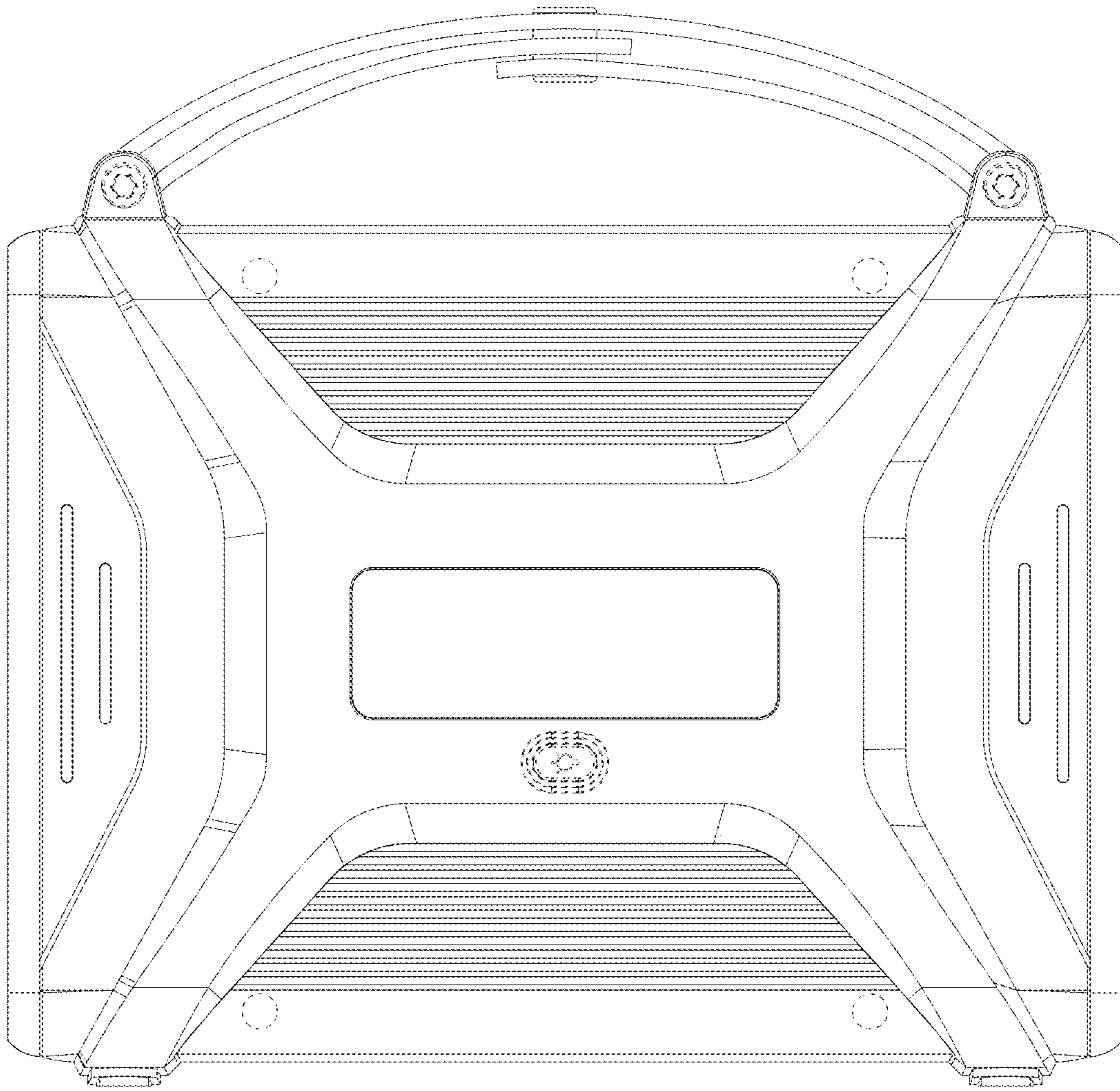


FIG.5

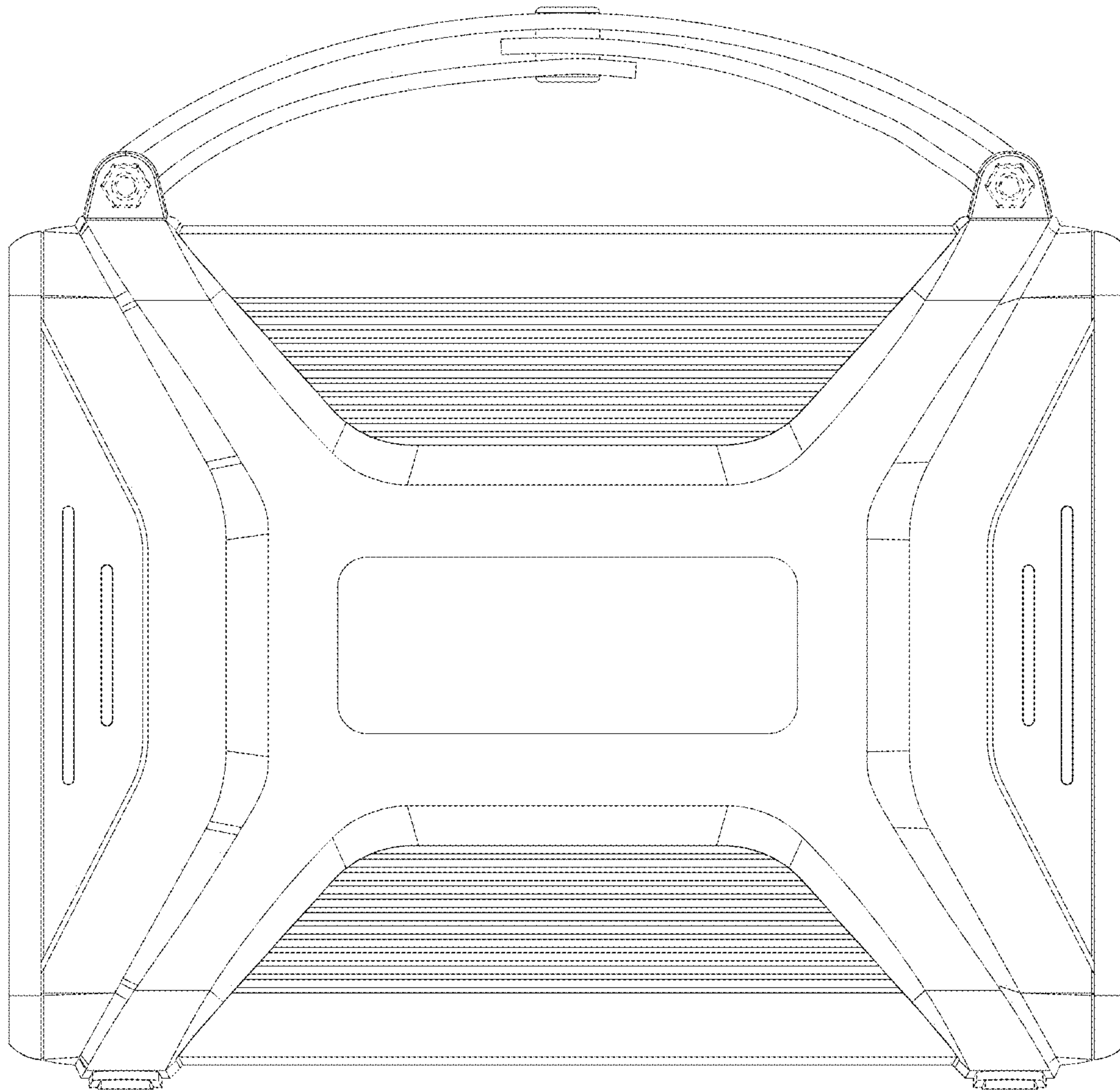


FIG.6

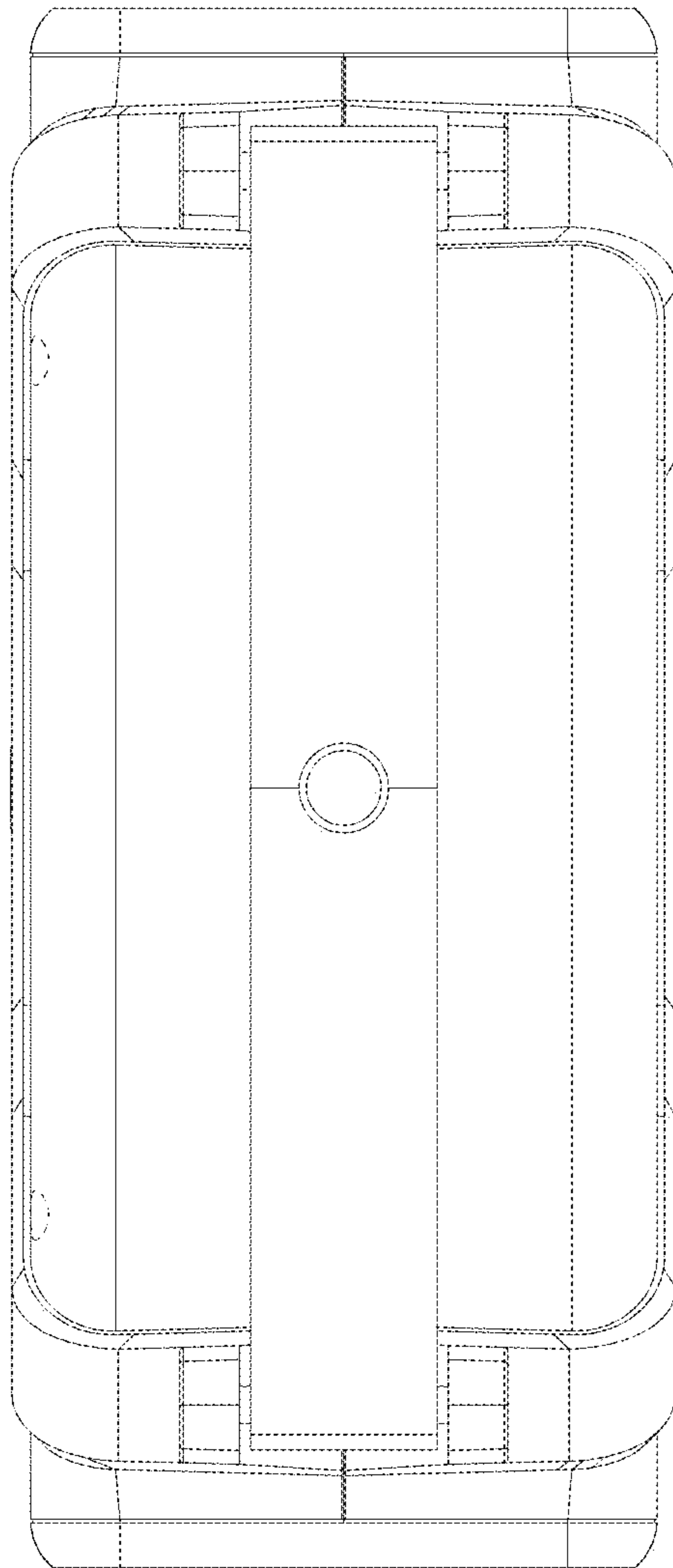


FIG.7

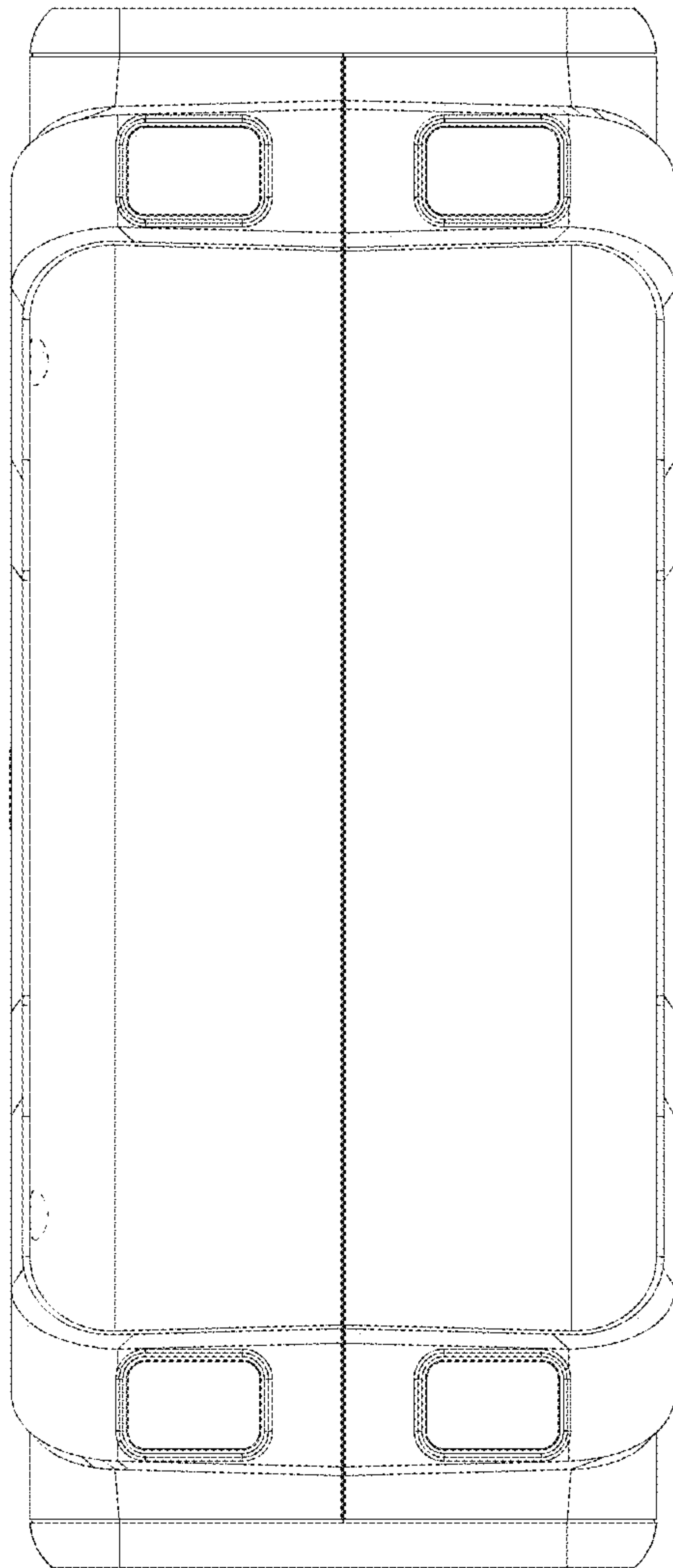


FIG.8