



US00D972500S

(12) **United States Design Patent**
Turksu et al.

(10) **Patent No.:** **US D972,500 S**

(45) **Date of Patent:** **** Dec. 13, 2022**

(54) **CHARGER FOR ELECTRONIC DEVICES**

D936,572 S * 11/2021 Turksu D13/108
D936,573 S * 11/2021 Turksu D13/108
D936,574 S * 11/2021 Turksu D13/108

(71) Applicant: **SARIANA, LLC**, San Diego, CA (US)

* cited by examiner

(72) Inventors: **Alan Turksu**, San Diego, CA (US);
Mustafa Burak Guclu, San Diego, CA (US)

Primary Examiner — Nathaniel D. Buckner

(74) *Attorney, Agent, or Firm* — Wagenknecht IP Law Group PC

(73) Assignee: **SARIANA LLC**, San Diego, CA (US)

(**) Term: **15 Years**

(57) **CLAIM**

The ornamental design for a charger for electronic devices, as shown and described.

(21) Appl. No.: **29/747,995**

DESCRIPTION

(22) Filed: **Aug. 26, 2020**

(51) **LOC (13) Cl.** **13-02**

(52) **U.S. Cl.**
USPC **D13/108**

(58) **Field of Classification Search**
USPC D13/107–110, 118–119, 184; D14/251, D14/253, 432, 434
CPC Y02T 90/14; H02J 7/025; H02J 7/0042; H02J 7/0044; H02J 7/0045; H02J 7/0003; H01F 38/14; H01R 13/6675; H01M 10/44; H01M 10/46; H01M 10/425
See application file for complete search history.

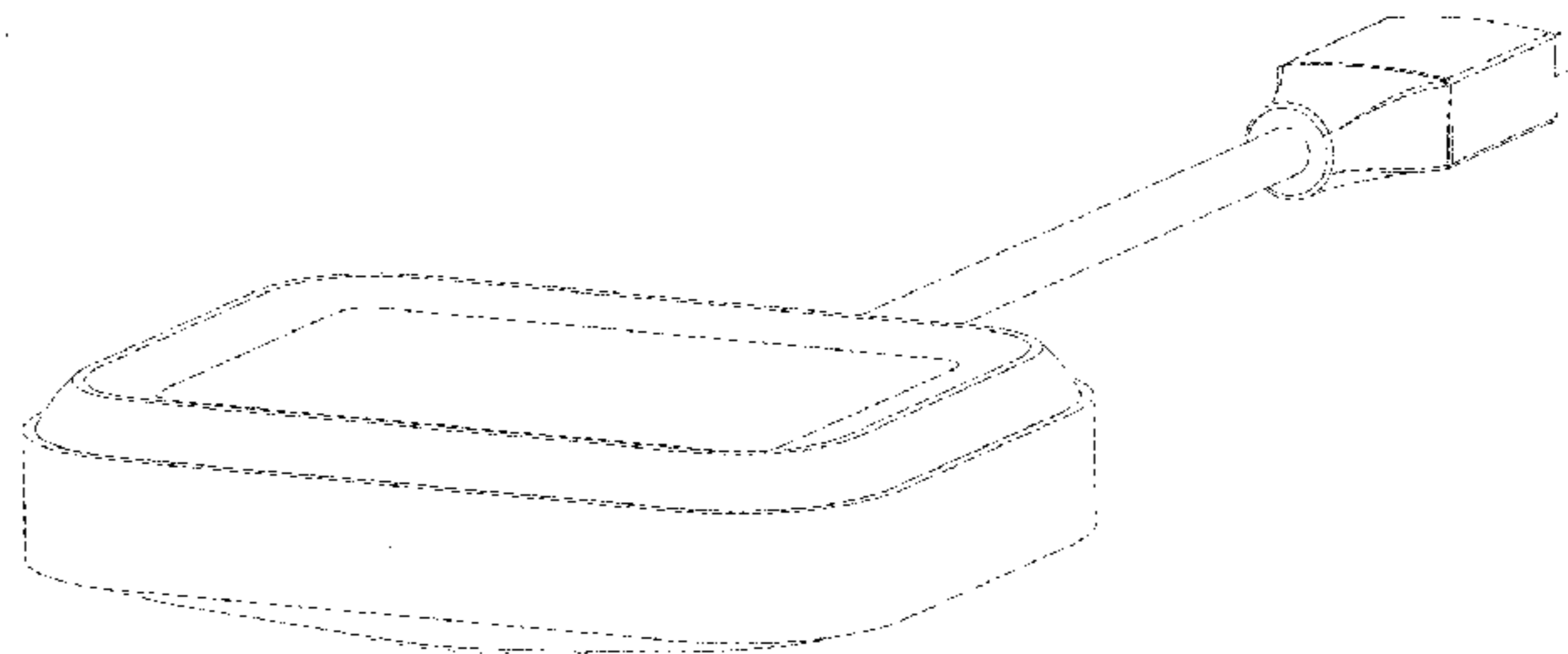
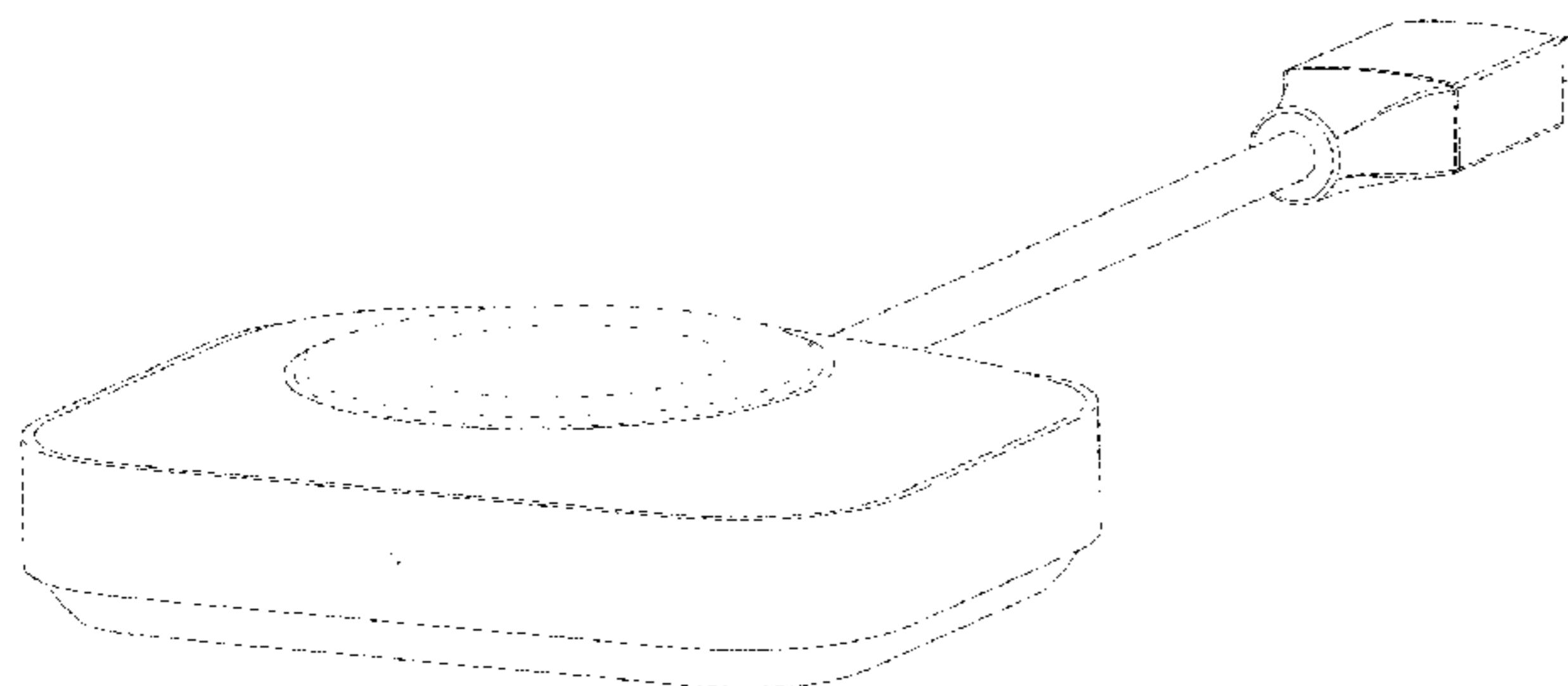
FIG. 1 is a front, top, and left side perspective view of a charger for electronic devices showing our new design; FIG. 2 is a front, bottom and right side perspective view thereof; FIG. 3 is a top plan view thereof; FIG. 4 is a bottom plan view thereof; FIG. 5 is a right side elevational view thereof; FIG. 6 is a left side elevational view thereof; FIG. 7 is a front elevational view thereof; FIG. 8 is a rear elevational view thereof, rotated 180 degrees; FIG. 9 is the perspective view of FIG. 1 shown in an environment of use; FIG. 10 is the perspective view of FIG. 2 shown in an environment of use; FIG. 11 is the perspective view of FIG. 9 shown in a second environment of use; and, FIG. 12 is the perspective view of FIG. 10 shown in a second environment of use. The broken lines in the figures depict portions of the article and environmental subject matter which form no part of the claimed design.

(56) **References Cited**

U.S. PATENT DOCUMENTS

D508,899 S * 8/2005 Suzuki D14/125
D602,891 S * 10/2009 Luo D14/125
D756,990 S * 5/2016 Akana D14/314
D794,557 S * 8/2017 Kim D13/108
D806,657 S * 1/2018 Russo D10/104.1
D845,897 S * 4/2019 Kim D13/108
D845,931 S * 4/2019 Kosuge D14/218
D887,974 S * 6/2020 Chen D13/108
D906,959 S * 1/2021 Turksu D13/108
D911,955 S * 3/2021 Turksu D13/108

1 Claim, 10 Drawing Sheets



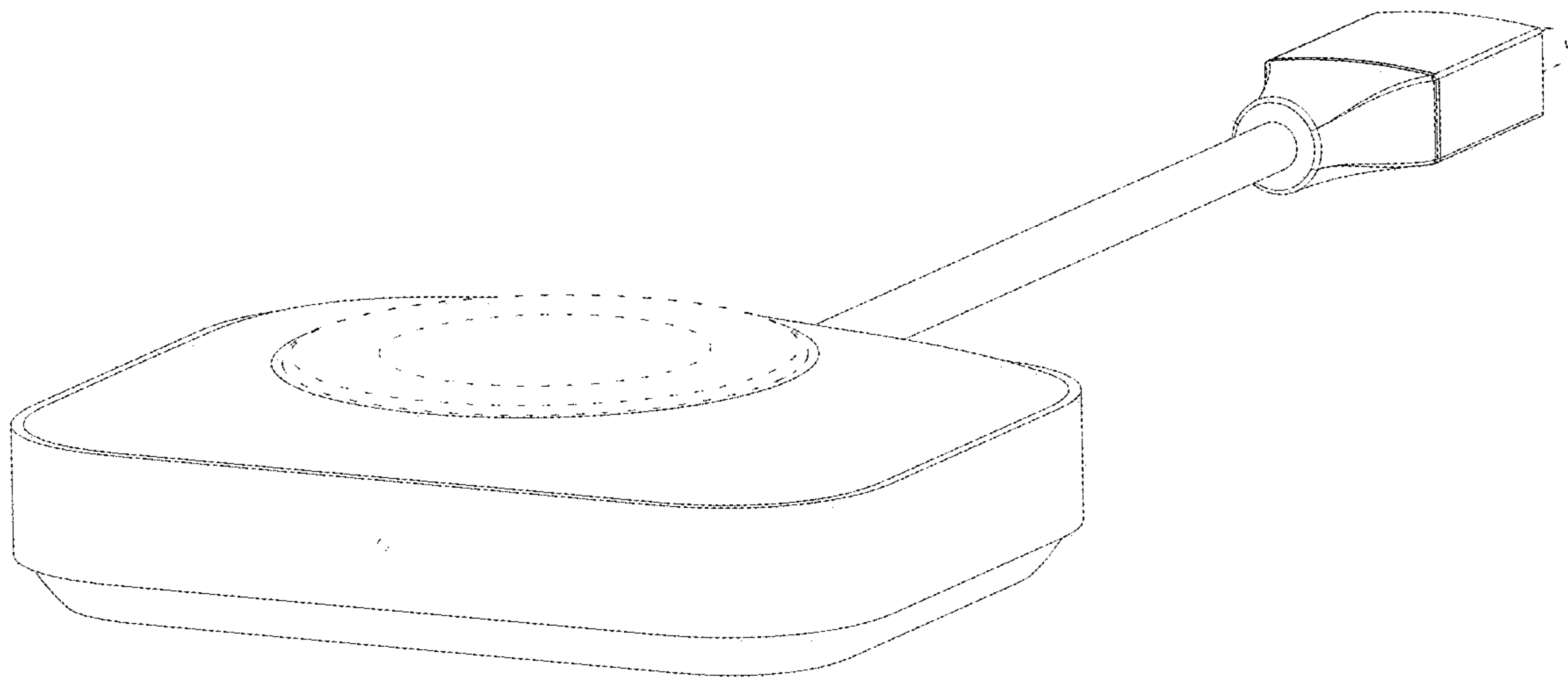


FIG. 1

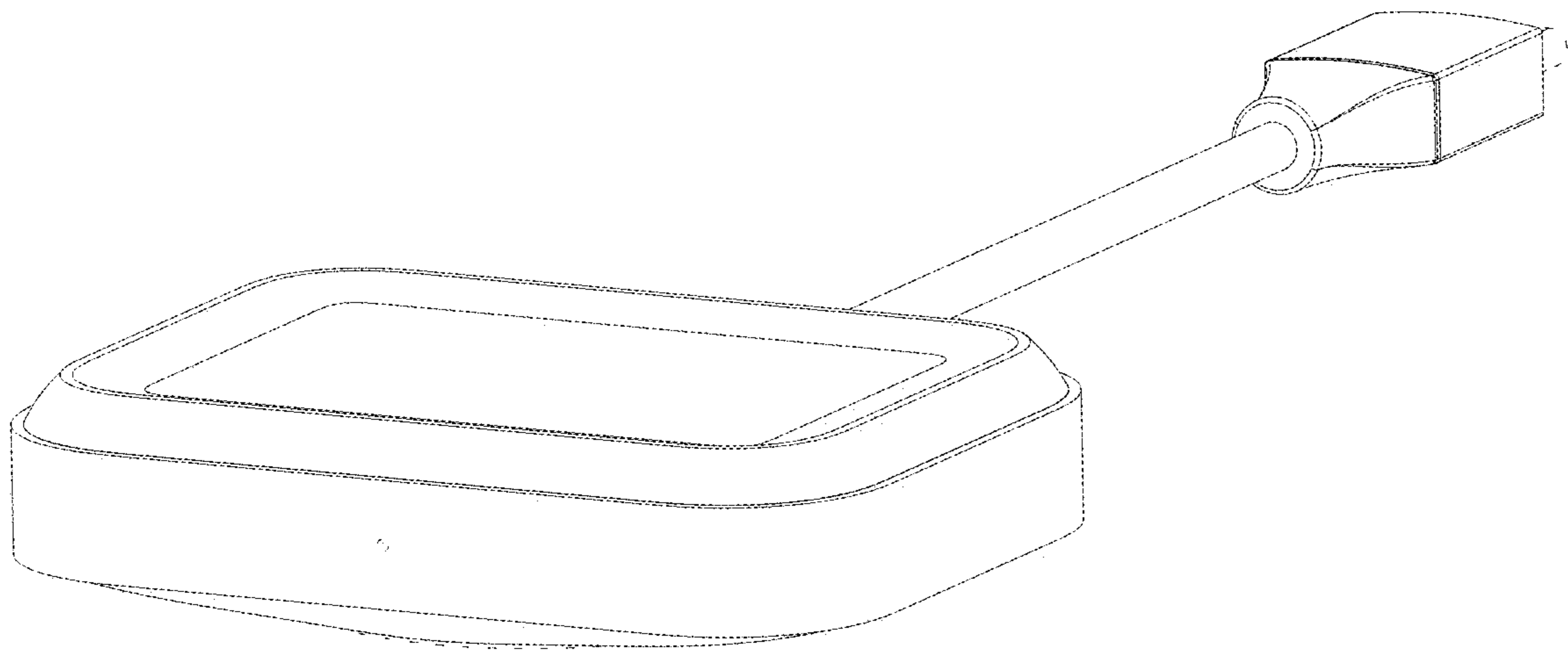


FIG. 2

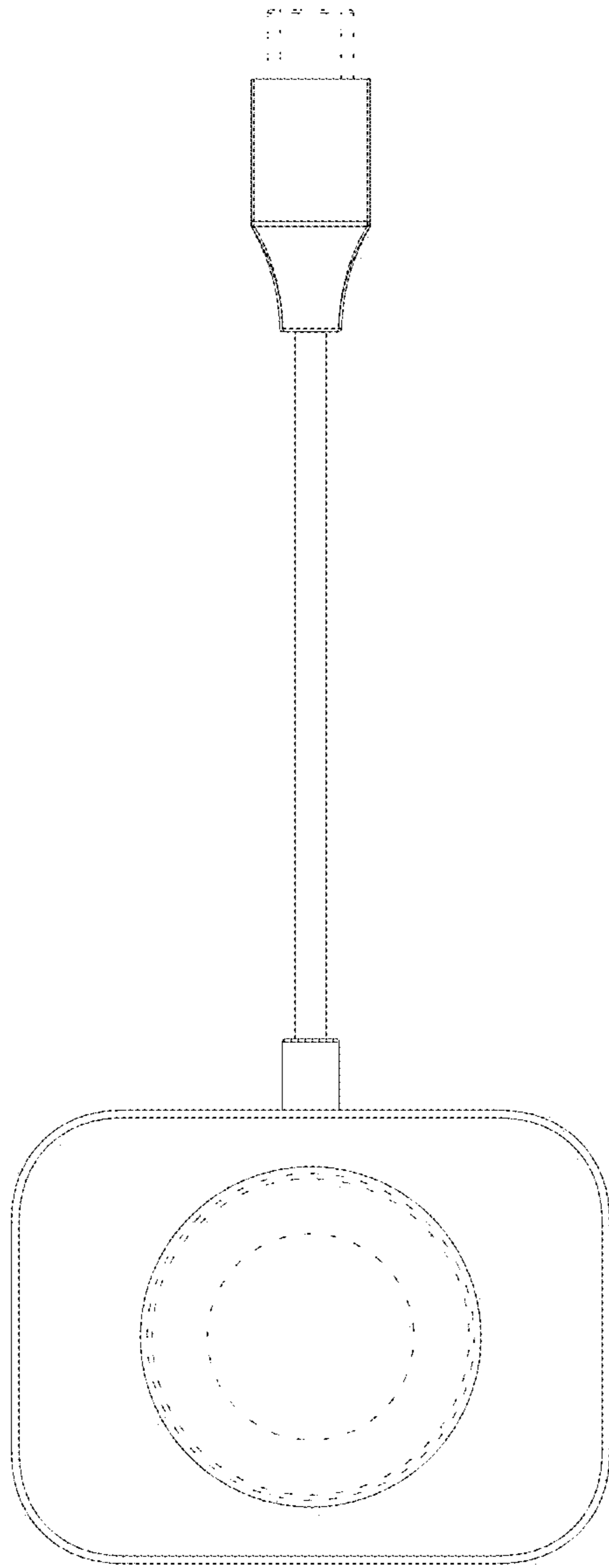


FIG. 3

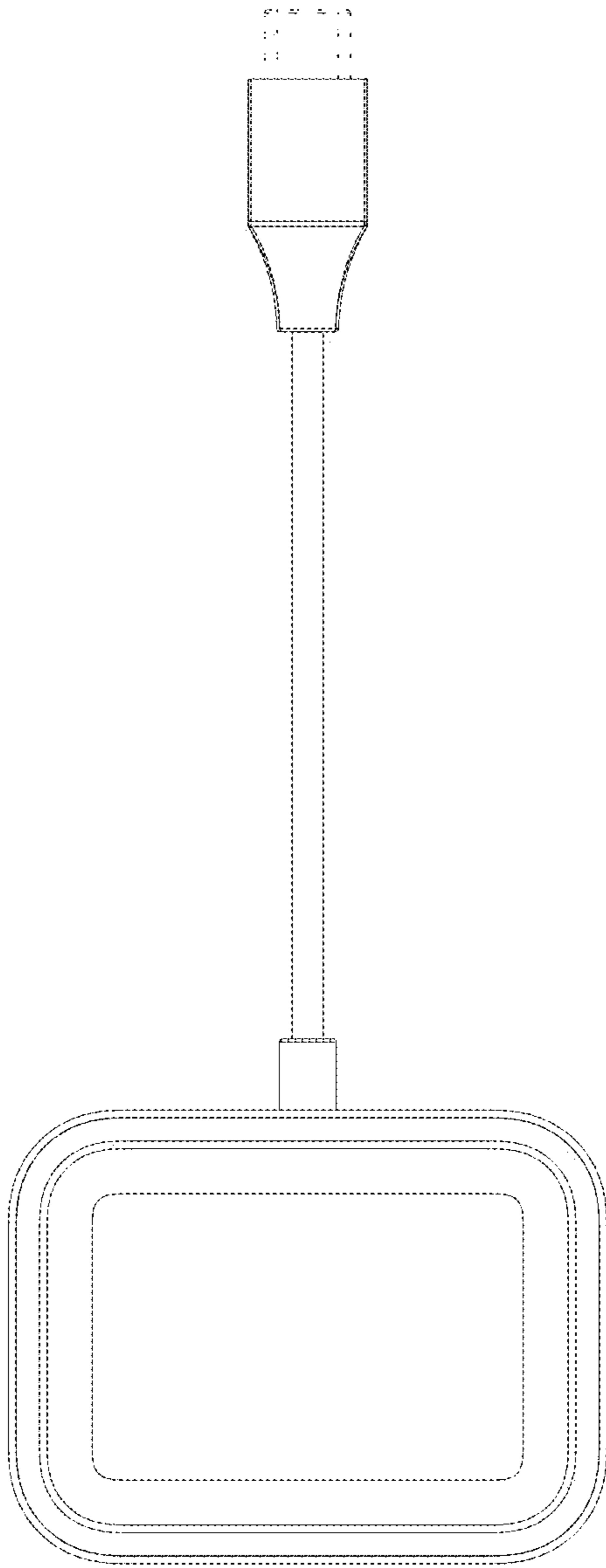


FIG. 4



FIG. 5



FIG. 6

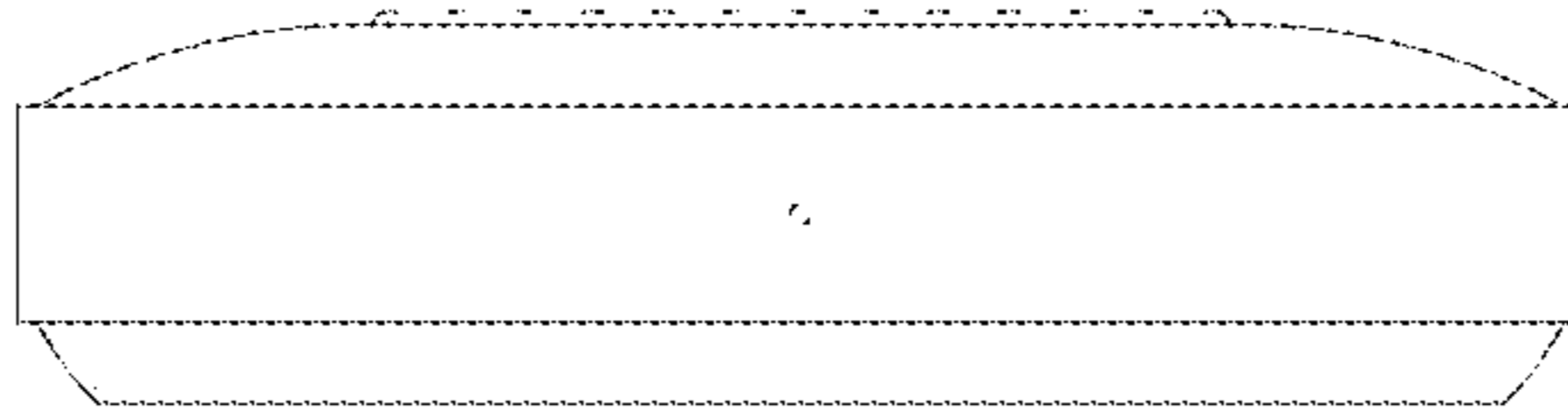


FIG. 7

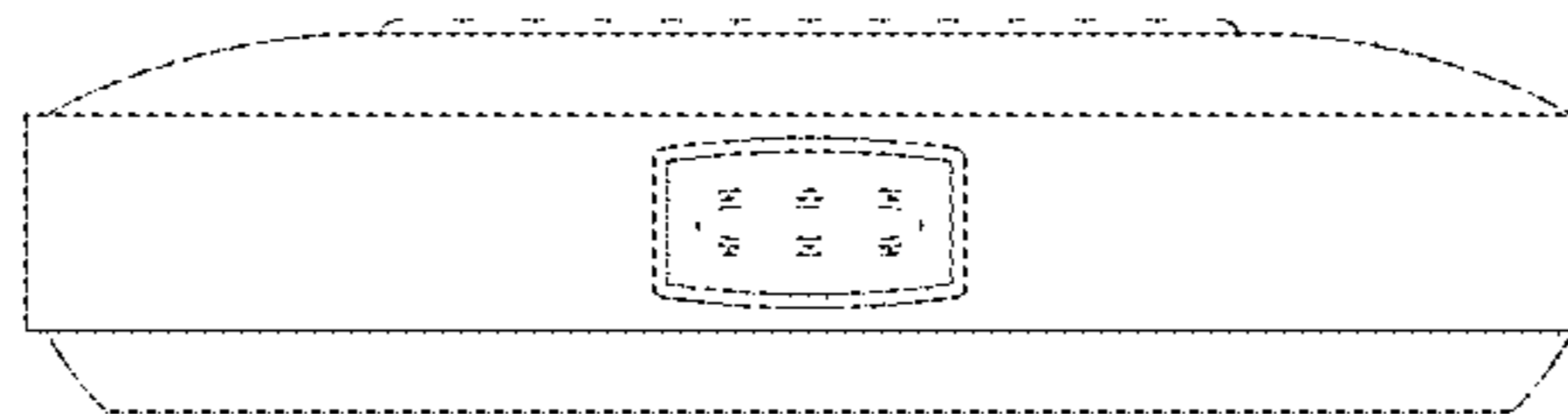


FIG. 8

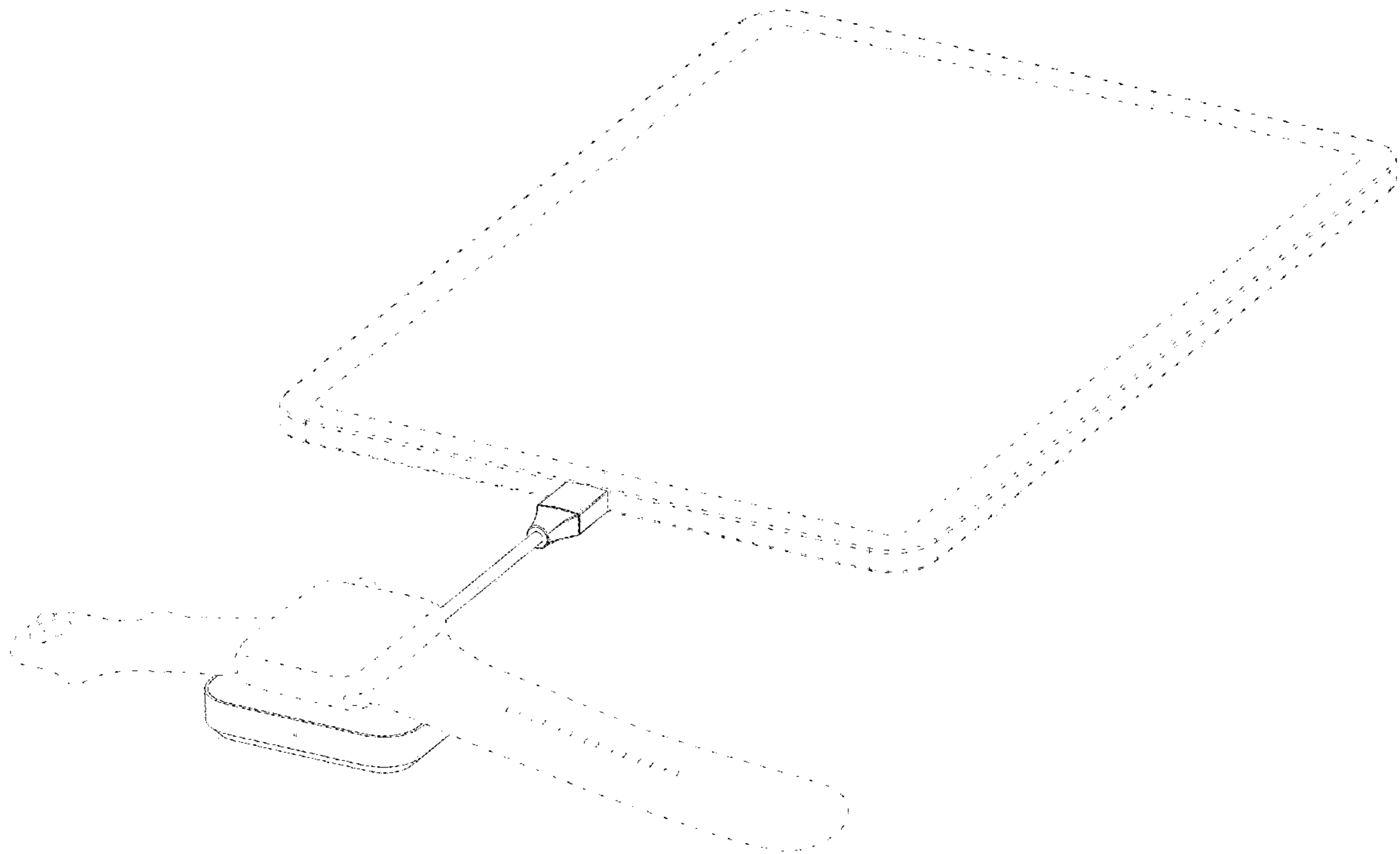


FIG. 9

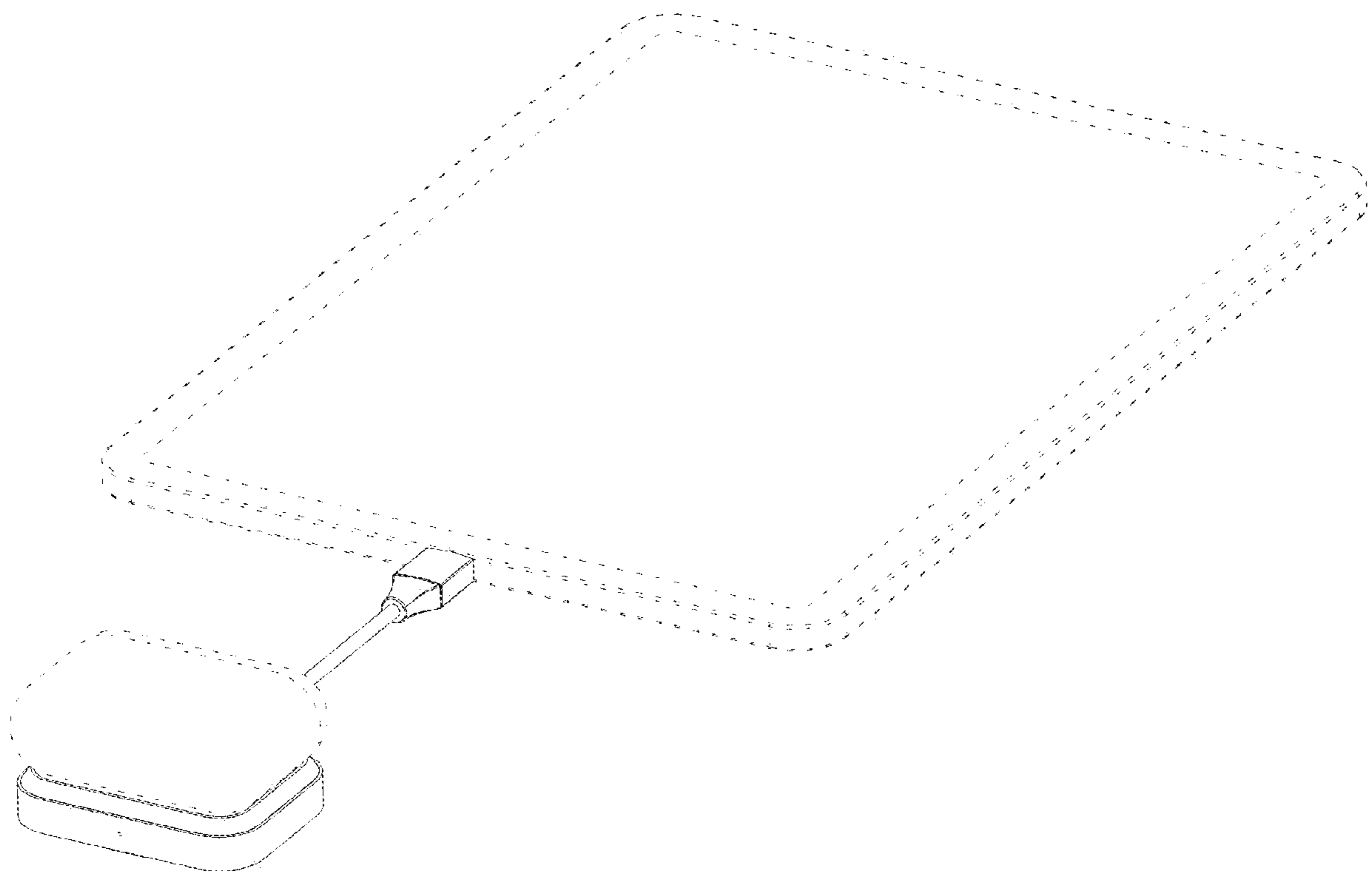


FIG. 10

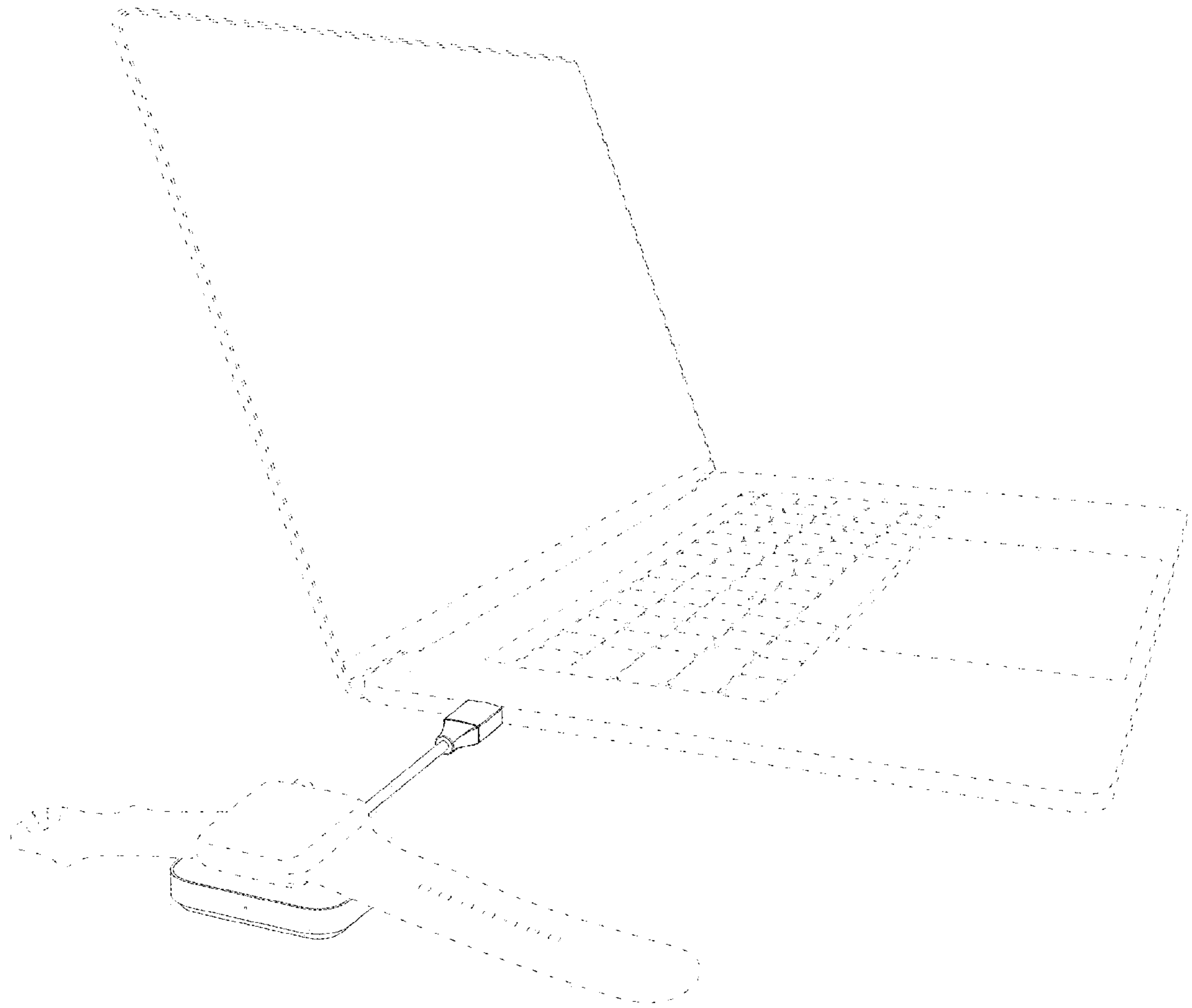


FIG. 11

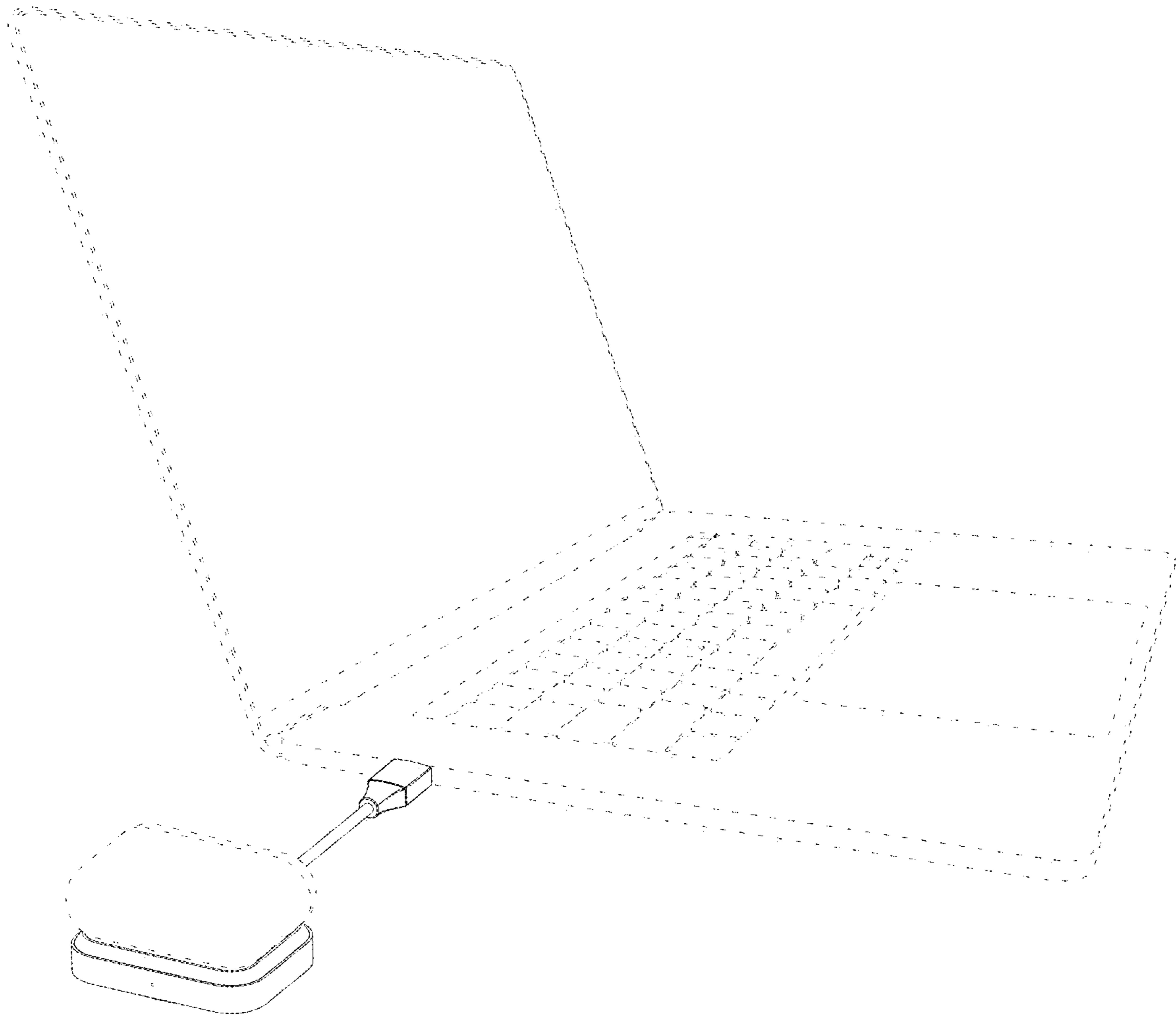


FIG. 12