



US00D972499S

(12) **United States Design Patent**
Večerić

(10) **Patent No.:** **US D972,499 S**

(45) **Date of Patent:** **** Dec. 13, 2022**

(54) **PORTABLE POWER STATION**

(71) Applicant: **Dor Gefen**, Burbank, CA (US)

(72) Inventor: **Valentino Večerić**, Turčin (HR)

(**) Term: **15 Years**

(21) Appl. No.: **29/788,479**

(22) Filed: **Jun. 4, 2021**

(51) **LOC (13) Cl.** **13-02**

(52) **U.S. Cl.**
USPC **D13/107; D13/103**

(58) **Field of Classification Search**
USPC D13/102–106, 110, 118–119, 184
CPC . Y02E 60/10; H01M 2220/30; H01M 50/209;
H01M 50/213; H01M 50/183; H01M
50/10; H01M 50/529; H01M 50/531;
H01M 10/0525; H01M 10/0436; H01M
10/052; H01M 10/0565; H01M 10/30;
H01M 10/345; H01M 10/425; H01M
2010/0495; B25F 5/02; B25F 5/00; A61B
2017/00734

See application file for complete search history.

(56) **References Cited**

U.S. PATENT DOCUMENTS

D377,335 S	1/1997	Katooka et al.	
D386,148 S	11/1997	Katooka et al.	
D474,738 S	5/2003	Ishii et al.	
D664,499 S	7/2012	Workman et al.	
D711,319 S *	8/2014	Wilcox	D13/116
D793,338 S *	8/2017	Zheng	D13/116
D837,149 S	1/2019	Yin et al.	
D842,240 S	3/2019	Lai et al.	
D858,441 S *	9/2019	Chen	D13/110
D864,866 S	10/2019	Dong et al.	
D868,686 S *	12/2019	Zhong	D13/106
D874,395 S	2/2020	Sun	

D874,397 S	2/2020	Sun et al.	
D874,398 S	2/2020	Sun et al.	
D875,037 S	2/2020	Hung et al.	
D897,283 S *	9/2020	Sun	D13/103
D897,284 S	9/2020	Sun et al.	
D902,857 S	11/2020	Jia	
D911,273 S	2/2021	Sun et al.	
D911,953 S	3/2021	Yin et al.	
D916,655 S *	4/2021	Fang	D13/103
D922,944 S *	6/2021	Fu	D13/103
D937,207 S *	11/2021	Zhen	D13/103
D942,933 S *	2/2022	Yin	D13/107
D949,098 S *	4/2022	Wang	D13/116
D955,329 S *	6/2022	Yu	D13/103
D955,975 S *	6/2022	Fu	D13/103
D961,500 S *	8/2022	Sun	D13/116

* cited by examiner

Primary Examiner — Nathaniel D. Buckner
(74) *Attorney, Agent, or Firm* — Dunlap Bennett & Ludwig, PLLC

(57) **CLAIM**

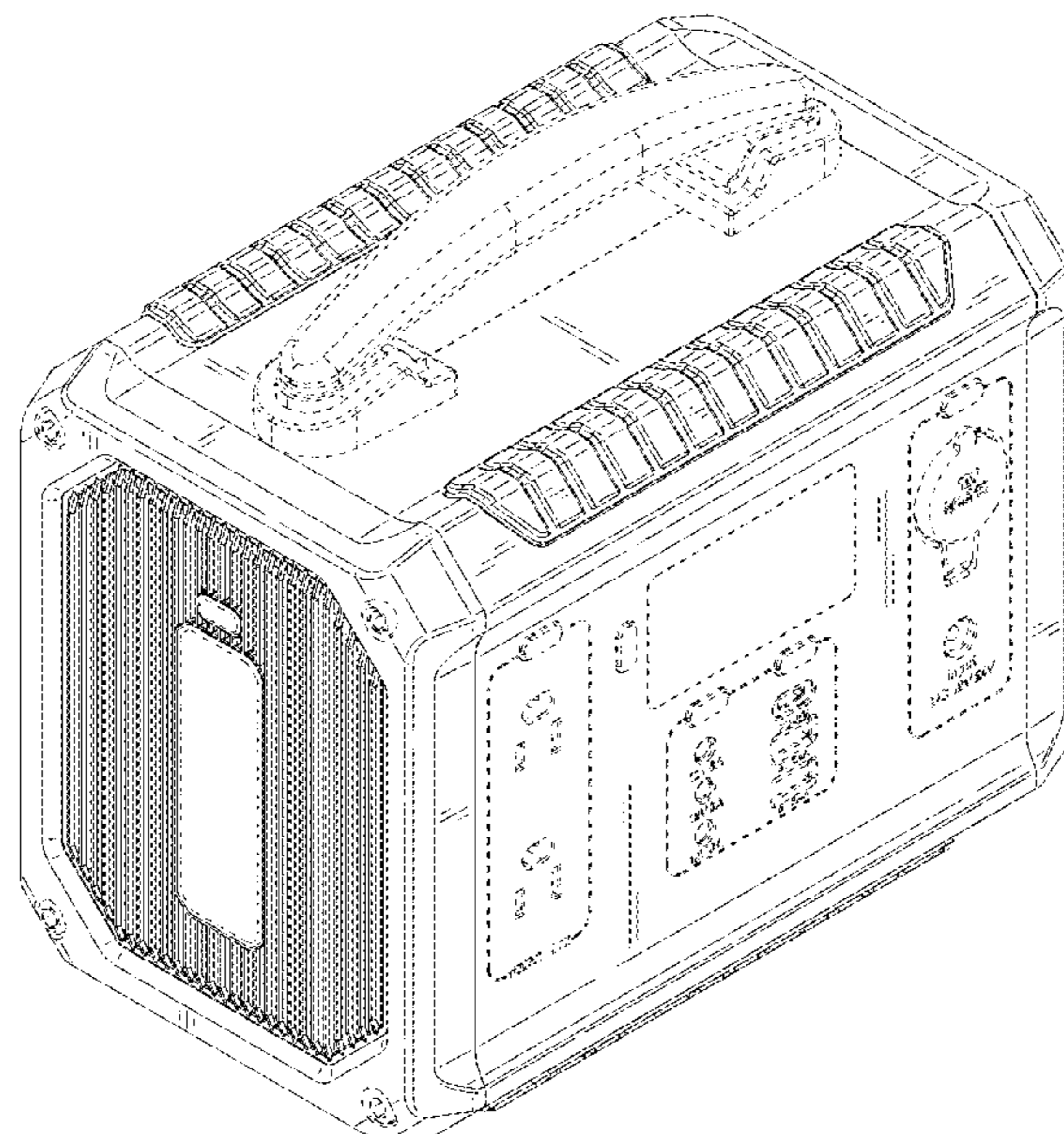
The ornamental design for a portable power station, as shown and described.

DESCRIPTION

FIG. 1 is a perspective view of the portable power station showing my new design;
 FIG. 2 is a front elevation view thereof;
 FIG. 3 is a rear elevation view thereof;
 FIG. 4 is a left side elevation view thereof;
 FIG. 5 is a right side elevation view thereof;
 FIG. 6 is a top plan view thereof; and,
 FIG. 7 is a bottom plan view thereof.

The broken lines shown in the drawings illustrate portions of the portable power station that form no part of the claimed design.

1 Claim, 5 Drawing Sheets



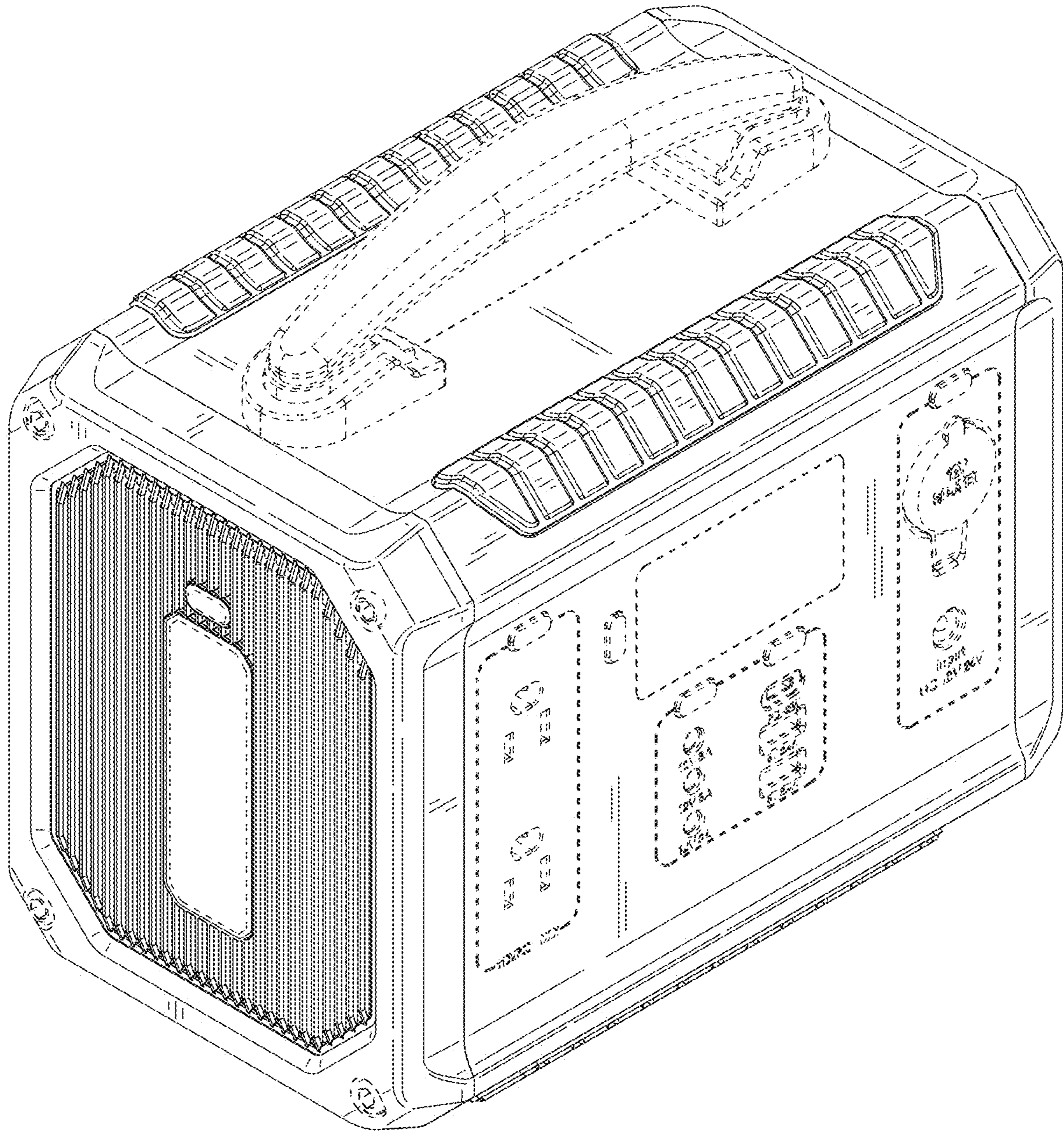


FIG. 1

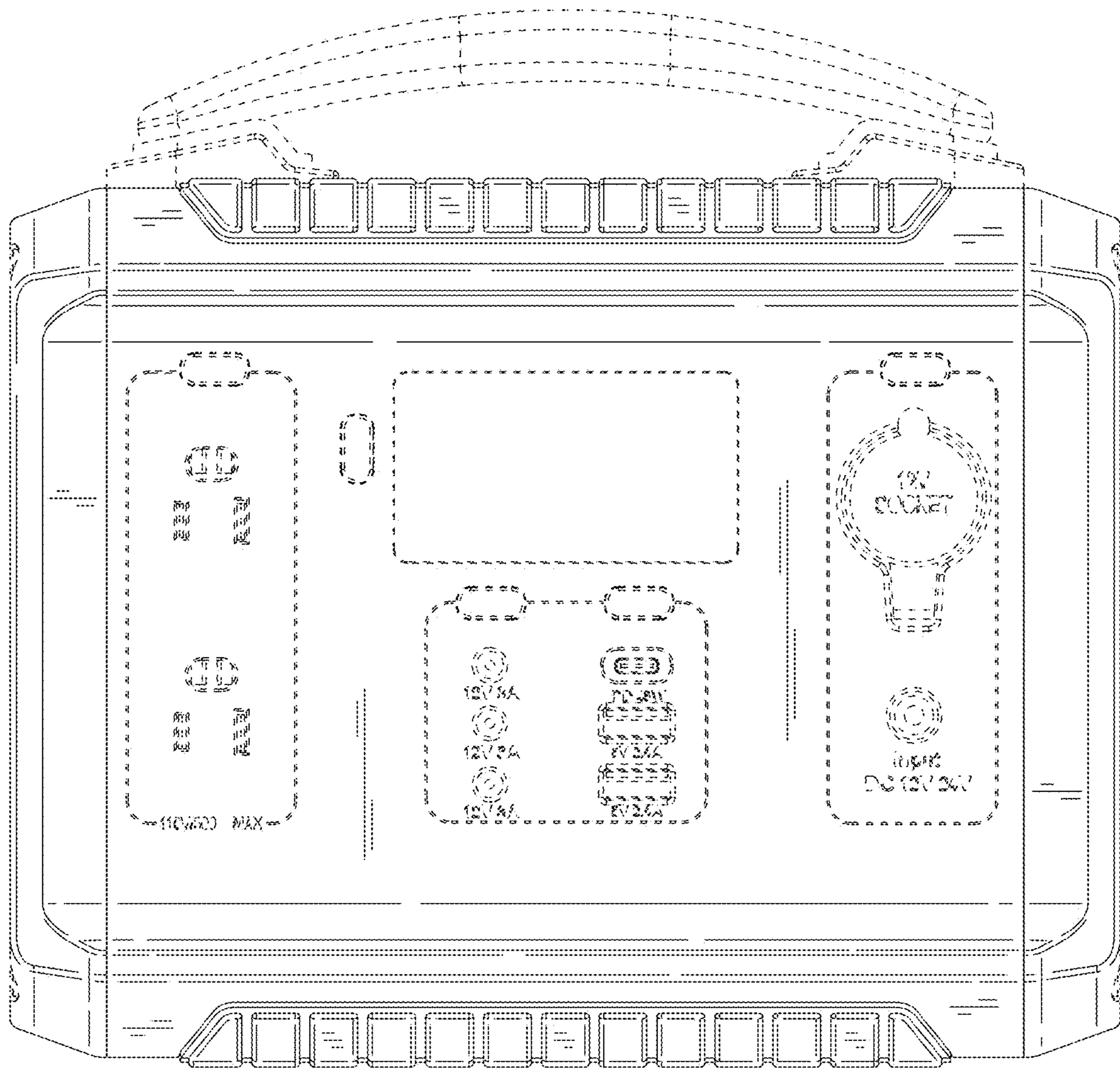


FIG. 2

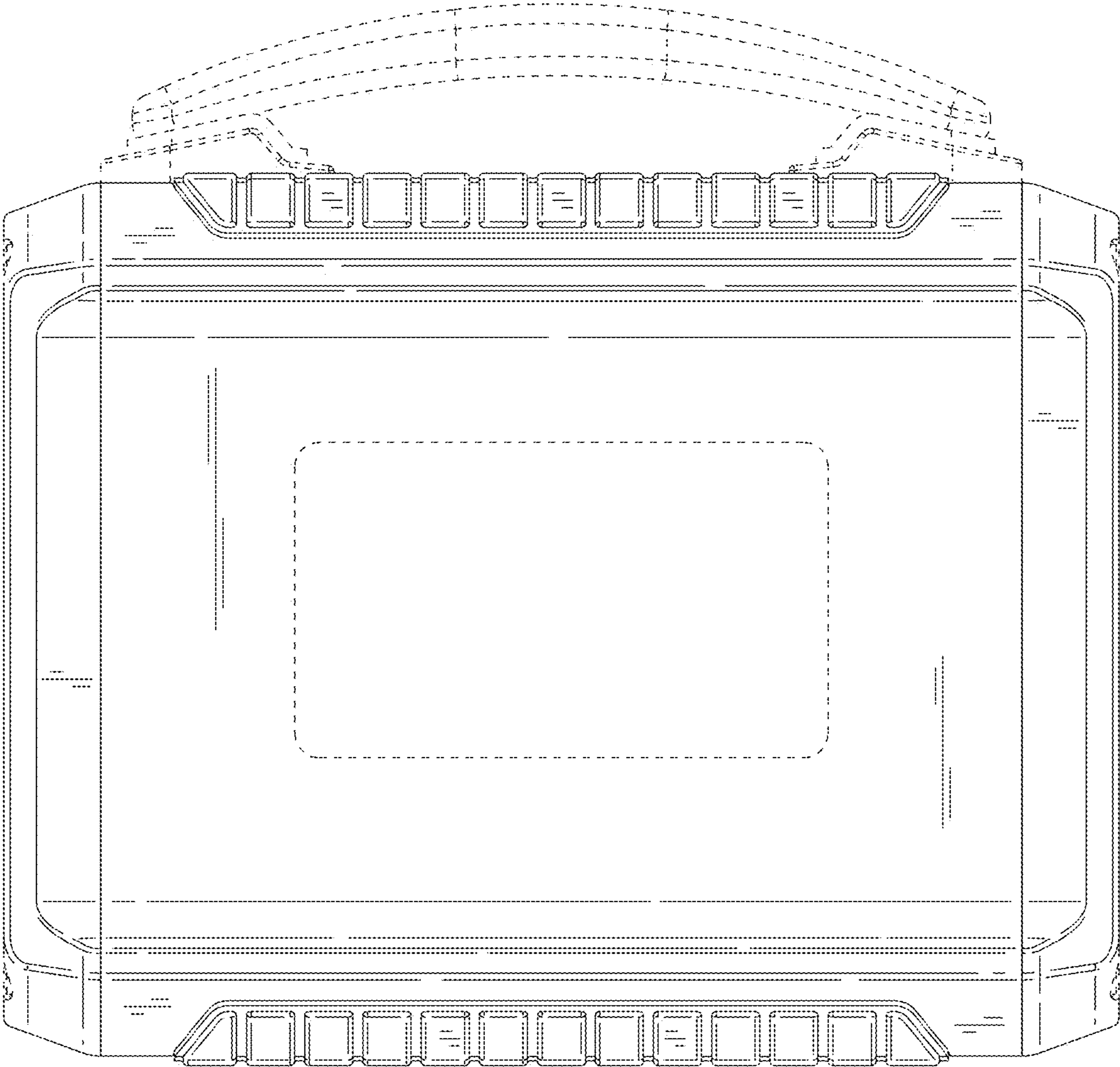


FIG. 3

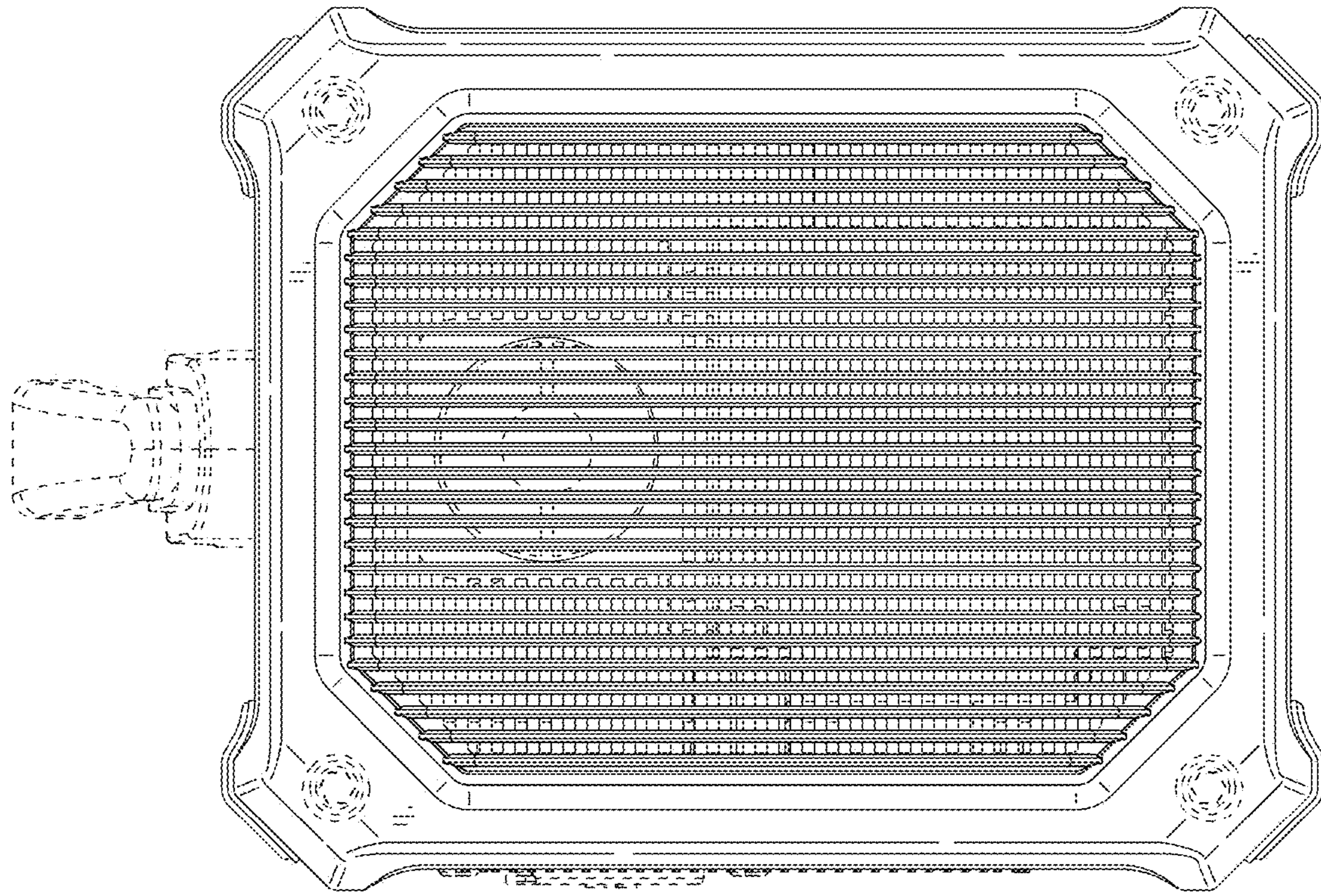


FIG. 5

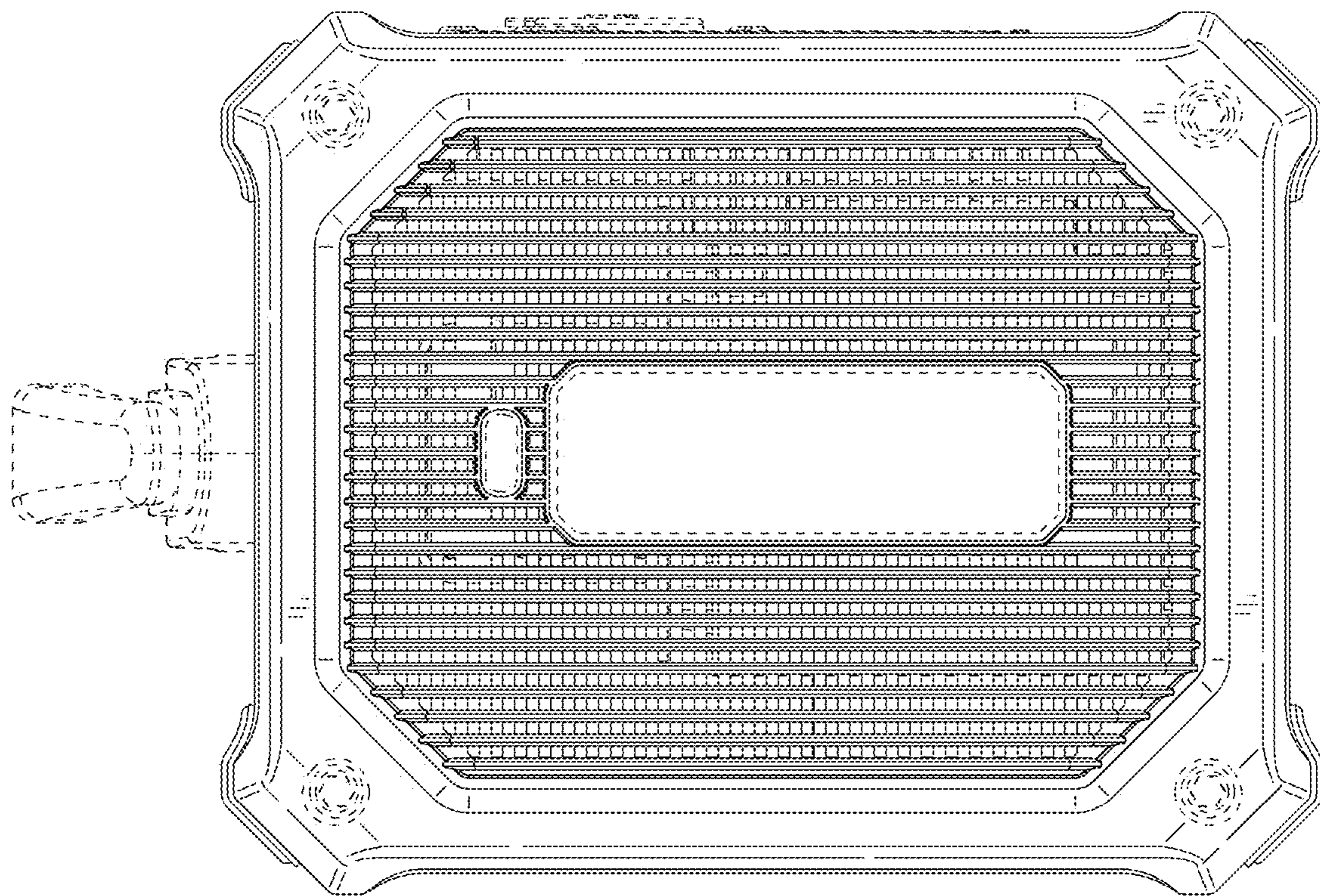


FIG. 4

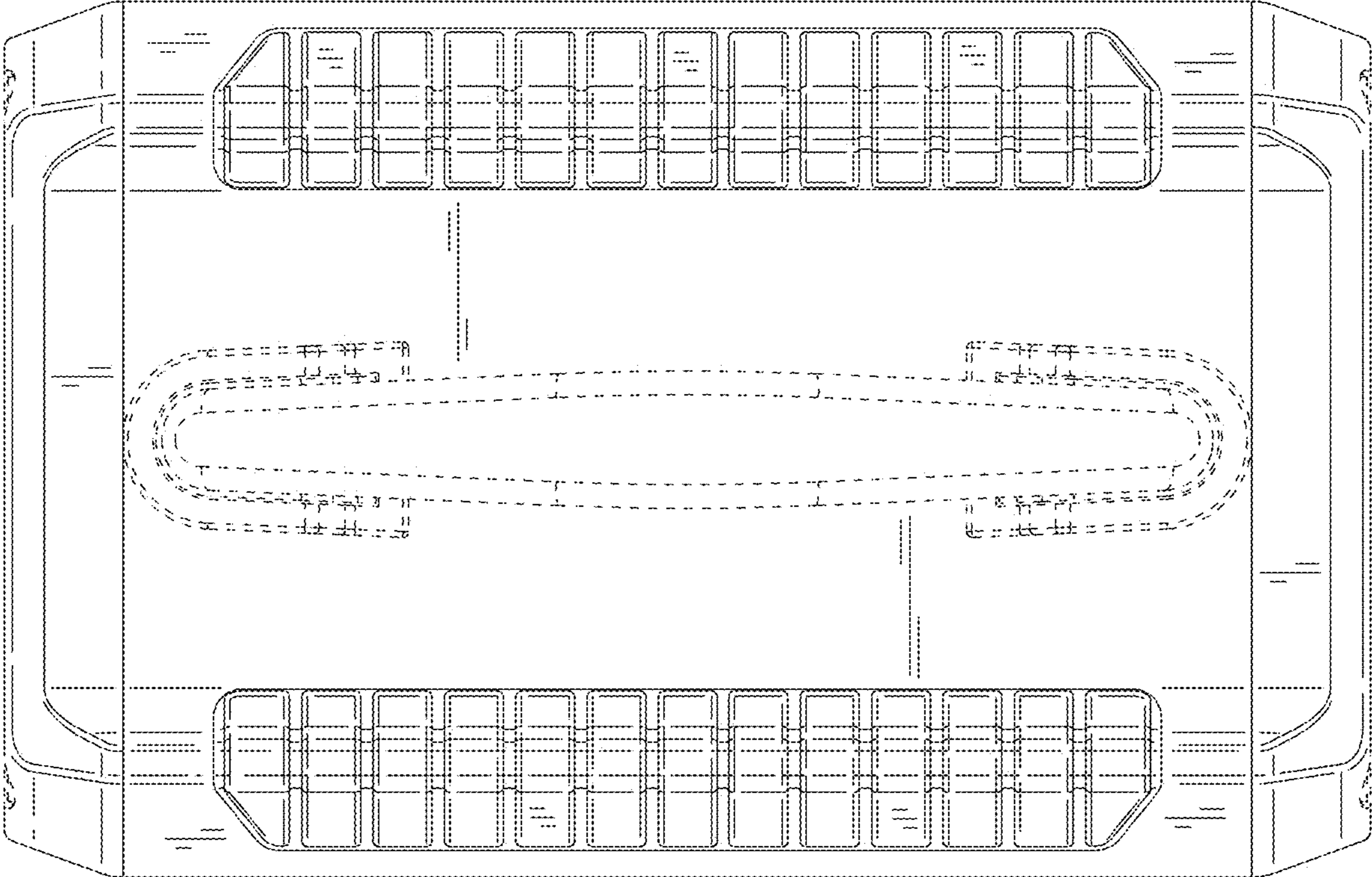


FIG. 6

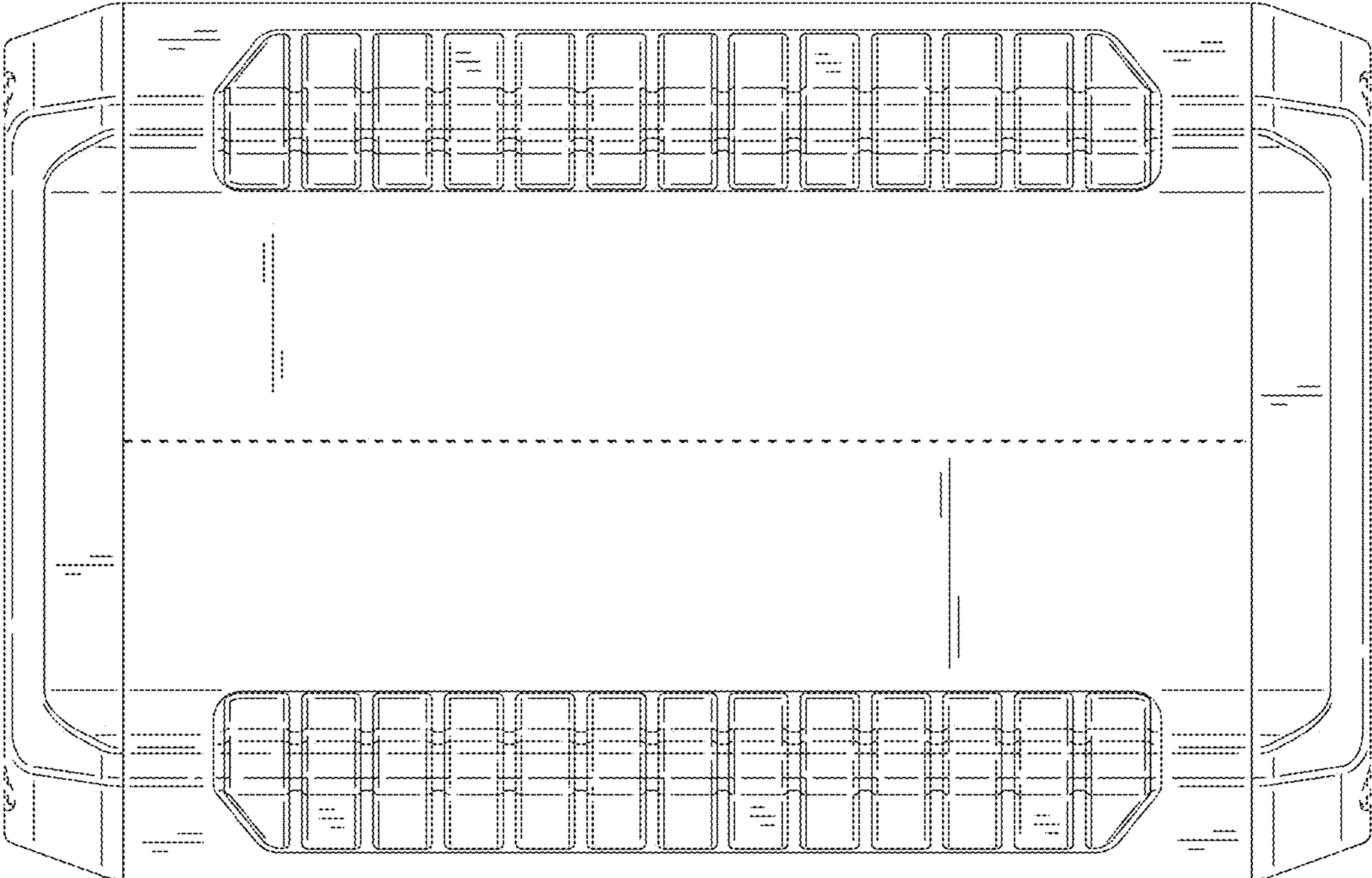


FIG. 7