



US00D972498S

(12) **United States Design Patent** (10) **Patent No.:** **US D972,498 S**  
**He et al.** (45) **Date of Patent:** **\*\* Dec. 13, 2022**

(54) **BATTERY**

- (71) Applicant: **Shenzhen Del Contemporary Technology Ltd.**, Shenzhen (CN)
- (72) Inventors: **Wei He**, Shenzhen (CN); **Ruiwen Kuang**, Shenzhen (CN); **Rongzhen Huang**, Shenzhen (CN)
- (73) Assignee: **Shenzhen Del Contemporary Technology Ltd.**, Shenzhen (CN)
- (\*\*) Term: **15 Years**
- (21) Appl. No.: **29/757,972**
- (22) Filed: **Nov. 11, 2020**
- (51) **LOC (13) Cl.** ..... **13-02**
- (52) **U.S. Cl.**  
USPC ..... **D13/107**; D13/103
- (58) **Field of Classification Search**  
USPC ..... D13/103, 106, 107, 108, 109, 110, 112, D13/116, 118, 119, 184, 199; D15/199  
CPC ..... F02N 11/12; F02B 63/04; H02J 7/0045  
See application file for complete search history.

(56) **References Cited**

**U.S. PATENT DOCUMENTS**

4,595,841	A *	6/1986	Yaguchi	.....	F02B 75/16
					D13/116
D764,403	S *	8/2016	Azuma	.....	D13/103
D815,039	S *	4/2018	Wen	.....	D13/110
D874,397	S *	2/2020	Sun	.....	D13/107
D875,037	S *	2/2020	Hung	.....	D13/107
D883,206	S *	5/2020	Bai	.....	D13/110
D911,935	S *	3/2021	Alexander	.....	D13/107
D911,957	S *	3/2021	Sun	.....	D13/103
D930,585	S *	9/2021	Yu	.....	D13/110
D936,007	S *	11/2021	Huang	.....	D13/110
D938,355	S *	12/2021	Xiong	.....	D13/110
2015/0091392	A1 *	4/2015	Hwang	.....	H02J 7/0045
					307/150
2019/0013686	A1 *	1/2019	Ma	.....	H02J 7/342

**OTHER PUBLICATIONS**

“Jackery Portable Power Station”. Found online Aug. 24, 2021 at amazon.com. Reference dated Jul. 27, 2018. Retrieved from [https://www.amazon.com/Jackery-Portable-Generator-Explorer-Emergency/dp/B07FYJVFNK/ref=pd\\_di\\_sccai\\_4/138-1419969-7172313](https://www.amazon.com/Jackery-Portable-Generator-Explorer-Emergency/dp/B07FYJVFNK/ref=pd_di_sccai_4/138-1419969-7172313). (Year: 2018).\*

“KYNG Portable Power Station”. Found online Aug. 24, 2021 at amazon.com. Reference dated Dec. 1, 2019. Retrieved from <https://www.amazon.com/Kyng-Power-Generator-Emergency-Rechargeable/dp/B07SVL2CP3>. (Year: 2019).\*

“GrantMaya Portable Power Station”. Found online May 27, 2021 at amazon.com. Reference dated Jan. 10, 2019. Retrieved from [https://www.amazon.com/dp/B0787SHJ21/ref=sspa\\_dk\\_detail\\_3](https://www.amazon.com/dp/B0787SHJ21/ref=sspa_dk_detail_3). (Year: 2019).\*

\* cited by examiner

*Primary Examiner* — Kendra Leslie Hamilton

*Assistant Examiner* — Amanda Christensen

(74) *Attorney, Agent, or Firm* — Hawaii Patent Services; Nathaniel K. Fedde; Kenton N. Fedde

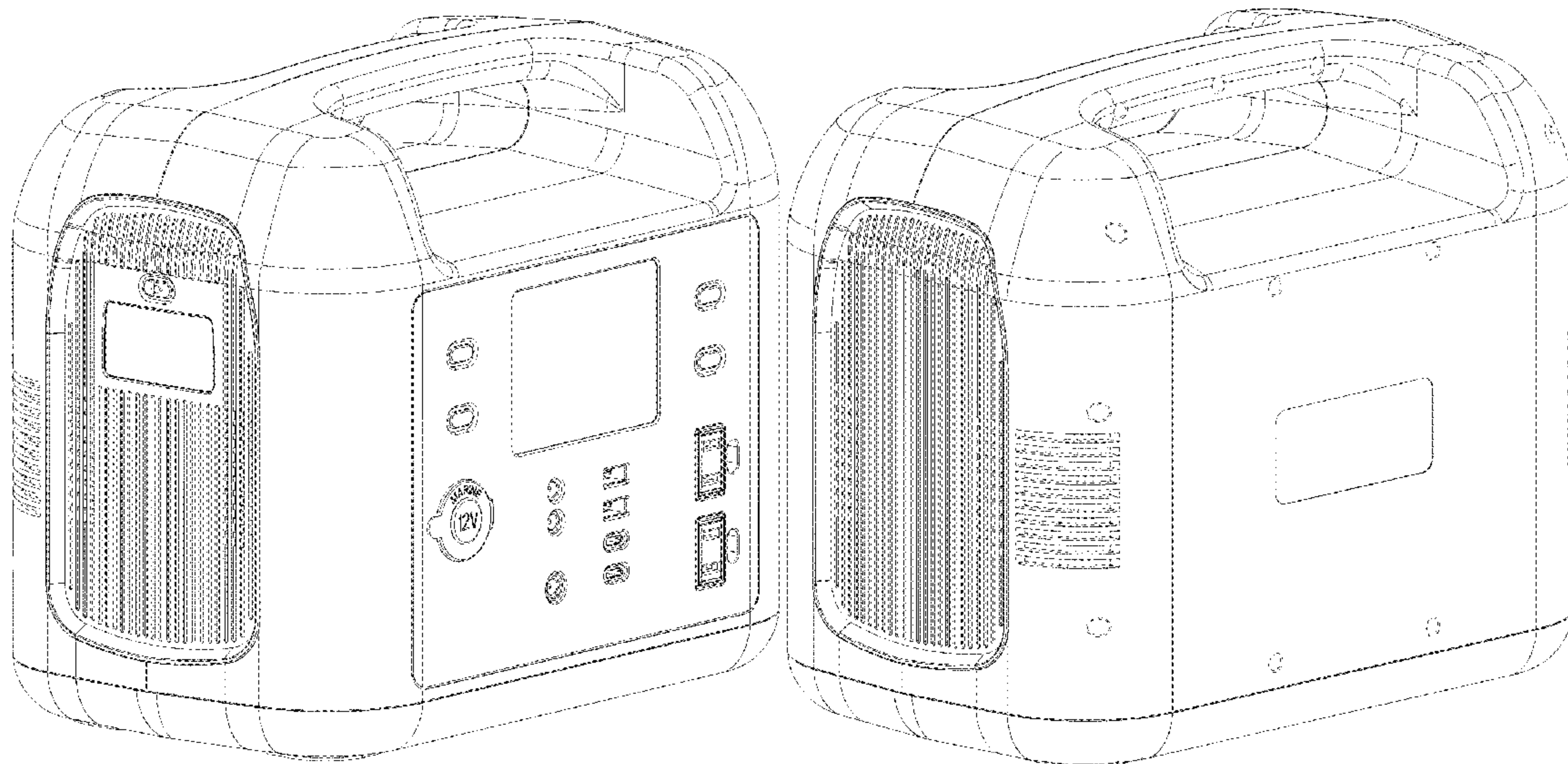
(57) **CLAIM**

The ornamental design for a battery, as shown and described.

**DESCRIPTION**

FIG. 1 is a top, front, left side perspective view of a battery; FIG. 2 is a front elevational view thereof; FIG. 3 is a rear elevational view thereof; FIG. 4 is a left side elevational view thereof; FIG. 5 is a right side elevational view thereof; FIG. 6 is a top plan view thereof; FIG. 7 is a bottom plan view thereof; and, FIG. 8 is a top, rear, right side perspective view thereof. The broken lines in the drawings depict portions of the battery that form no part of the claimed design.

**1 Claim, 8 Drawing Sheets**



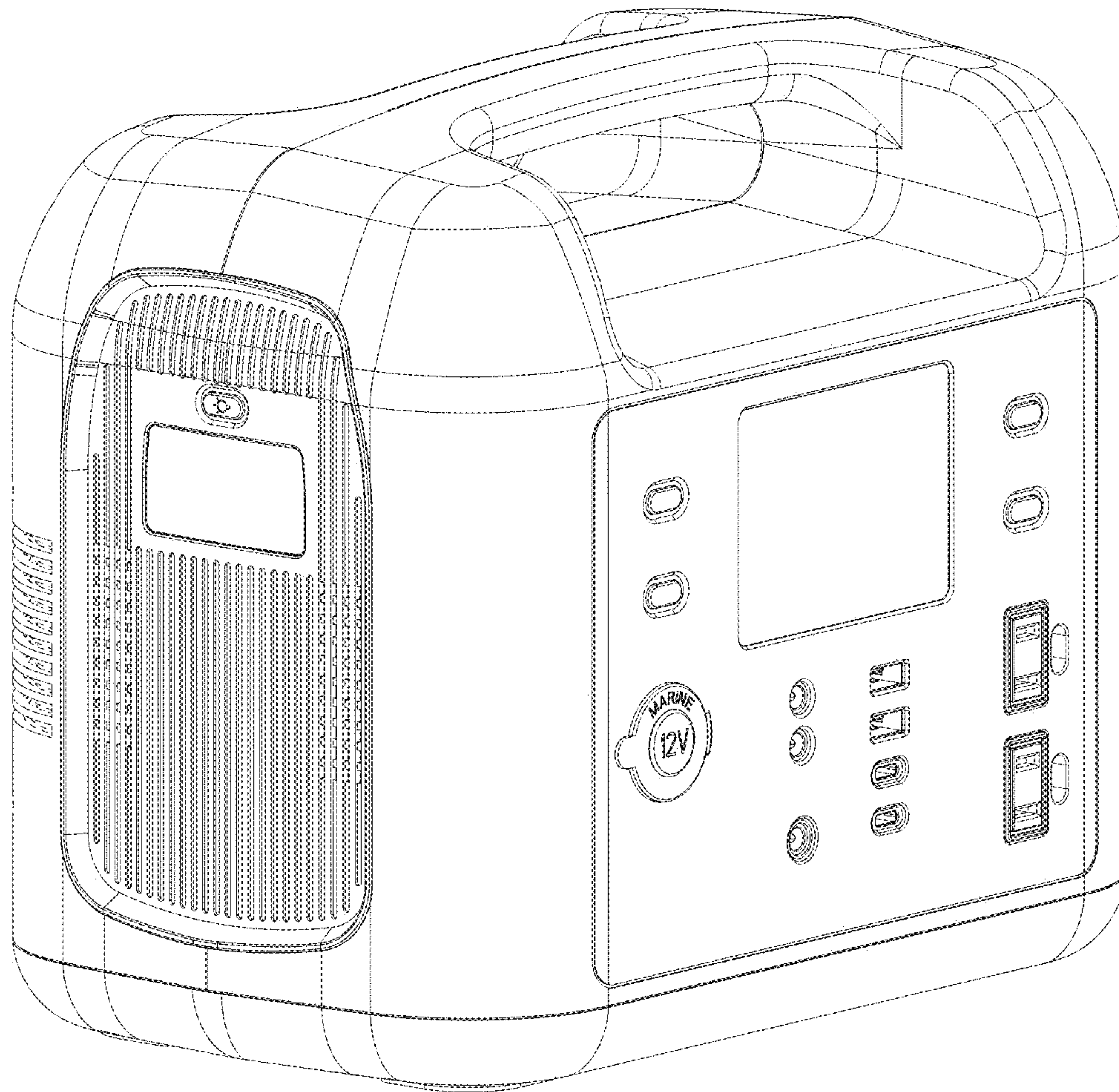


FIG. 1



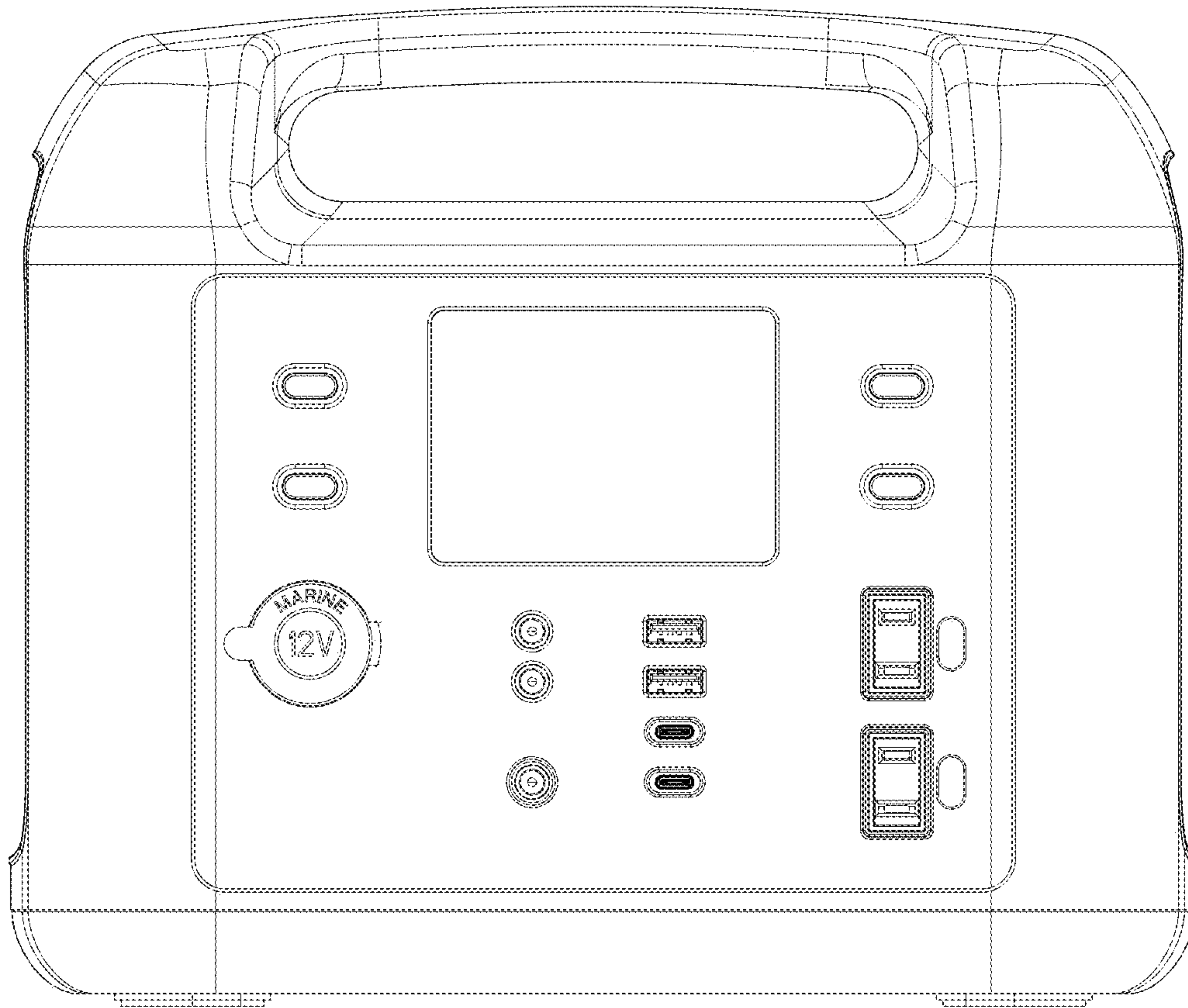


FIG.2

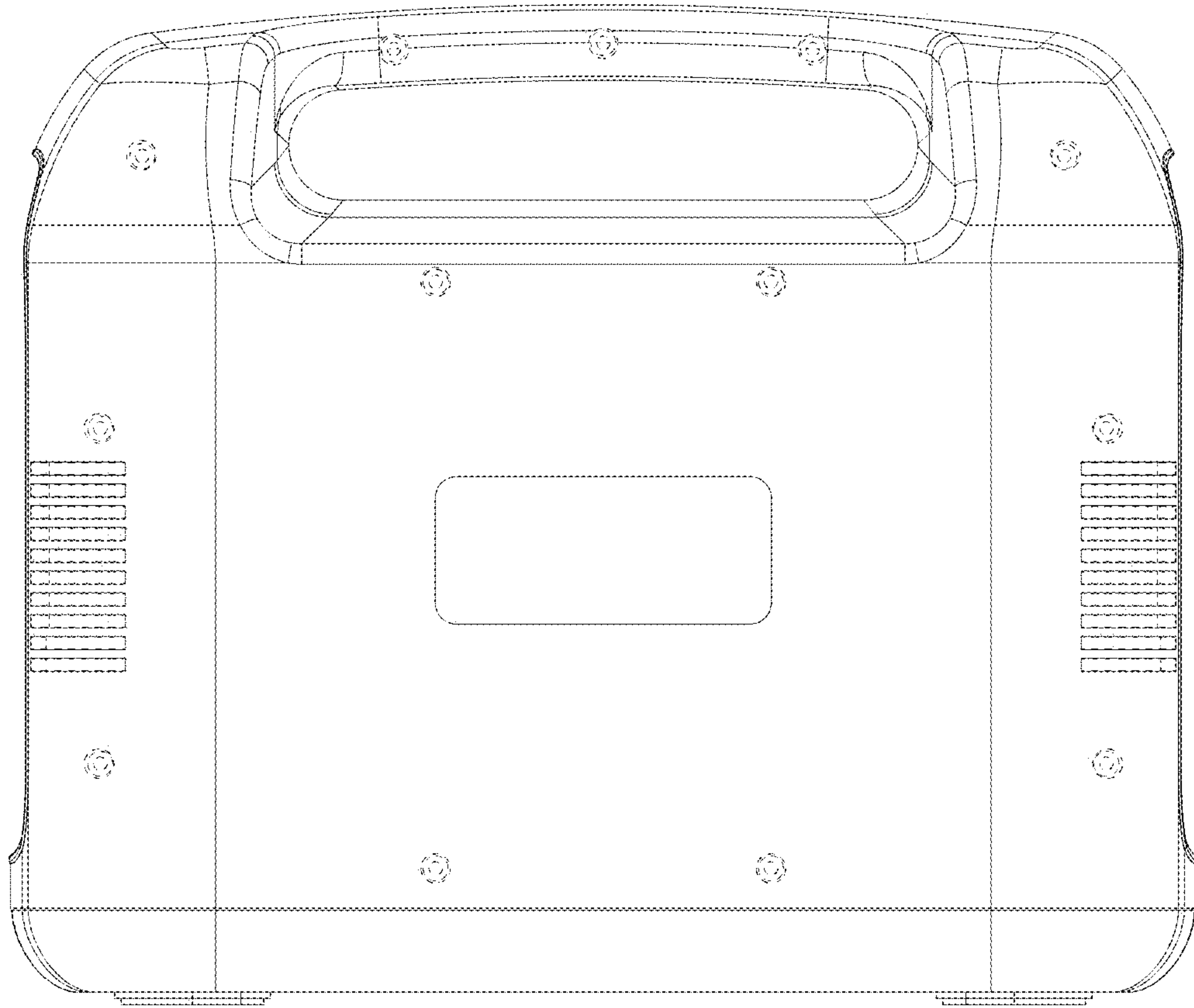


FIG.3

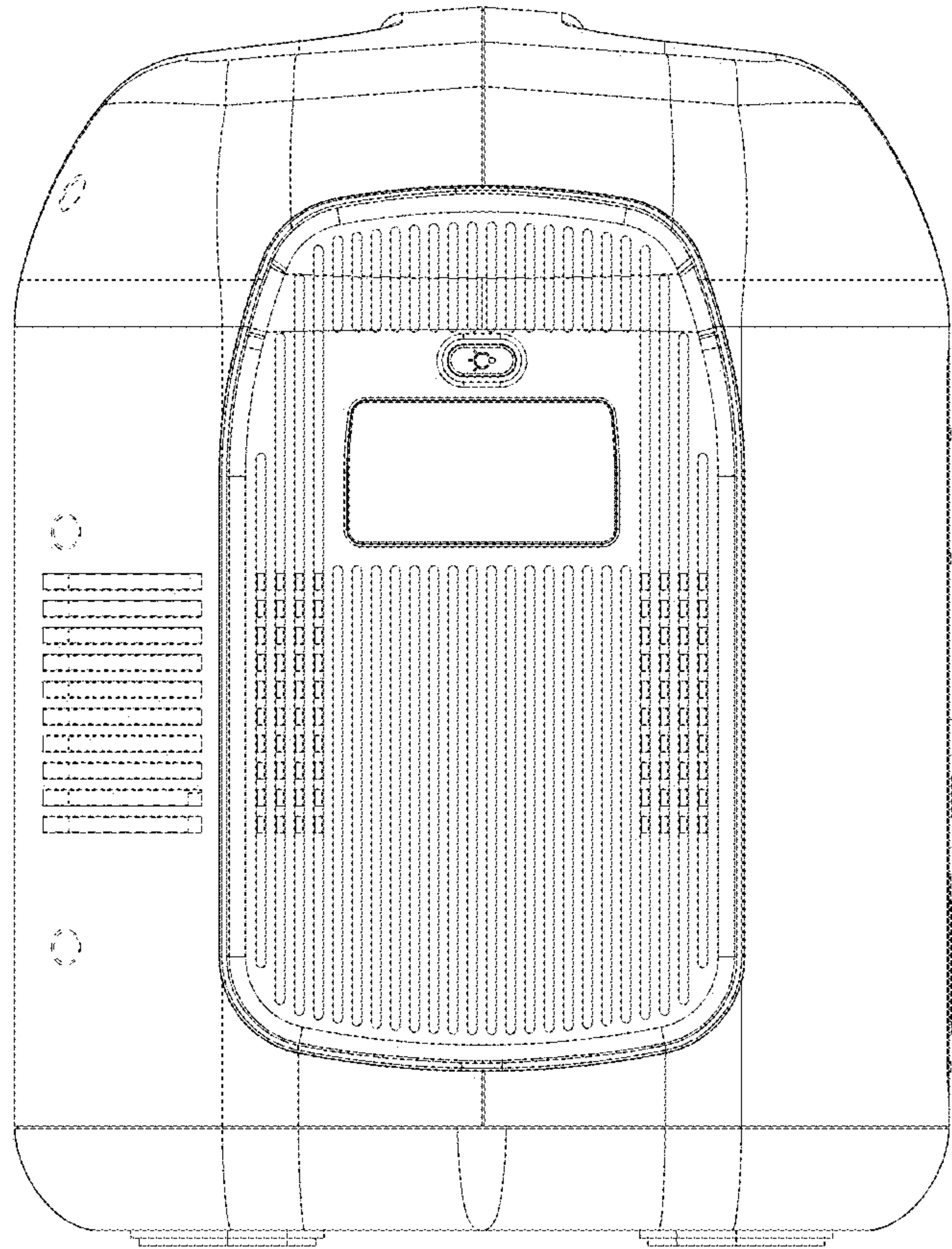


FIG.4

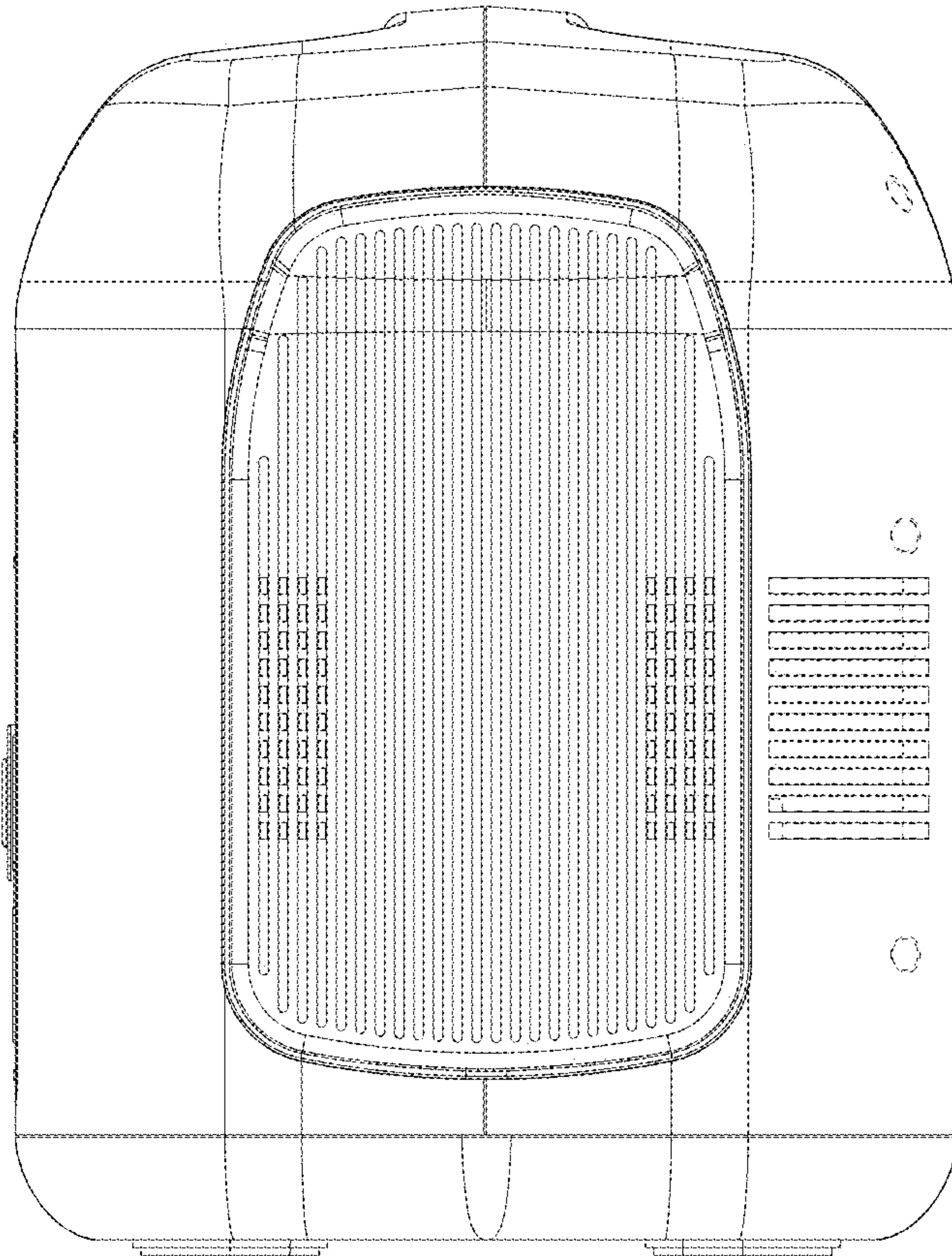


FIG.5

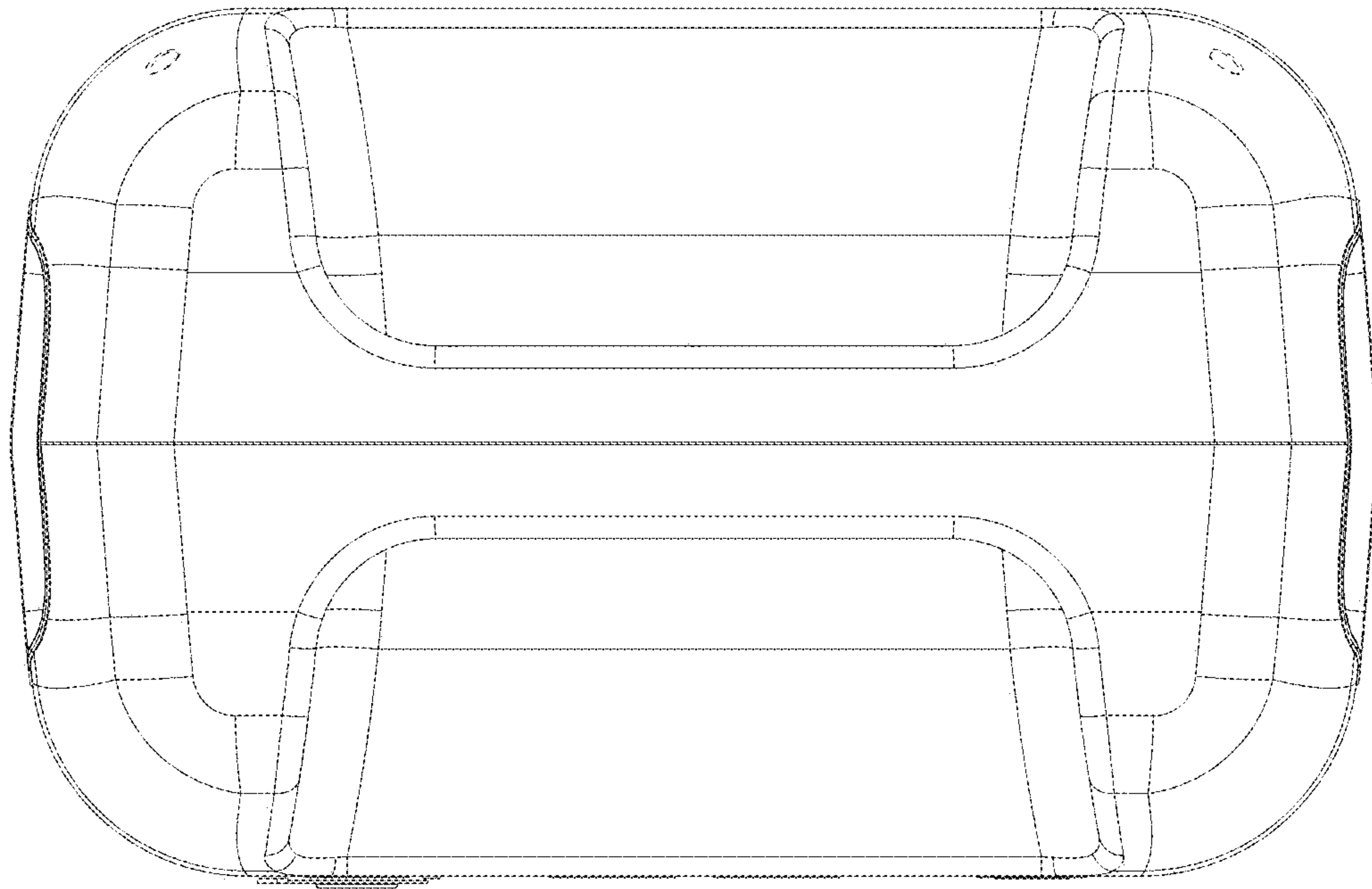


FIG.6

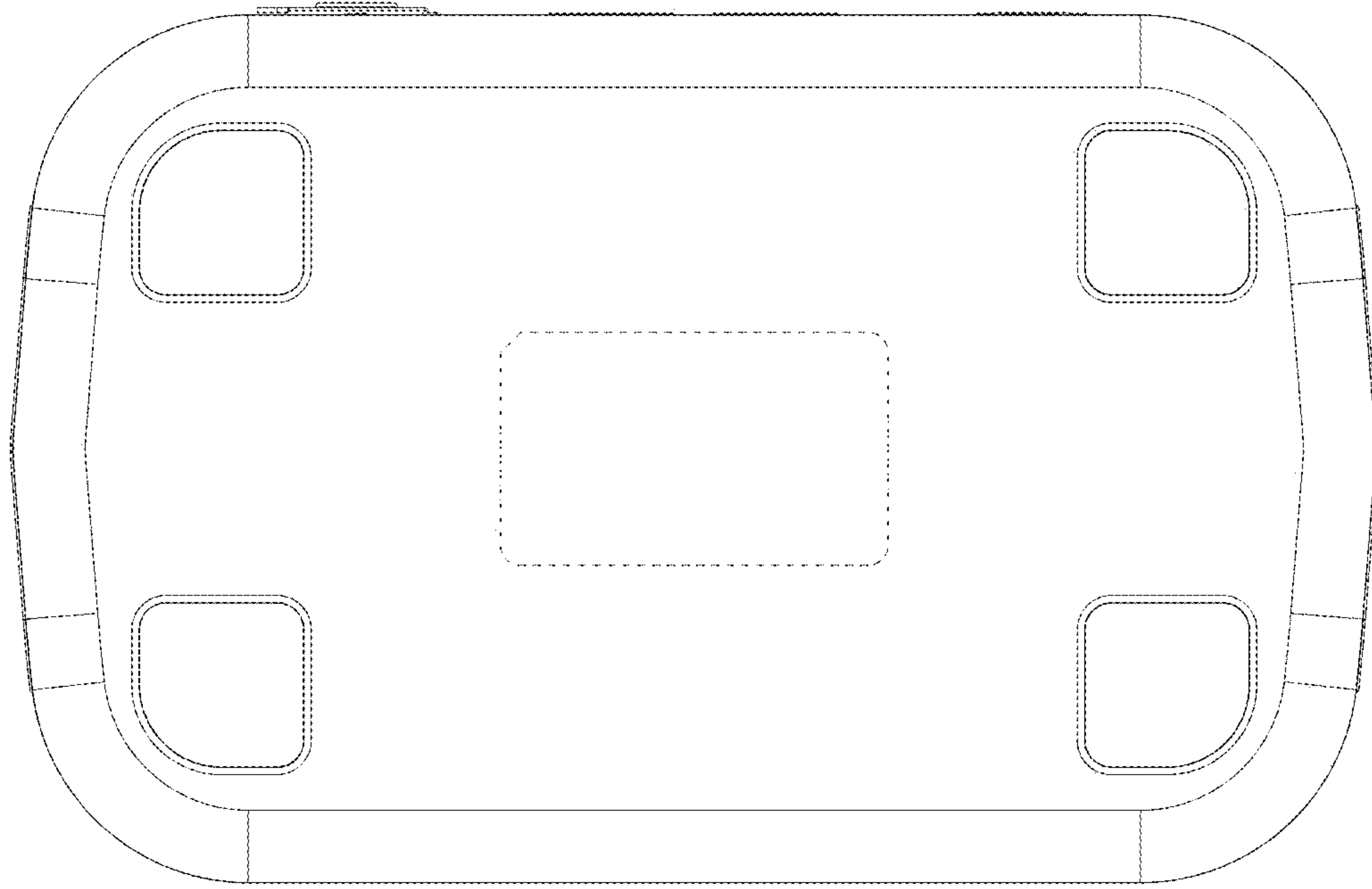


FIG. 7



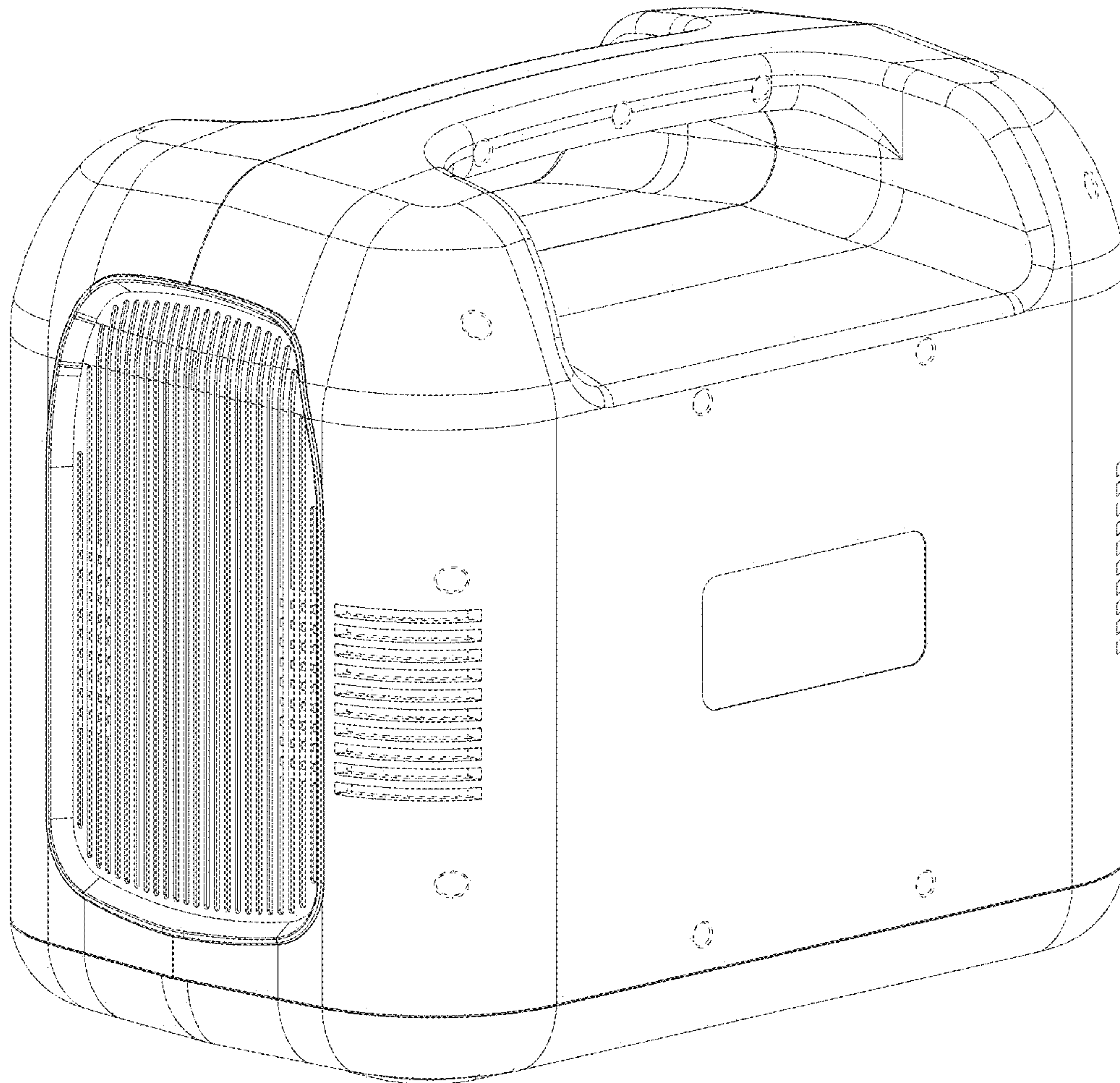


FIG. 8