



US00D972497S

(12) **United States Design Patent** (10) **Patent No.:** **US D972,497 S**  
**Kawase et al.** (45) **Date of Patent:** **\*\* Dec. 13, 2022**

(54) **BATTERY**  
(71) Applicant: **MAKITA CORPORATION**, Anjo (JP)  
(72) Inventors: **Tomonori Kawase**, Anjo (JP); **Tatsuya Nagahama**, Anjo (JP); **Kazuya Tanaka**, Anjo (JP)  
(73) Assignee: **MAKITA CORPORATION**, Anjo (JP)  
(\*\*) Term: **15 Years**

D951,860 S \* 5/2022 Forsberg ..... D13/103  
D951,862 S \* 5/2022 Xia ..... D13/103  
D952,552 S \* 5/2022 Forsberg ..... D13/103  
D952,554 S \* 5/2022 Xu ..... D13/103

(Continued)

**FOREIGN PATENT DOCUMENTS**

JP D1657624 S 4/2020

**OTHER PUBLICATIONS**

Rechargeable Batteries. (Design—© Questel) orbit.com. [Online PDF compilation of references] 56 pgs. Print Dates Range Mar. 23, 2021-Oct. 17, 2017 [Retrieved Jun. 10, 2022].\*

(Continued)

(21) Appl. No.: **29/775,877**  
(22) Filed: **Mar. 25, 2021**  
(30) **Foreign Application Priority Data**  
Sep. 28, 2020 (JP) ..... 2020-020522 D  
(51) **LOC (13) Cl.** ..... **13-02**  
(52) **U.S. Cl.**  
USPC ..... **D13/103**  
(58) **Field of Classification Search**  
USPC ..... D13/102, 103, 104, 105, 106, 110, 118,  
D13/119, 184, 199  
CPC .. H01M 10/05; H01M 10/052; H01M 10/054;  
H01M 10/425; H01M 10/48; H01M  
10/486; H01M 50/249; H01M 2220/30;  
H01M 2250/30  
See application file for complete search history.

*Primary Examiner* — George D. Kirschbaum  
*Assistant Examiner* — Suzanne E Tisdell  
(74) *Attorney, Agent, or Firm* — Global IP Counselors,  
LLP

(57) **CLAIM**

The ornamental design for a battery, as shown and described.

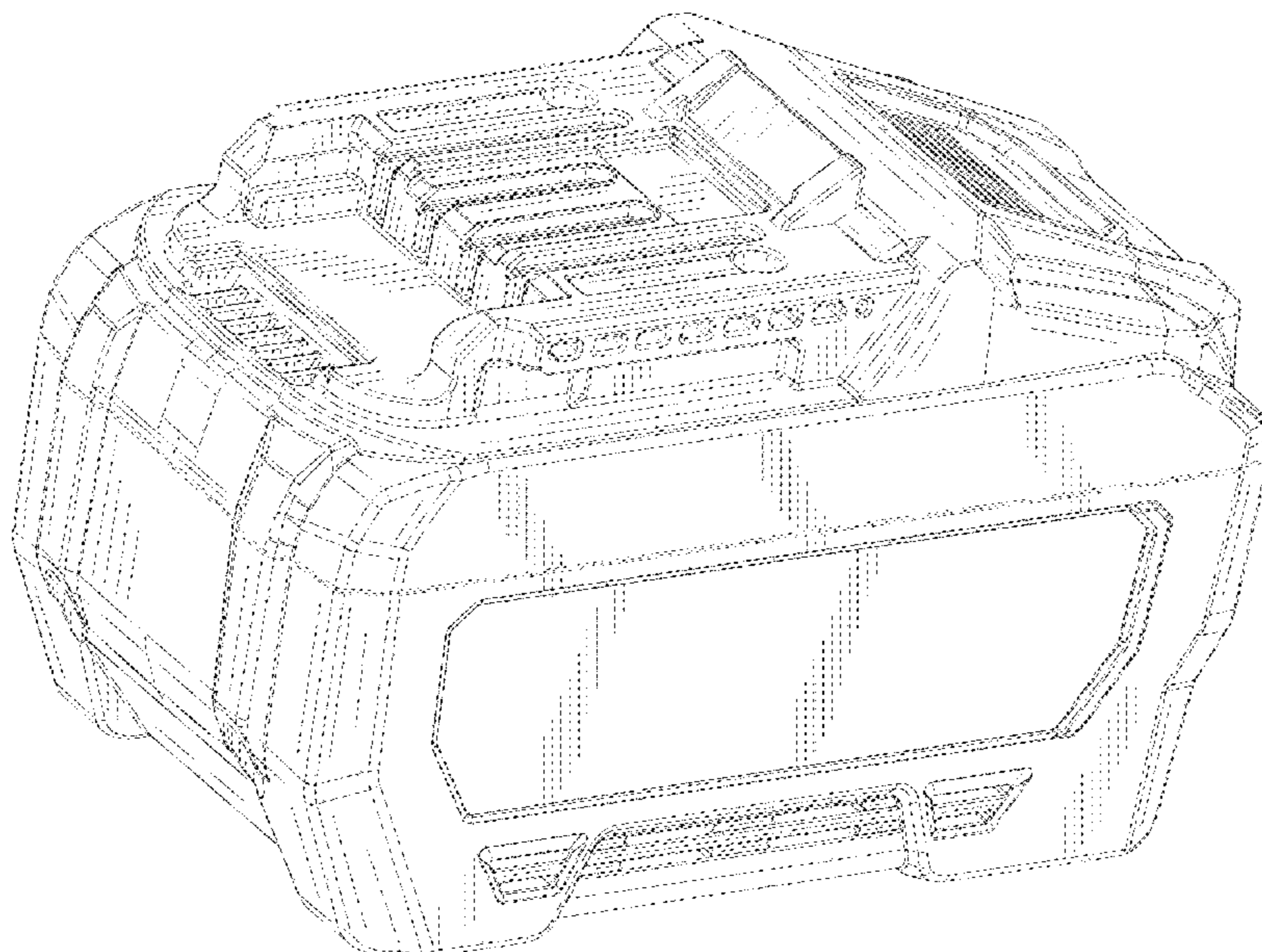
**DESCRIPTION**

FIG. 1 is a top, front and left side perspective view of a battery showing our new design;  
FIG. 2 is a top, rear and right side perspective view thereof;  
FIG. 3 is a bottom, rear and right side perspective view thereof;  
FIG. 4 is a front elevational view thereof;  
FIG. 5 is a rear elevational view thereof;  
FIG. 6 is a top plan view thereof;  
FIG. 7 is a bottom plan view thereof;  
FIG. 8 is a left side elevational view thereof; and,  
FIG. 9 is a right side elevational view thereof.  
The broken lines in the drawings illustrate portions of the battery which form no part of the claimed design.

(56) **References Cited**  
**U.S. PATENT DOCUMENTS**

D510,722 S \* 10/2005 Kosiba ..... D13/103  
D639,730 S \* 6/2011 Kawase ..... D13/103  
D938,903 S \* 12/2021 Miyake ..... D13/103  
D941,752 S \* 1/2022 Luo ..... D13/103  
D945,959 S \* 3/2022 Okuda ..... D13/103  
D946,504 S \* 3/2022 Qiu ..... D13/103  
D950,483 S \* 5/2022 Yrad, Jr. .... D13/103

**1 Claim, 9 Drawing Sheets**



(56)

**References Cited**

U.S. PATENT DOCUMENTS

D953,253 S \* 5/2022 Cestonaro ..... D13/103  
D953,258 S \* 5/2022 Ye ..... D13/103

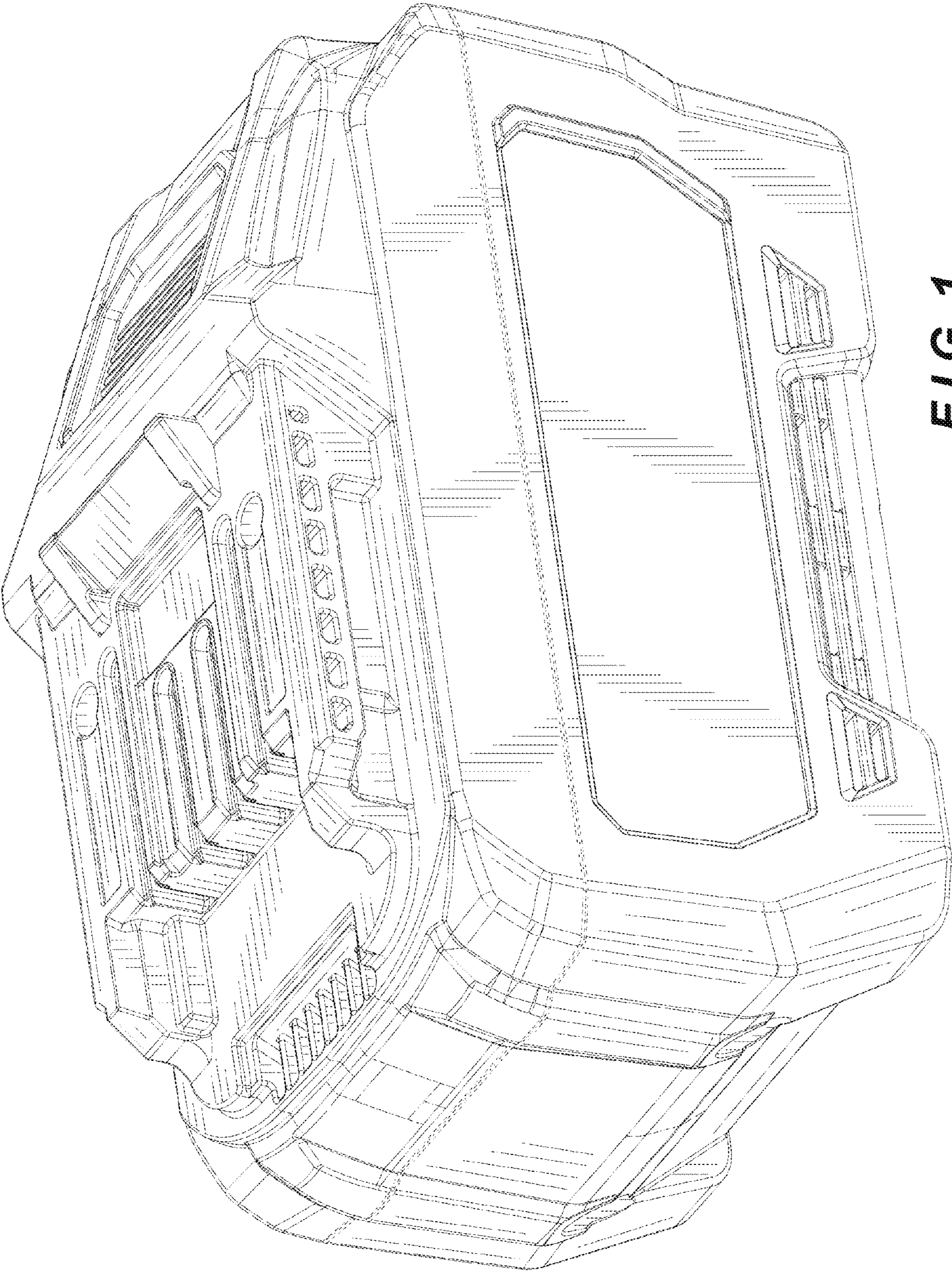
OTHER PUBLICATIONS

Makita BL1041B2 12V maxCXT. Dec. 22, 2016. Amazon. <https://www.amazon.com/Makita-BL1041B-2-Lithium-Ion-Battery-Pack/dp/B01N2WYQJN>.\*

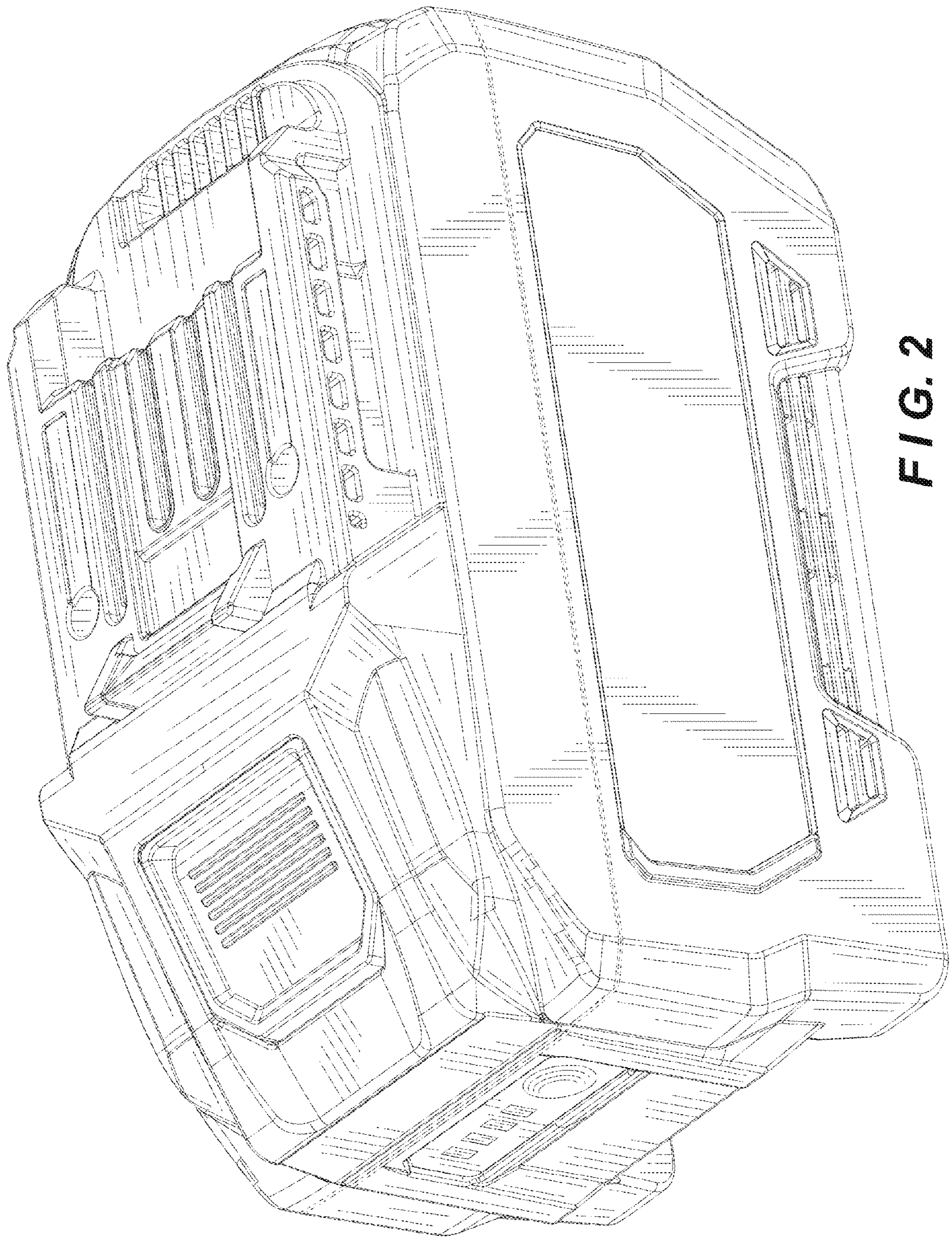
Makita BDF452HW 18 Volt Compact Lithium Ion Cordless. Oct. 2, 2003. Amazon, <https://www.amazon.com/Makita-BDF452HW-Driver-Drill-Discontinued-Manufacturer/dp/B000K6ILDW>.\*

Waitley BL1830 18V 9Ah Replacement Battery. Mar. 28, 2017. Amazon. <https://www.amazon.com/Waitley-Replacement-Battery-9000mah-Display/dp/B07B4WFT86>.\*

\* cited by examiner



**FIG. 1**



**FIG. 2**

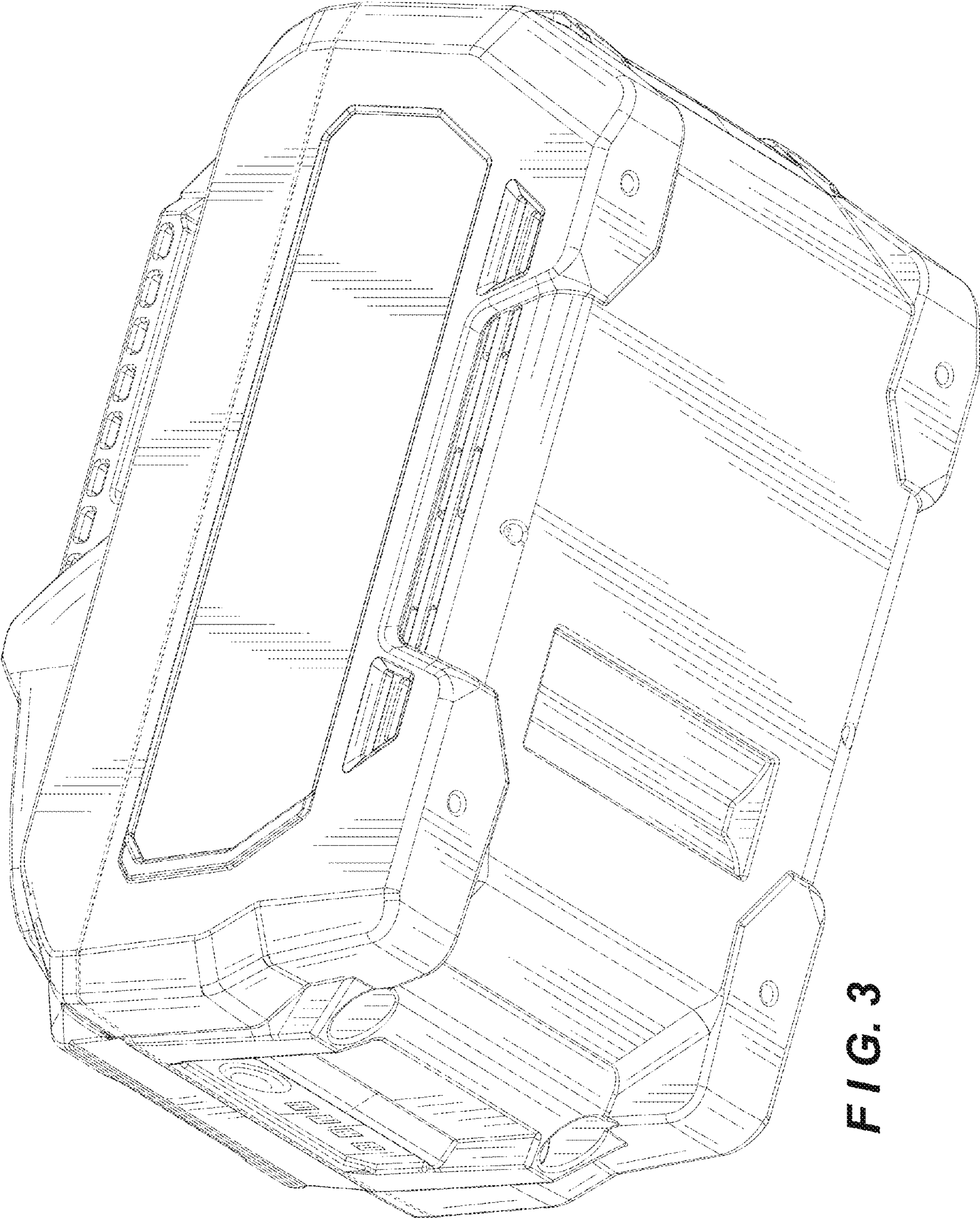
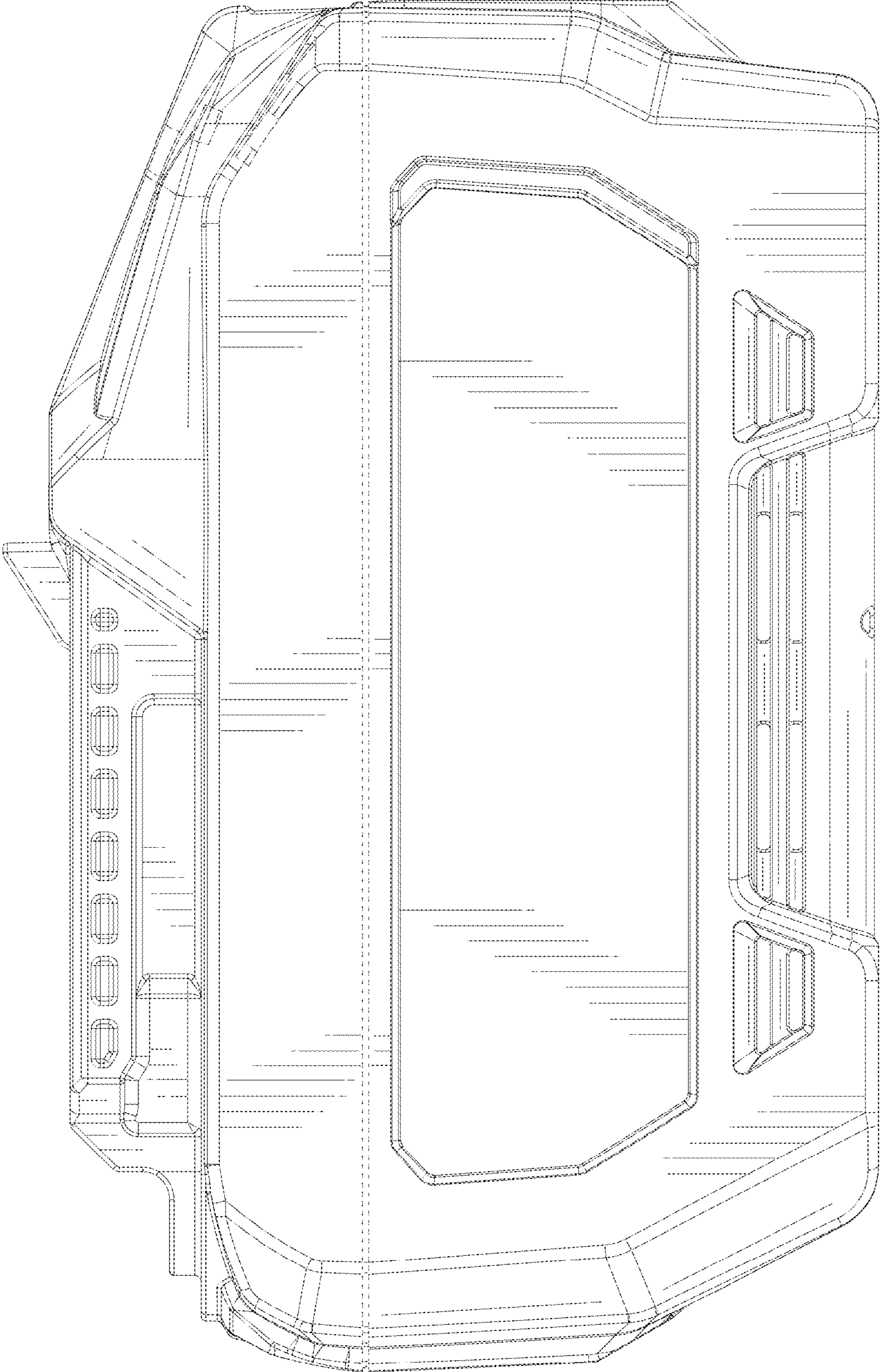
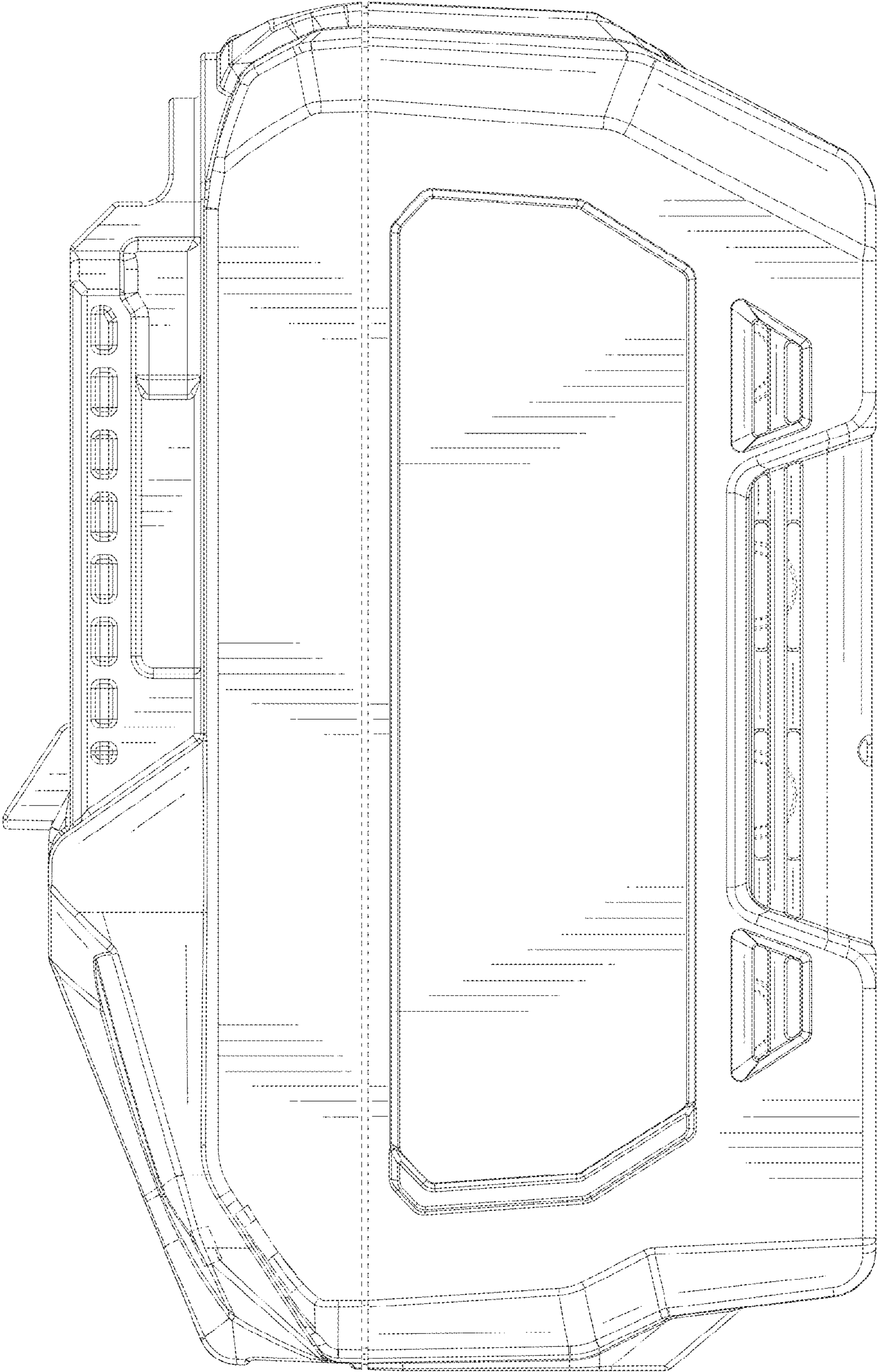


FIG. 3



**FIG. 4**



**FIG. 5**

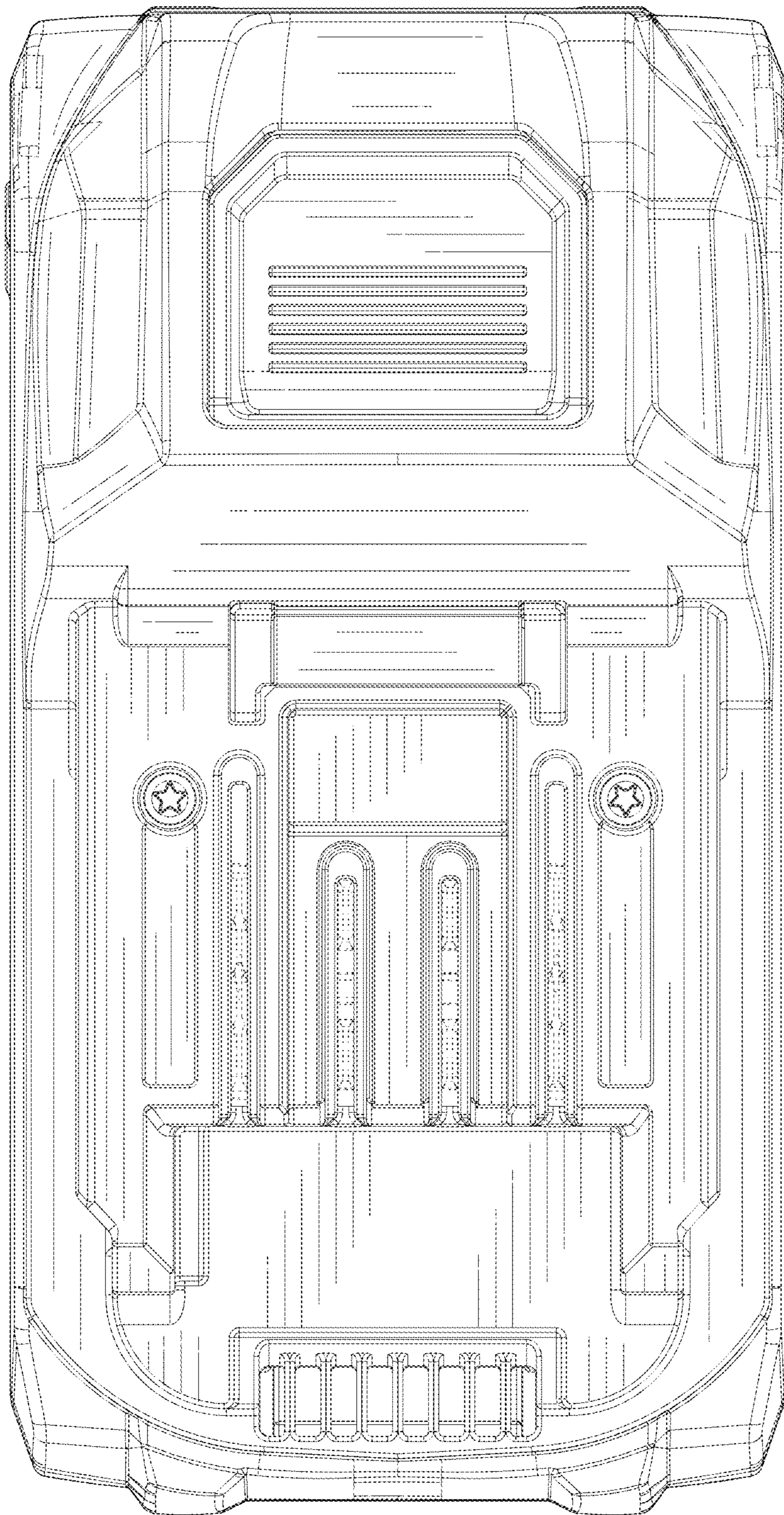
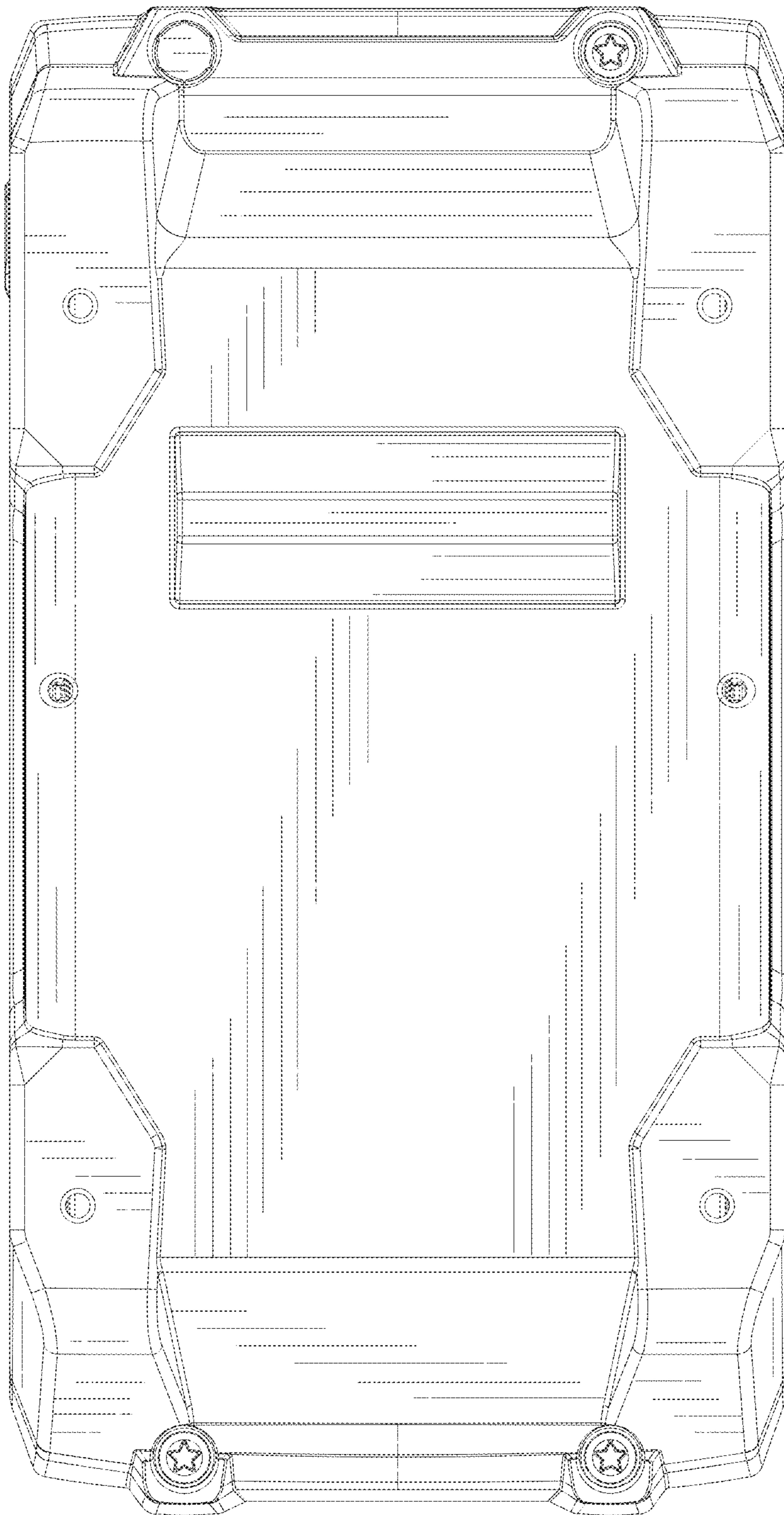
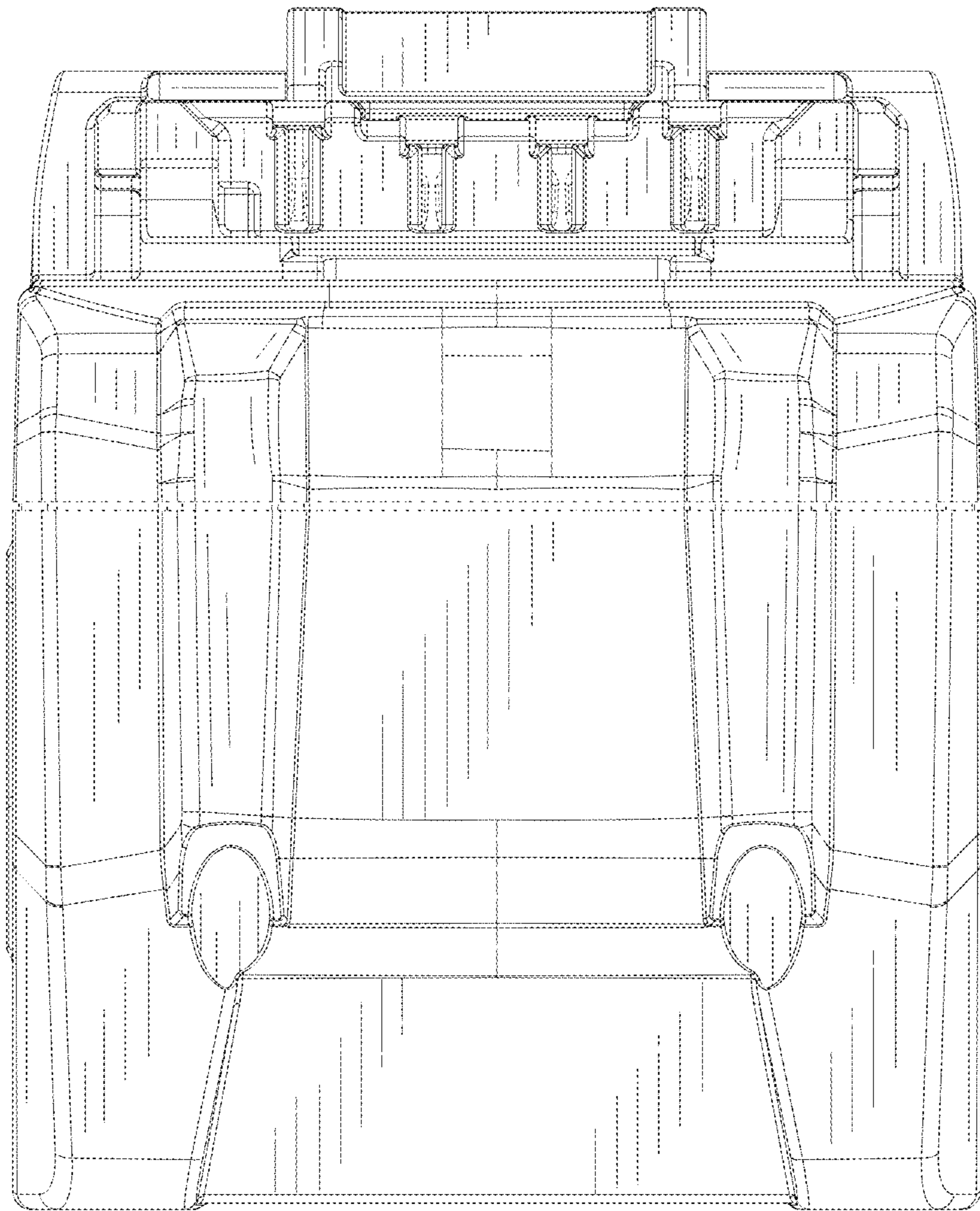


FIG. 6

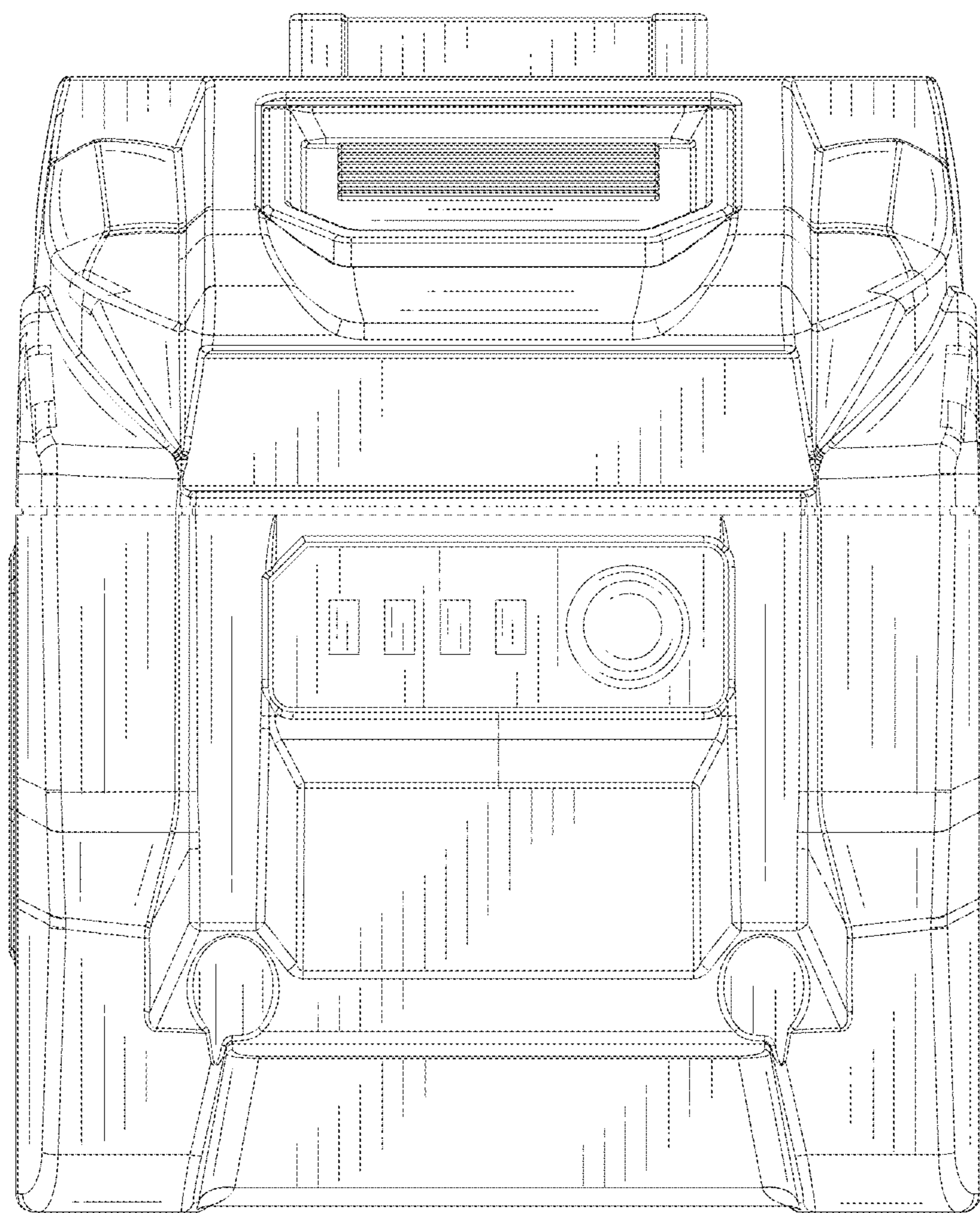




**FIG. 7**



**FIG. 8**



**FIG. 9**