



US00D972494S

(12) **United States Design Patent** (10) **Patent No.:** **US D972,494 S**  
**Cao** (45) **Date of Patent:** **\*\* Dec. 13, 2022**

(54) **BATTERY CASE**

- (71) Applicant: **NINGBO HUACAI ELECTRONIC TECHNOLOGY CO., LTD**, Ningbo (CN)
- (72) Inventor: **Bo Cao**, Jinhua (CN)
- (\*\*) Term: **15 Years**
- (21) Appl. No.: **29/740,477**
- (22) Filed: **Jul. 3, 2020**
- (51) **LOC (13) Cl.** ..... **13-02**
- (52) **U.S. Cl.**  
USPC ..... **D13/103**
- (58) **Field of Classification Search**  
USPC ..... D13/103–110, 118–119; D3/294, 274, D3/905, 273; D26/25  
CPC ..... H02J 7/0042; H02J 7/0045; H02J 7/0054; H02J 7/0044; H02J 2007/0062  
See application file for complete search history.

(56) **References Cited**

**U.S. PATENT DOCUMENTS**

D853,320	S	*	7/2019	Guo	.....	D13/103
D861,605	S	*	10/2019	Yang	.....	D13/119
D861,606	S	*	10/2019	Yang	.....	D13/119
D872,022	S	*	1/2020	Yang	.....	D13/119
D881,812	S	*	4/2020	Yang	.....	D13/103
D882,511	S	*	4/2020	Heroux	.....	D13/103
D883,196	S	*	5/2020	Chen	.....	D13/103
D886,738	S	*	6/2020	Huang	.....	D13/119
D896,179	S	*	9/2020	Yang	.....	D13/103
D904,760	S	*	12/2020	Hyun	.....	D3/273
D909,962	S	*	2/2021	Kim	.....	D13/102
D913,232	S	*	3/2021	Koval	.....	D13/119
D931,213	S	*	9/2021	Heroux	.....	D13/119

**OTHER PUBLICATIONS**

Battery Cases. (Design-© Questel) orbit.com. [Online PDF compilation of references] 74 pgs. Print Dates Range Jan. 17, 2022-Jul. 7, 2021 [Retrieved Apr. 12, 2022].\*

Adafruit Waterproof Battery Holder. May 3, 2017. Amazon. <https://www.amazon.com/Adafruit-Waterproof-Battery-Holder-Switch/dp/B071H8R6R1>.\*

Kayak Battery Box Waterproof. May 16, 2016. Amazon. <https://www.amazon.com/Elephant-Battery-Waterproof-Enclosure-Powering/dp/B07S2GXL6J?th=1>.\*

Boat Waterproof Battery Case. May 16, 2016. Amazon. <https://www.amazon.com/Elephant-Enclosure-portable-Waterproof-Powering/dp/B0757T5J28>.\*

\* cited by examiner

*Primary Examiner* — George D. Kirschbaum  
*Assistant Examiner* — Suzanne E Tisdell

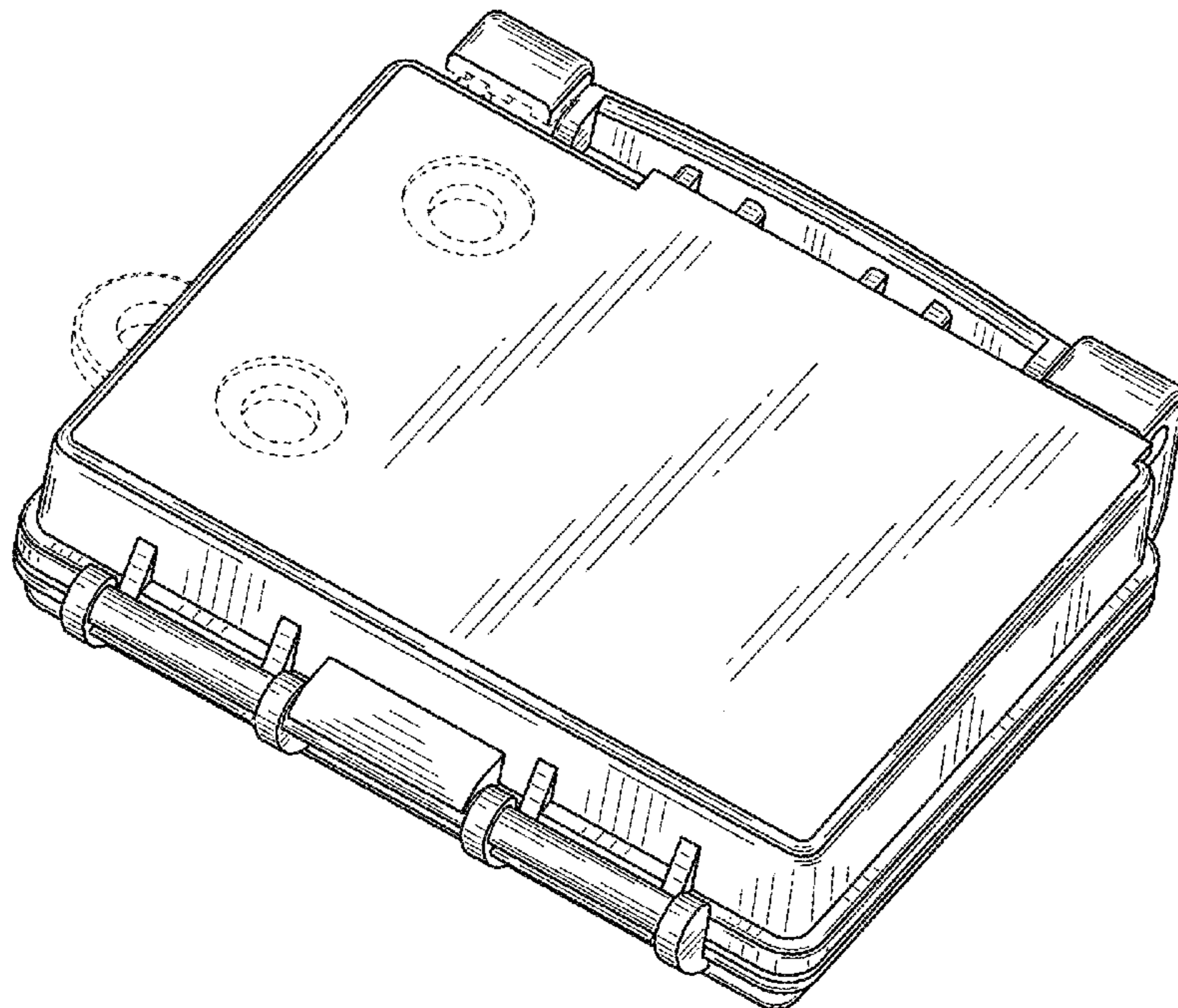
(57) **CLAIM**

The ornamental design for a battery case, as shown and described.

**DESCRIPTION**

FIG. 1 is a perspective view of the first embodiment of a battery case, showing my new design;  
FIG. 2 is another perspective view thereof;  
FIG. 3 is a front elevational view thereof;  
FIG. 4 is a rear elevational view thereof;  
FIG. 5 is a left elevational view thereof;  
FIG. 6 is a right elevational view thereof;  
FIG. 7 is a top plan view thereof; and,  
FIG. 8 is a bottom plan view thereof.  
The evenly broken lines where present illustrate portions of the battery case that form no part of the claimed design.

**1 Claim, 8 Drawing Sheets**



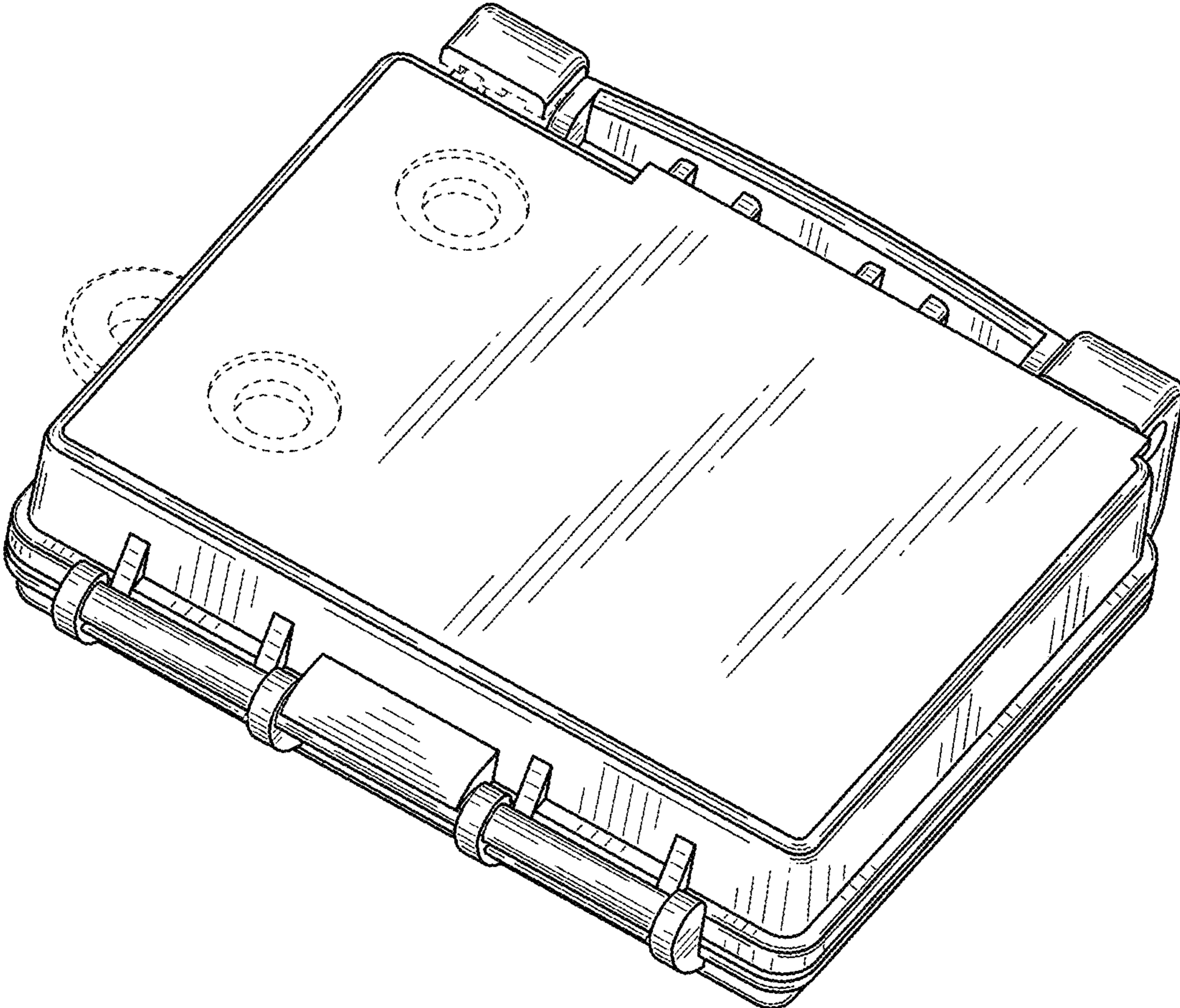


FIG. 1

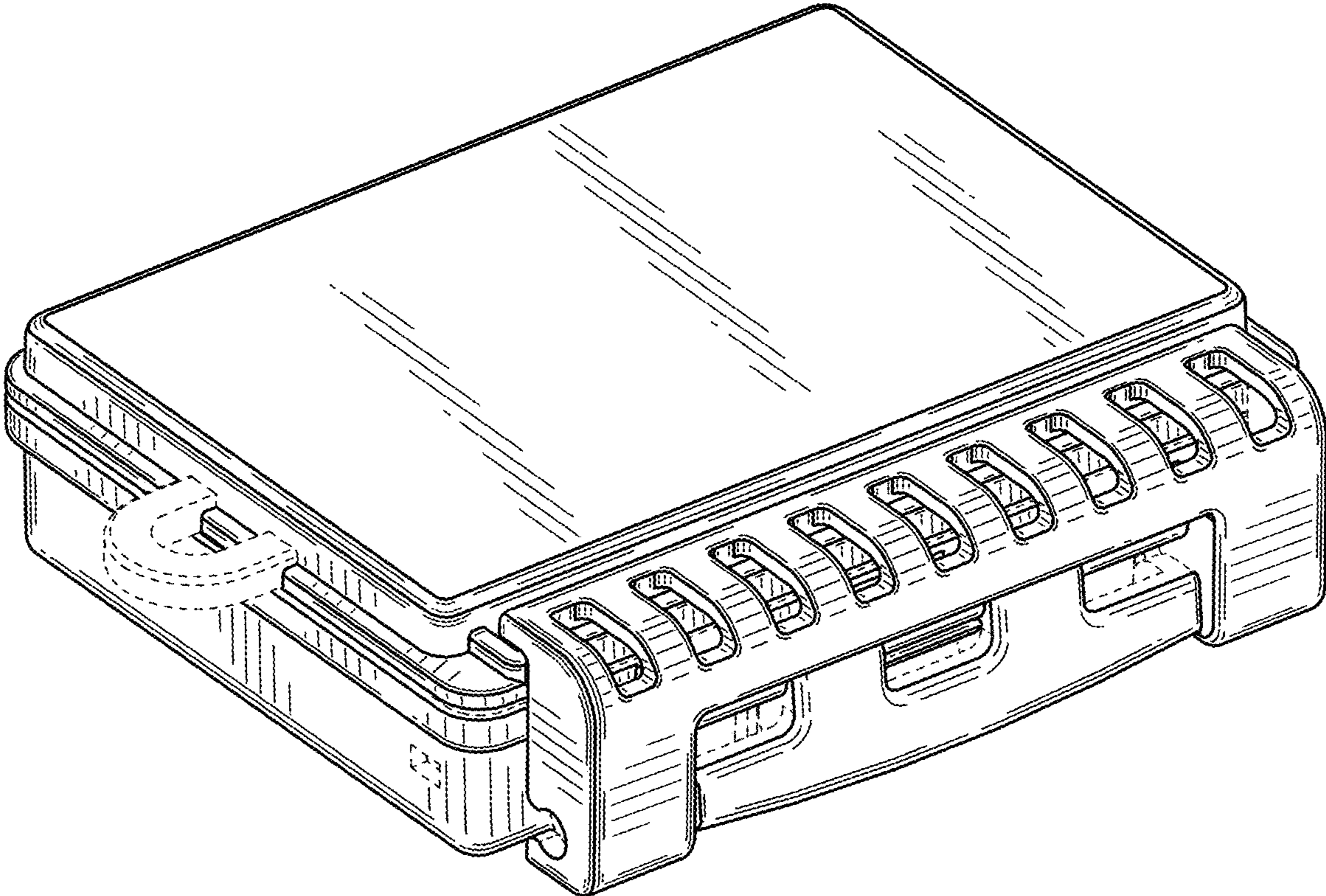


FIG. 2

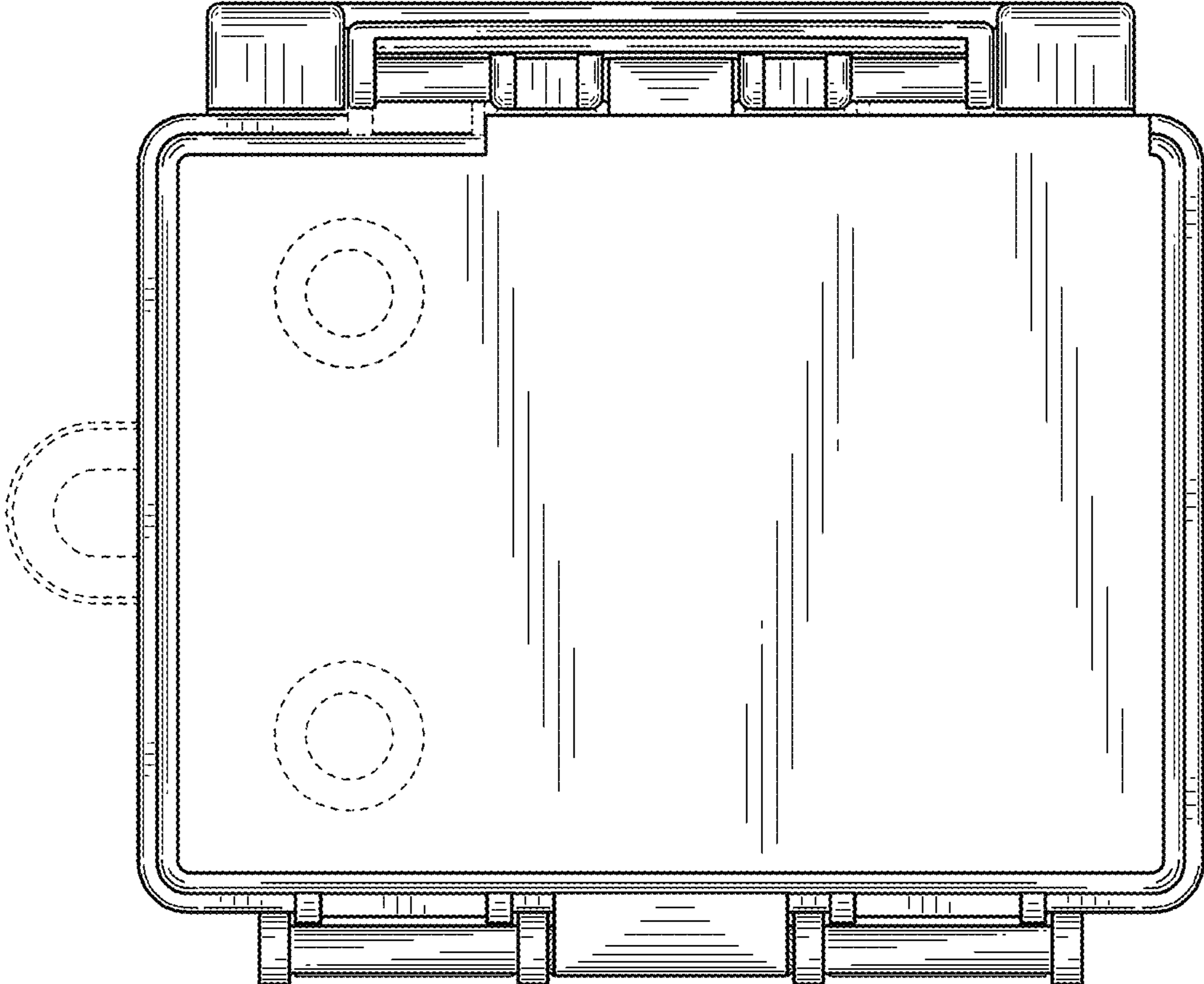


FIG. 3

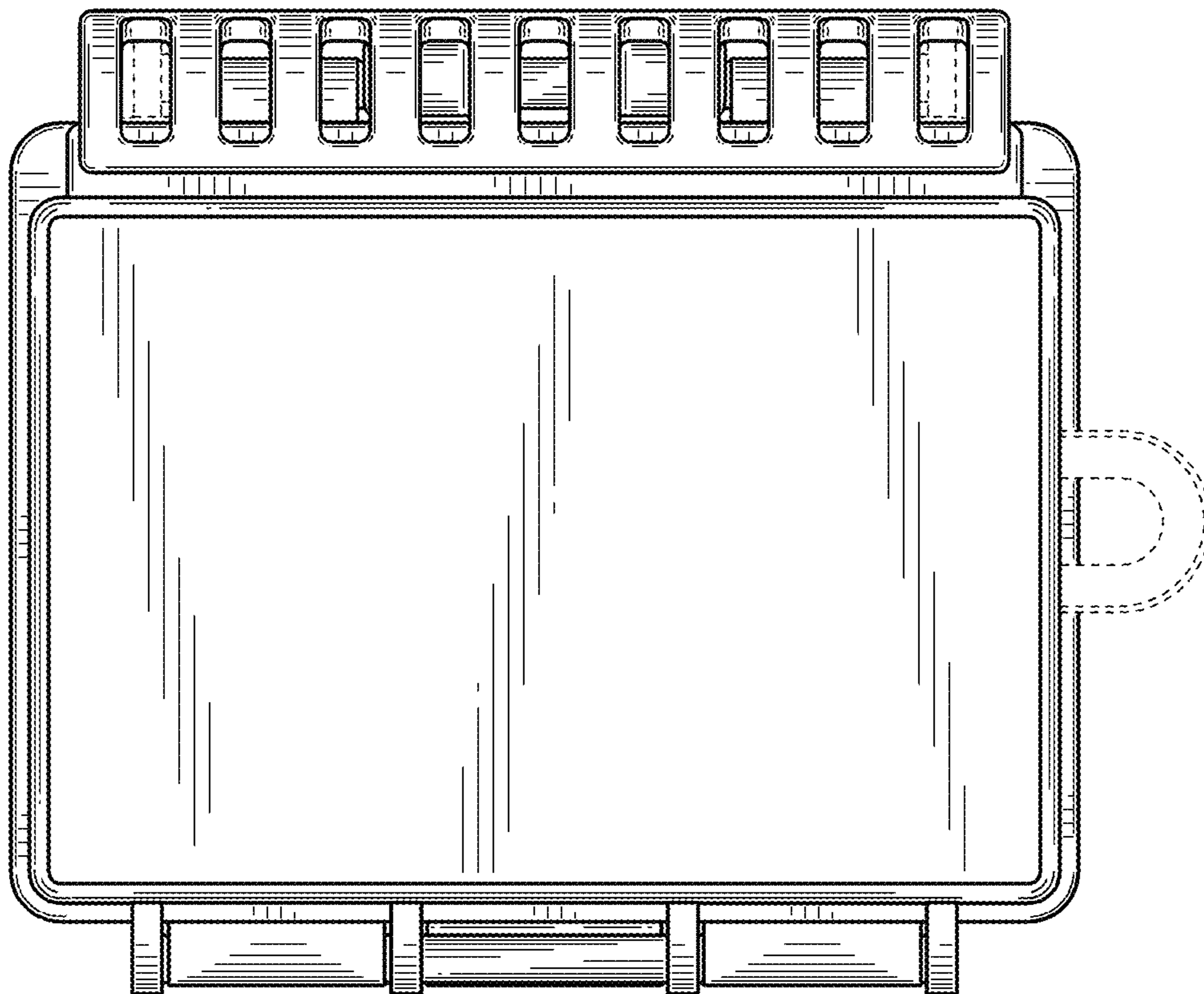


FIG. 4

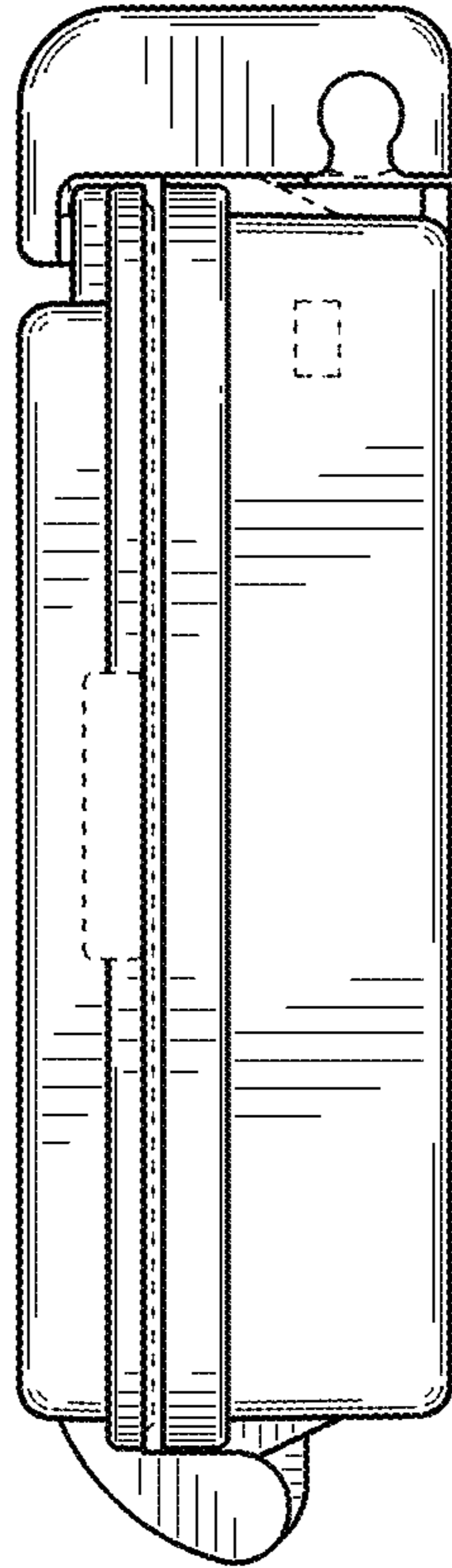


FIG. 5

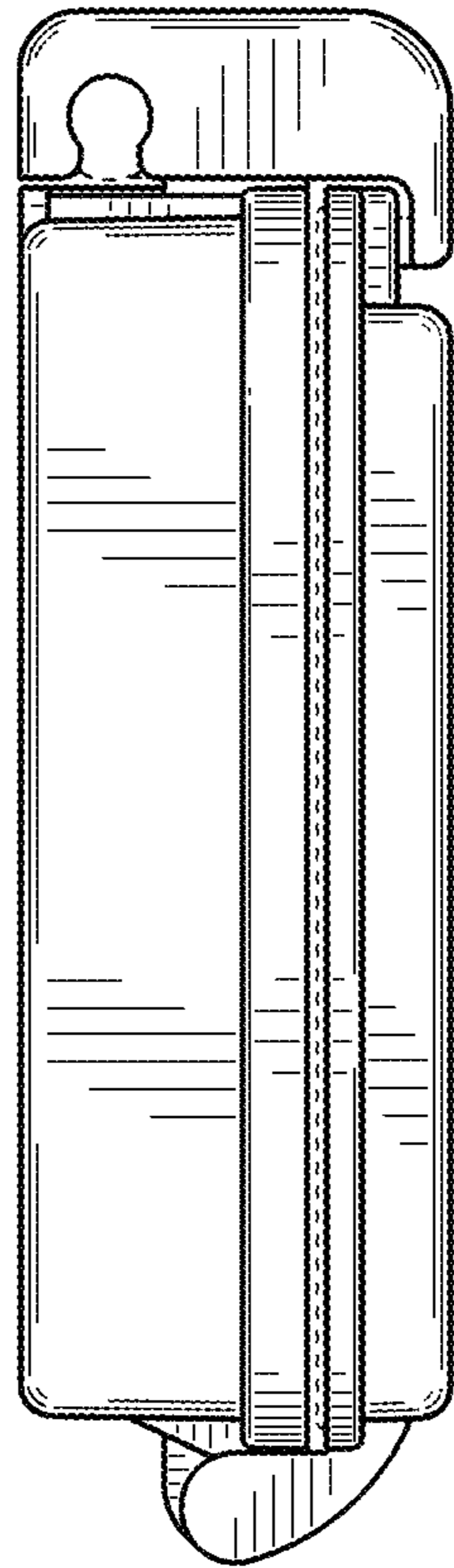


FIG. 6

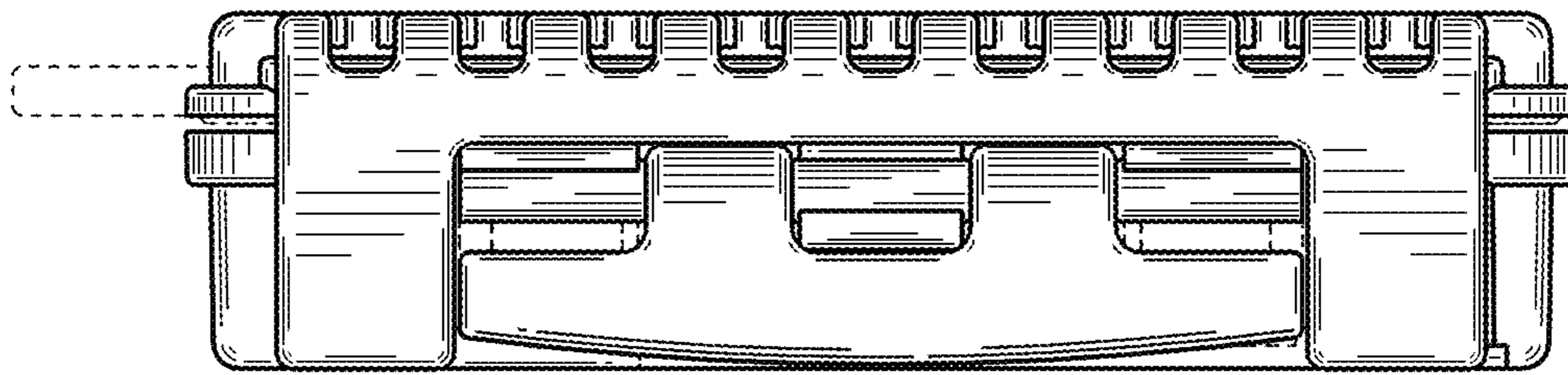


FIG. 7



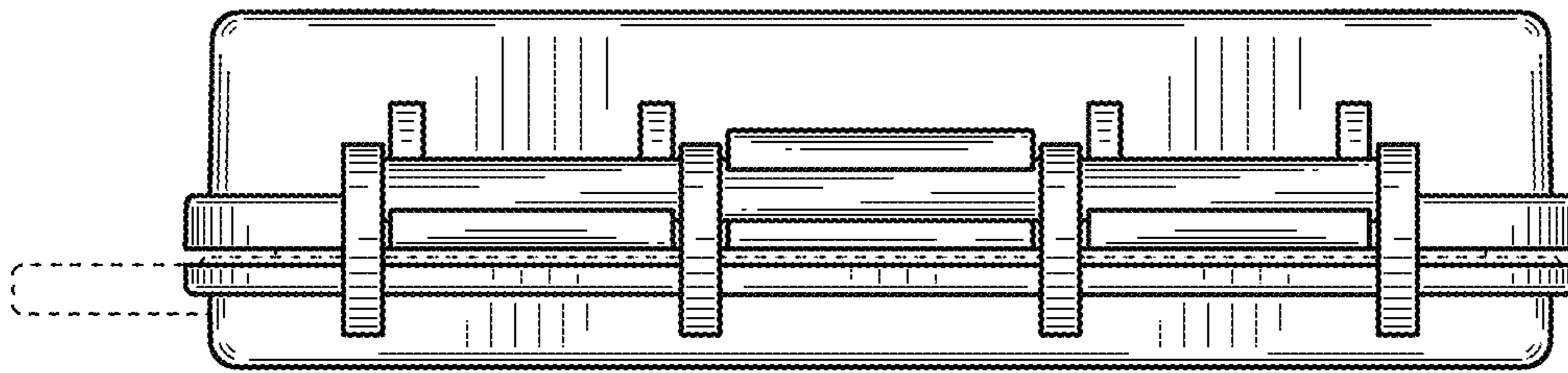


FIG. 8