



US00D972489S

(12) **United States Design Patent** (10) **Patent No.:** **US D972,489 S**
Ye (45) **Date of Patent:** **** Dec. 13, 2022**

(54) **NET BARRIER**
(71) Applicant: **Guoqing Ye**, Guangdong (CN)
(72) Inventor: **Guoqing Ye**, Guangdong (CN)
(**) Term: **15 Years**
(21) Appl. No.: **29/820,821**
(22) Filed: **Dec. 23, 2021**
(30) **Foreign Application Priority Data**

Primary Examiner — Katrina A Betton
(74) *Attorney, Agent, or Firm* — ScienBiziP, P.C.

(57) **CLAIM**

The ornamental design for a net barrier, as shown and described.

Dec. 15, 2021 (CN) 202130829657.X
(51) **LOC (13) Cl.** **12-16**
(52) **U.S. Cl.**
USPC **D12/426**
(58) **Field of Classification Search**
USPC D12/426, 400, 406, 415-420, 424, 425
CPC B60R 16/04; B63B 17/00; B63B 7/085;
B63B 25/00
See application file for complete search history.

DESCRIPTION

FIG. 1 is a front, right and top perspective view of a net barrier, showing my design.
FIG. 2 is a rear, left and bottom perspective view thereof.
FIG. 3 is a rear, left and top perspective view thereof.
FIG. 4 is a front elevation view thereof.
FIG. 5 is a rear elevation view thereof.
FIG. 6 is a left side elevation view thereof.
FIG. 7 is a right side elevation view thereof.
FIG. 8 is a top plan view thereof.
FIG. 9 is a bottom plan view thereof.
FIG. 10 is a partial enlarged view of an area labeled 10 in FIG. 1 comprising a front side of a hook.
FIG. 11 is a partial enlarged view of an area labeled 11 in FIG. 2 comprising a rear side of a hook; and,
FIG. 12 is a partial enlarged view of an area labeled 12 in FIG. 3 comprising a buckle.
The broken lines shown in the drawings are included for the purpose of illustrating portions of the net barrier that form no part of the claimed design. In addition, the dot-dash broken lines in the drawings illustrate an enlarged portion of the design.

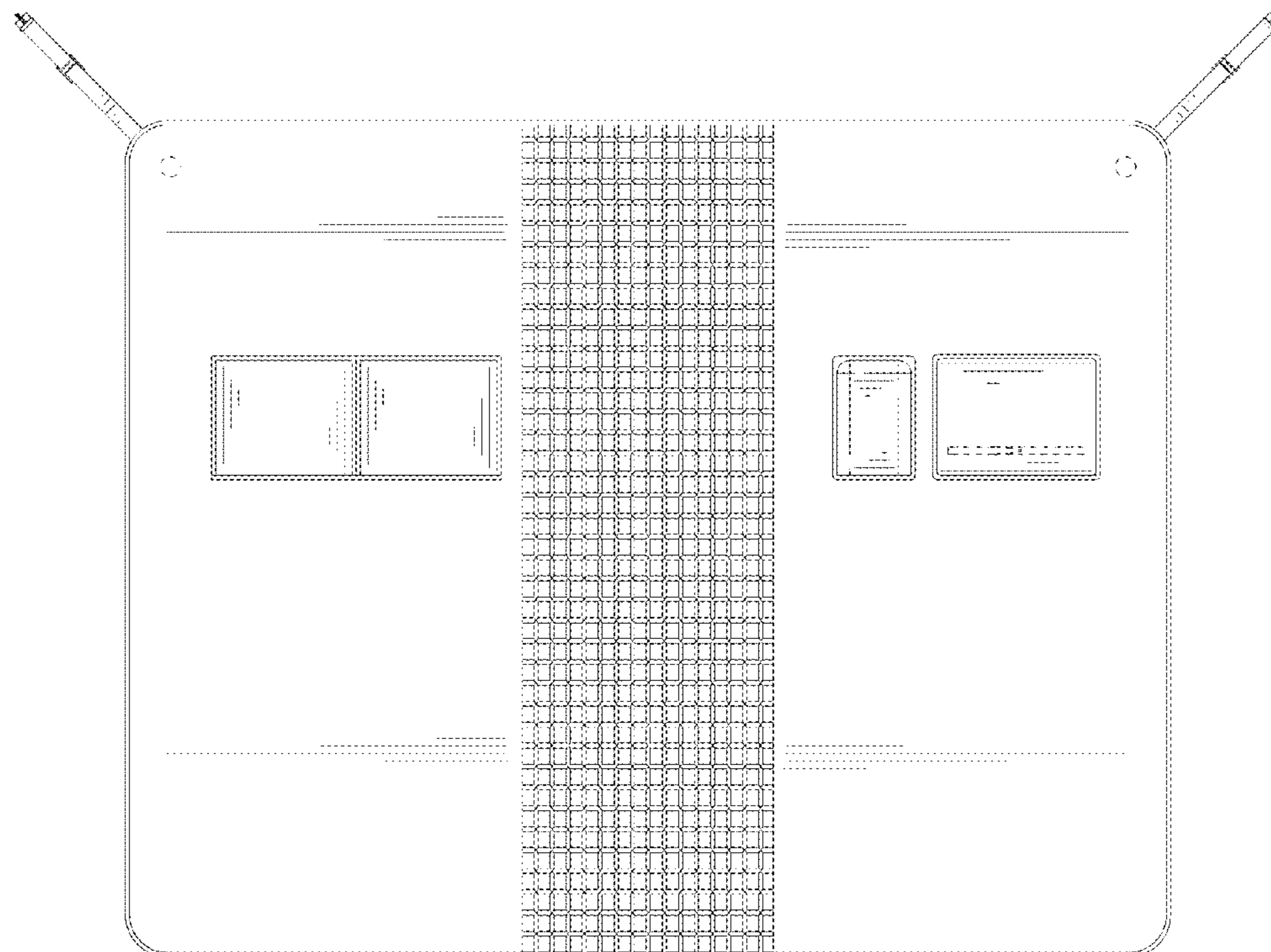
(56) **References Cited**

U.S. PATENT DOCUMENTS

D392,938 S *	3/1998	Sylvester	D12/426
D393,622 S *	4/1998	Goertzen	D12/426
D566,649 S *	4/2008	Panasewicz	D12/426
D567,742 S *	4/2008	Spater	D12/426
D722,942 S	2/2015	Renforth et al.		
D729,723 S *	5/2015	Reed	D12/426
D796,422 S *	9/2017	Hodges	D12/426
D915,998 S	4/2021	Guo		
D944,718 S *	3/2022	Lee	D12/426
D955,972 S *	6/2022	Harris	D12/426
D959,357 S *	8/2022	Liang	D12/426

* cited by examiner

1 Claim, 12 Drawing Sheets



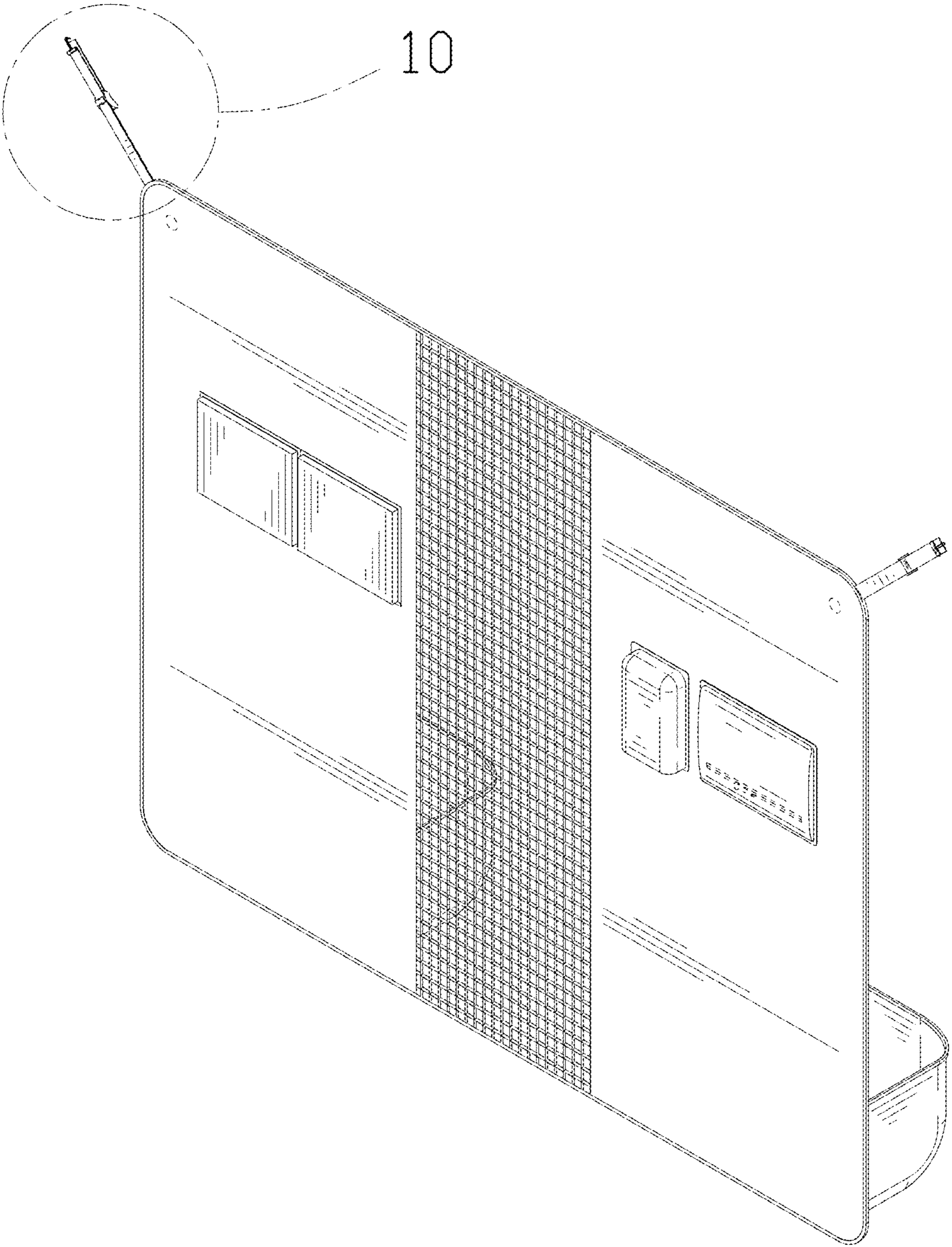


FIG. 1

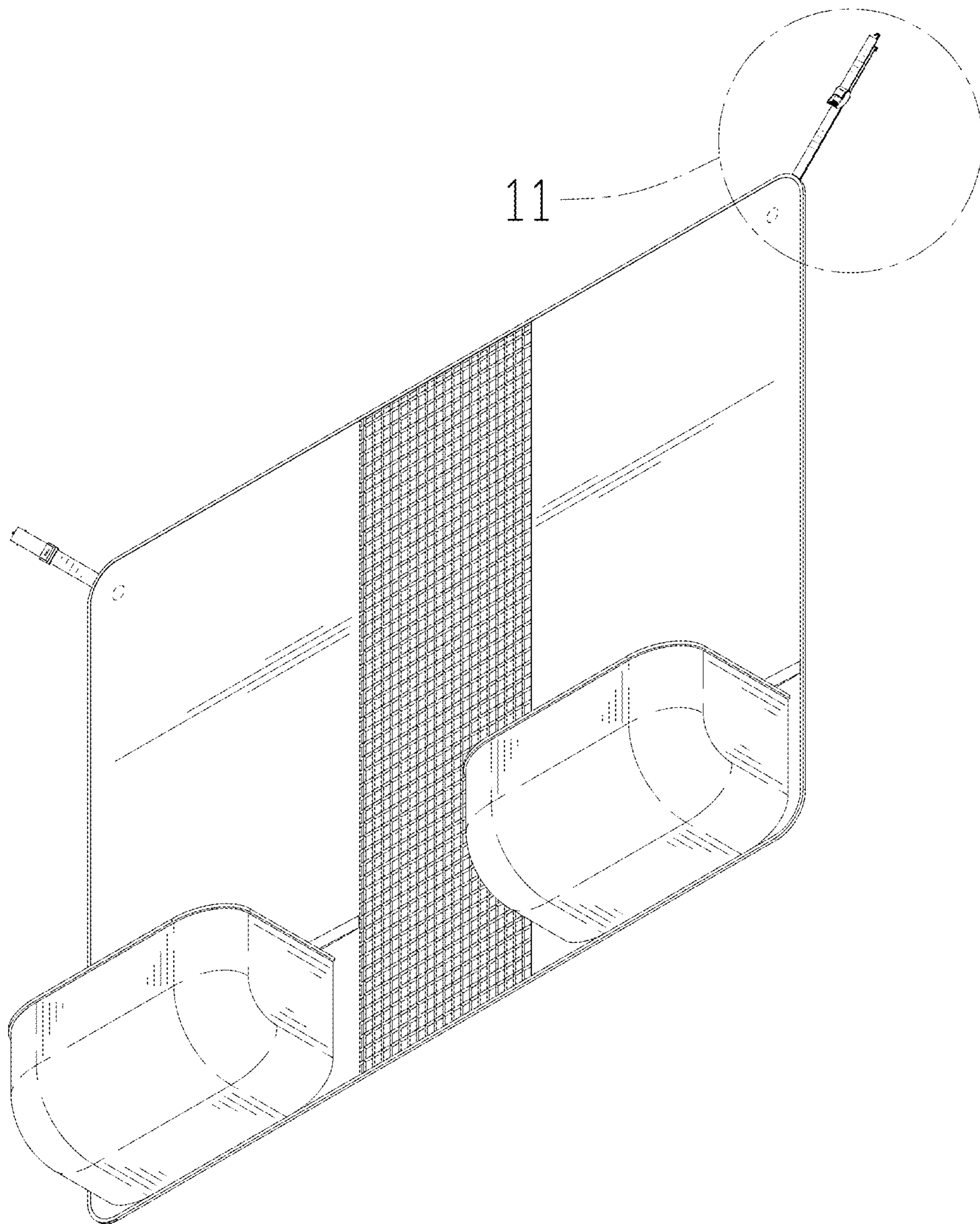


FIG. 2

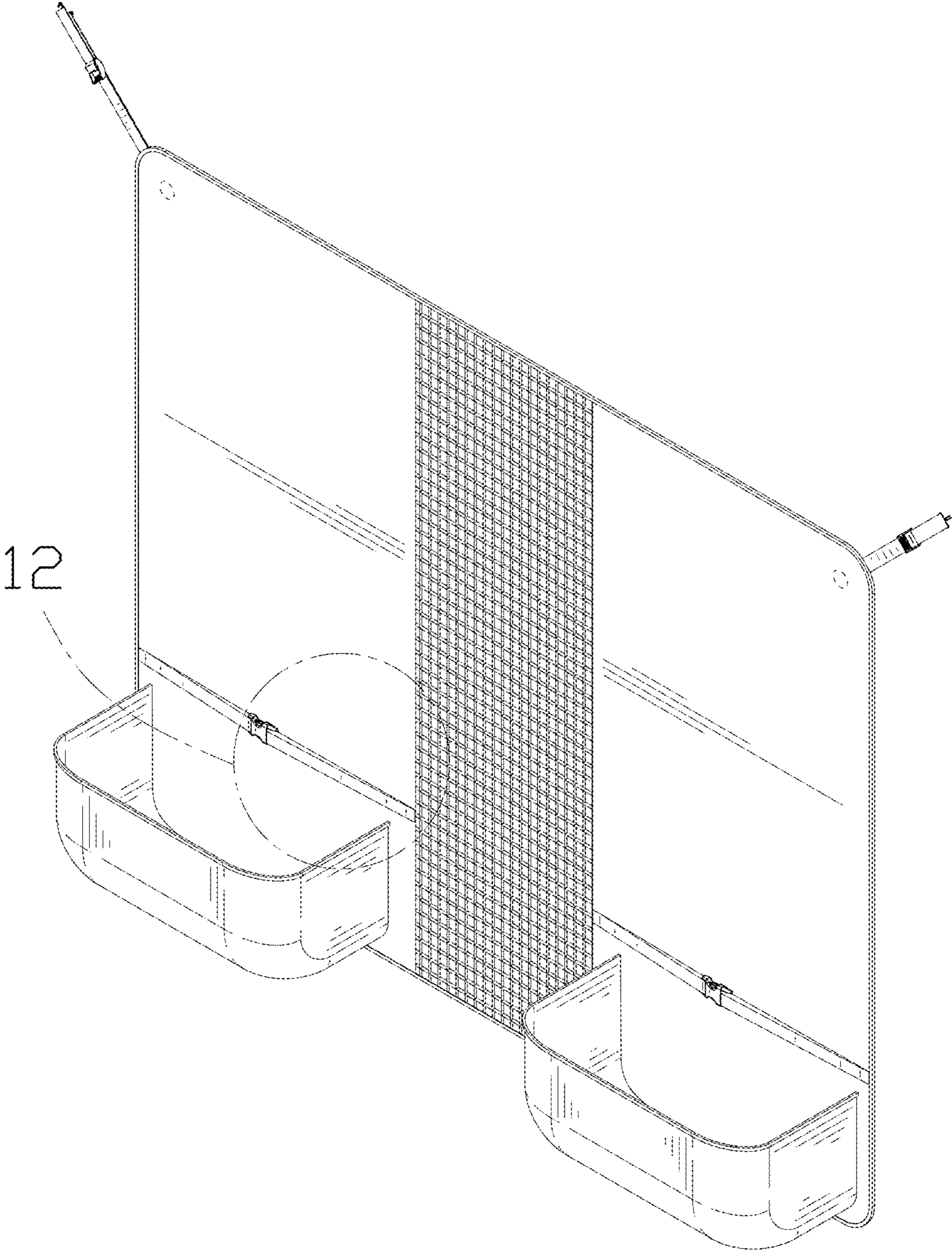


FIG. 3

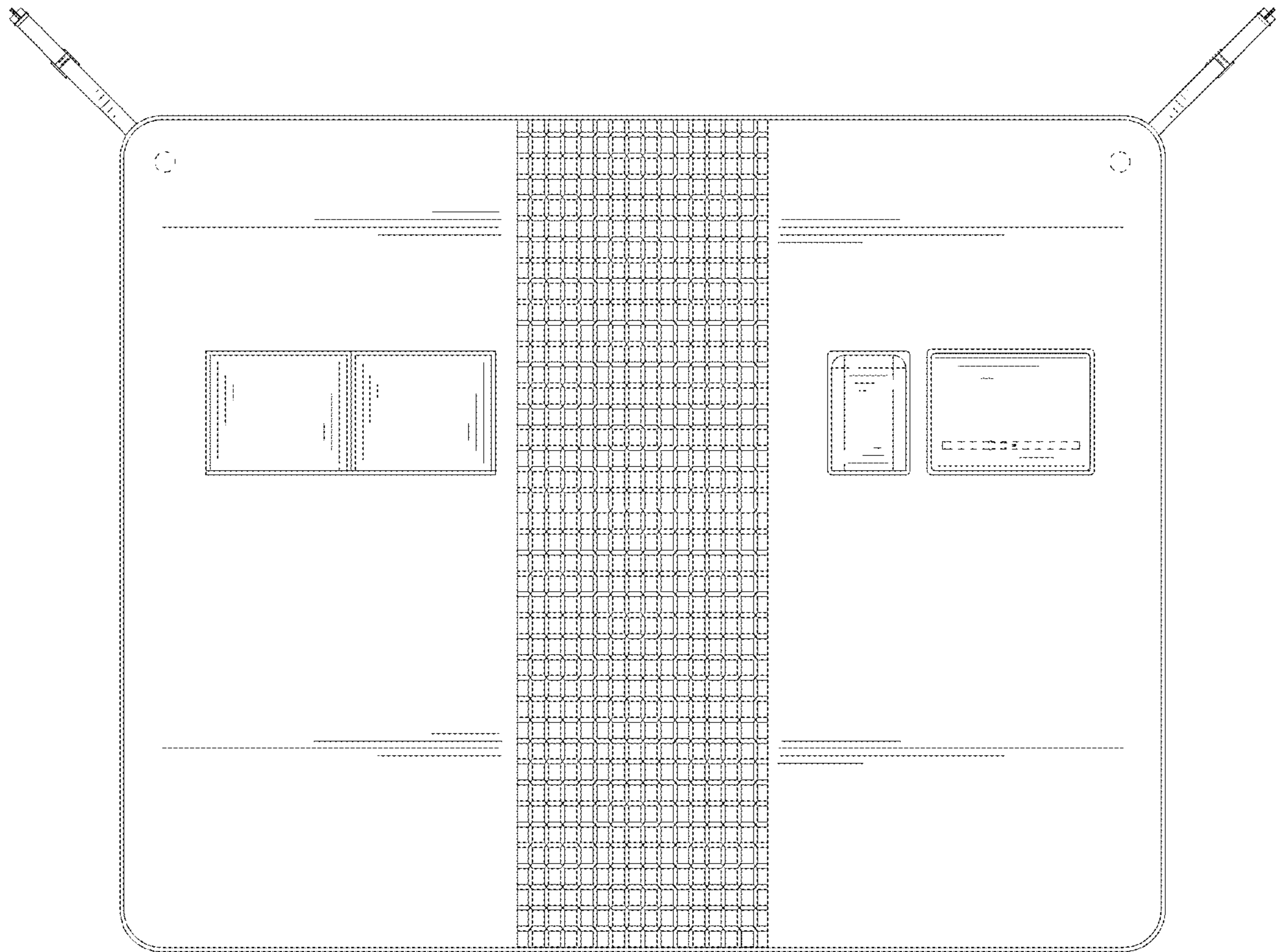


FIG. 4

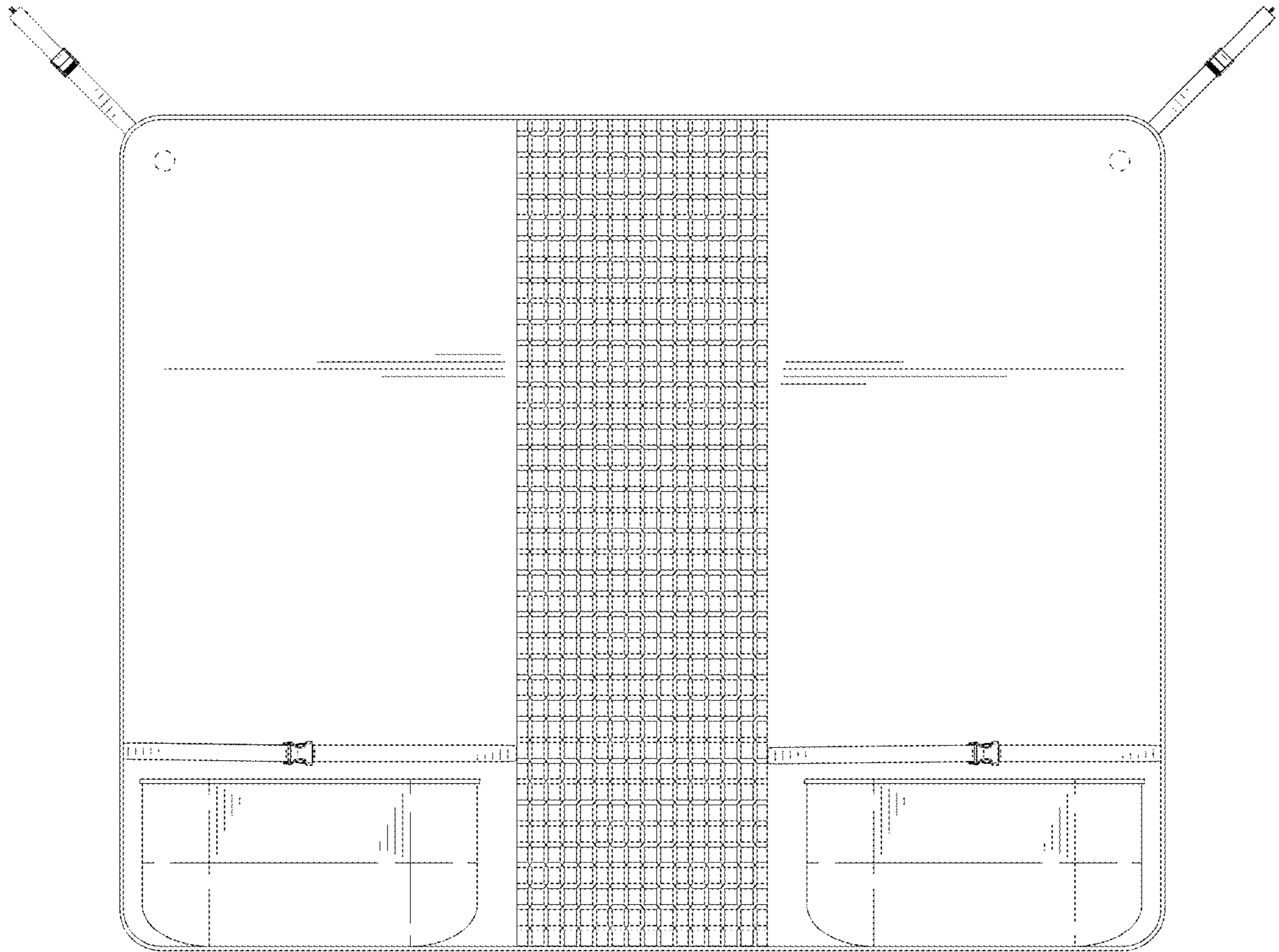


FIG. 5

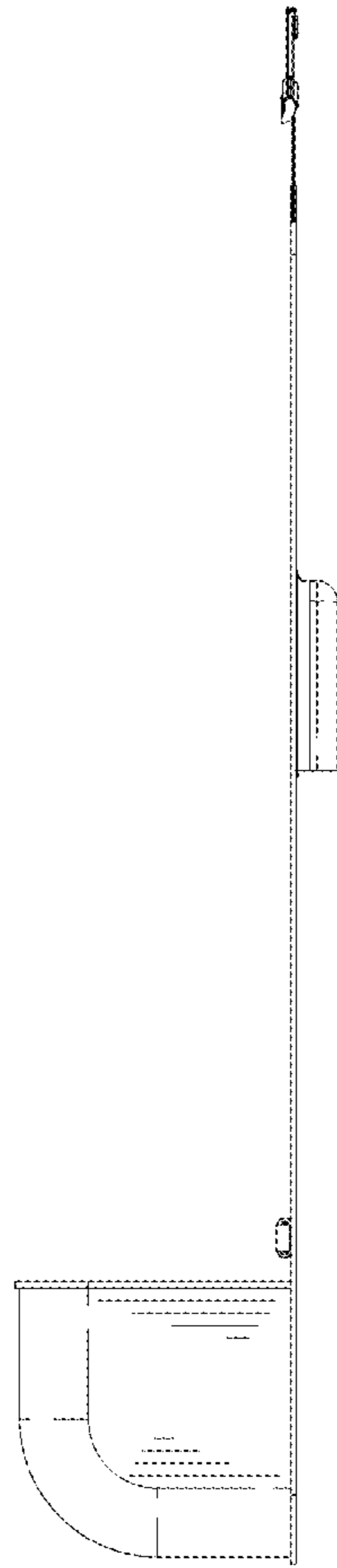


FIG. 6

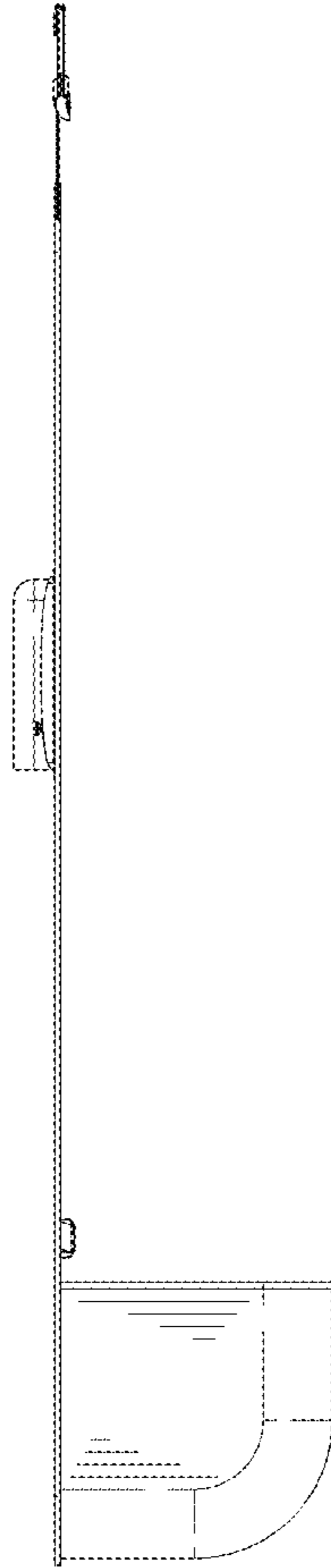


FIG. 7

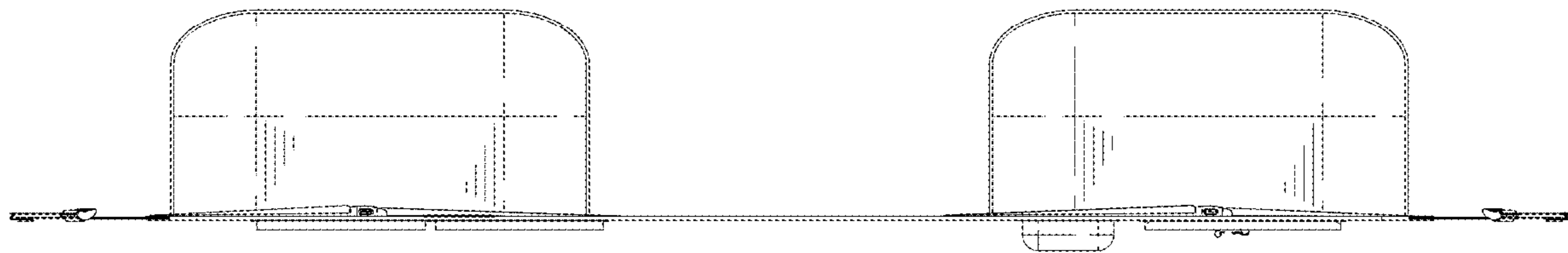


FIG. 8



FIG. 9

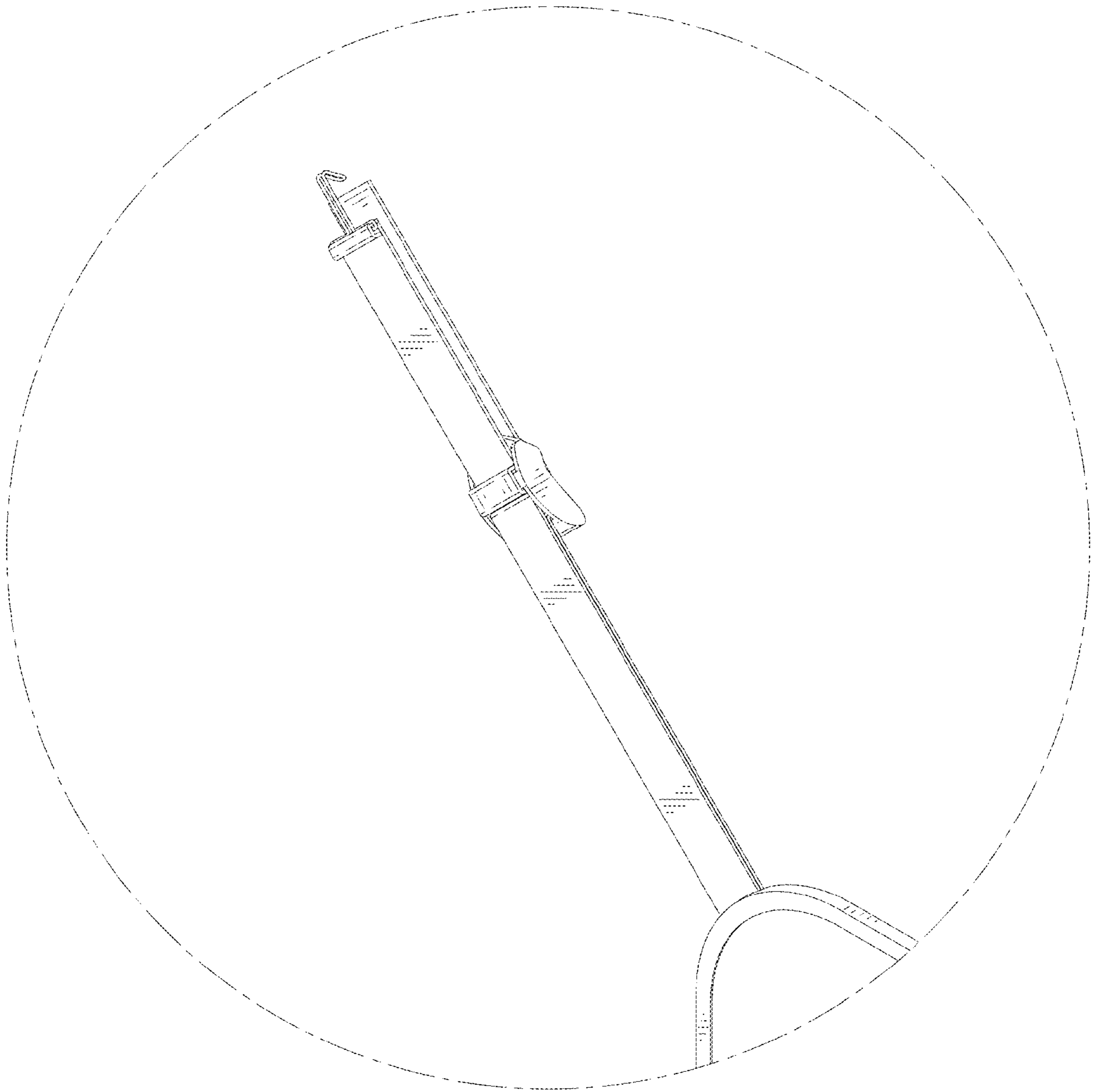


FIG. 10

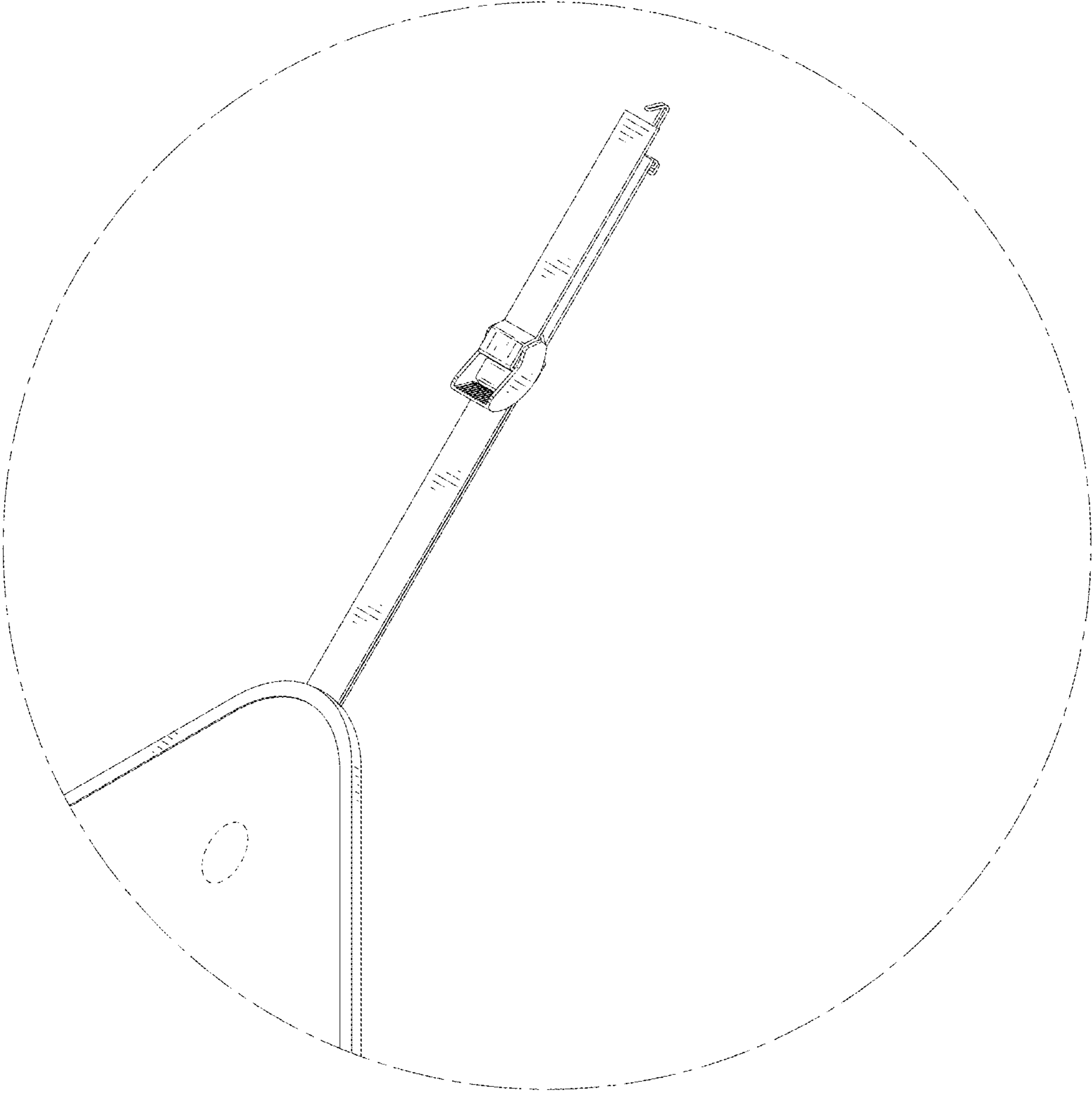


FIG. 11

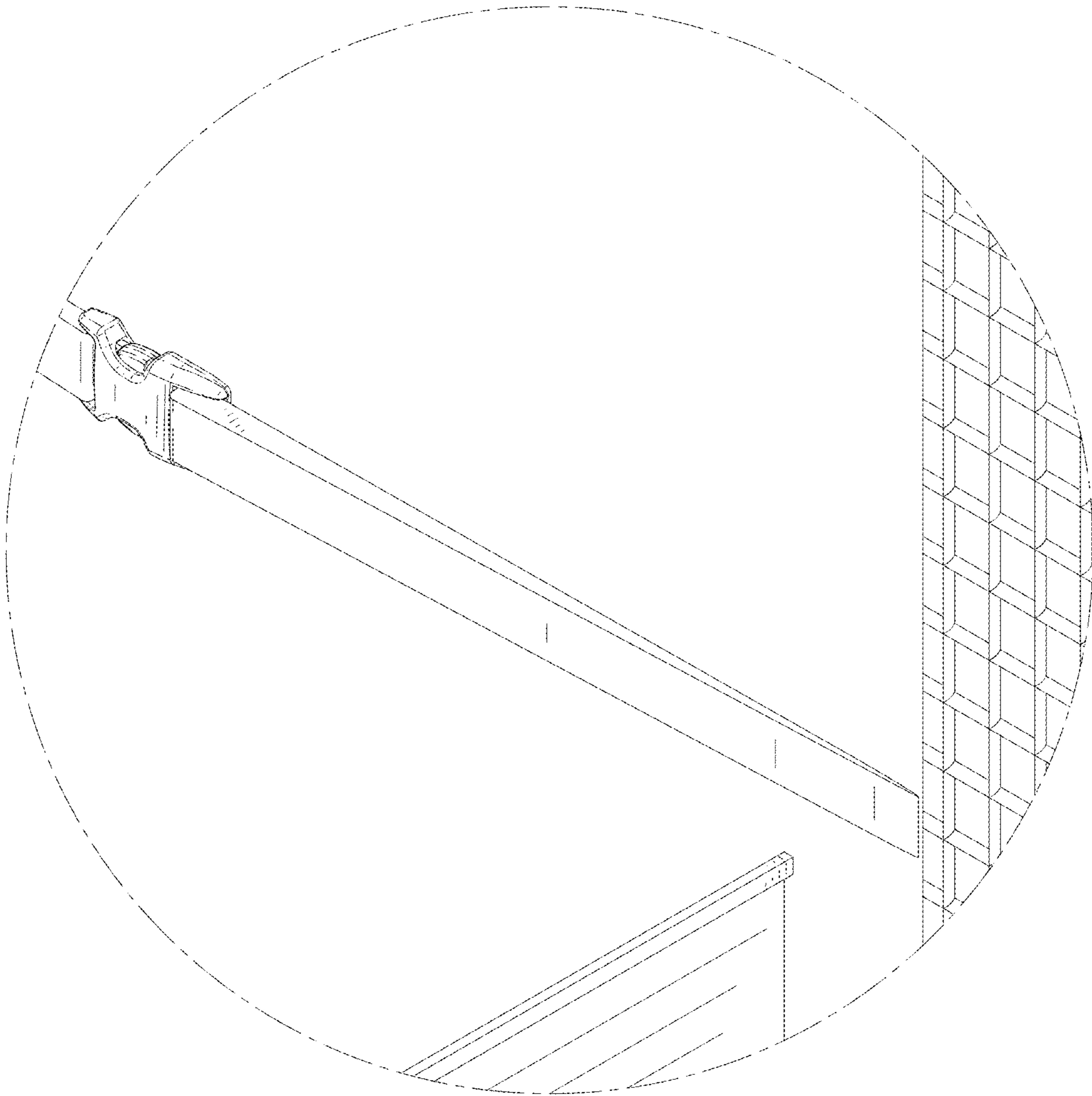


FIG. 12