



US00D972488S

(12) **United States Design Patent**
Liu et al.

(10) **Patent No.:** **US D972,488 S**

(45) **Date of Patent:** **** Dec. 13, 2022**

(54) **KAYAK ROOF RACK**

(71) Applicants: **Yin Liu**, Zhejiang (CN); **Guoxue Li**, Zhejiang (CN)

(72) Inventors: **Yin Liu**, Zhejiang (CN); **Guoxue Li**, Zhejiang (CN)

(73) Assignee: **NINGBO YONK MACHINERY CO. LTD.**, Ningbo Zhejiang (CN)

(**) Term: **15 Years**

(21) Appl. No.: **29/764,379**

(22) Filed: **Dec. 30, 2020**

(51) **LOC (13) Cl.** **12-16**

(52) **U.S. Cl.**
USPC **D12/412**

(58) **Field of Classification Search**
USPC D12/101, 114, 223, 400, 401, 403, 406, D12/407, 408, 412, 413, 414, 414.1, 115, D12/404, 409, 410; D8/349, 354; D21/561
CPC .. B63B 32/00; B60R 9/00; B60R 9/02; B60R 9/04; B60R 9/06; B60R 9/08; B60R 9/10; B60R 9/045; B60R 9/048; B60R 9/055; B60R 9/058

See application file for complete search history.

(56) **References Cited**

U.S. PATENT DOCUMENTS

D623,584 S *	9/2010	Farber	D12/412
D637,949 S *	5/2011	Farber	D12/412
8,136,708 B2 *	3/2012	Sautter	B60R 9/08 224/321
9,079,541 B2 *	7/2015	Farber	B60R 9/08
D751,971 S *	3/2016	Patel	D12/406

D812,546 S *	3/2018	Johnson	D12/406
D830,947 S *	10/2018	Adler	D12/406
D870,642 S *	12/2019	Adler	D12/412
D895,530 S *	9/2020	Lathrop	D12/412
D919,550 S *	5/2021	Teng	D12/412
2016/0114733 A1 *	4/2016	Pfaeffli	B60R 9/045 224/318
2018/0015866 A1 *	1/2018	Flaherty	B63B 32/00

* cited by examiner

Primary Examiner — Susan E Krakower

Assistant Examiner — Jerry Shiuang-Hua Hsu

(57) **CLAIM**

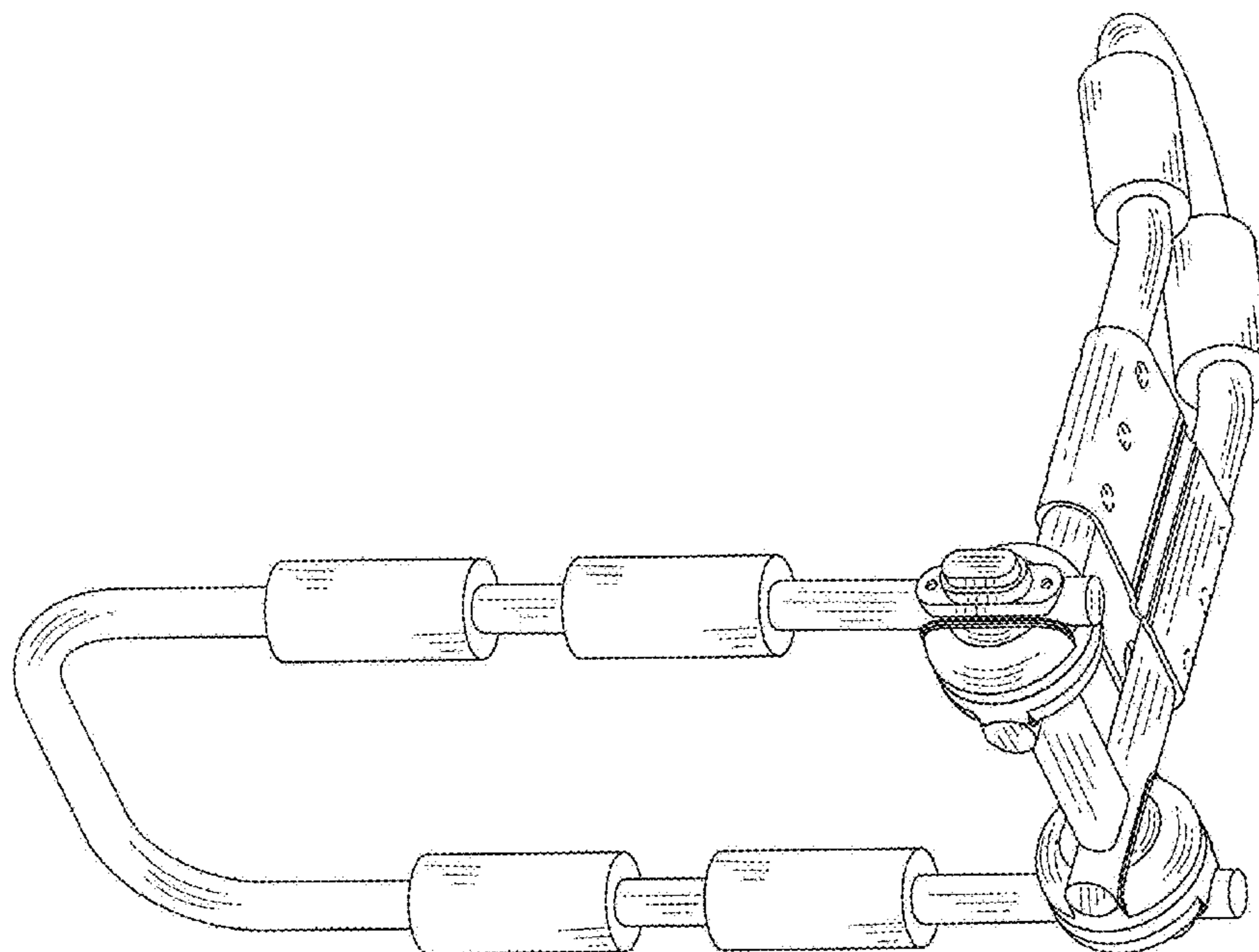
The ornamental design for a kayak roof rack, as shown and described.

DESCRIPTION

FIG. 1 is a perspective view of a kayak roof rack showing my new design;
 FIG. 2 is a front elevation view thereof;
 FIG. 3 is a rear elevation view thereof;
 FIG. 4 is a left side elevation view thereof;
 FIG. 5 is a right side elevation view thereof;
 FIG. 6 is a top plan view thereof;
 FIG. 7 is a bottom plan view thereof;
 FIG. 8 is an enlarged detail view thereof, taken from area 8 in FIG. 2; and,
 FIG. 9 is an enlarged detail view thereof, taken from area 9 in FIG. 4.

The broken lines illustrate boundary lines and lead lines depicting enlarged detail views and form no part of the claimed design.

1 Claim, 9 Drawing Sheets



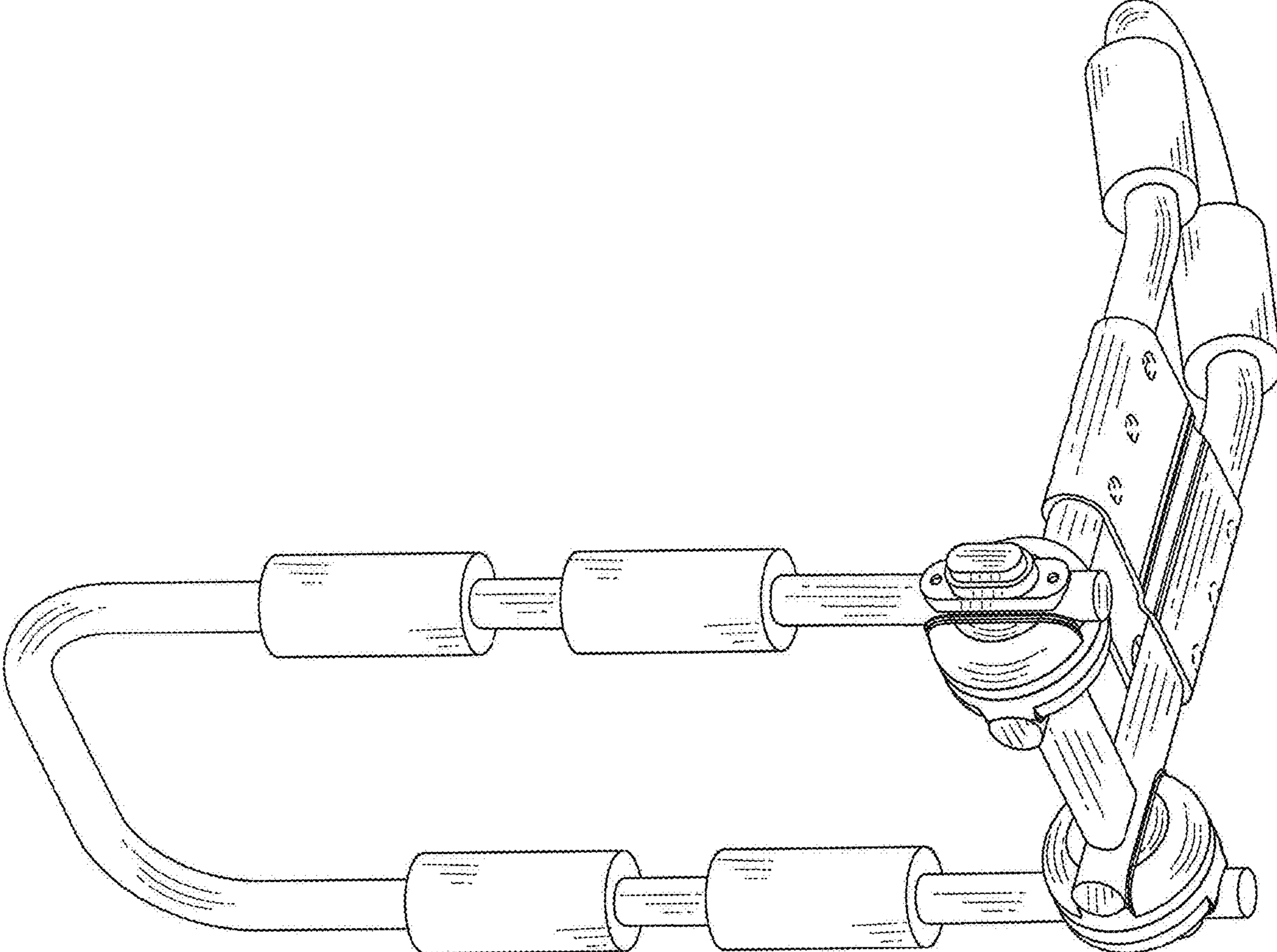


FIG. 1

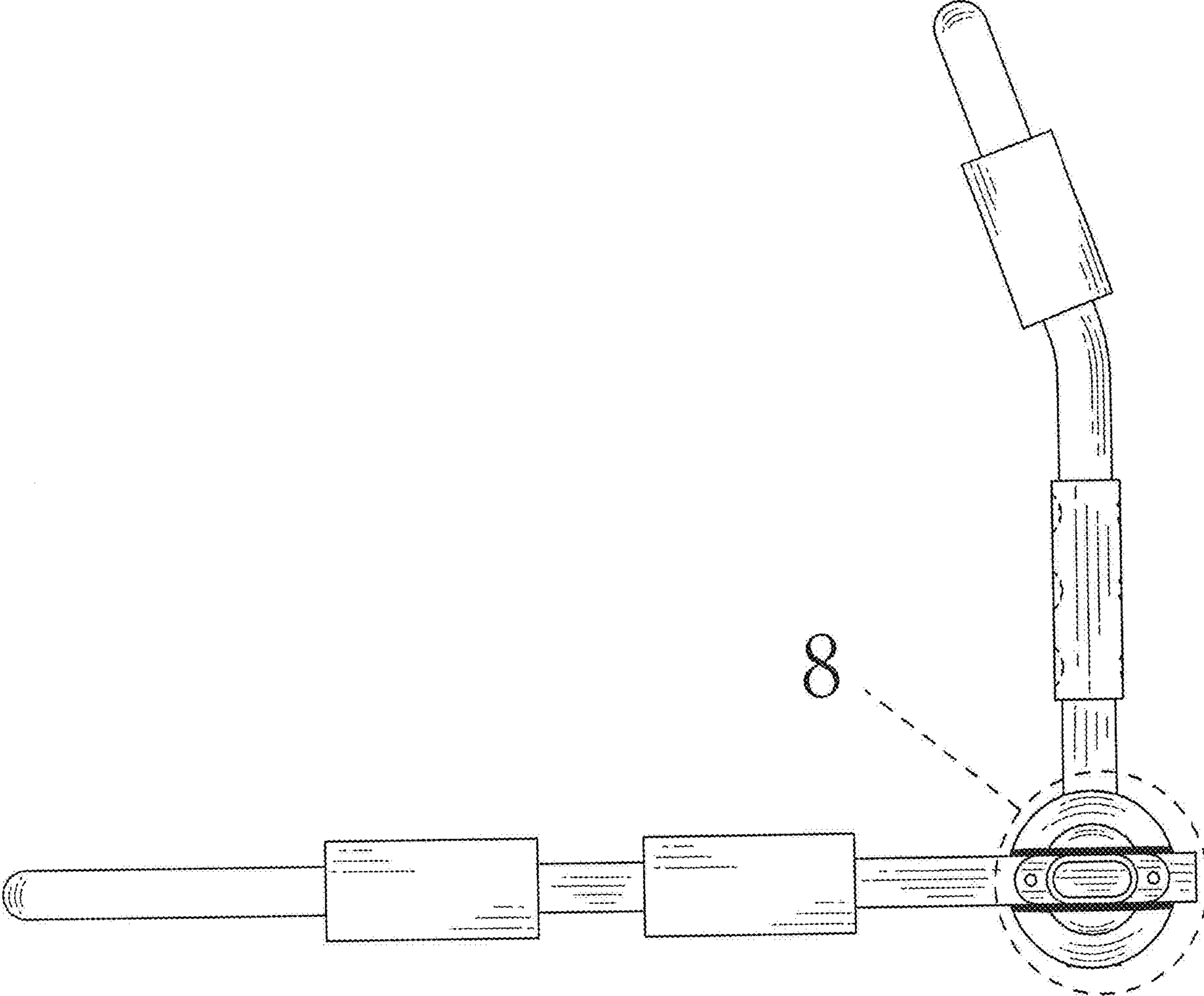


FIG. 2

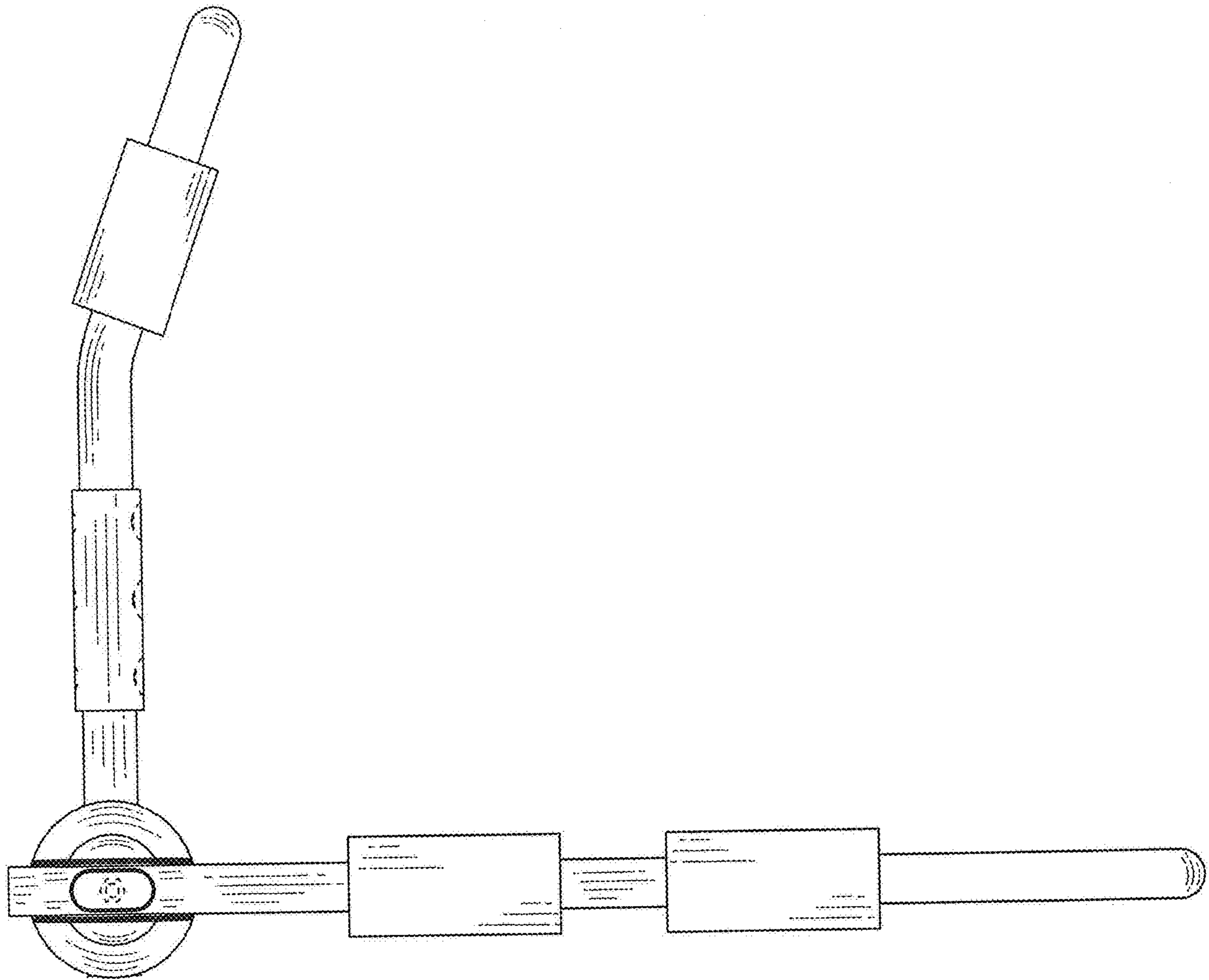


FIG. 3

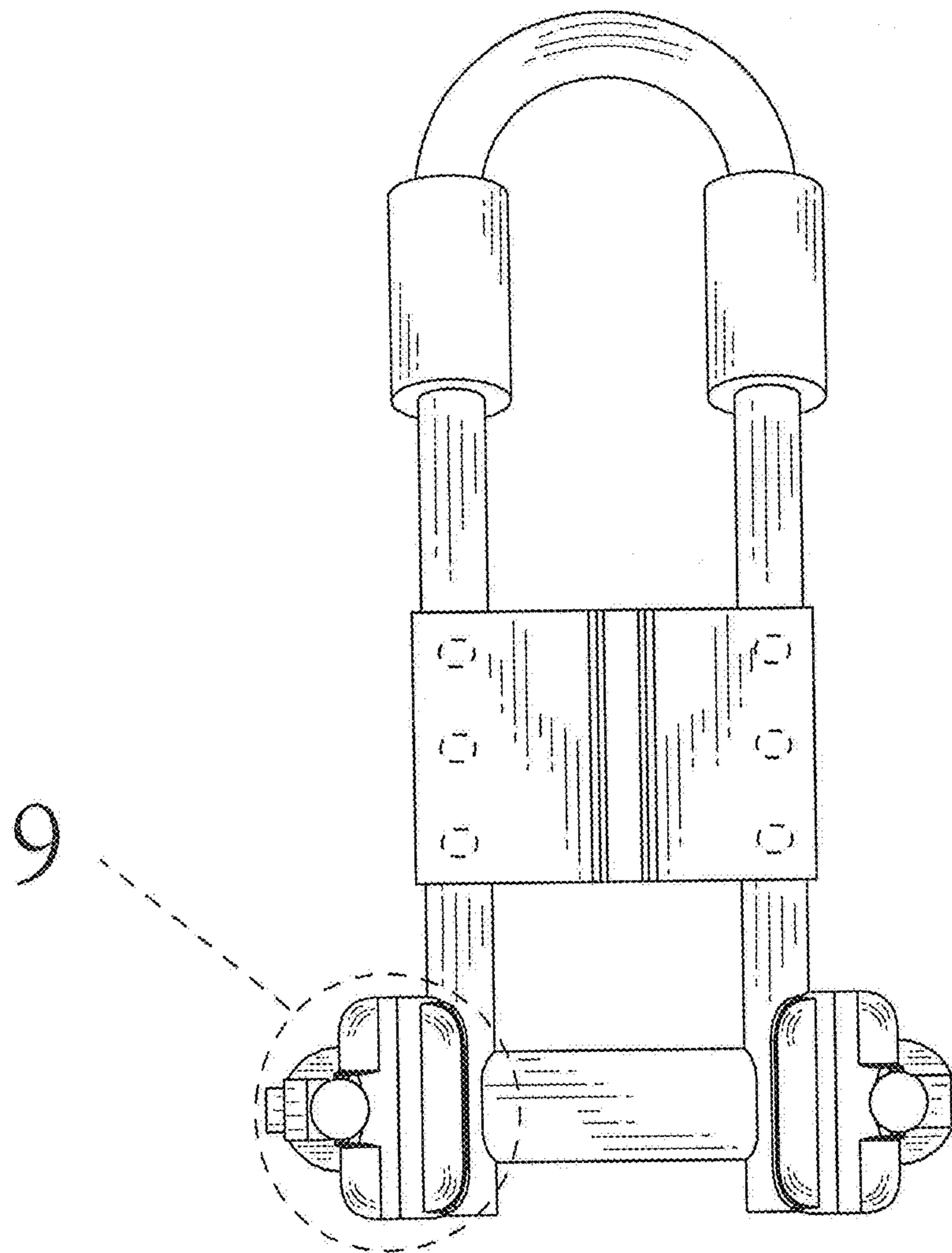


FIG. 4

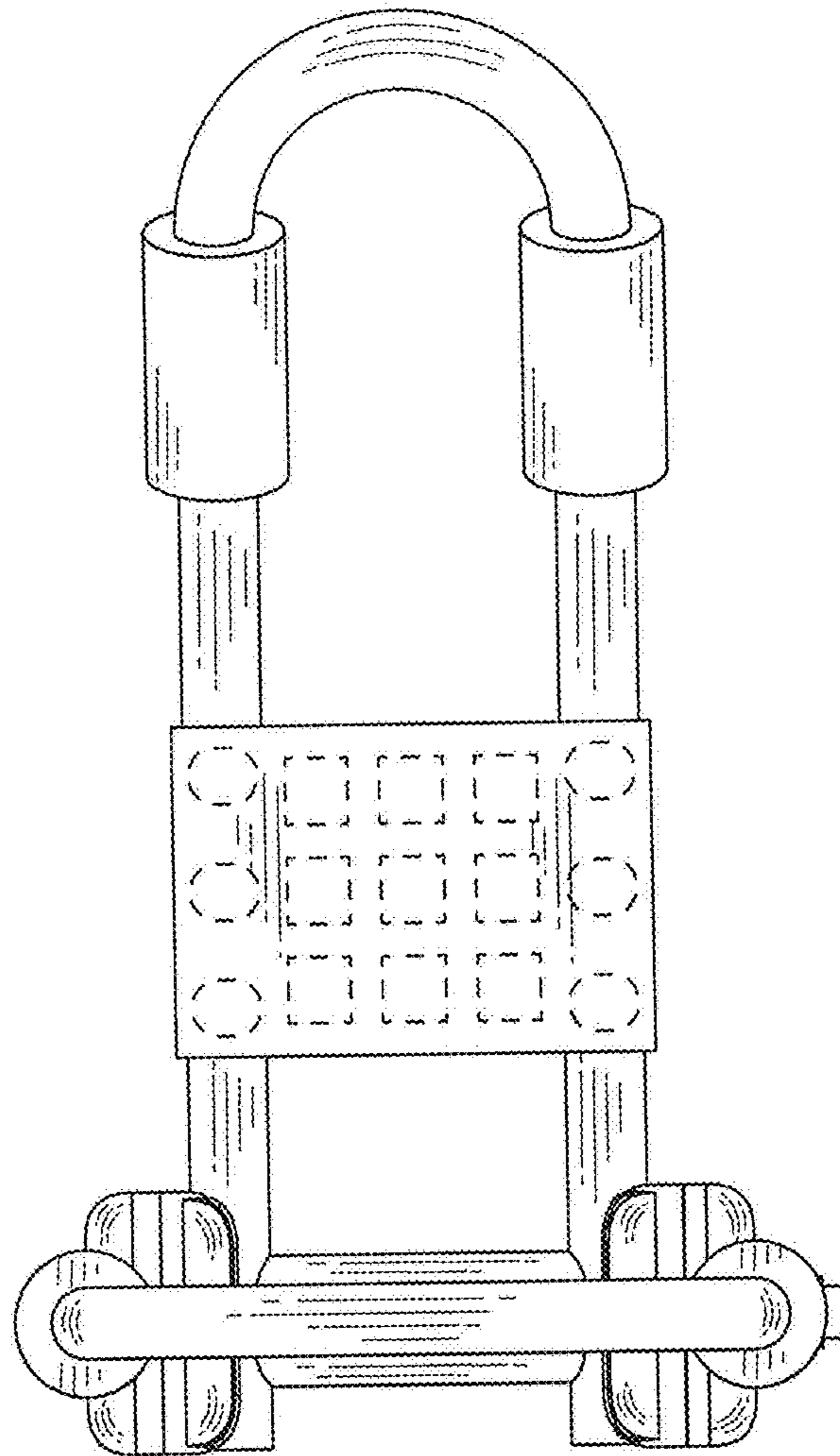


FIG. 5

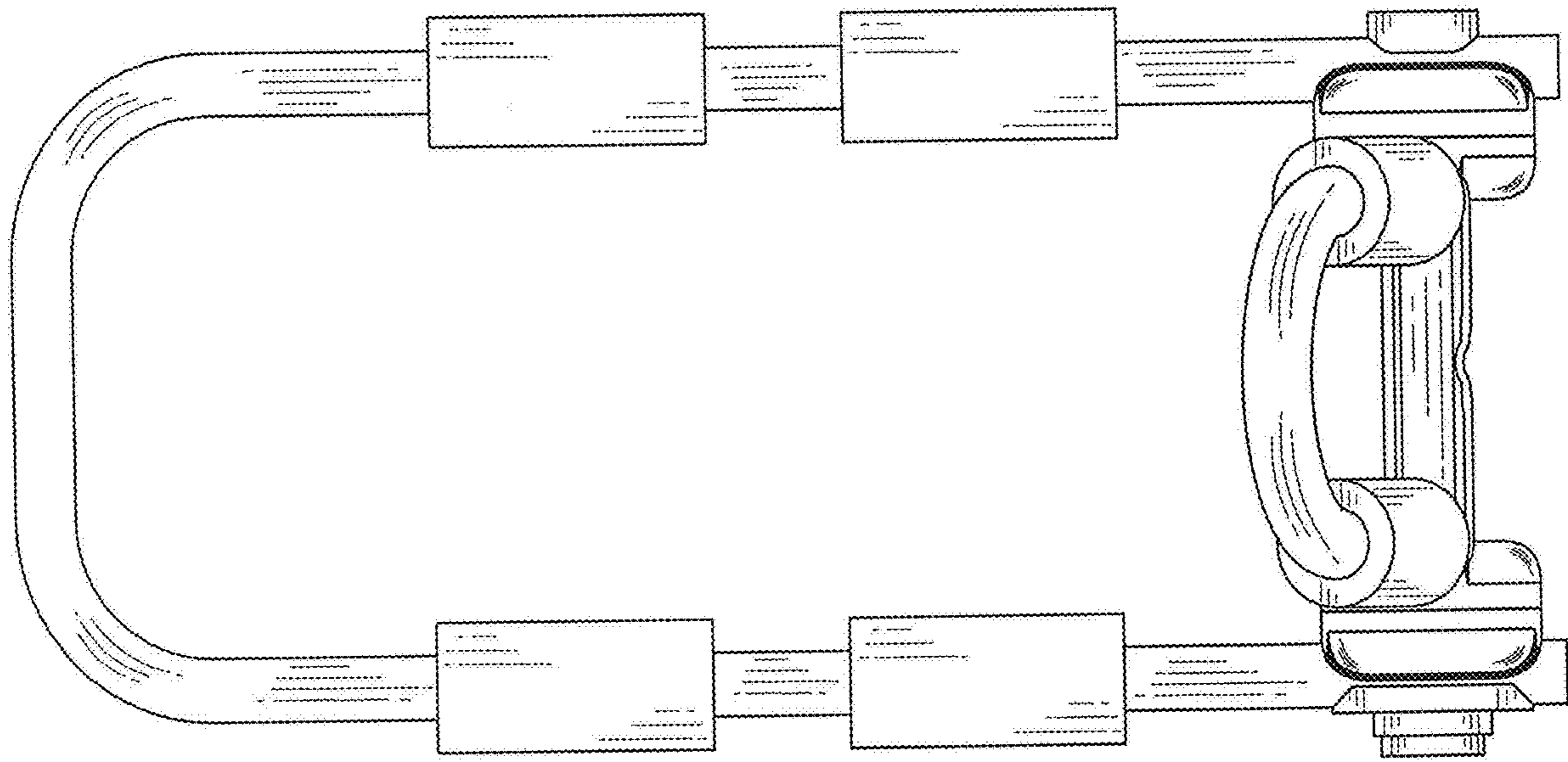


FIG. 6

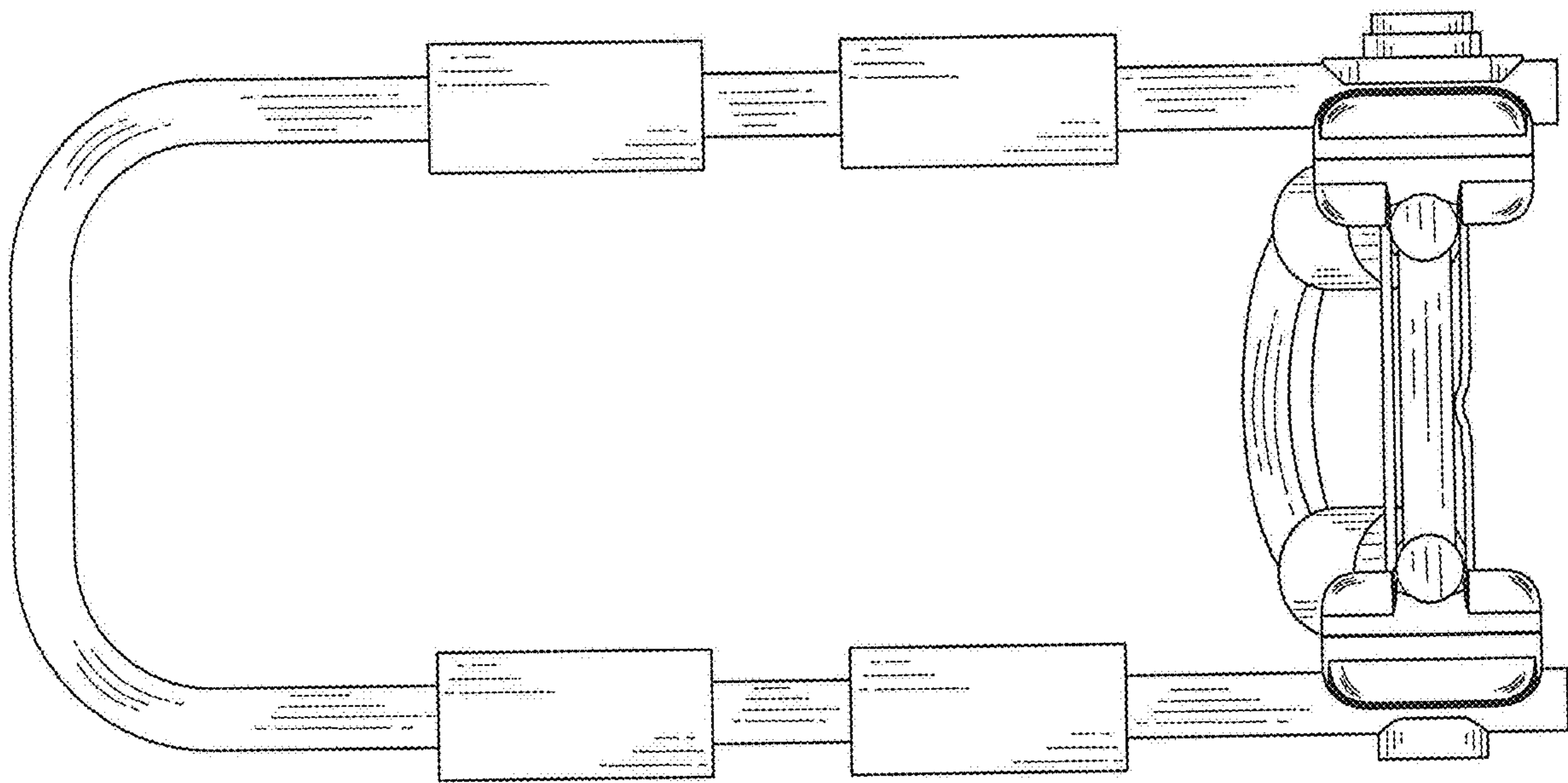


FIG. 7

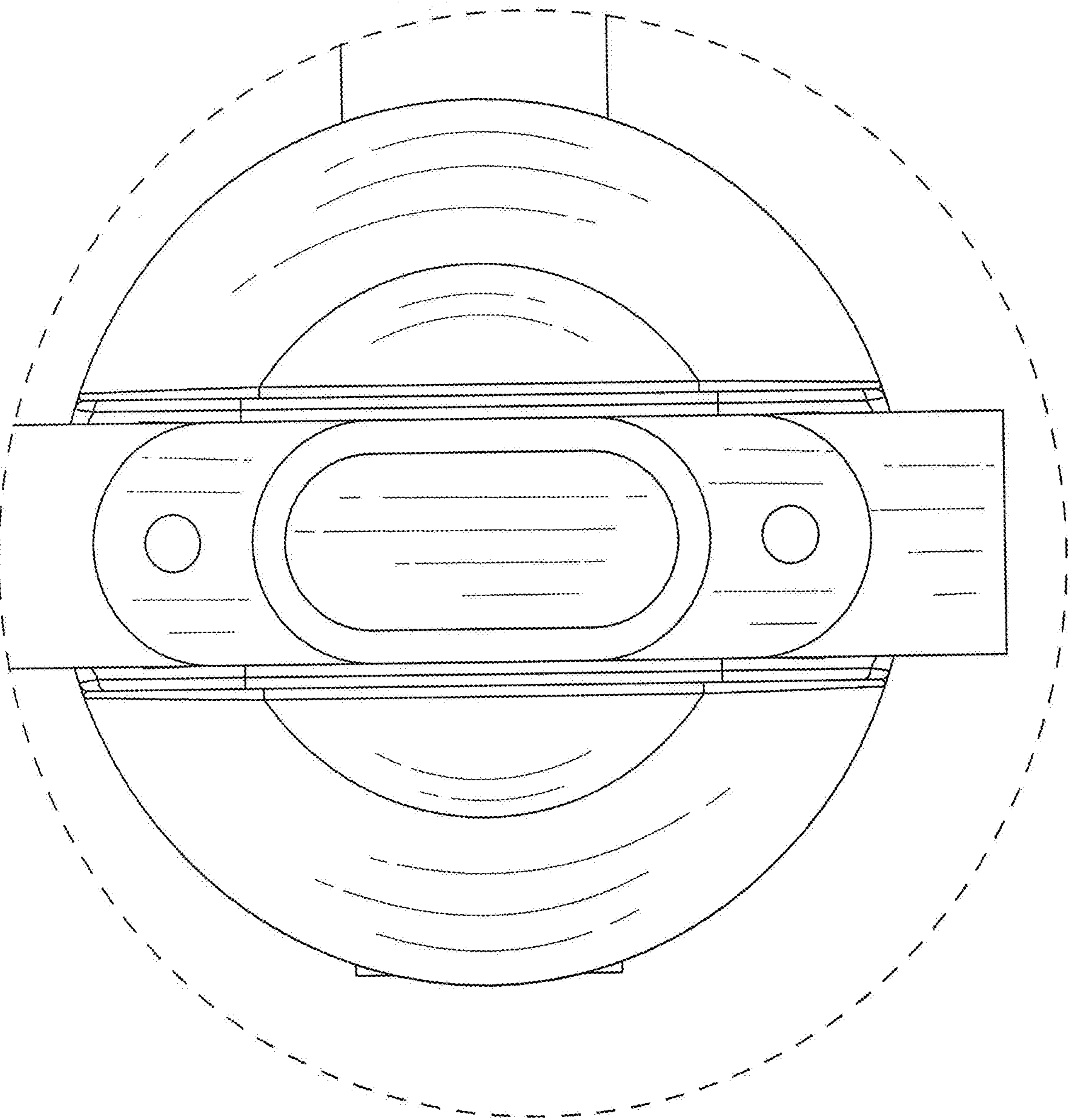


FIG. 8

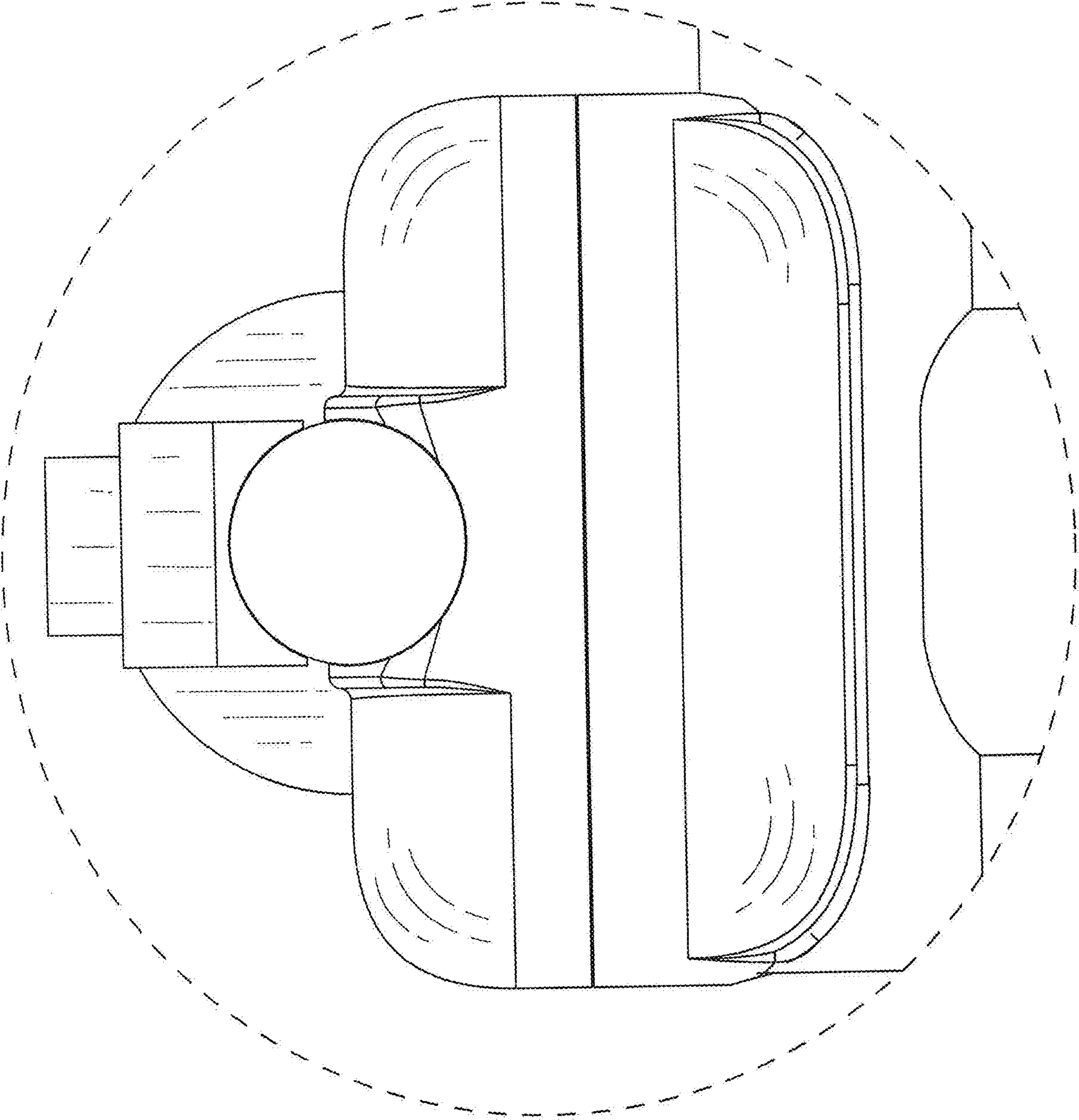


FIG. 9