



US00D972486S

(12) **United States Design Patent**
Bougon et al.

(10) **Patent No.: US D972,486 S**

(45) **Date of Patent: ** Dec. 13, 2022**

(54) **AIRSHIP**
(71) Applicant: **FLYING WHALES**, Suresnes (FR)
(72) Inventors: **Sébastien Bougon**, Suresnes (FR);
Vincent Guibout, Suresnes (FR);
Charlie Lavie, Suresnes (FR)

4,773,617 A * 9/1988 McCampbell B64B 1/60
244/30
4,889,297 A * 12/1989 Ikeda B64C 37/02
244/92
4,891,029 A * 1/1990 Hutchinson A63H 27/10
446/225
D358,575 S * 5/1995 Glasgow D12/323
5,435,504 A * 7/1995 Inoue B64C 1/061
244/119

(**) Term: **15 Years**

(Continued)

(21) Appl. No.: **35/512,594**

FOREIGN PATENT DOCUMENTS

(22) Filed: **Jun. 15, 2021**

CN 111688902 A * 9/2020
FR 2807735 A1 * 10/2001 B64B 1/10

(80) **Hague Agreement Data**

(Continued)

Int. Filing Date: **Jun. 15, 2021**
Int. Reg. No.: **DM/216196**
Int. Reg. Date: **Jun. 15, 2021**
Int. Reg. Pub. Date: **Sep. 24, 2021**

OTHER PUBLICATIONS

(51) **LOC (13) Cl.** **12-07**

Safran signs deal. by Safran group. dated Nov. 3, 2021. found online
[Jul. 29, 2022] <https://www.safran-group.com/pressroom/safran-signs-deal-flying-whales-equip-its-lca60t-airship-electrical-systems-2021-11-03>.*

(52) **U.S. Cl.**

Primary Examiner — Marissa J Cash

USPC **D12/323**

(58) **Field of Classification Search**

(57) **CLAIM**

USPC D12/1-4, 16.1, 319, 321, 323, 324-336,
D12/338-342, 344; D21/436, 439, 440,
D21/443, 447

The ornamental design for an airship, as shown and described.

CPC B64B 1/60; B64B 1/22; B64B 1/20; B64B
1/34; B64B 1/10

DESCRIPTION

See application file for complete search history.

The patent or application file contains at least one drawing executed in color. Copies of this patent or patent application publication with color drawing(s) will be provided by the Office upon request and payment of the necessary fee.

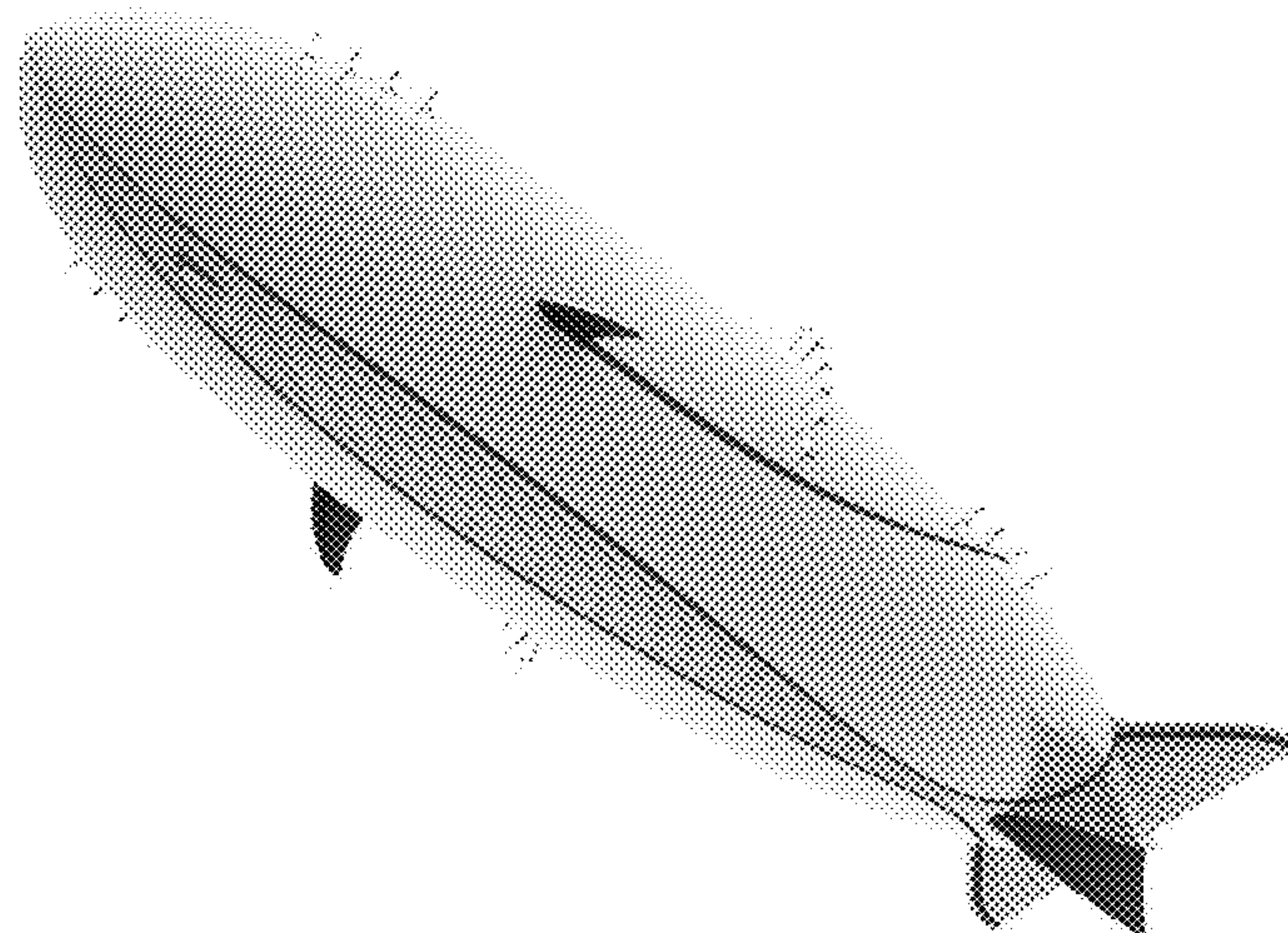
(56) **References Cited**

U.S. PATENT DOCUMENTS

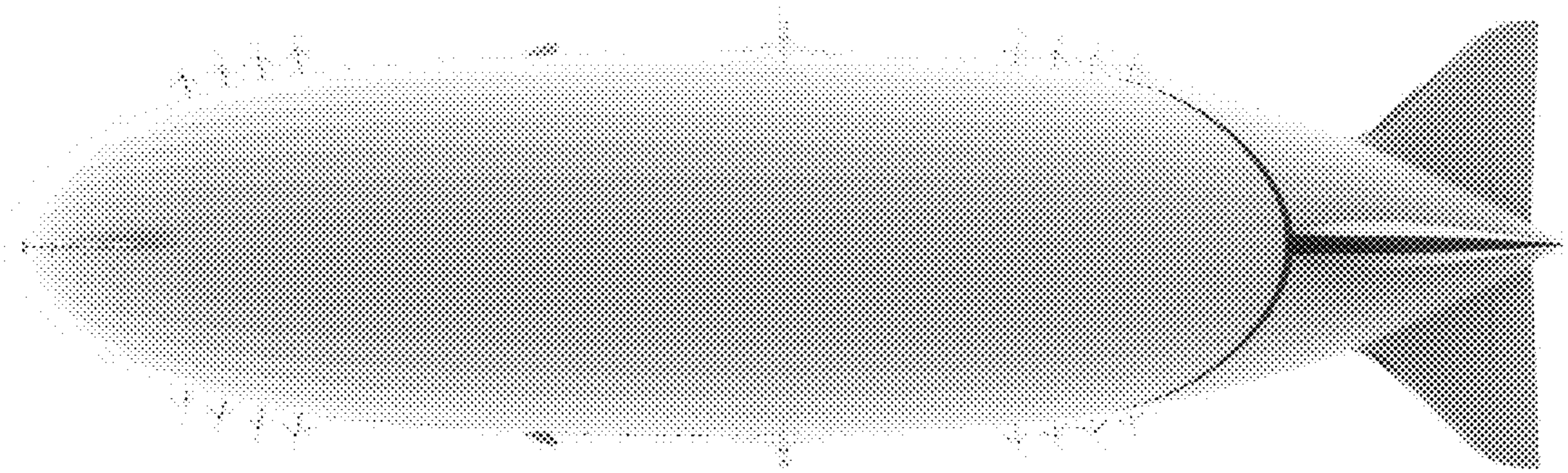
3,971,533 A * 7/1976 Slater B64B 1/38
244/30
4,364,532 A * 12/1982 Stark B64B 1/00
126/684
4,402,475 A * 9/1983 Pavlecka B64B 1/26
244/69
D280,194 S * 8/1985 Bothe D12/329
4,591,112 A * 5/1986 Piasecki B64B 1/00
244/26
D288,216 S * 2/1987 Jensen D21/447

- 1. Airship
- 1.1 : Top
- 1.2 : Front
- 1.3 : Bottom
- 1.4 : Profile view
- 1.5 : Perspective
- 1.6 : Rear view

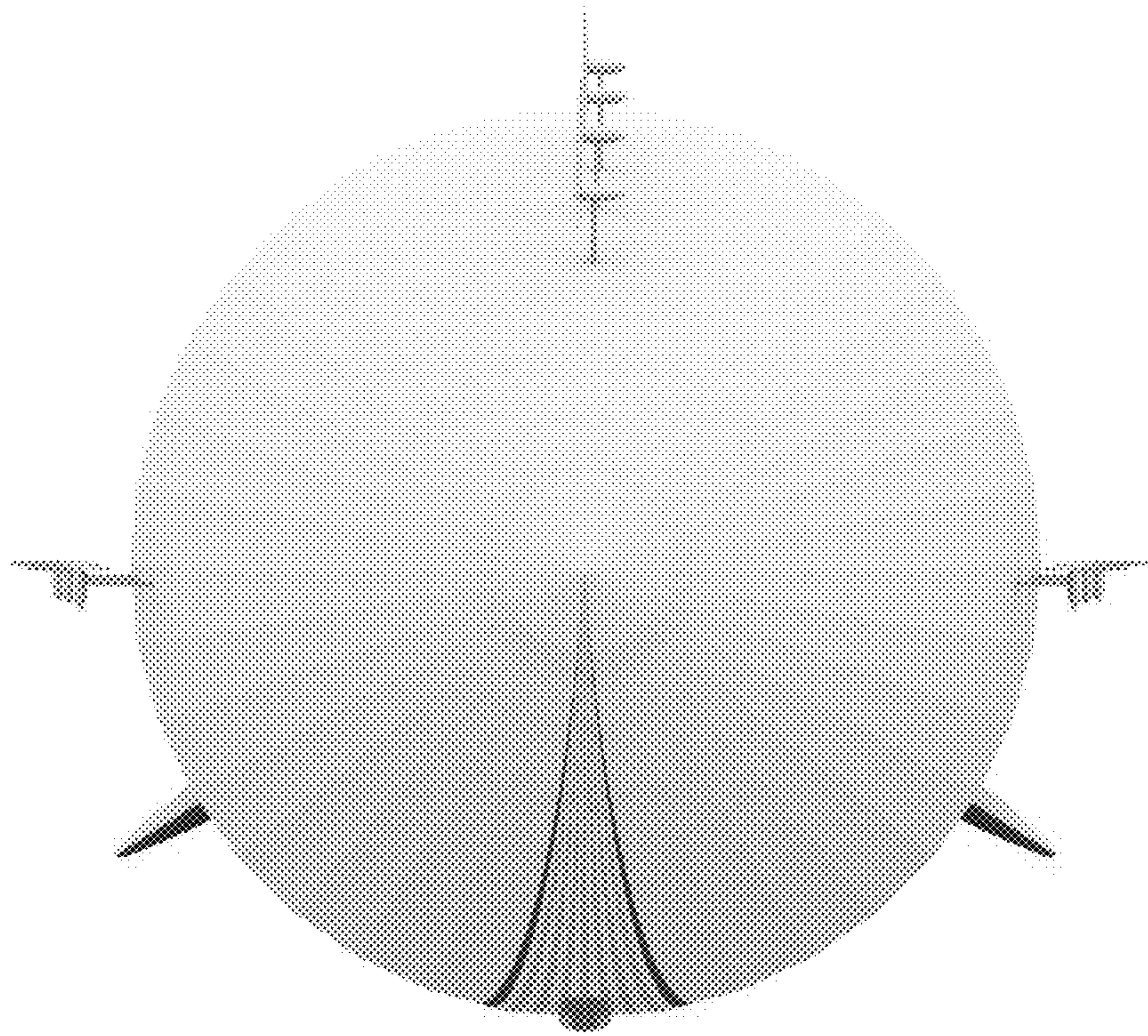
1 Claim, 6 Drawing Sheets
(6 of 6 Drawing Sheet(s) Filed in Color)



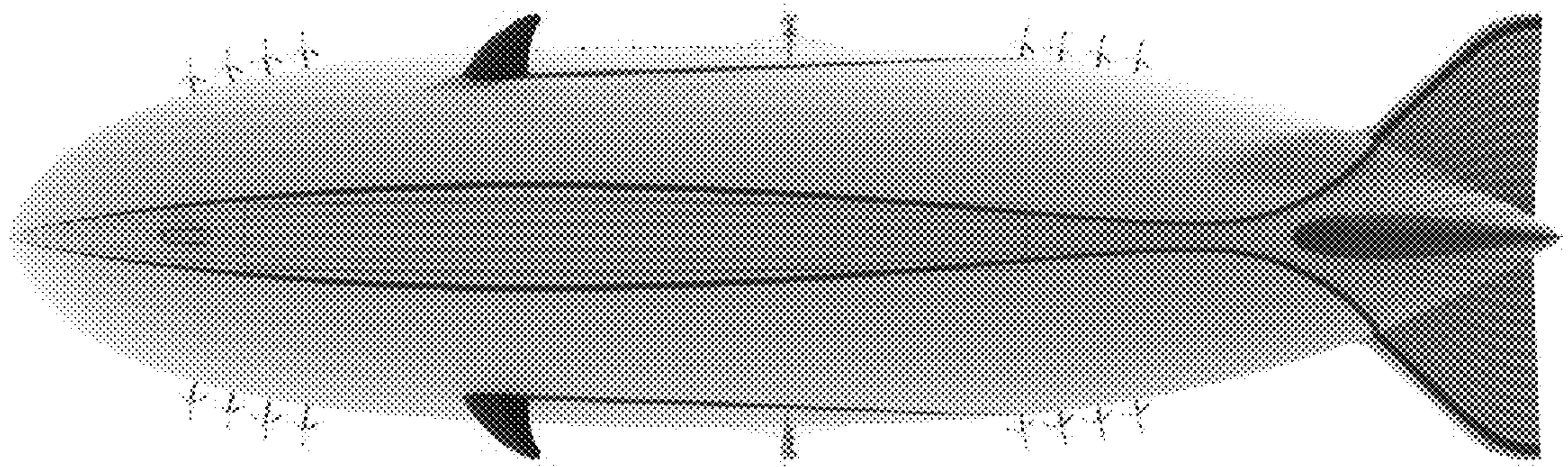
1.1



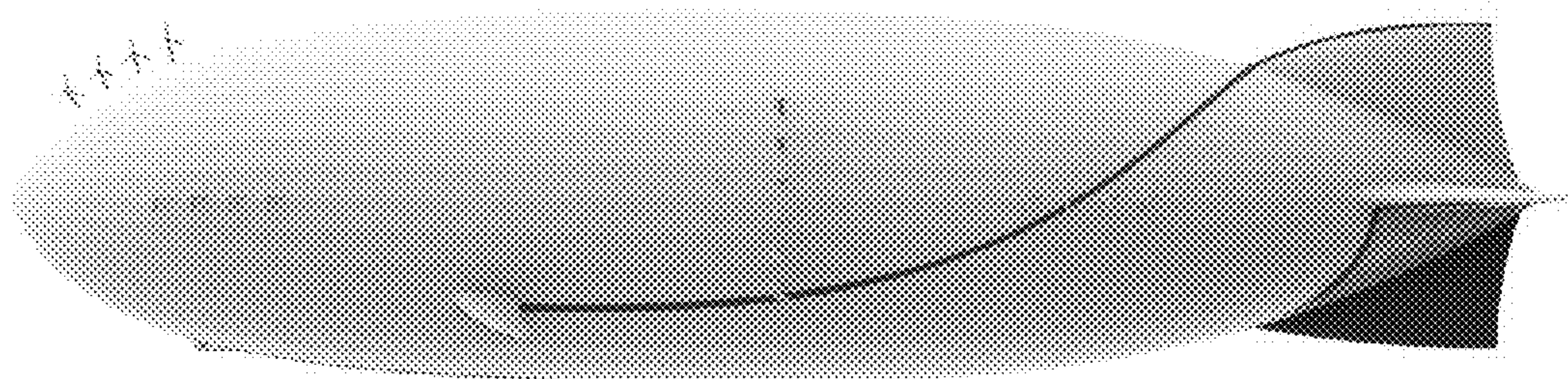
1.2



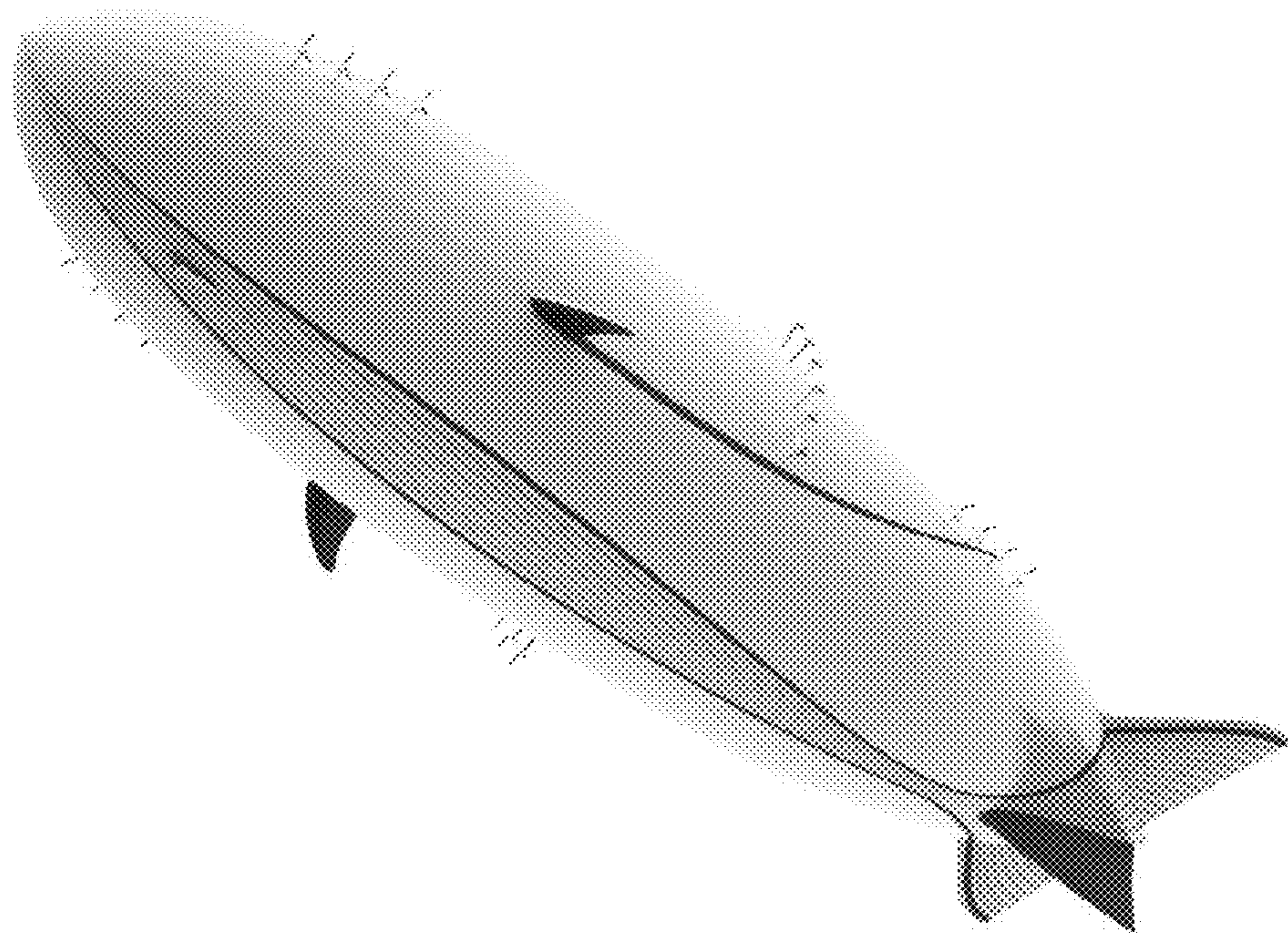
1.3



1.4



1.5



1.6

