



(56)

**References Cited**

U.S. PATENT DOCUMENTS

D544,045 S *	6/2007	Hamasaki .....	D21/542
2007/0051290 A1 *	3/2007	Kingsbury .....	B63B 1/04 114/61.3

\* cited by examiner

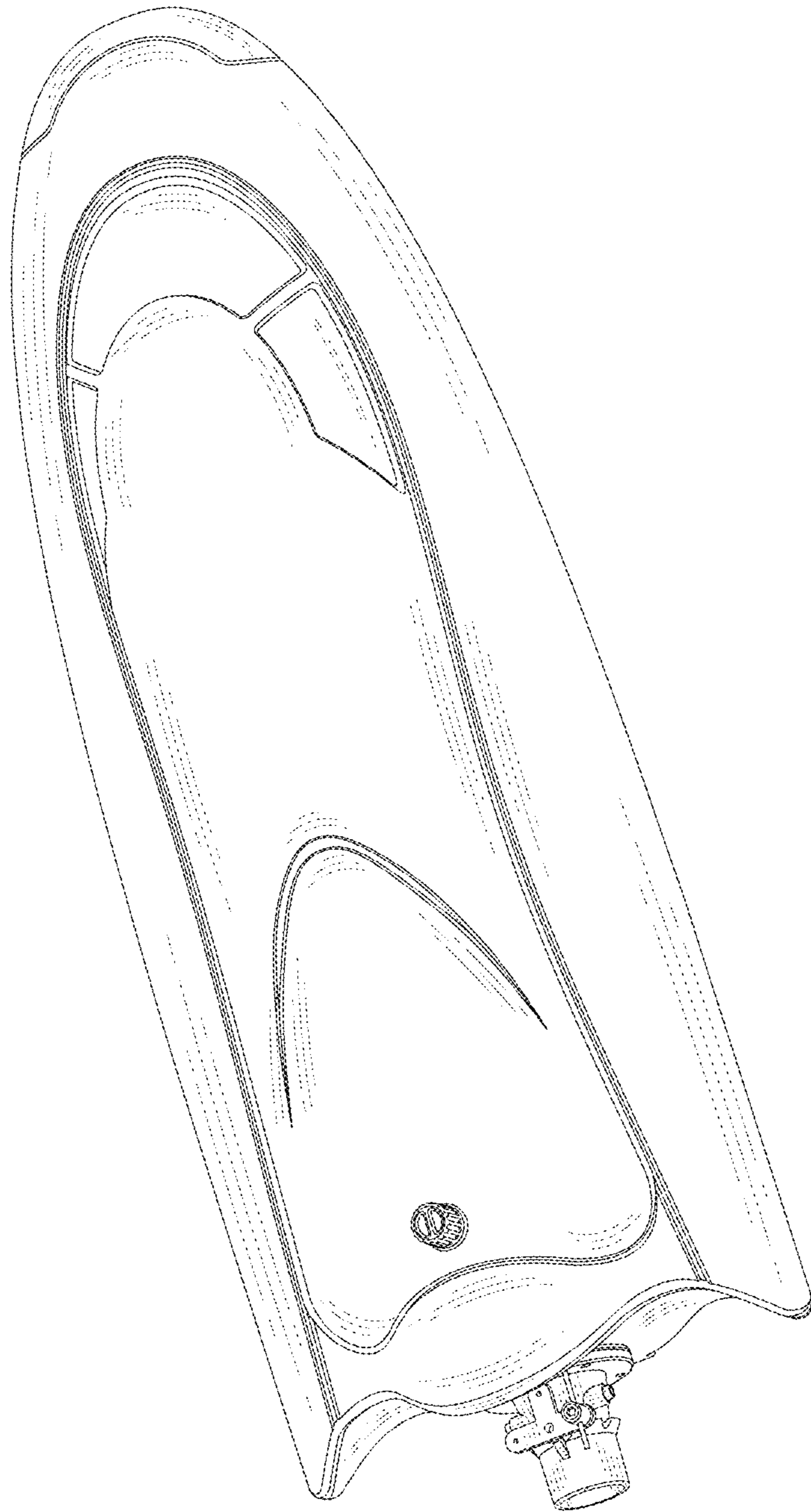


FIG. 1

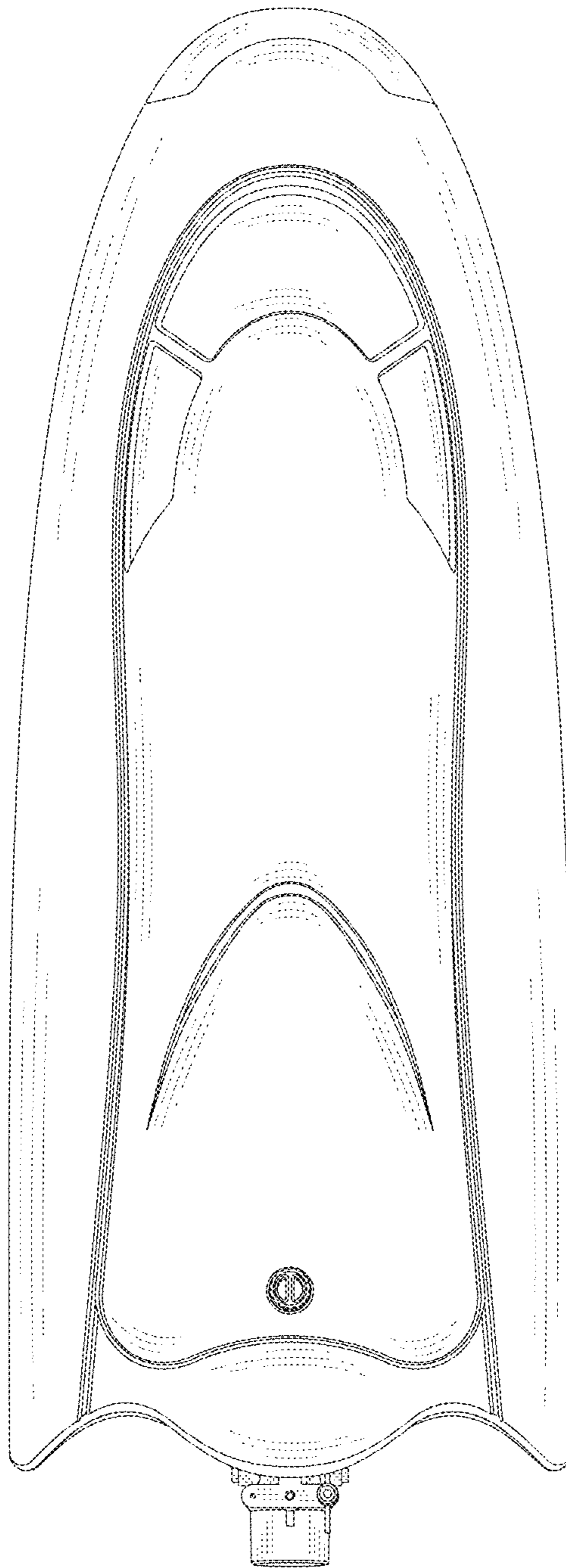


FIG. 2

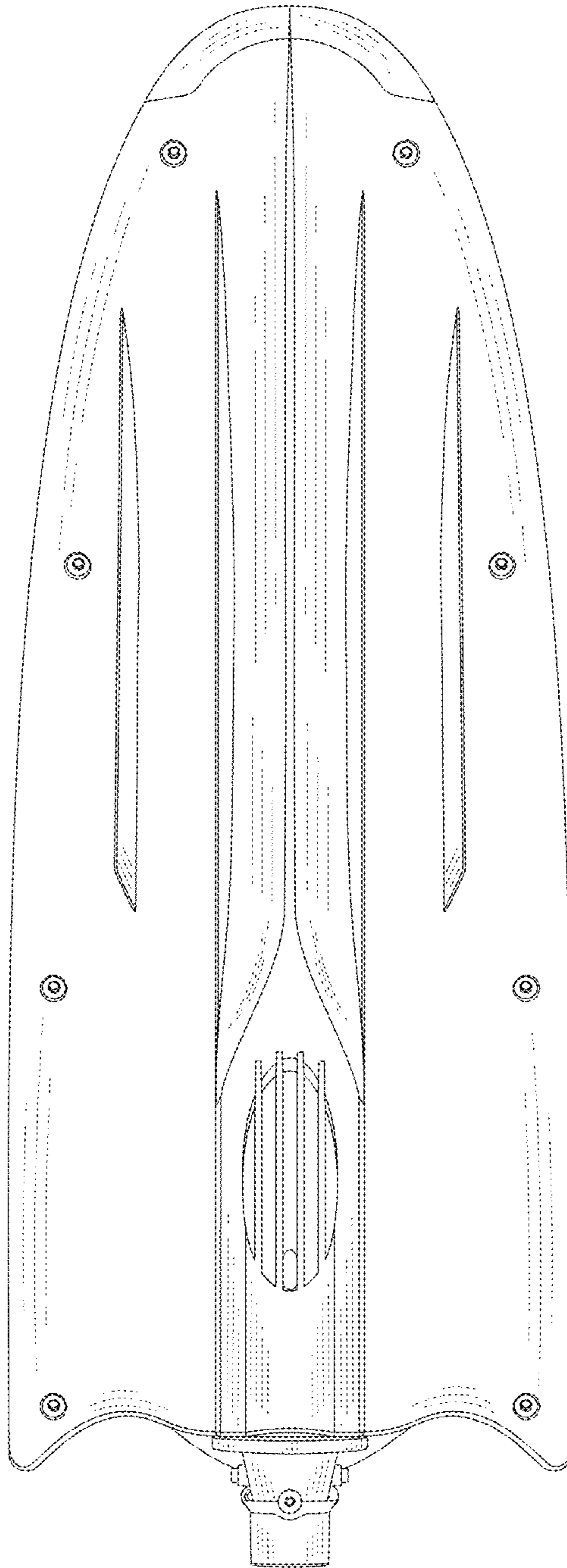


FIG. 3



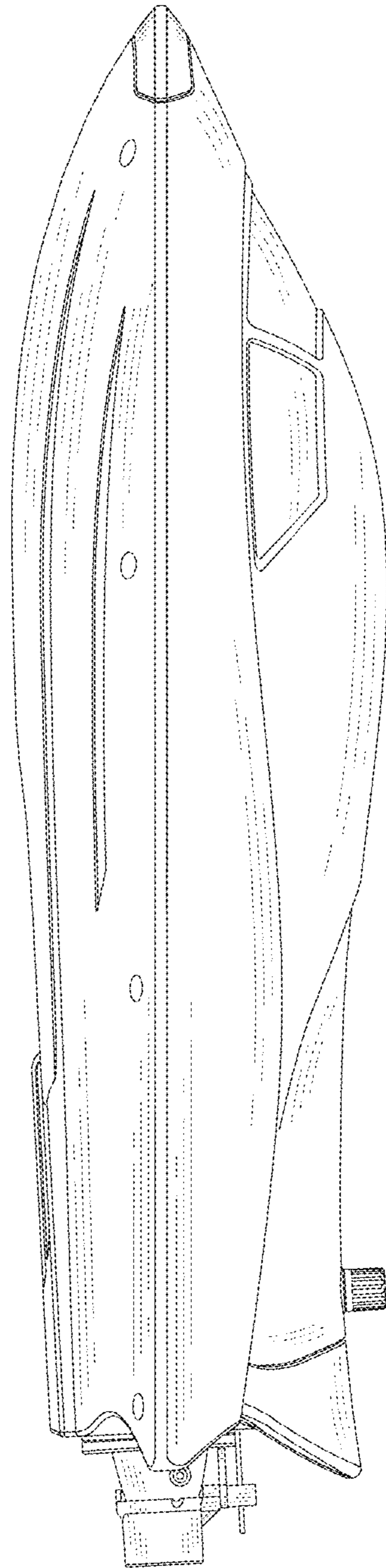


FIG. 4

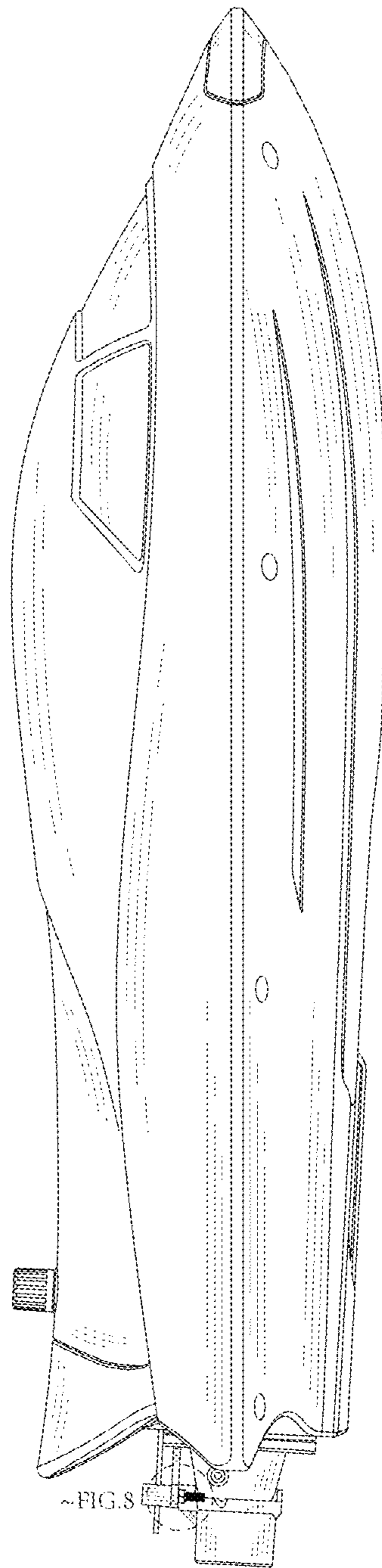


FIG. 5

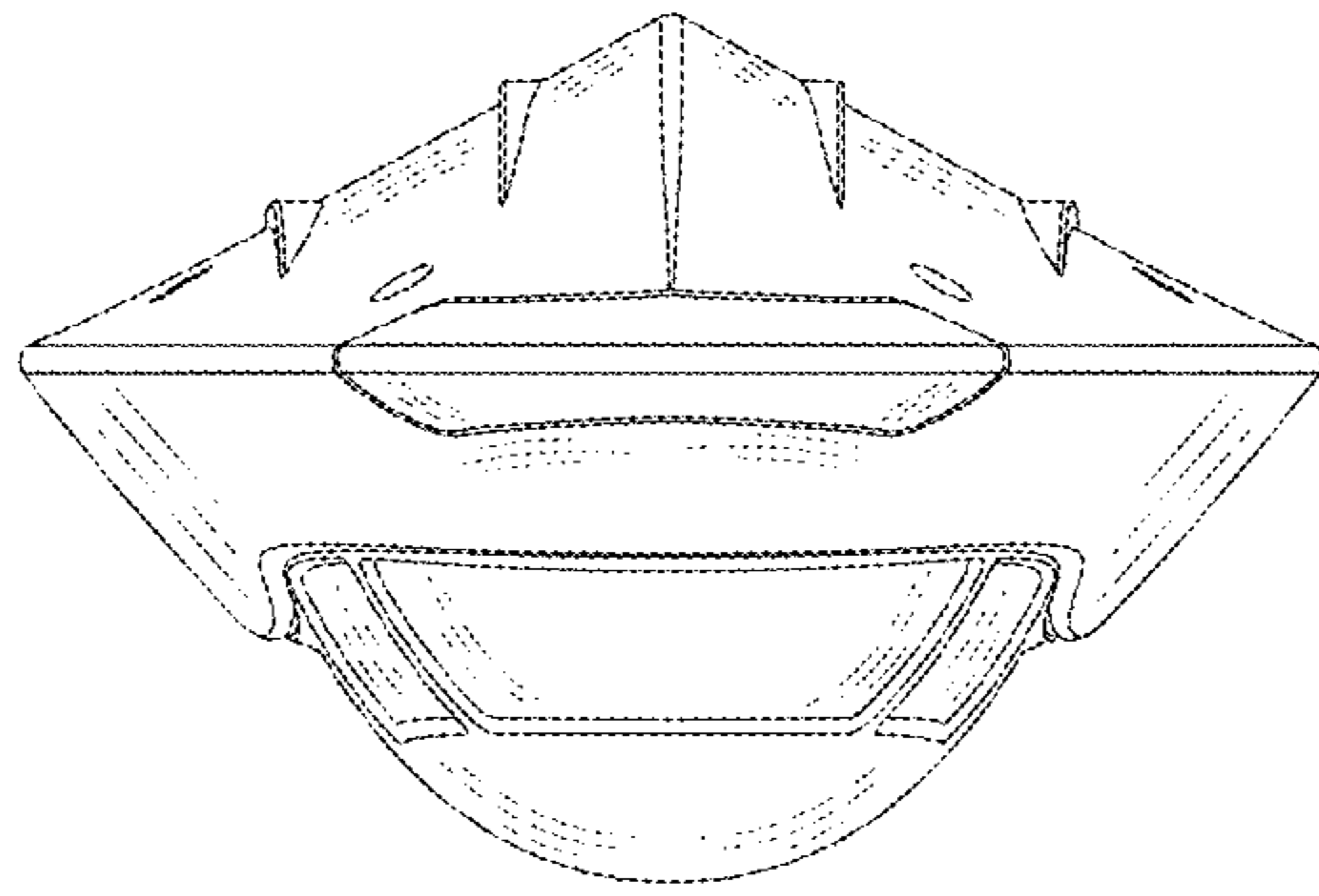


FIG. 6



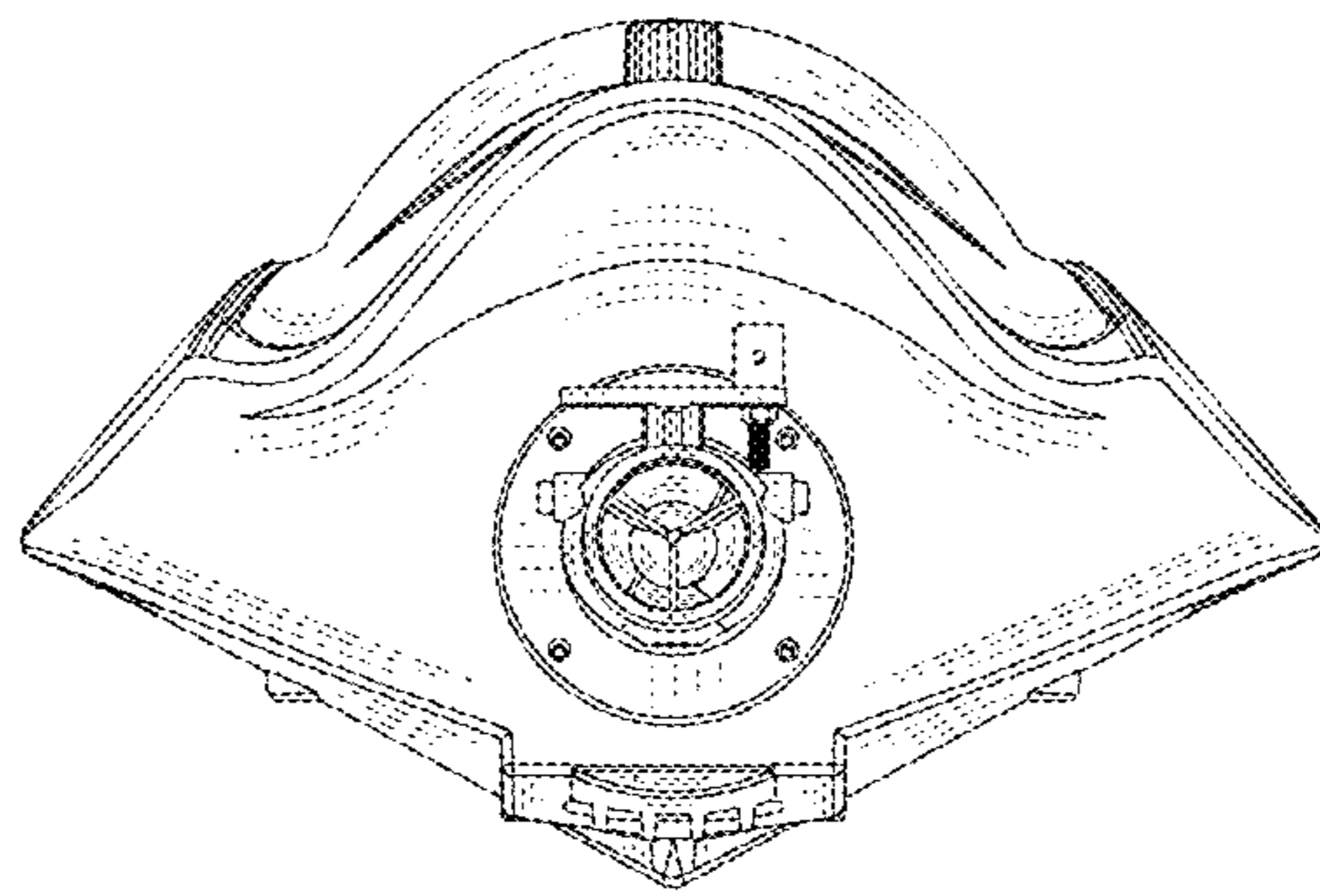


FIG. 7

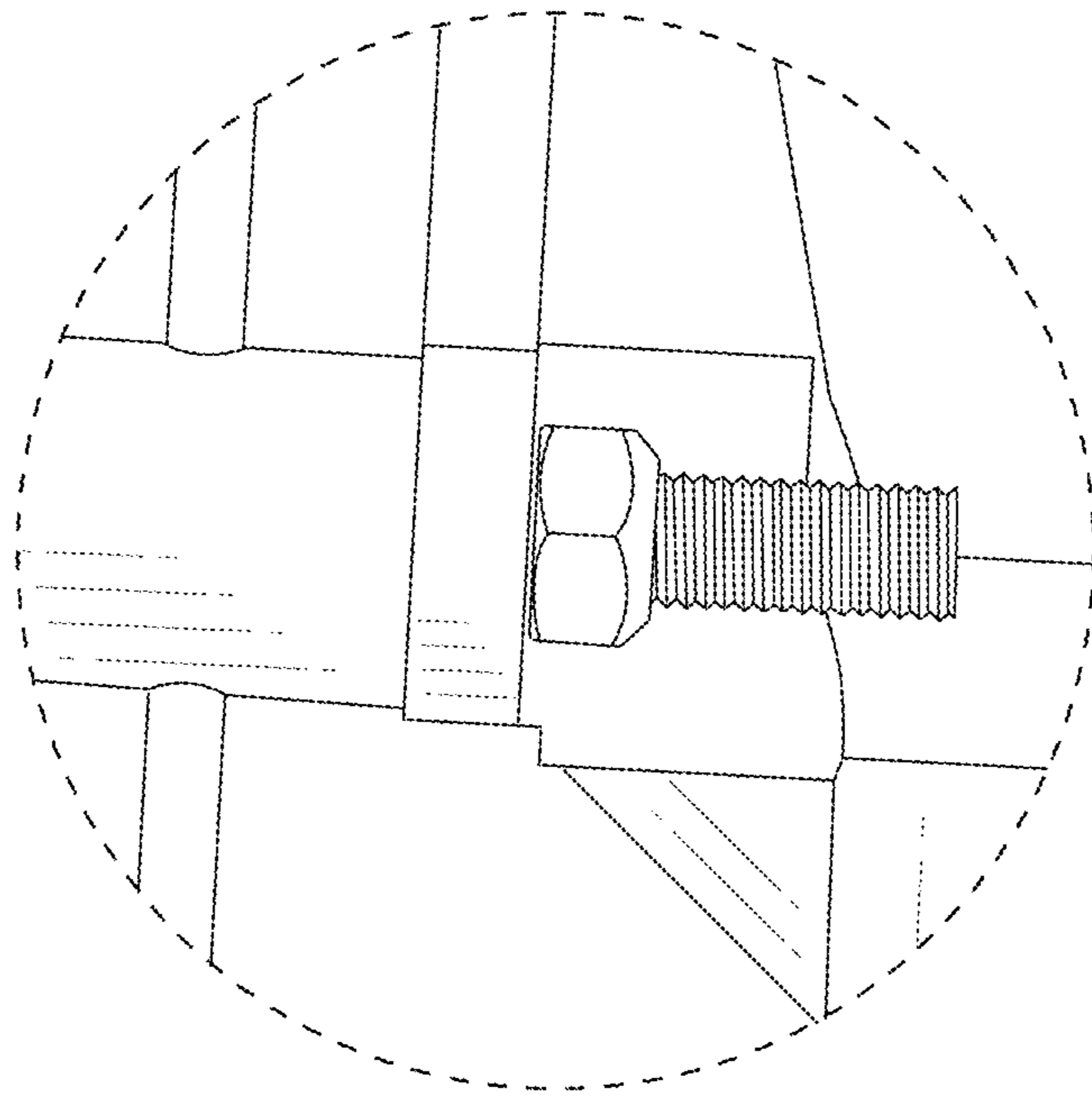


FIG. 8