



US00D972484S

(12) **United States Design Patent**
Cheng

(10) **Patent No.:** **US D972,484 S**

(45) **Date of Patent:** **** Dec. 13, 2022**

(54) **CAR SEAT BELT SLOT BRACKET**

(71) Applicant: **Shuqun Cheng**, Guangdong (CN)

(72) Inventor: **Shuqun Cheng**, Guangdong (CN)

(**) Term: **15 Years**

(21) Appl. No.: **29/751,141**

(22) Filed: **Sep. 18, 2020**

(30) **Foreign Application Priority Data**

Jun. 30, 2020 (CN) 202030343115.7

(51) **LOC (13) Cl.** **12-16**

(52) **U.S. Cl.**
USPC **D12/223**

(58) **Field of Classification Search**
USPC D12/43, 96, 190, 223, 317, 345,
D12/400-423; D7/330
CPC B60N 2/242; B60N 2/265; B60N 2/585;
B60N 2/6054; B60N 2205/00; B65D
1/22; E05B 67/006; E05B 73/0029; E05B
77/12
See application file for complete search history.

(56) **References Cited**

U.S. PATENT DOCUMENTS

- 3,273,822 A * 9/1966 Merrell B60R 22/38
242/382.6
- 3,311,409 A * 3/1967 Fisher B60R 22/3408
297/475
- 3,531,060 A * 9/1970 Foster B60R 22/19
24/114.5
- 3,659,801 A * 5/1972 Romanzi, Jr. B60R 22/34
297/475
- 4,277,037 A * 7/1981 Loose B60R 22/3416
242/384.7
- D266,923 S * 11/1982 Parks 114/211
- D272,314 S * 1/1984 Leibin D12/345
- 4,790,405 A * 12/1988 Kataoka B60R 22/06
280/808
- D461,089 S * 8/2002 Cheah D7/330

- D470,450 S * 2/2003 Olzak D12/400
- D485,225 S * 1/2004 Montgomery D12/317
- D501,442 S * 2/2005 Hutchinson D12/345
- D555,569 S * 11/2007 Buettner D12/223
- D573,524 S * 7/2008 Smith D12/223
- D583,299 S * 12/2008 Manson D12/421
- D638,346 S * 5/2011 Loynds D12/407
- D678,174 S * 3/2013 Wass D12/418

(Continued)

FOREIGN PATENT DOCUMENTS

RU 00088725 * 5/2014

OTHER PUBLICATIONS

Deluxe & Some Standard Seat Belt Retractor Cover RCF-300 General Safety Code, available in Amazon.com, announced Year 2020 [online], [site visited Jul. 12, 2022], Internet URL: https://www.amazon.com/Deluxe-Standard-Retractor-RCF-300-General/dp/B08BX9JMD8/ref=sr_1_91?crd=2WJIHBSNRALSH&keywords=Seat+Belt...

(Continued)

Primary Examiner — Darlington Ly
Assistant Examiner — D. Ryan Tisdale
(74) *Attorney, Agent, or Firm* — Bay State IP, LLC

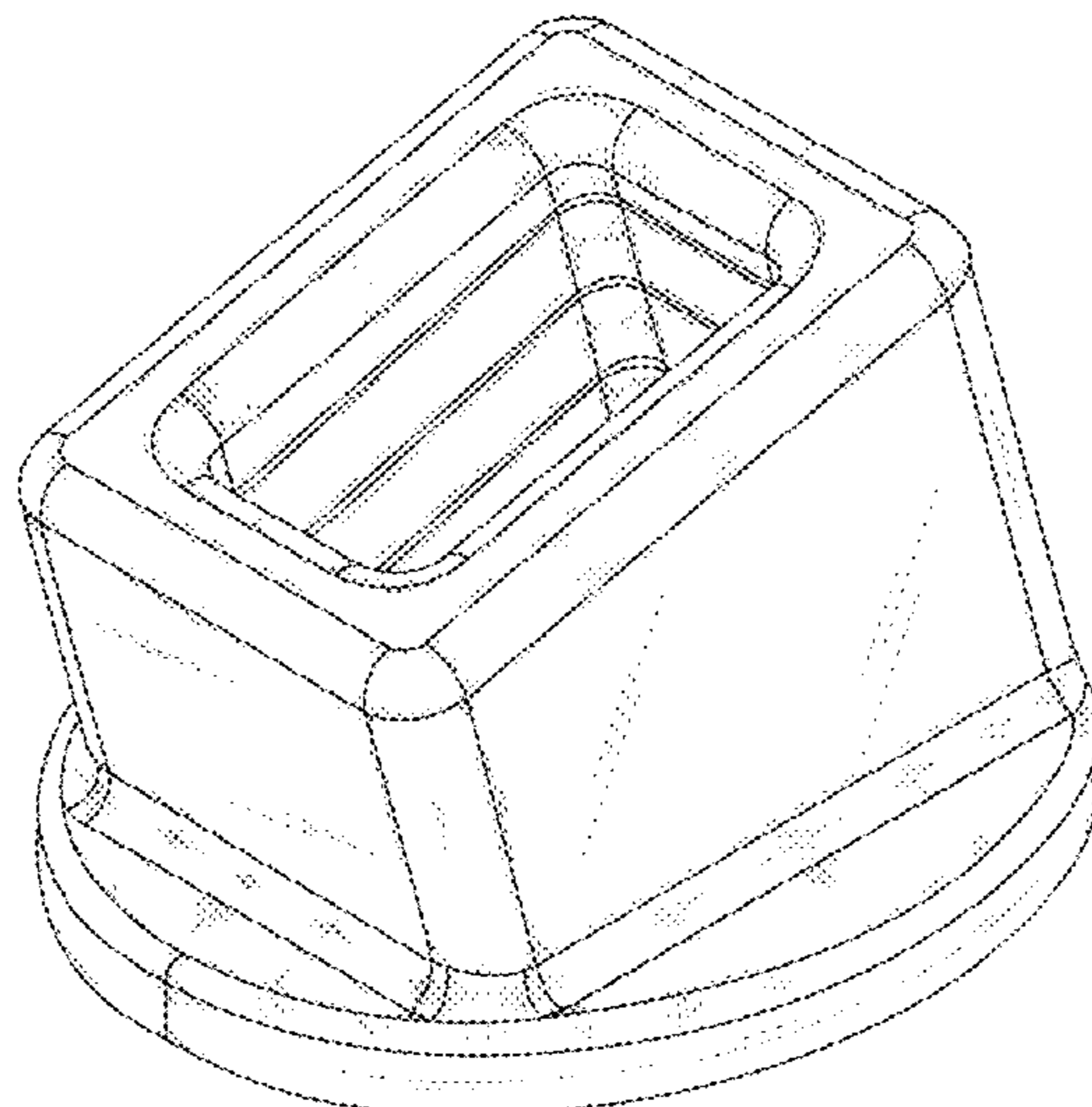
(57) **CLAIM**

The ornamental design for a car seat belt slot bracket, as shown and described.

DESCRIPTION

FIG. 1 is a top, front, and right side perspective view of a car seat belt slot bracket embodying my new design; FIG. 2 is a left side elevation view thereof; FIG. 3 is a bottom plan view thereof; FIG. 4 is a rear elevation view thereof; FIG. 5 is a front elevation view thereof; FIG. 6 is a right side elevation view thereof; and, FIG. 7 is a top plan view thereof.

1 Claim, 7 Drawing Sheets



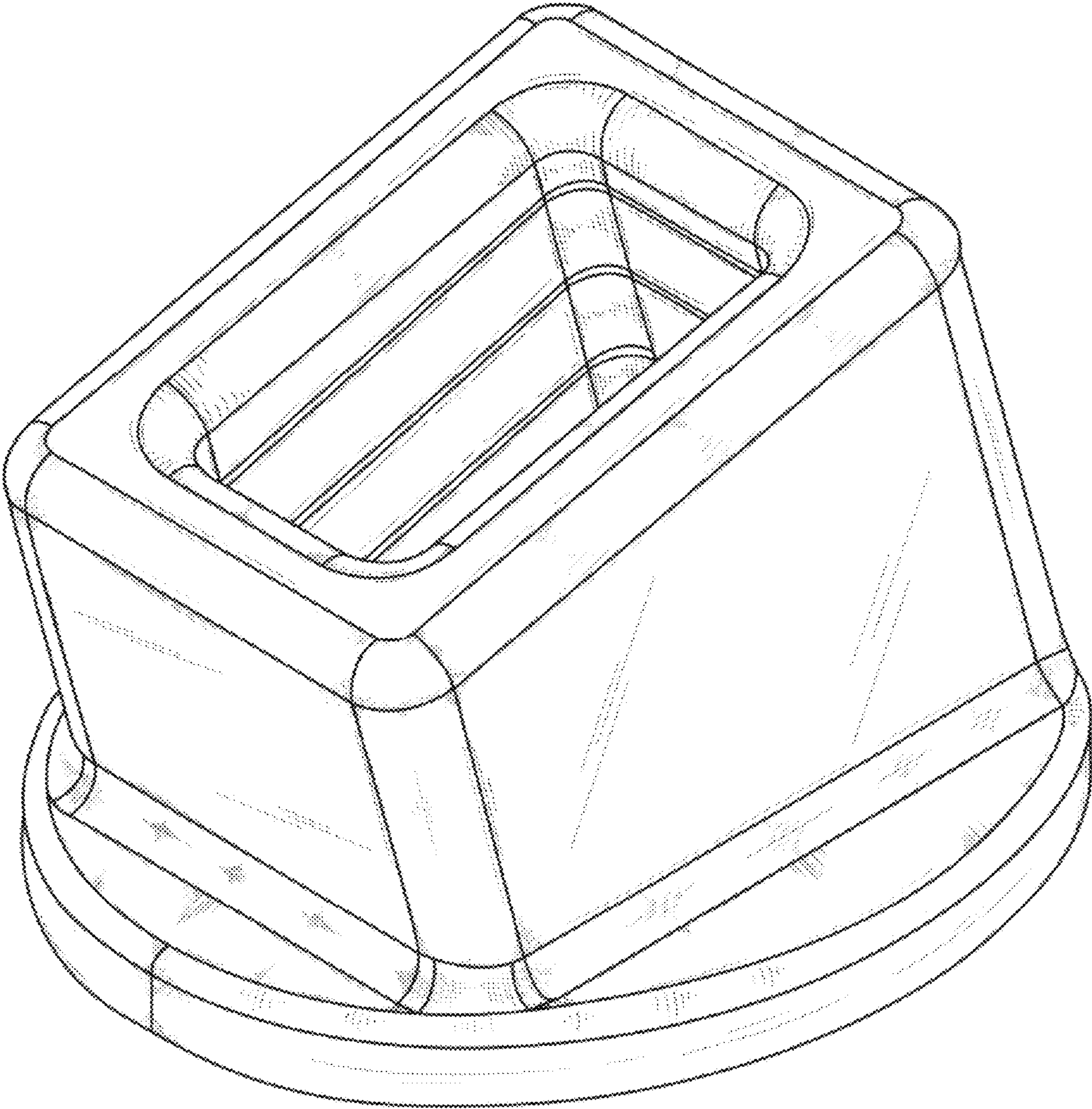


Fig. 1

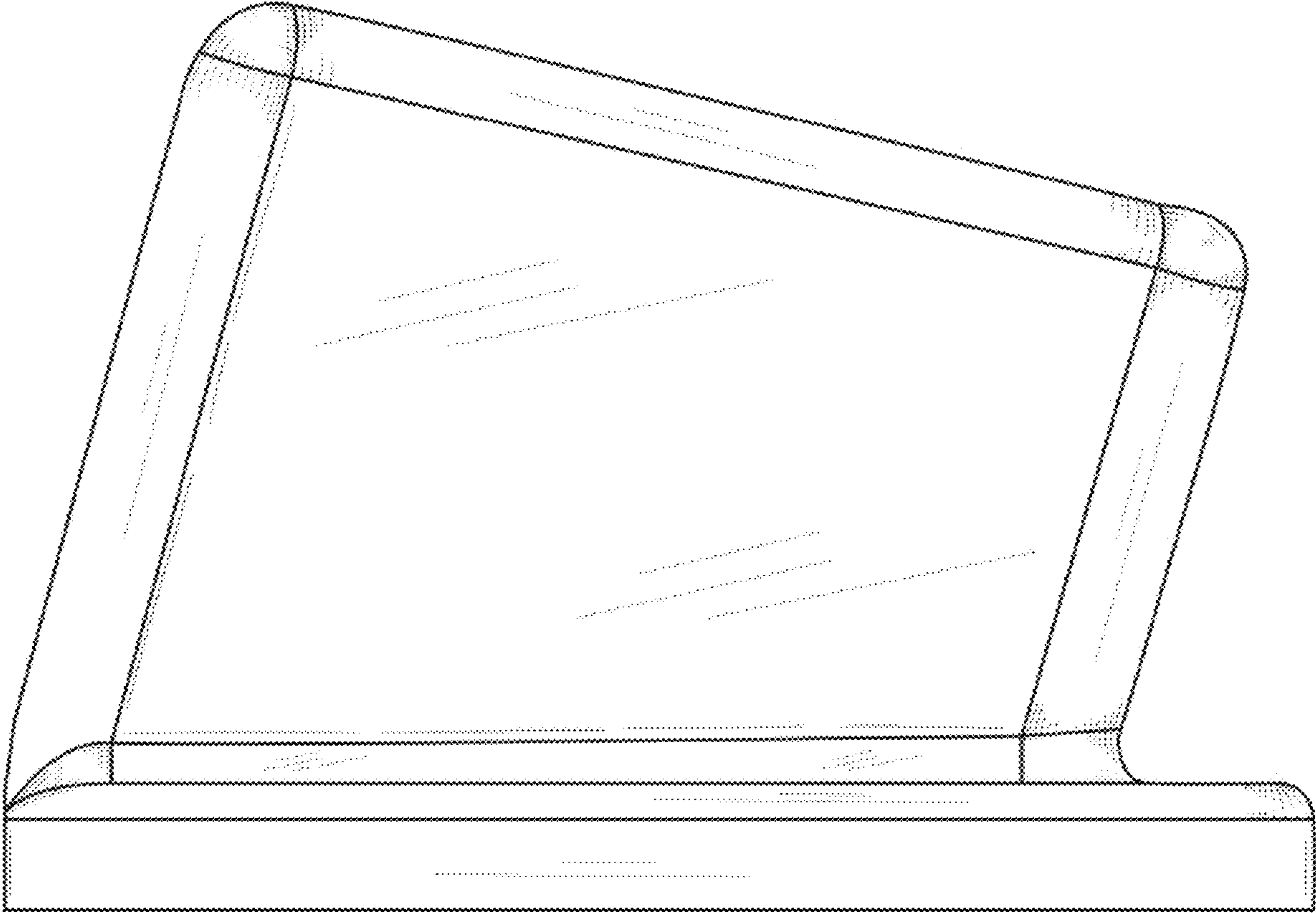


Fig. 2

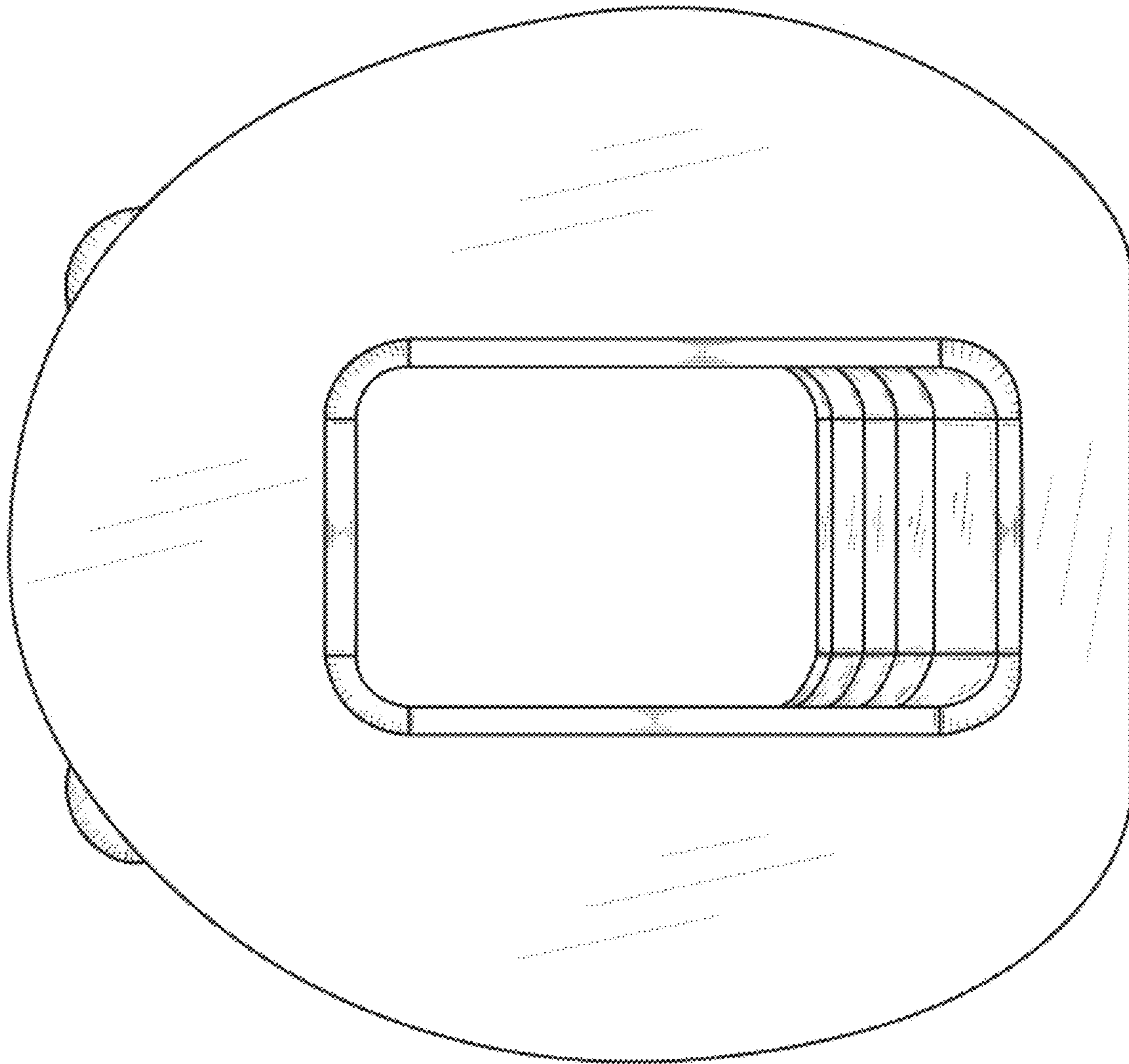


Fig. 3

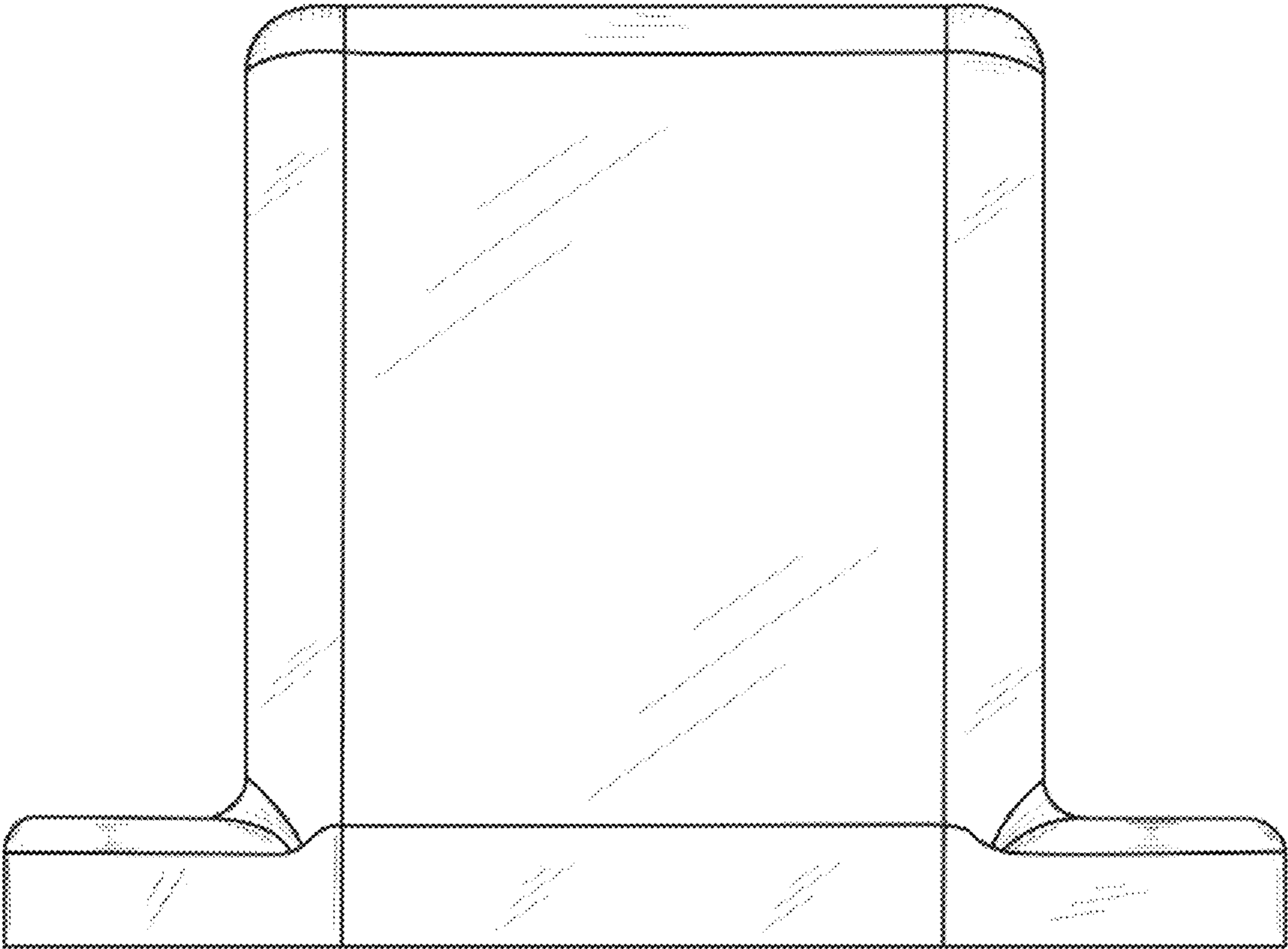


Fig. 4

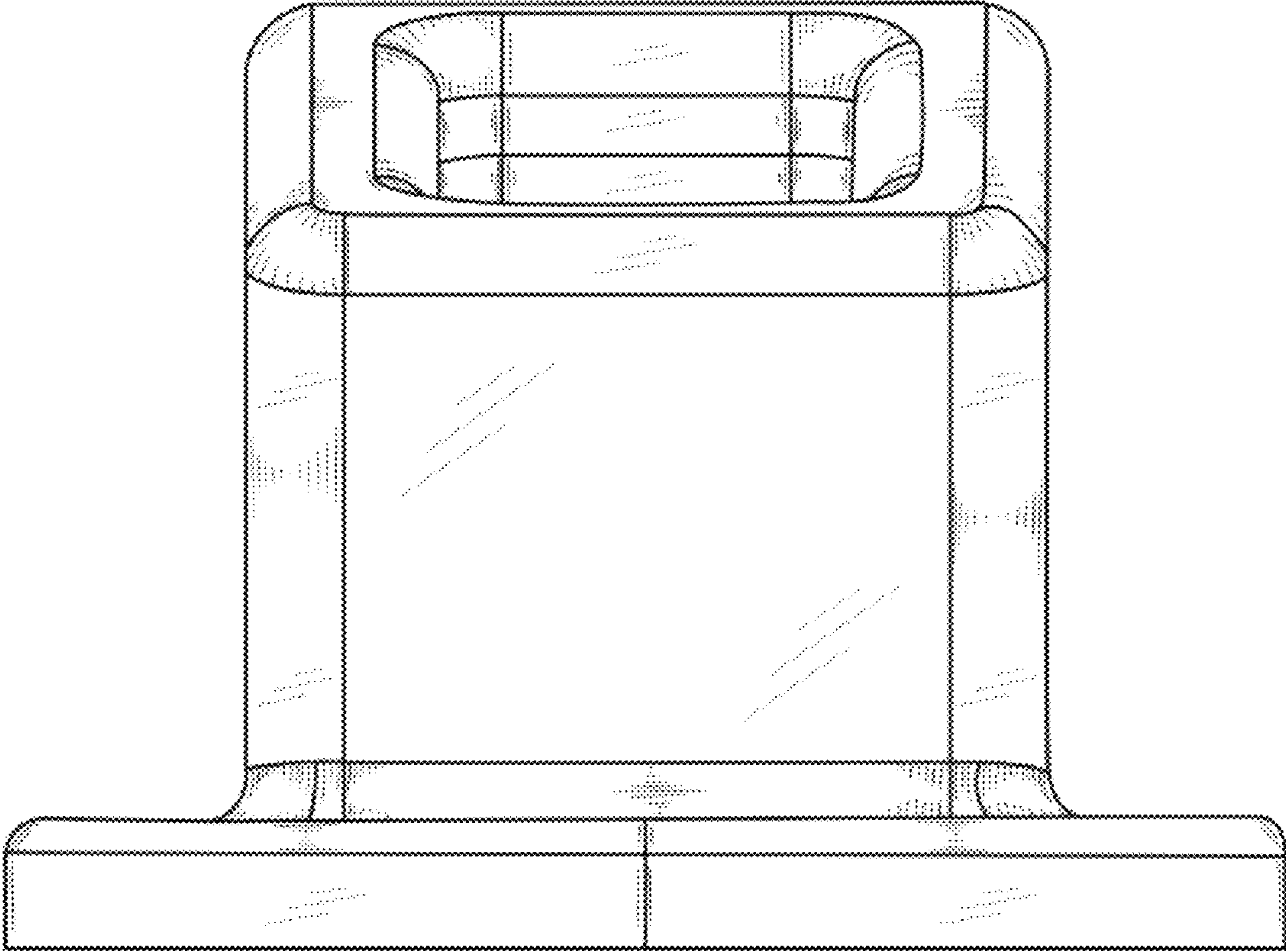


Fig. 5

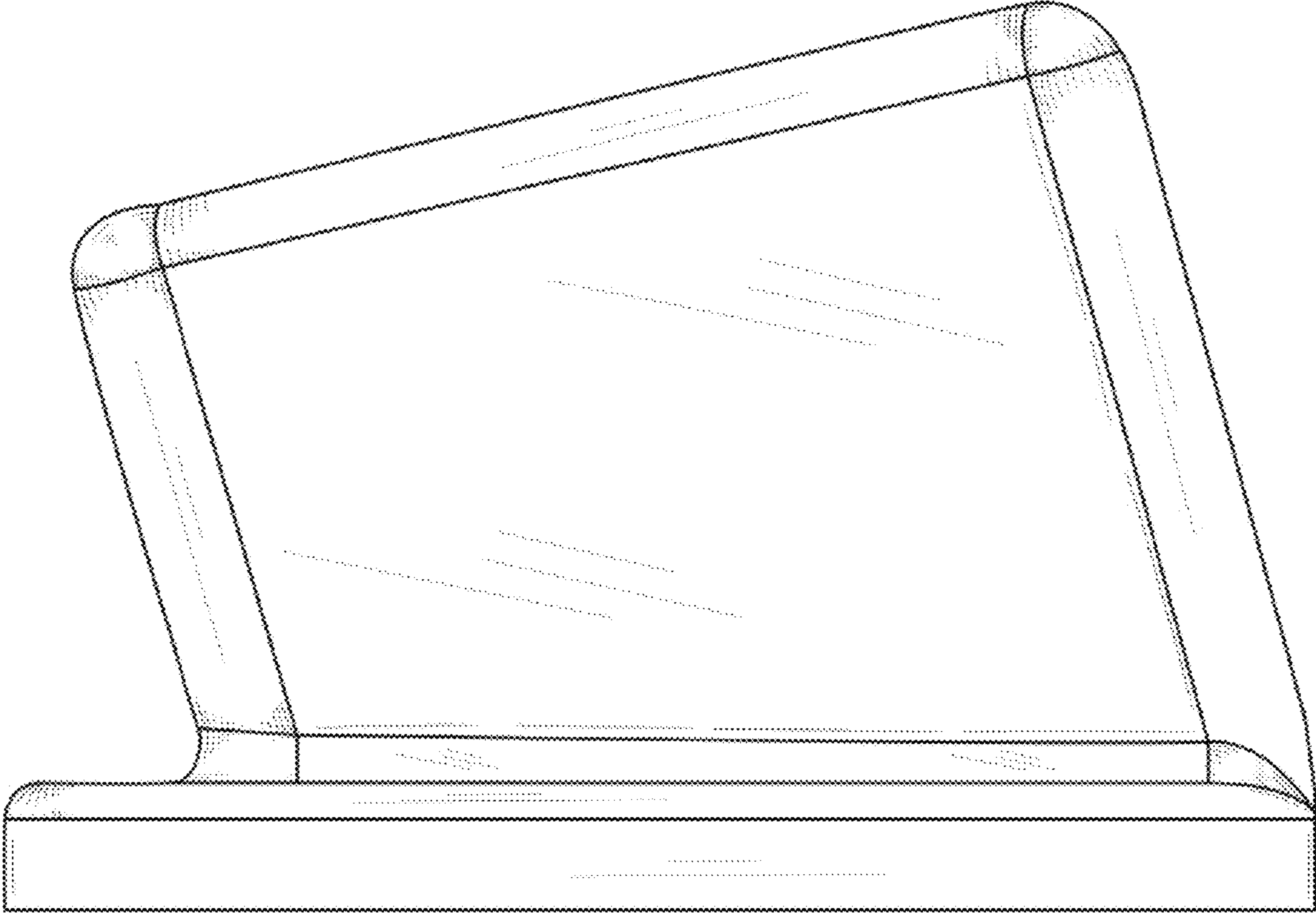


Fig. 6

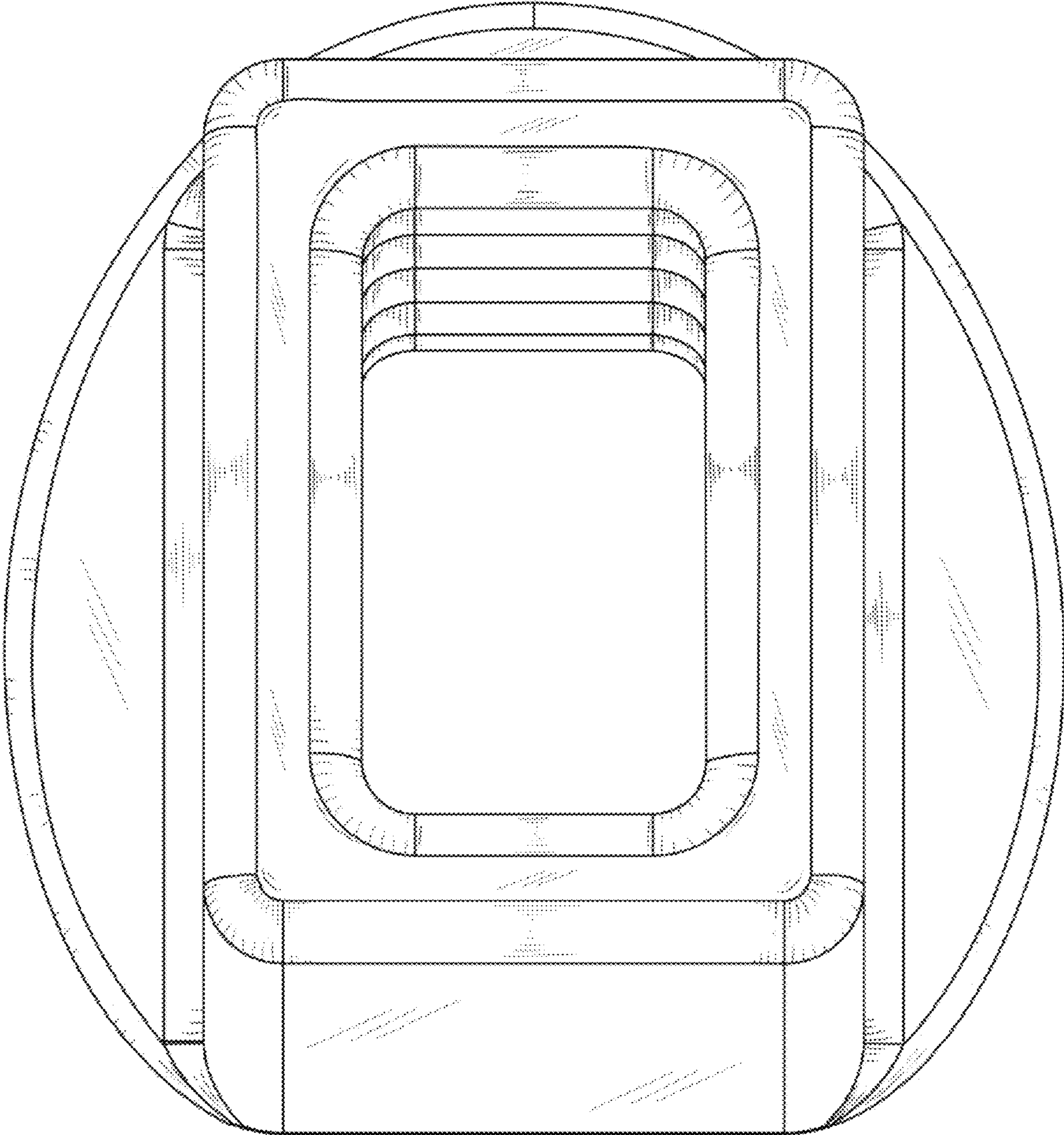


Fig. 7