



US00D972483S

(12) **United States Design Patent** (10) **Patent No.:** **US D972,483 S**
Sullivan et al. (45) **Date of Patent:** **** Dec. 13, 2022**

(54) **MODULAR BED SYSTEM FOR VEHICLE CARGO AREA**

(71) Applicants: **Royce Sullivan**, Temecula, CA (US);
Jerry Stanley Sullivan, Temecula, CA (US)

(72) Inventors: **Royce Sullivan**, Temecula, CA (US);
Jerry Stanley Sullivan, Temecula, CA (US)

(**) Term: **15 Years**

(21) Appl. No.: **29/833,489**

(22) Filed: **Apr. 4, 2022**

(51) **LOC (13) Cl.** **12-16**

(52) **U.S. Cl.**
USPC **D12/221**

(58) **Field of Classification Search**
USPC D12/406-414, 414.1, 400, 221, 157, 423
CPC .. A01K 29/00; B60R 5/04; B60R 9/00; B60R 9/06; B60R 7/02; B60R 11/06; B60P 1/003; B60P 3/14
See application file for complete search history.

(56) **References Cited**

U.S. PATENT DOCUMENTS

3,181,911 A	5/1965	Peras
3,246,347 A	4/1966	Mason
3,570,025 A	3/1971	Sullivan
3,604,022 A	9/1971	Smith
3,946,678 A	3/1976	Birge, II
4,005,898 A	2/1977	Way
4,190,911 A	3/1980	Wadsworth
4,199,188 A	4/1980	Albrecht
4,200,329 A	4/1980	Inami
4,231,144 A	11/1980	Bernacchia, Jr.
4,505,509 A	3/1985	Simeri
4,573,225 A	3/1986	Wolf
4,779,917 A	10/1988	Campbell

(Continued)

OTHER PUBLICATIONS

“Bambeds: A Modular Truck Bed Sleeping Platform” TrailTacoma., posted date Jun. 30, 2022 [online], [retrieved on Sep. 27, 2022]. Retrieved from the Internet: <URL: <https://trailtacoma.com/2022/06/30/bambeds-modular-truck-bed-sleeping-platform-2nd-gen-3rd-gen-tacoma/>> (Year: 2022).*

(Continued)

Primary Examiner — Darlington Ly

Assistant Examiner — Nasim Abdulaziz Ali

(74) *Attorney, Agent, or Firm* — Quickpatents, LLC; Kevin Prince

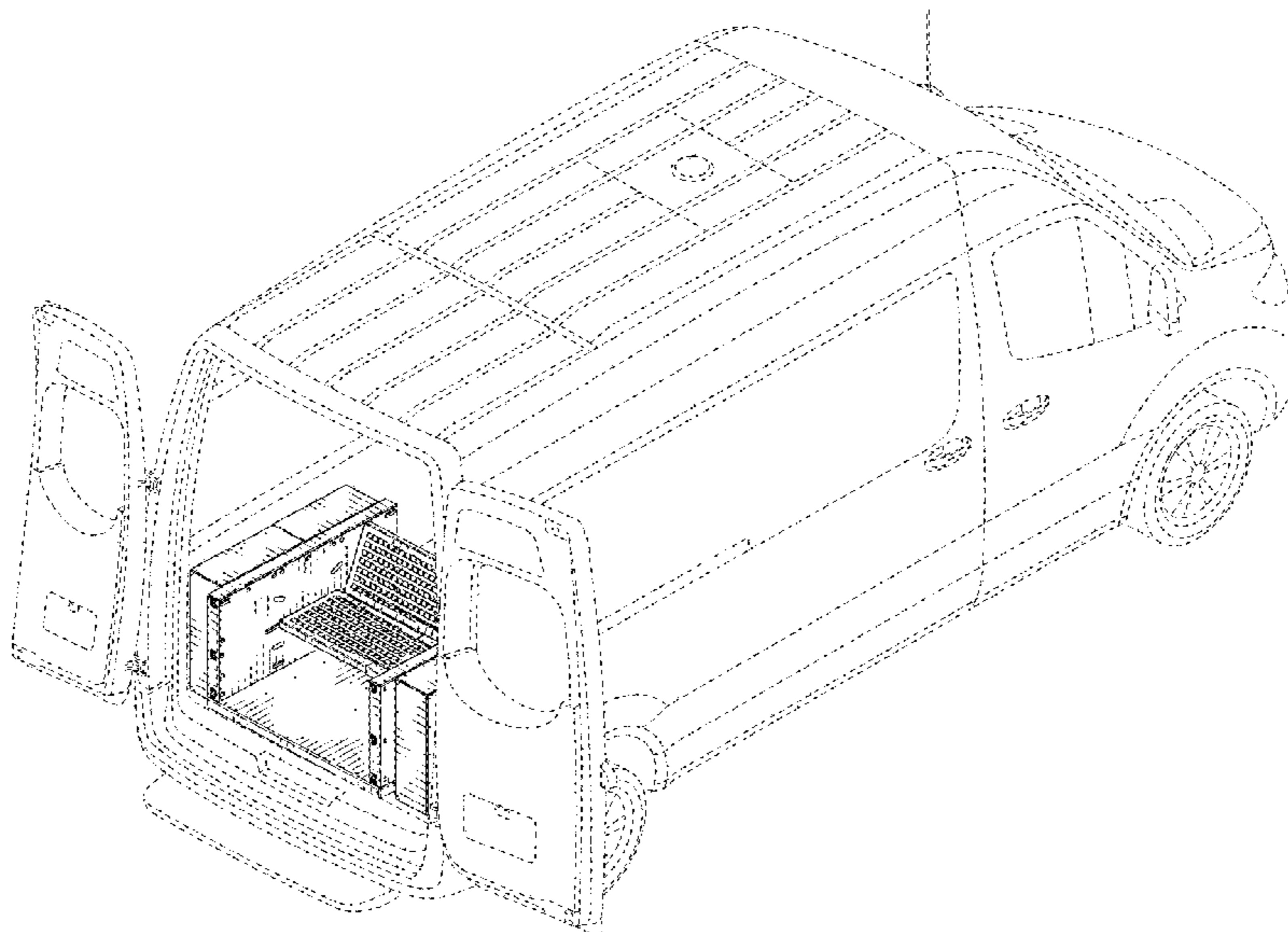
(57) **CLAIM**

The ornamental design for a modular bed system for vehicle cargo area, as shown and described.

DESCRIPTION

FIG. 1 is a top perspective view of a modular bed system for vehicle cargo area, showing my new design in a seat configuration;
FIG. 2 is a top perspective view thereof, illustrated in a lounge configuration;
FIG. 3 is a top perspective view thereof, illustrated in a picnic bench configuration;
FIG. 4 is a top perspective view thereof, illustrated in a table configuration;
FIG. 5 is a front elevational view of FIG. 4, the rear elevational view being a mirror image thereof;
FIG. 6 is a left-side elevational view of FIG. 4, the right-side elevational view being a mirror image thereof;
FIG. 7 is an exploded perspective view of FIG. 4;
FIG. 8 is an exploded top plan view of FIG. 4;
FIG. 9 is a bottom perspective view of FIG. 4; and,
FIG. 10 is an exploded bottom perspective view thereof.
The broken lines showing a vehicle in FIG. 1 depict environmental matter and form no part of the claimed design.

1 Claim, 9 Drawing Sheets



(56)

References Cited

U.S. PATENT DOCUMENTS

D333,112 S * 2/1993 Diaco D12/221
 D339,779 S * 9/1993 Spica D12/221
 5,452,972 A 9/1995 Adams
 D397,322 S * 8/1998 Tobin D12/414
 5,967,054 A 10/1999 Rosenfeld
 6,270,137 B1 8/2001 Minix
 D483,314 S * 12/2003 Graves D12/221
 D692,712 S * 11/2013 Helser D6/705
 9,004,567 B2 4/2015 Gerhardt
 10,118,559 B2 11/2018 Dhillon
 10,421,407 B2 9/2019 Hughes
 D883,895 S * 5/2020 Kraenzel D12/221
 10,752,153 B2 * 8/2020 Medina B60N 3/008
 D906,219 S * 12/2020 Medina D12/221
 10,913,398 B2 2/2021 Hanley
 11,124,247 B2 * 9/2021 Sosnowich B62D 33/0207
 D958,047 S * 7/2022 Heinzelman D12/414.1
 2002/0101088 A1 * 8/2002 Rigau B60R 11/06
 296/37.6

2006/0180623 A1 8/2006 Reynolds
 2017/0210272 A1 * 7/2017 Shih A61G 7/018
 2019/0126836 A1 5/2019 Navarro
 2020/0070730 A1 3/2020 Gill
 2020/0114802 A1 4/2020 Laguana
 2021/0070214 A1 3/2021 Hoedl
 2021/0146844 A1 5/2021 Smith

OTHER PUBLICATIONS

“Moab Elevator Bed” Adventure Wagon., posted date Jun. 28, 2017 [online], [retrieved on Sep. 27, 2022]. Retrieved from the Internet: <URL: <https://adventurewagon.com/products/moab-elevator-bed>> (Year: 2017).*

“Tahoe, Interceptor Utility Explorer, Storage System” Dana Safety Supply., posted date May 15, 2019 [online], [retrieved on Sep. 27, 2022]. Retrieved from the Internet: <URL: <https://danasafetysupply.com/tahoe-interceptor-utility-explorer-suv-universal-storage-system-from-d-r-ts-01-2013-2021/>> (Year: 2019).*

* cited by examiner

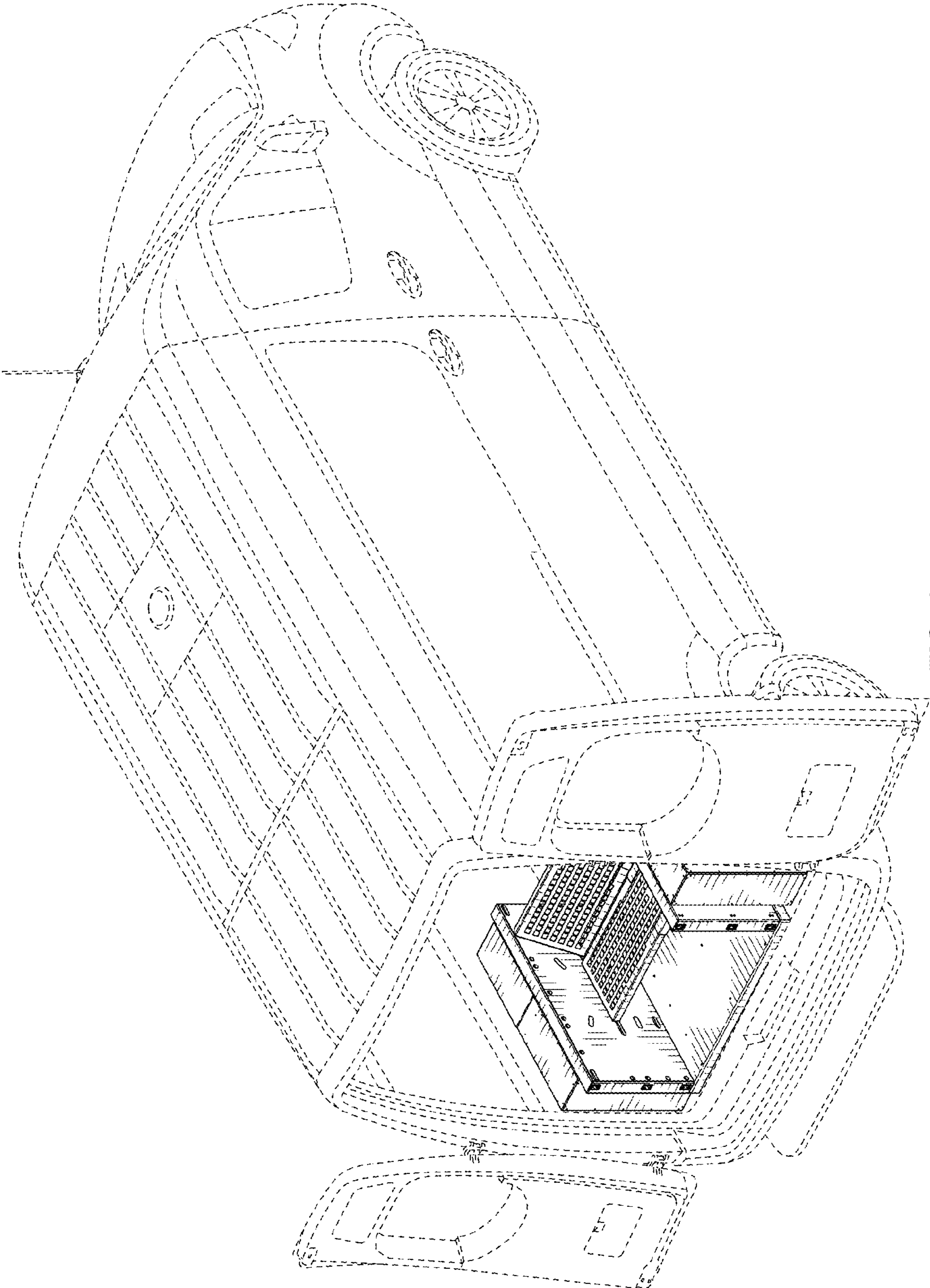


FIG. 1

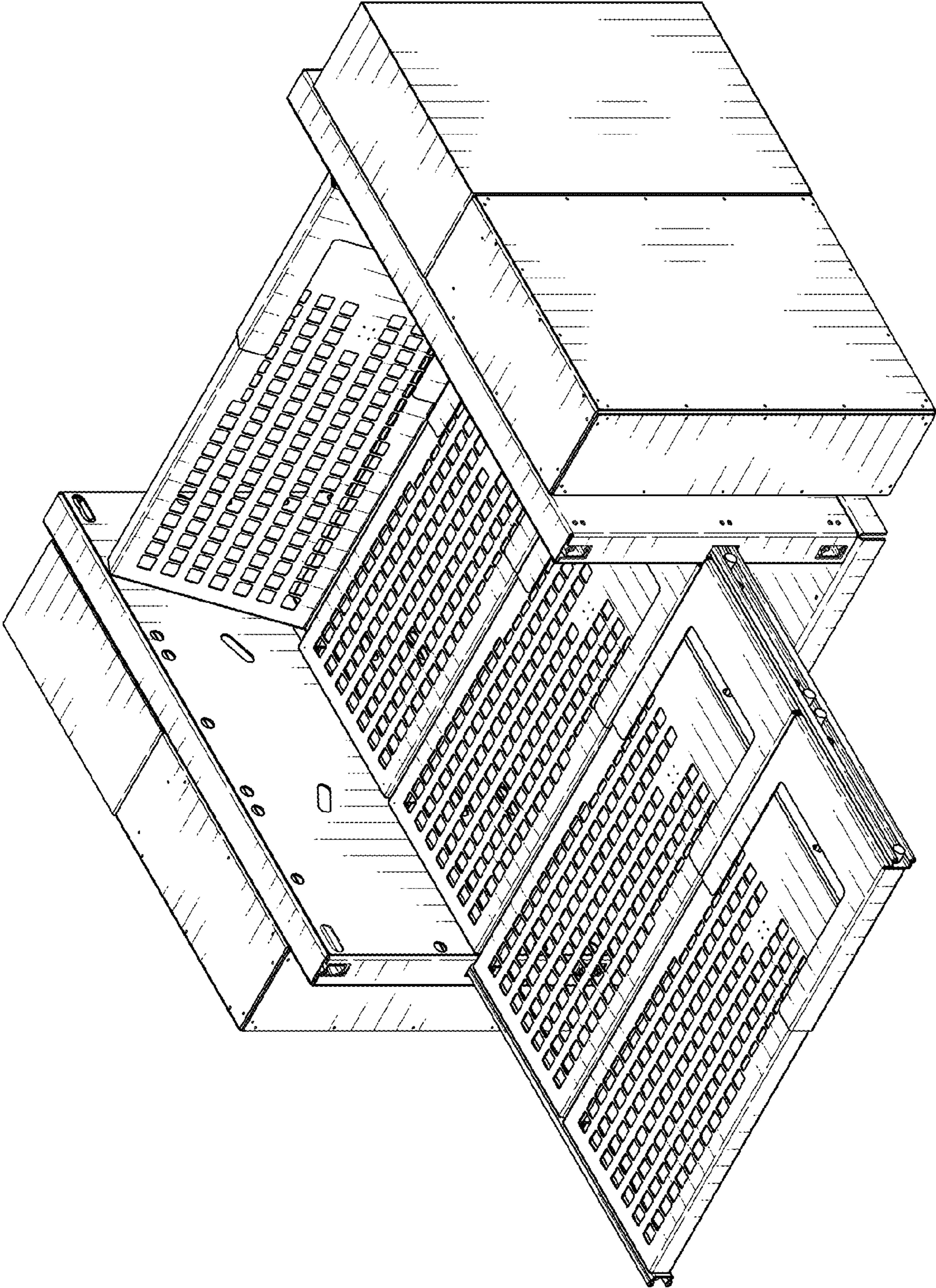


FIG. 2

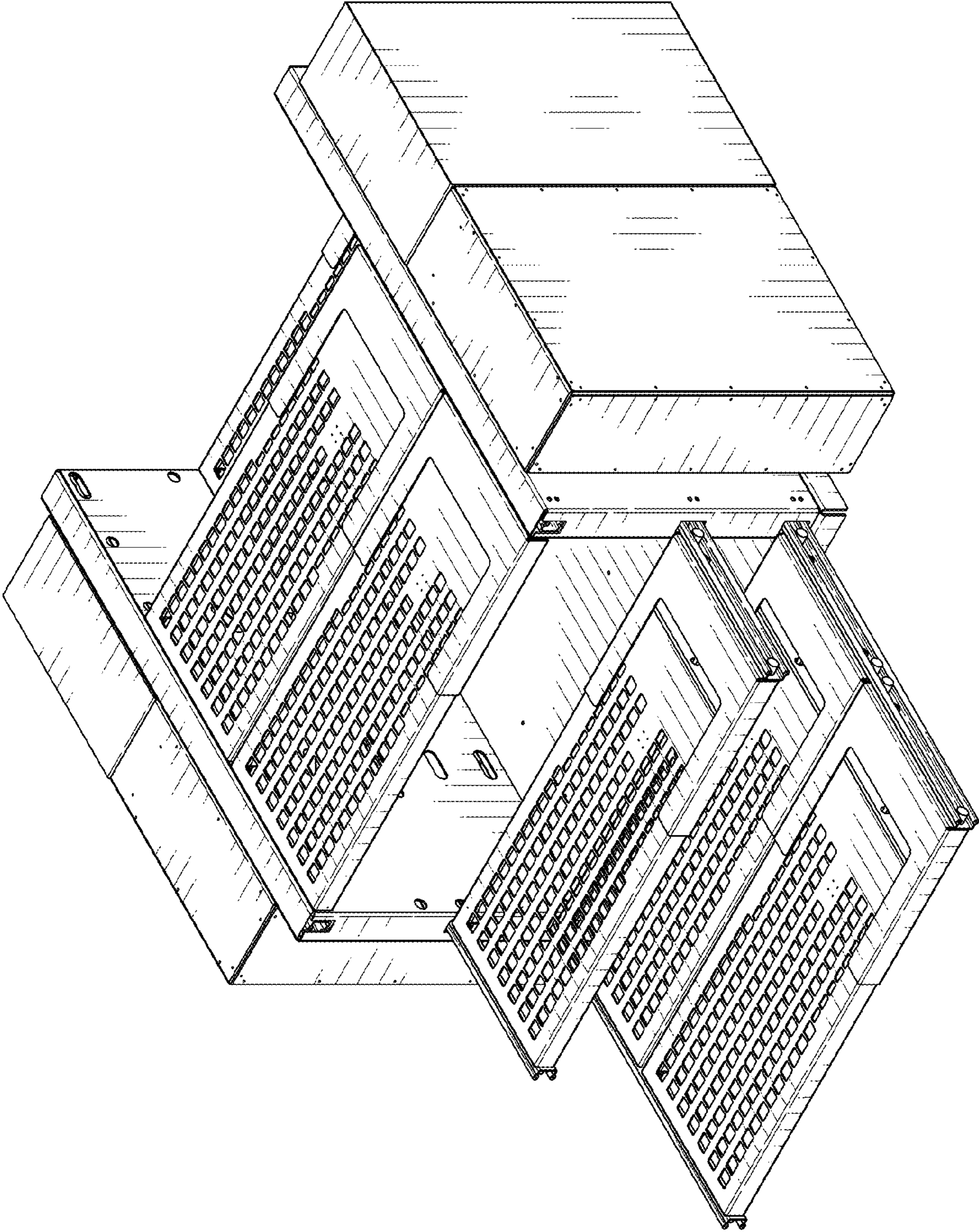


FIG. 3

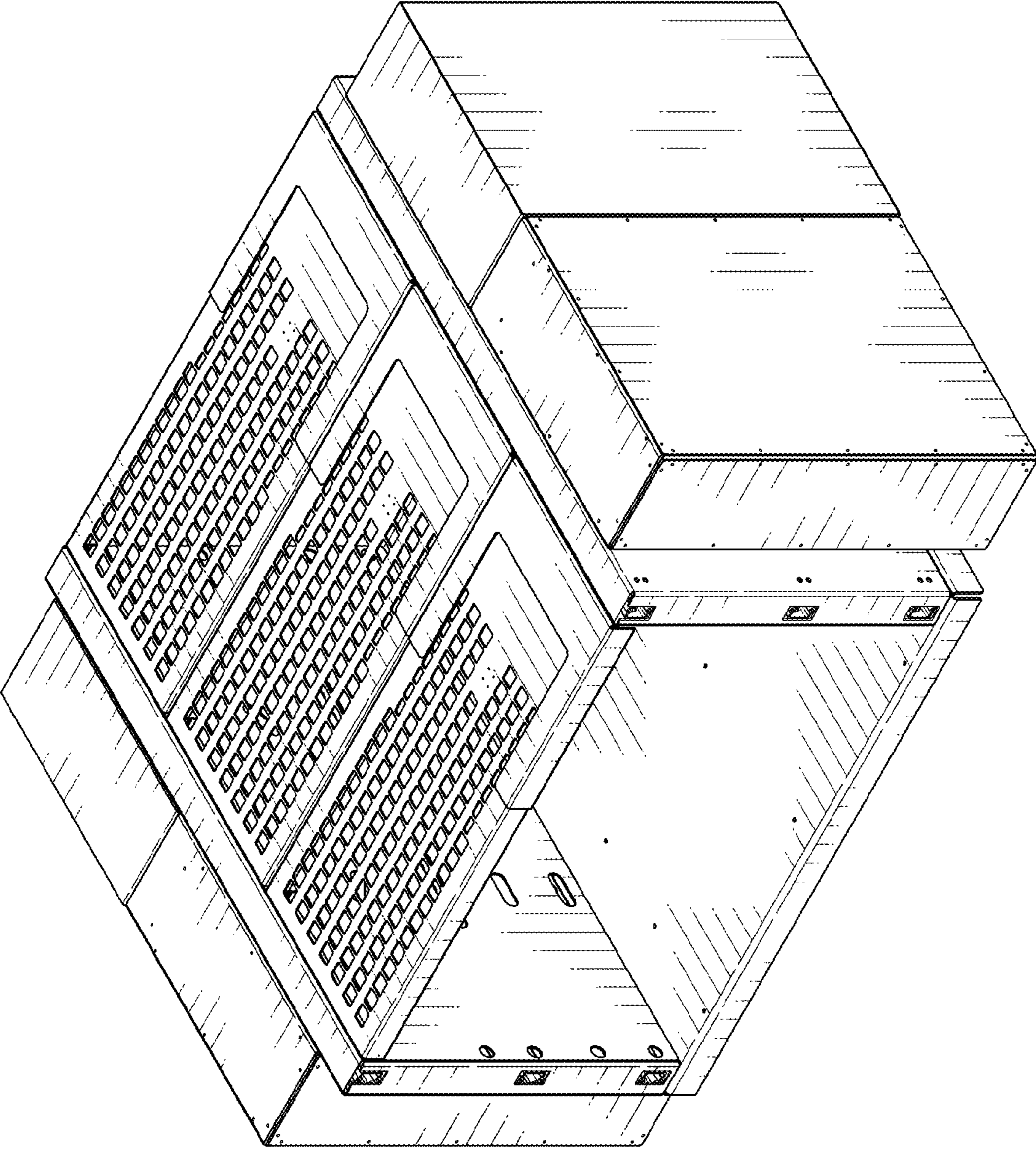


FIG. 4

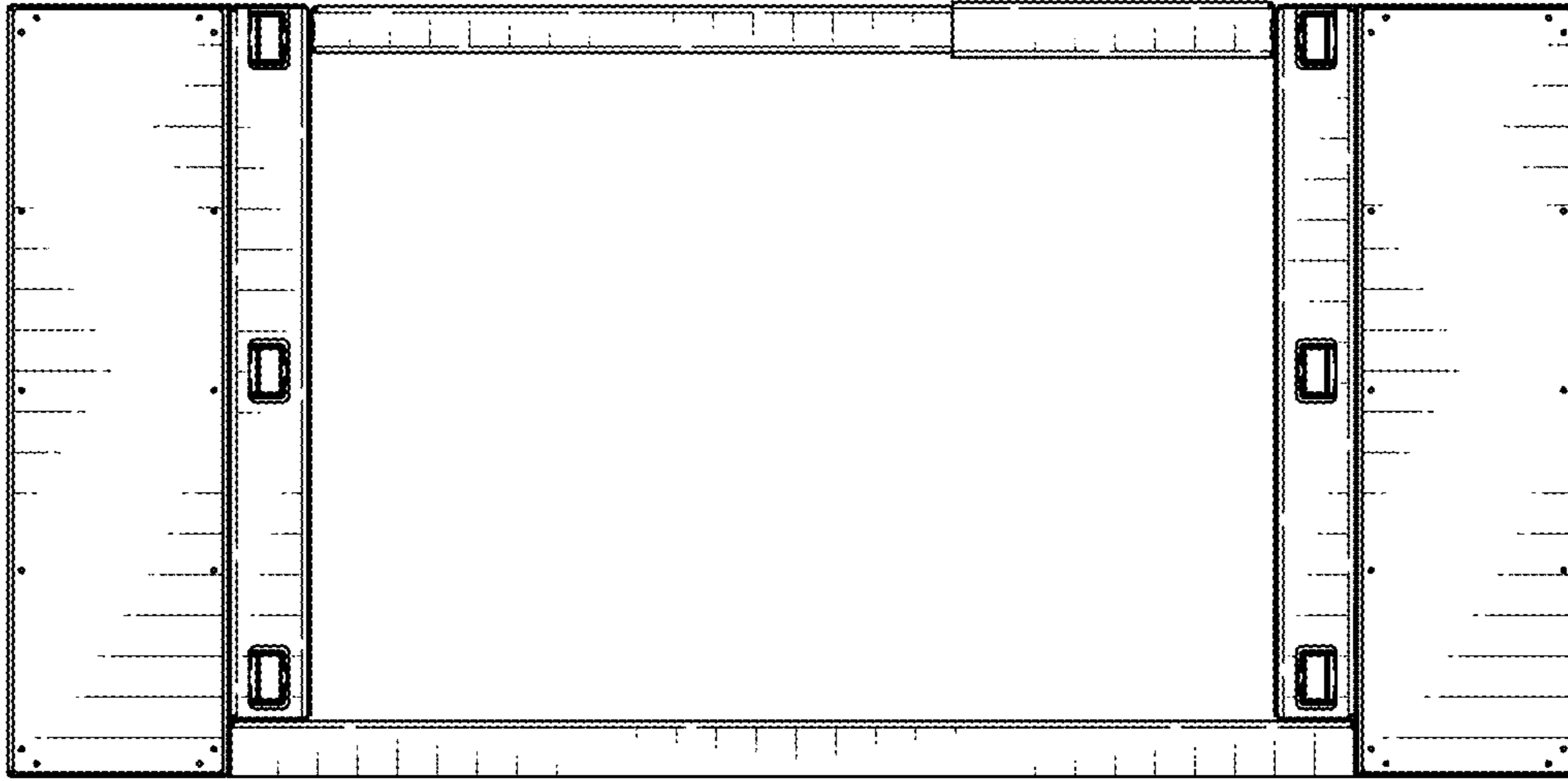


FIG. 5

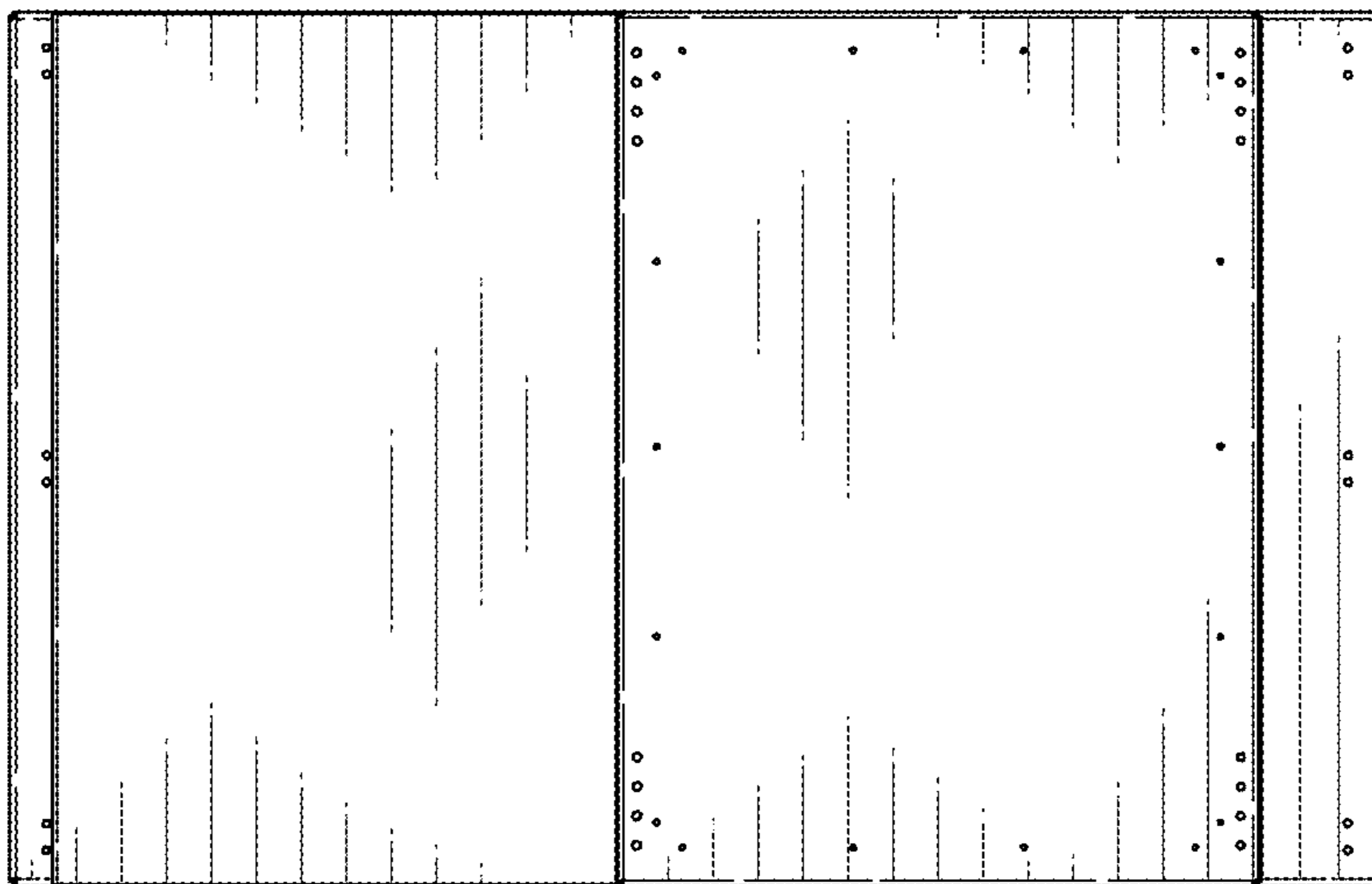


FIG. 6

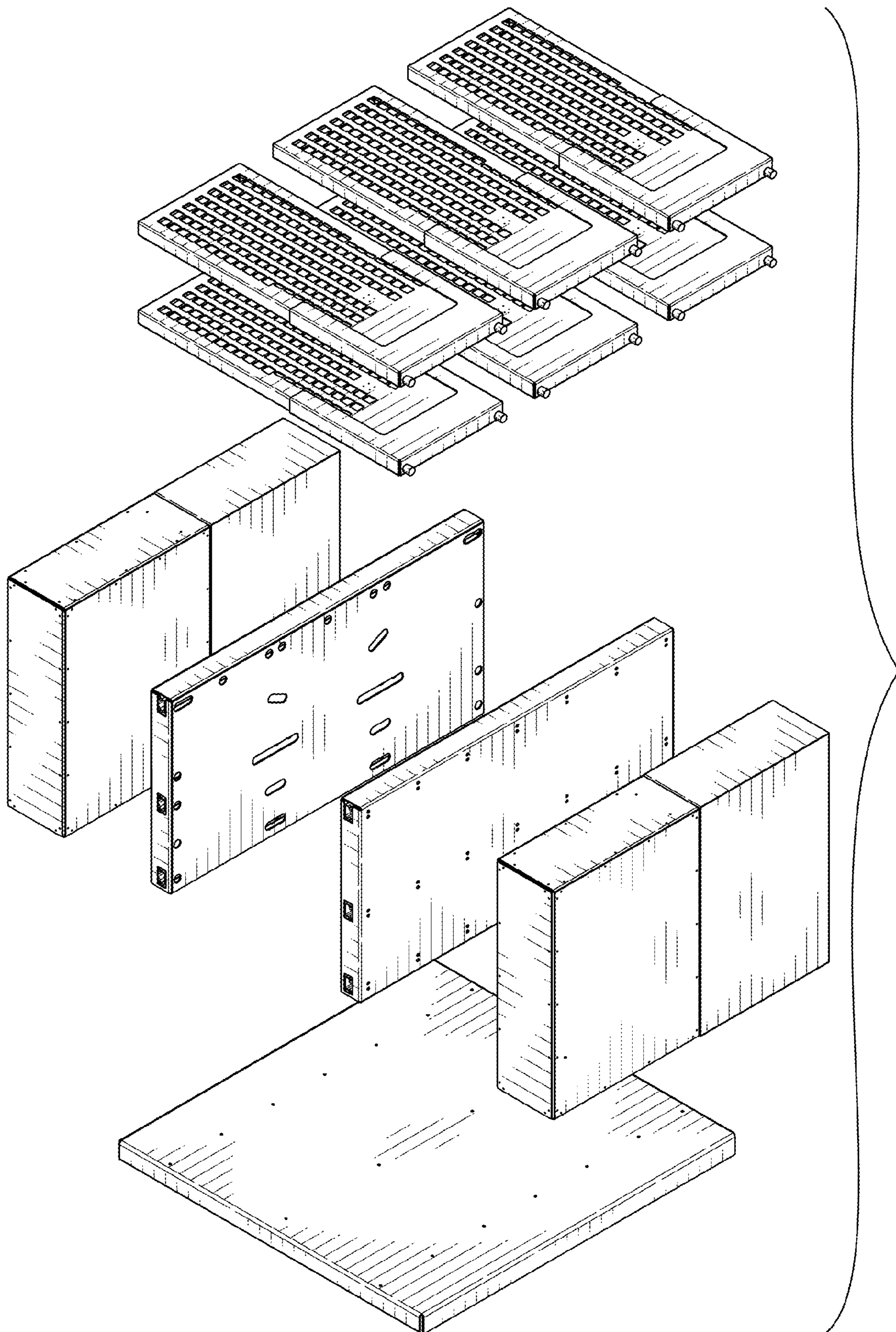


FIG. 7

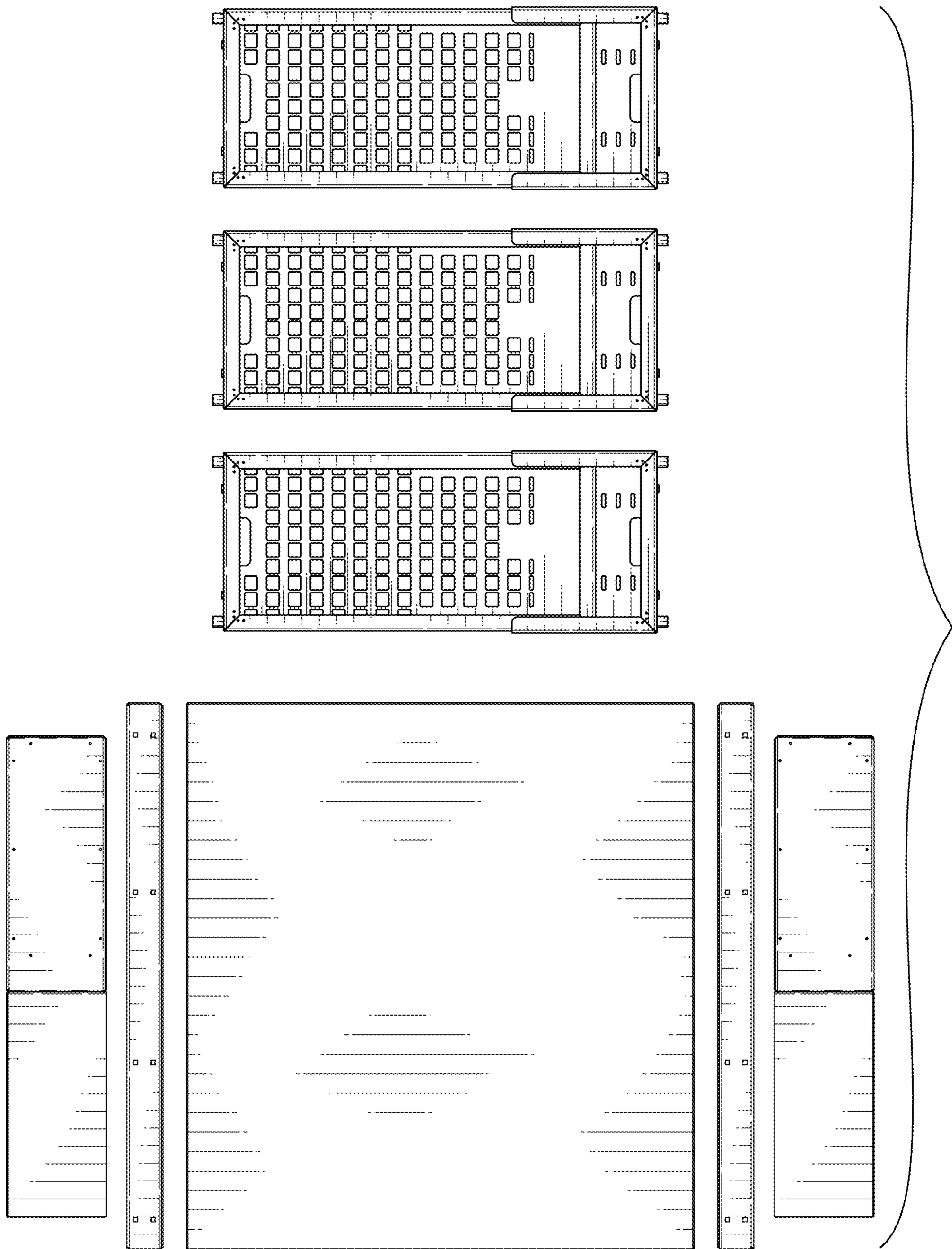


FIG. 8

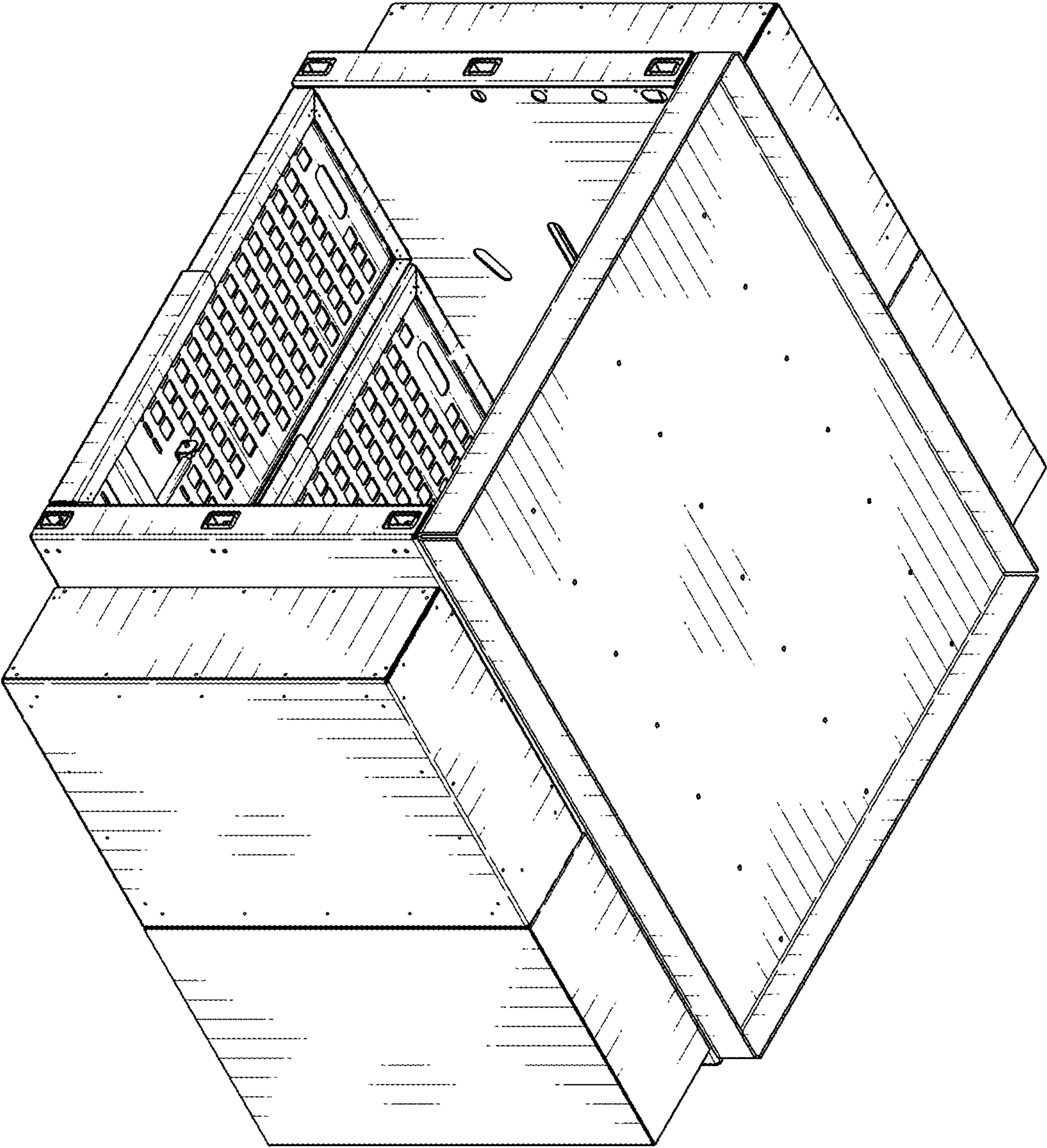


FIG. 9

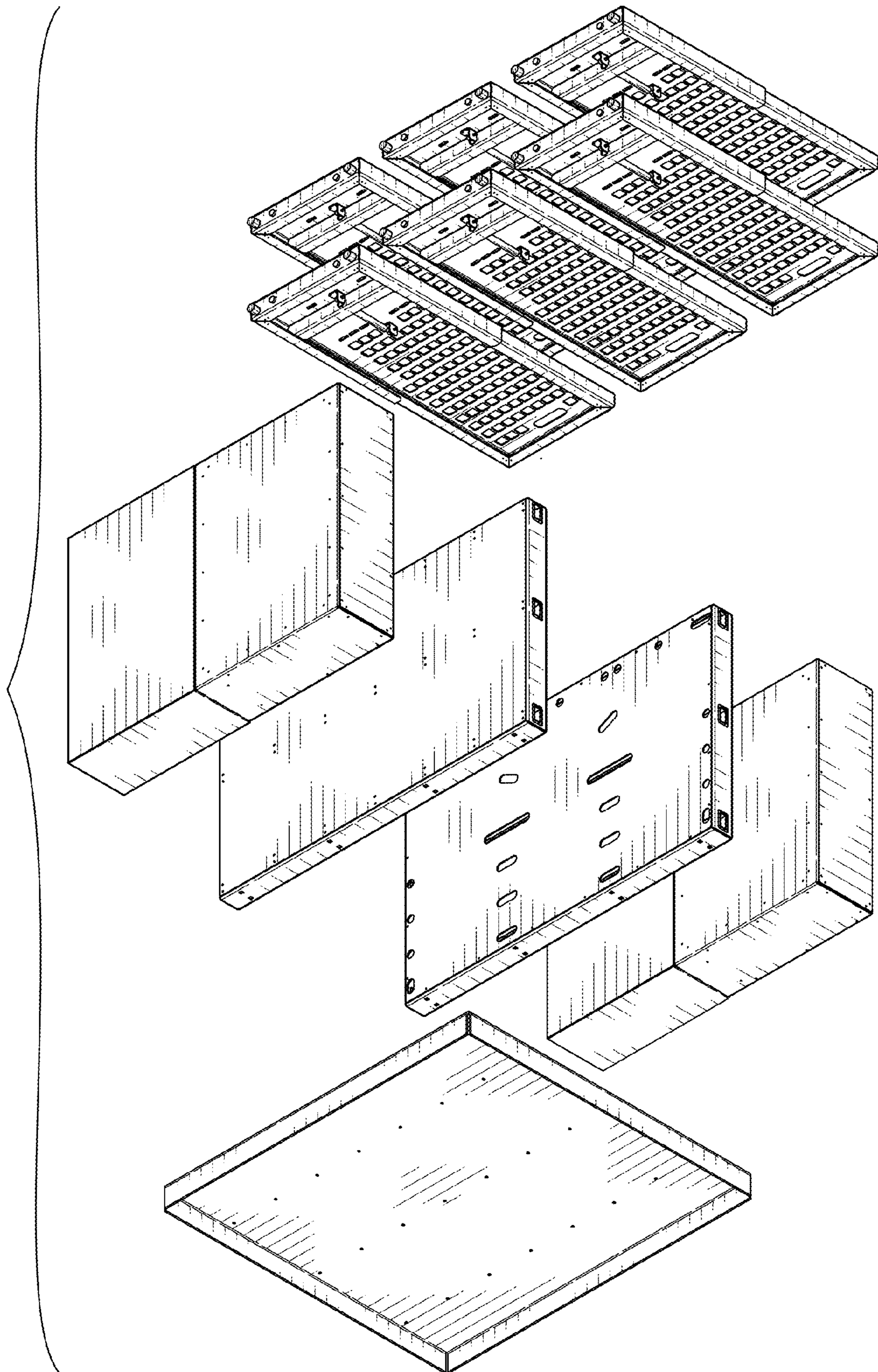


FIG. 10