



US00D972482S

(12) **United States Design Patent**  
**Han**

(10) **Patent No.:** **US D972,482 S**

(45) **Date of Patent:** **\*\* Dec. 13, 2022**

(54) **AUTOMOTIVE WHEEL**

FOREIGN PATENT DOCUMENTS

(71) Applicant: **Donnie Han**, Irvine, CA (US)

CN 305743128 \* 4/2020

CN 306149004 \* 11/2020

(72) Inventor: **Donnie Han**, Irvine, CA (US)

EM 007483490-0001 \* 2/2020

WO D210912-001 \* 10/2020

(\*\*) Term: **15 Years**

OTHER PUBLICATIONS

(21) Appl. No.: **29/766,282**

(22) Filed: **Jan. 14, 2021**

Rebel 8 Bronze w/ Black Lip, available in [tirerack.com](https://www.tirerack.com), announced Year 2022 [online], [site visited Aug. 15, 2022], Internet URL: <https://www.tirerack.com/wheels/fuel-off-road-rebel-8-bronze-w-black-lip>.\*

(51) **LOC (13) Cl.** ..... **12-16**

(52) **U.S. Cl.**

USPC ..... **D12/211**

\* cited by examiner

(58) **Field of Classification Search**

USPC ..... D12/204–213; D21/563

CPC .... B60B 7/00; B60B 7/02; B60B 7/04; B60B

7/06; B60B 3/02; B60B 3/04; B60B 3/06;

B60B 3/10; B60B 1/00; B60B 1/08;

B60B 1/10; B60B 1/12

See application file for complete search history.

*Primary Examiner* — Darlington Ly

*Assistant Examiner* — D. Ryan Tisdale

(57) **CLAIM**

The ornamental design for an automotive wheel, as shown and described.

(56) **References Cited**

U.S. PATENT DOCUMENTS

D634,689 S \* 3/2011 Futschik ..... D12/211

D741,773 S \* 10/2015 Juergens ..... D12/211

D768,047 S \* 10/2016 Hans ..... D12/211

D782,954 S \* 4/2017 Liffick ..... D12/211

D833,941 S \* 11/2018 Chung ..... D12/209

D912,589 S \* 3/2021 Hale, Jr. .... D12/209

D940,040 S \* 1/2022 Han ..... D12/209

D942,359 S \* 2/2022 Jónás ..... B60B 3/02

D12/209

2019/0217659 A1\* 7/2019 Dellock ..... B60B 7/08

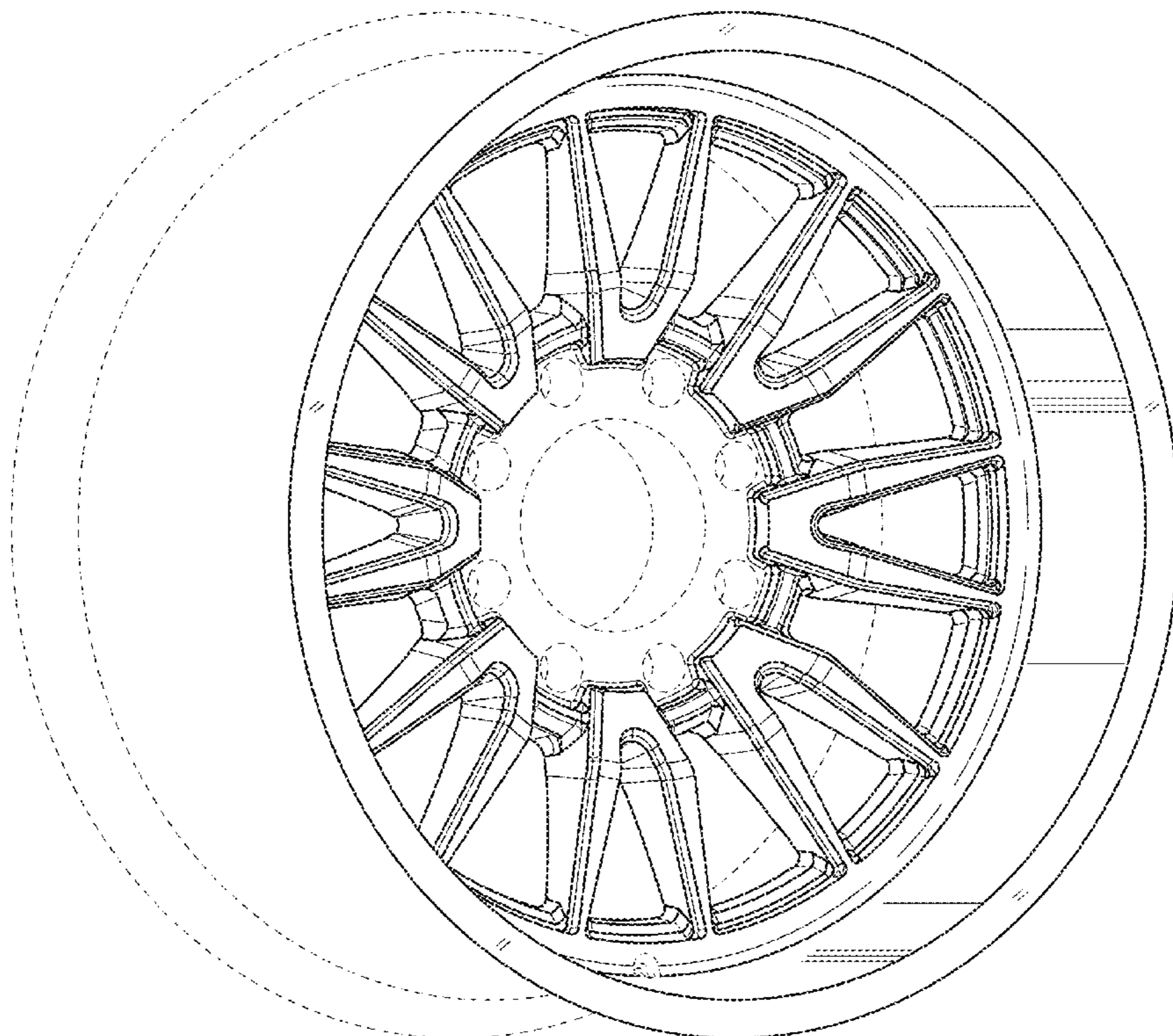
**DESCRIPTION**

FIG. 1 is a perspective view of an automotive wheel, showing my new design; and,

FIG. 2 is a front view thereof.

In the drawings, the portions of the wheel shown in broken lines form no part of the claimed design.

**1 Claim, 2 Drawing Sheets**



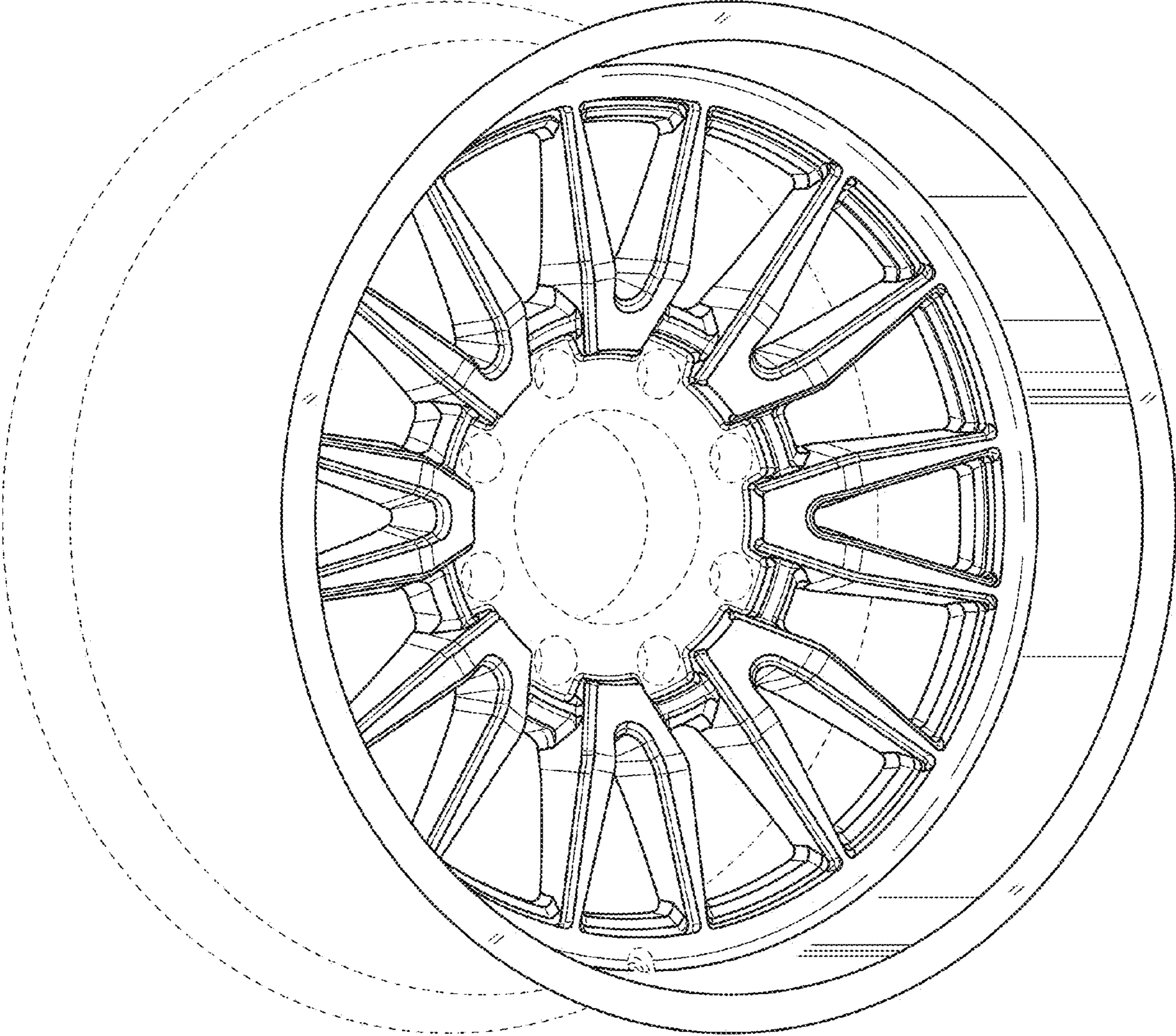


FIGURE 1



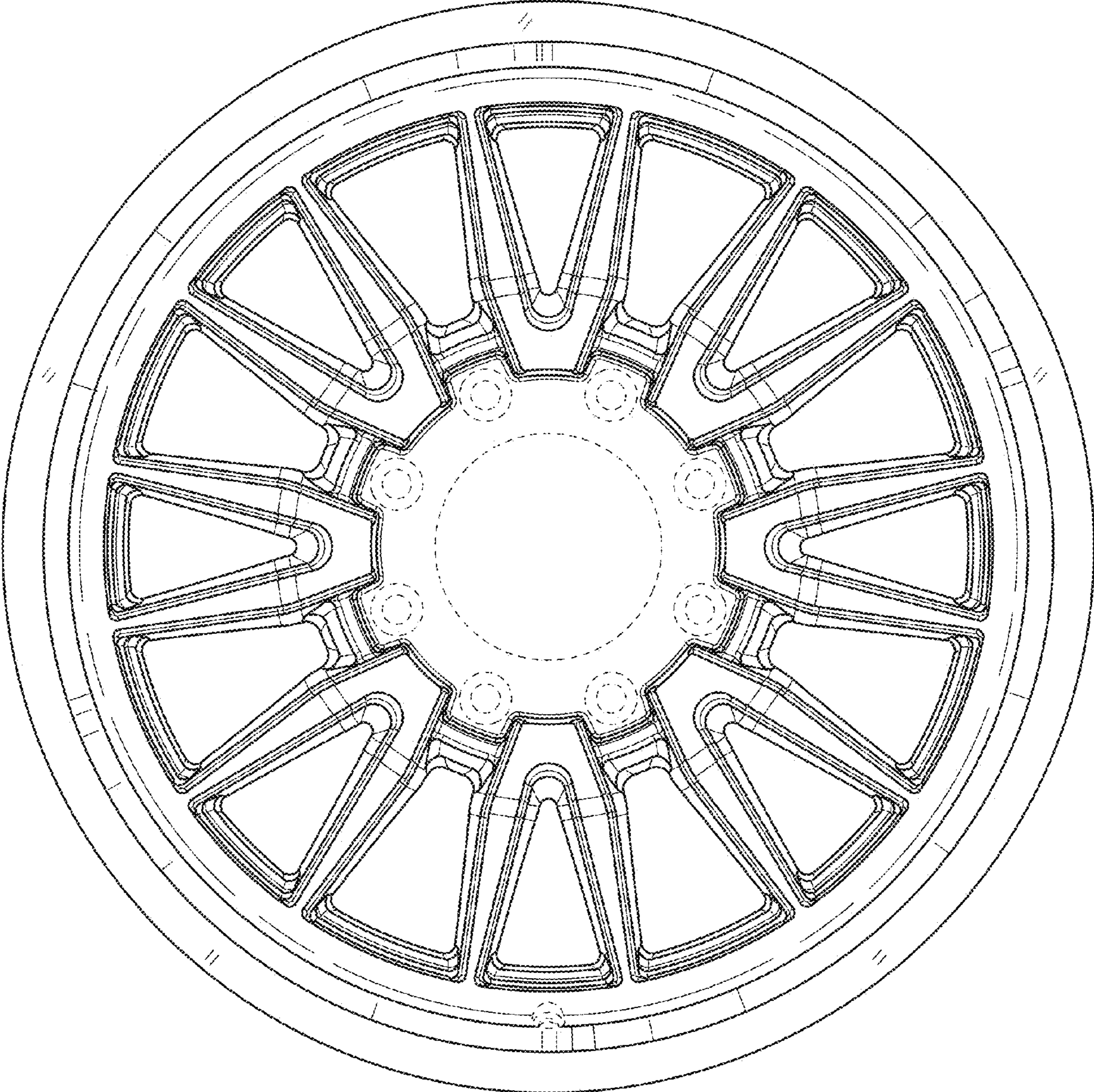


FIGURE 2