



US00D972481S

(12) **United States Design Patent**
Han

(10) **Patent No.:** **US D972,481 S**

(45) **Date of Patent:** **** Dec. 13, 2022**

(54) **AUTOMOTIVE WHEEL**

(71) Applicant: **Donnie Han**, Corona, CA (US)

(72) Inventor: **Donnie Han**, Corona, CA (US)

(**) Term: **15 Years**

(21) Appl. No.: **29/703,138**

(22) Filed: **Aug. 23, 2019**

(51) **LOC (13) Cl.** **12-16**

(52) **U.S. Cl.**

USPC **D12/211**

CPC **B60B 1/00** (2013.01)

(58) **Field of Classification Search**

USPC D12/204–213; D21/563

CPC B60B 7/00; B60B 7/02; B60B 7/04; B60B

7/01; B60B 7/06; B60B 3/02; B60B 3/04;

B60B 3/06; B60B 3/10; B60B 1/00;

B60B 1/08; B60B 1/10; B60B 1/12

See application file for complete search history.

(56) **References Cited**

U.S. PATENT DOCUMENTS

D464,009 S * 10/2002 Laengerer D12/211

D516,493 S * 3/2006 Frizzi D12/211

D741,242 S * 10/2015 Juergens D12/211

D778,800 S * 2/2017 Chung D12/211

D800,633 S * 10/2017 Kong D12/211

D811,305 S * 2/2018 Hodges D12/211

D829,153 S * 9/2018 Han D12/209

D842,193 S * 3/2019 Han D12/209

D860,091 S * 9/2019 Milani D12/209

D892,018 S * 8/2020 Han D12/209

D894,078 S * 8/2020 Lee D12/209

D897,256 S * 9/2020 Han D12/209

D902,110 S * 11/2020 Han D12/209

D908,584 S * 1/2021 Mukti D12/211

D914,573 S * 3/2021 Kirst D12/209

D926,101 S * 7/2021 Mukti D12/211

* cited by examiner

Primary Examiner — Richard E Chilcot

(57) **CLAIM**

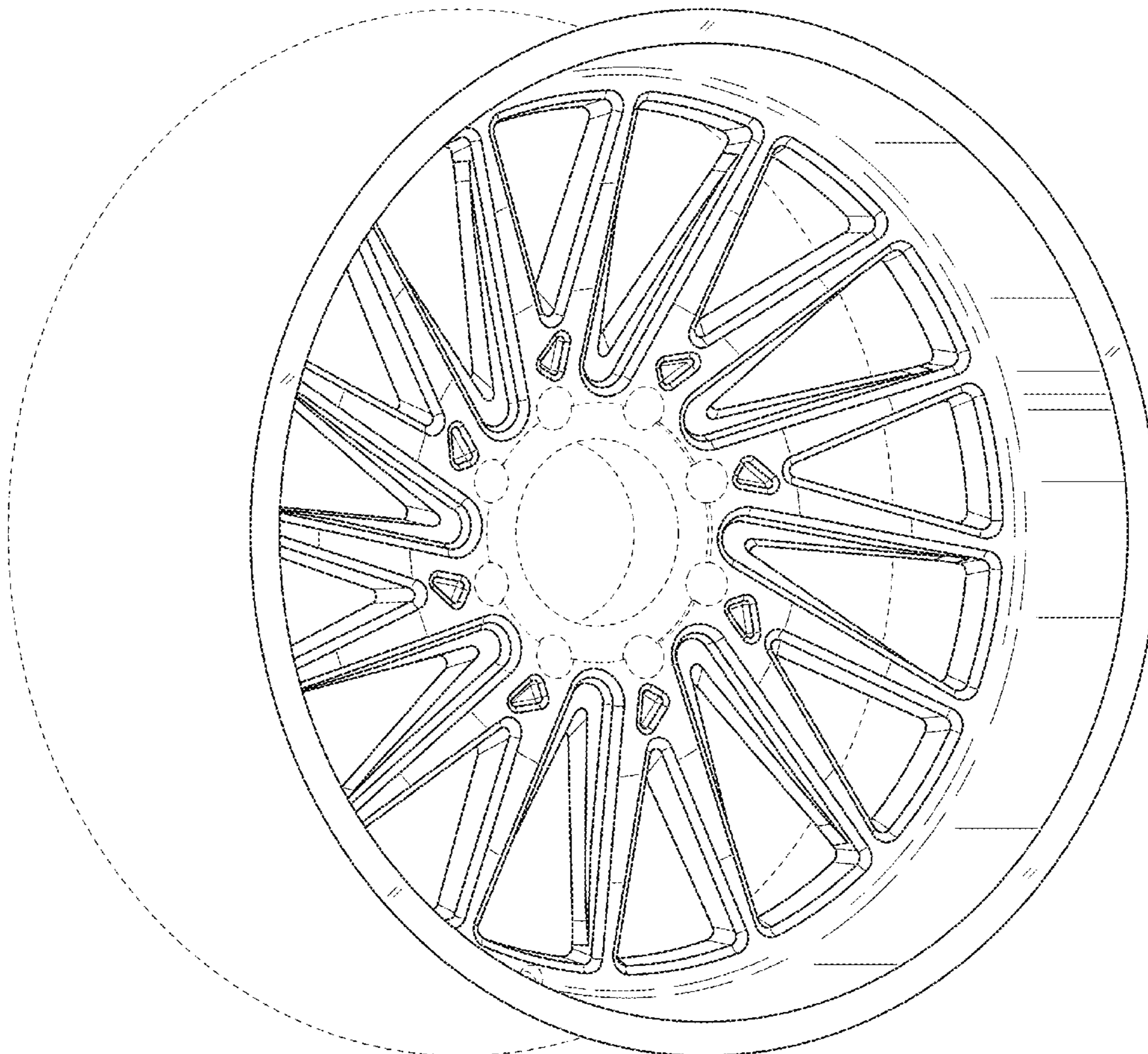
The ornamental design for an automotive wheel, as shown and described.

DESCRIPTION

FIG. 1 is a perspective view of an automotive wheel, showing my new design; and, FIG. 2 is a front view thereof.

In the drawings, the broken lines depict environmental subject matter and form no part of the claimed design.

1 Claim, 2 Drawing Sheets



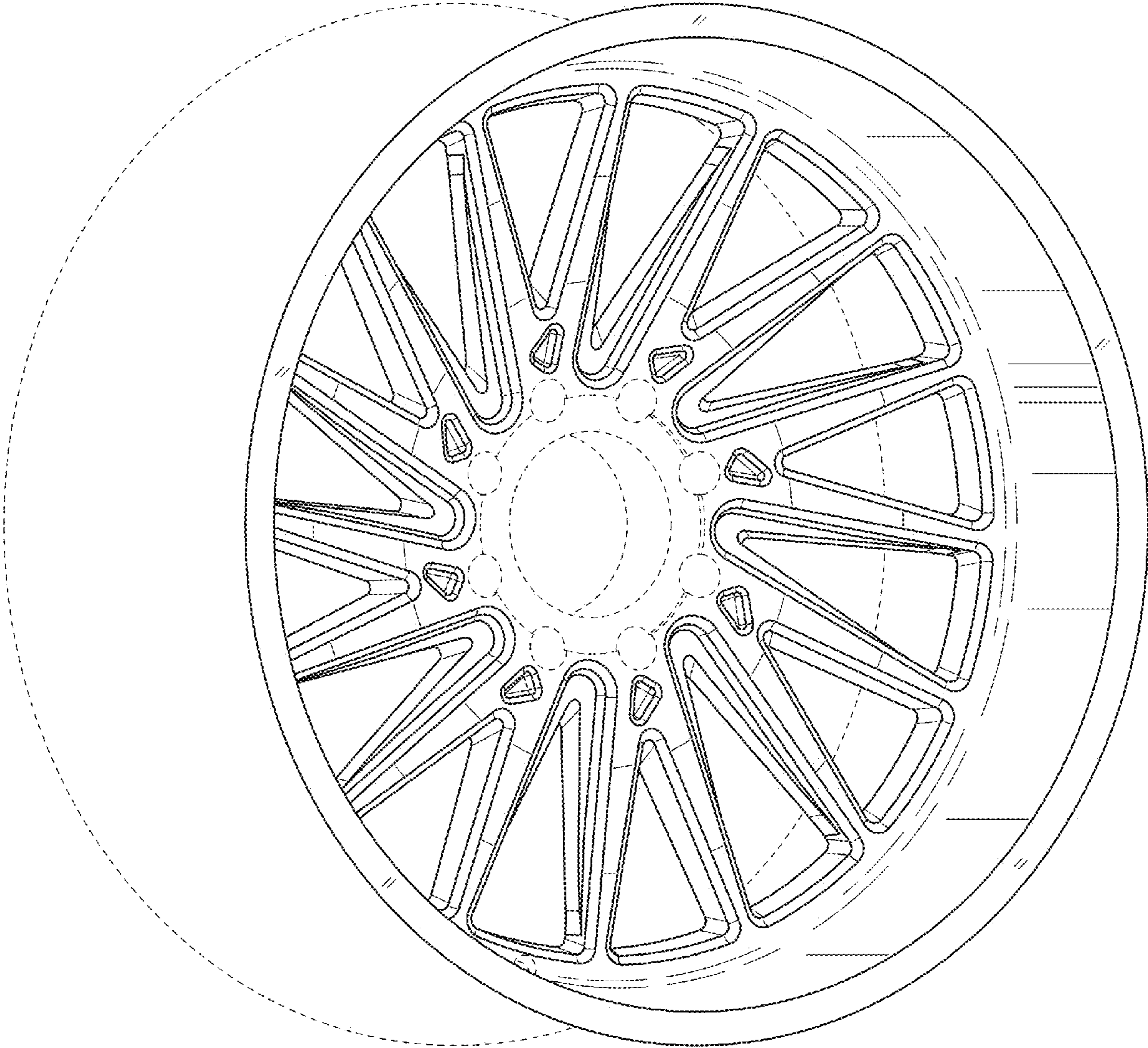


FIGURE 1

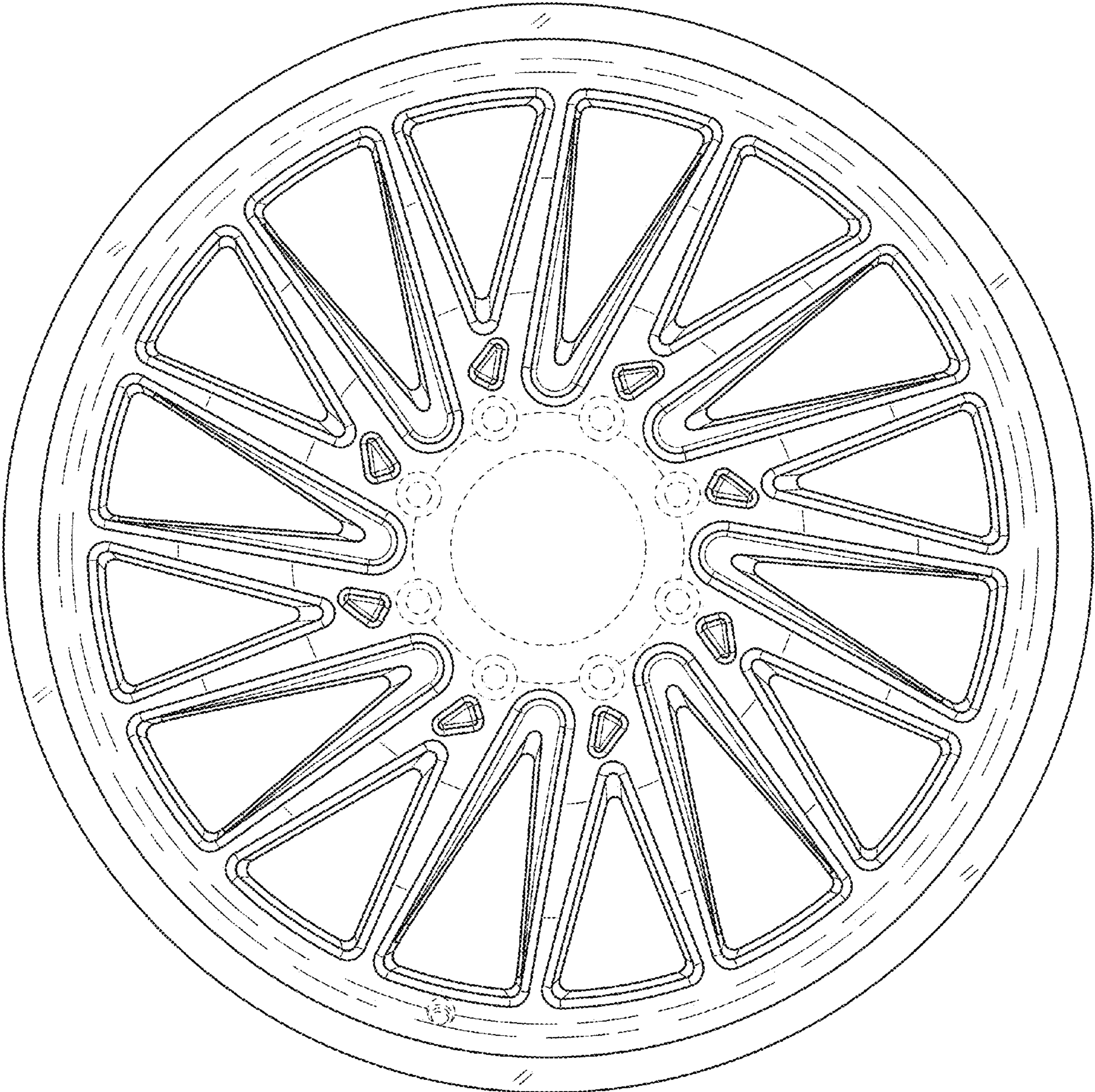


FIGURE 2