



US00D972478S

(12) **United States Design Patent** (10) **Patent No.:** **US D972,478 S**
Akcaay (45) **Date of Patent:** **** Dec. 13, 2022**

(54) **VEHICLE BUMPER PART**

FOREIGN PATENT DOCUMENTS

(71) Applicant: **VOLKSWAGEN AKTIENGESELLSCHAFT,**
Wolfsburg (DE)

WO DM206185 9/2019

(72) Inventor: **Cihan Akcaay,** Wolfsburg (DE)

OTHER PUBLICATIONS

(73) Assignee: **VOLKSWAGEN AKTIENGESELLSCHAFT,**
Wolfsburg (DE)

Vehicle Bumpers. (Design—© Questel) orbit.com. [Online PDF compilation of references] 49 pgs. Print Dates Range Jan. 27, 2022-Jan. 11, 2022 [Retrieved Sep. 20, 2022].*

(**) Term: **15 Years**

Rear Skid Bumper Plate Diffuser. 2016. eBay. <https://www.ebay.com/p/1847977408>.*

(21) Appl. No.: **29/794,565**

2021 sport rear diffuser. Jun. 10, 2021. stelvio forum. <https://www.stelvioforum.com/threads/2021-sport-rear-diffuser-for-2019-and-earlier-stelvios.15982/>.*

(22) Filed: **Jun. 14, 2021**

Front Rear Bumper Diffuser Bumpers Lip Protector. 2015. alibaba. https://www.alibaba.com/product-detail/Front-Rear-Bumper-Diffuser-Bumpers-Lip_1600338644148.html.*

(51) **LOC (13) Cl.** **12-16**

* cited by examiner

(52) **U.S. Cl.**
USPC **D12/196**

Primary Examiner — George D. Kirschbaum

Assistant Examiner — Suzanne E Tisdell

(58) **Field of Classification Search**
USPC D12/86, 90, 92, 163, 169, 196
CPC B60R 2019/25; B62D 25/084
See application file for complete search history.

(74) *Attorney, Agent, or Firm* — Lucas & Mercanti, LLP;
Klaus P. Stoffel

(56) **References Cited**

(57) **CLAIM**

The ornamental design for a vehicle bumper part, as shown and described.

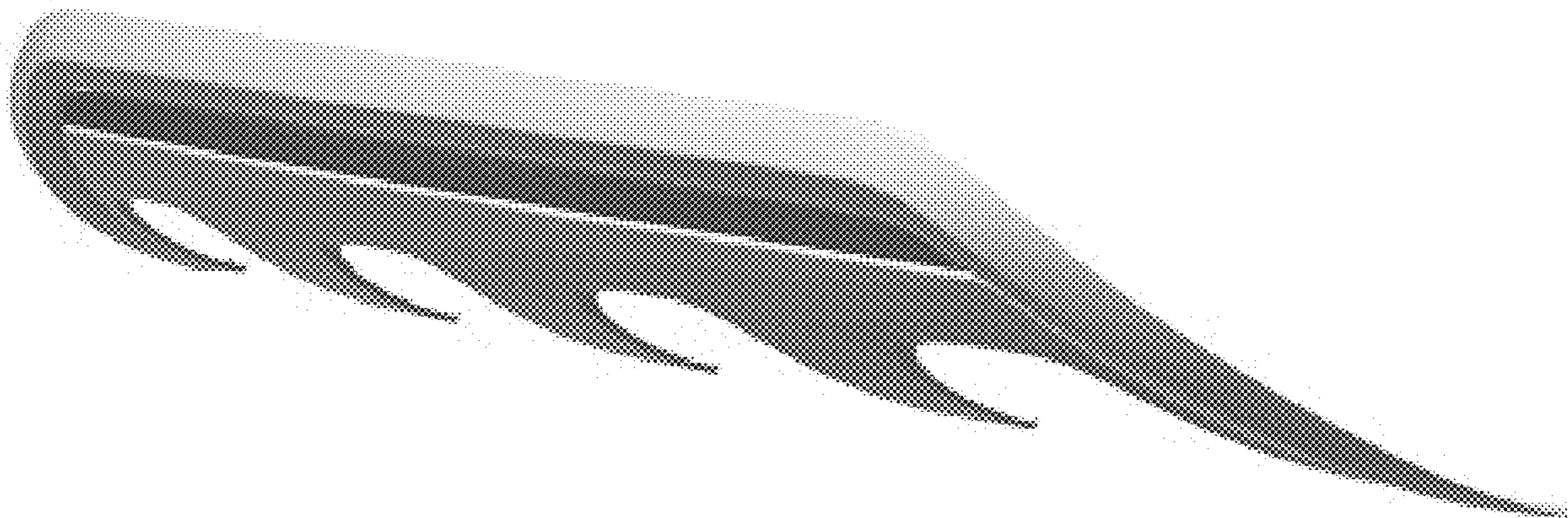
U.S. PATENT DOCUMENTS

DESCRIPTION

D953,217 S * 5/2022 Dewitt D12/169
D955,933 S * 6/2022 Jevremovic D12/169
D955,935 S * 6/2022 De Leon D12/169
D956,636 S * 7/2022 Bucher D12/169
D958,028 S * 7/2022 Duncan D12/169
D960,779 S * 8/2022 De Leon D12/169
D960,782 S * 8/2022 Jie D12/169
D960,783 S * 8/2022 Gunnarson D12/169
D960,786 S * 8/2022 Kil D12/169
D964,231 S * 9/2022 Hoste D12/169
D964,232 S * 9/2022 Hoste D12/169
D964,233 S * 9/2022 Hoste D12/169
D964,234 S * 9/2022 Hoste D12/169

FIG. 1 is a front and right side perspective view of the vehicle bumper part showing the present design;
FIG. 2 is a rear and left side perspective view thereof;
FIG. 3 is a top view thereof;
FIG. 4 is a bottom view thereof;
FIG. 5 is a front view thereof;
FIG. 6 is a rear view thereof;
FIG. 7 is a right side view thereof; and,
FIG. 8 is a left side view thereof.

1 Claim, 4 Drawing Sheets



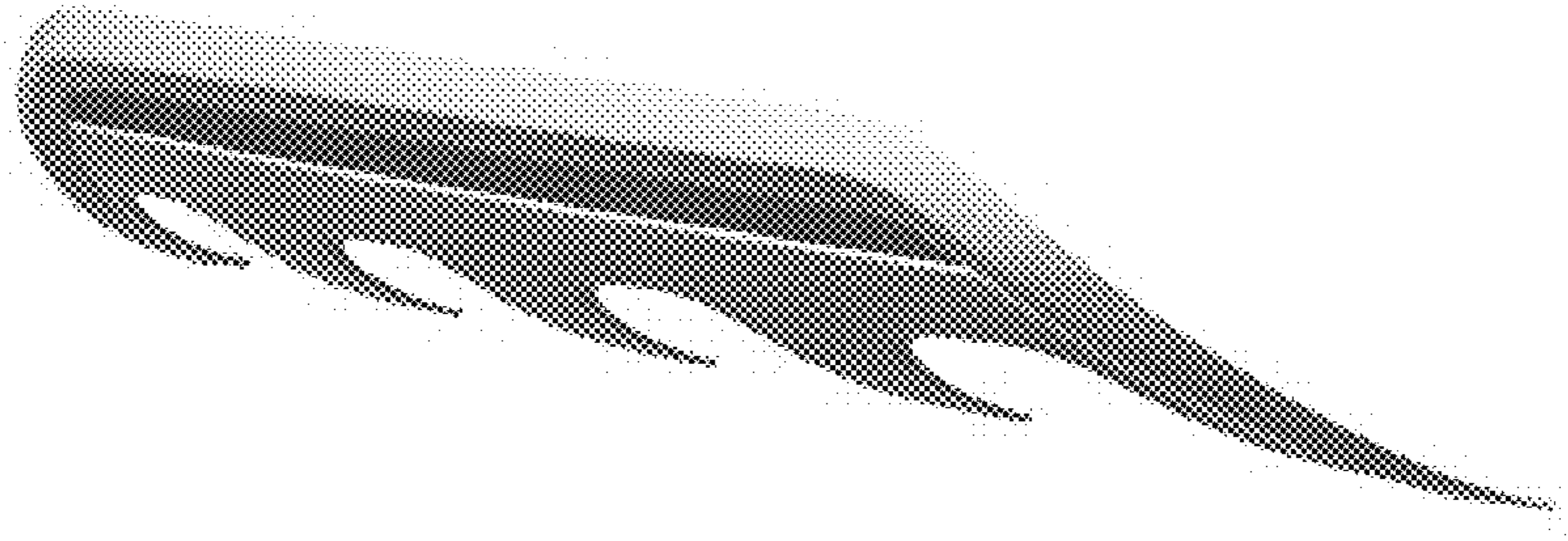


Fig. 1

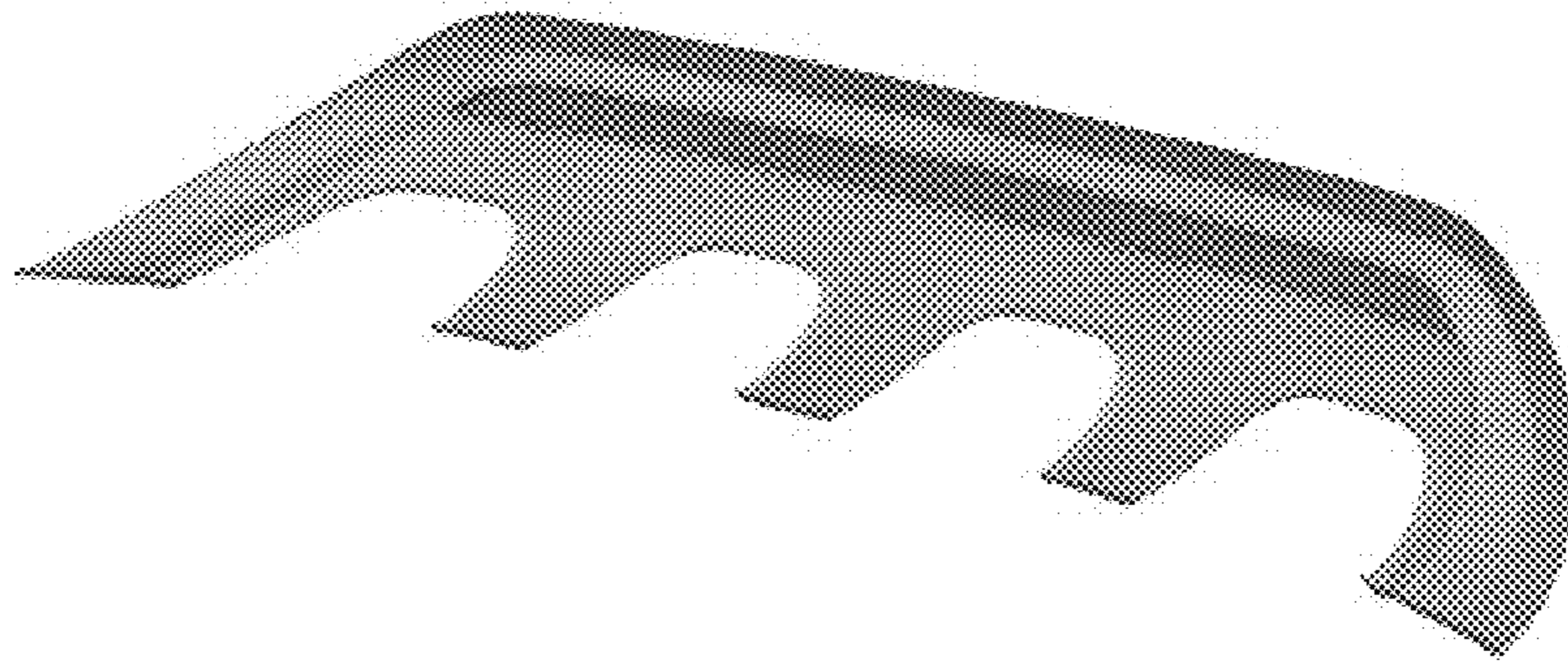


Fig. 2

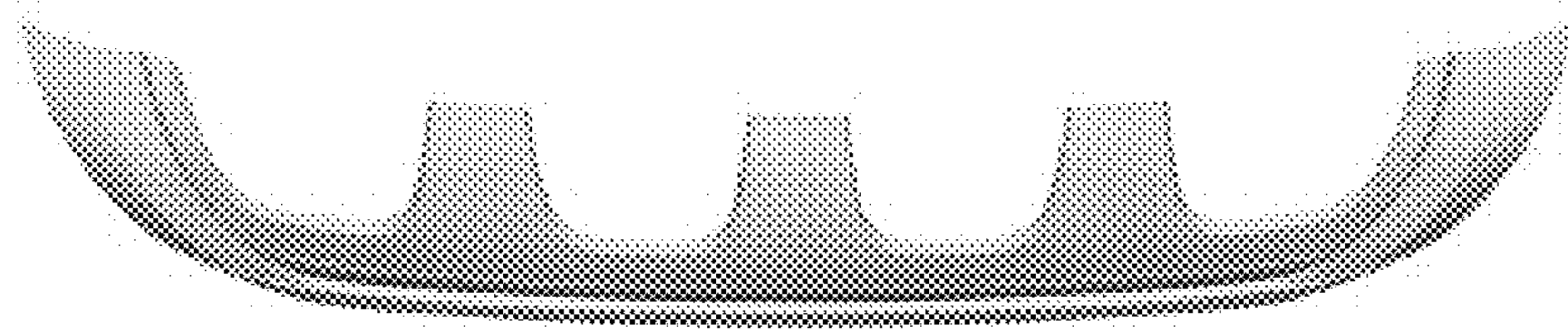


Fig. 3

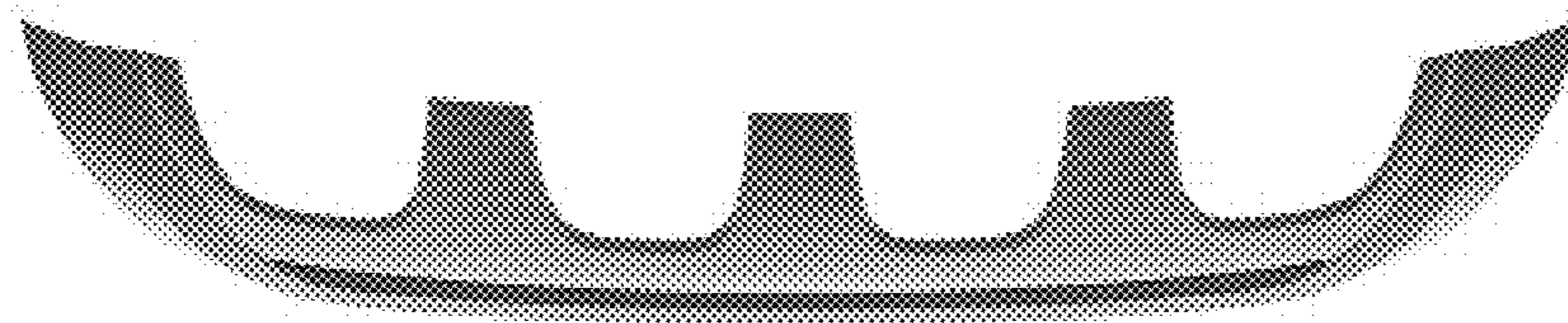


Fig. 4

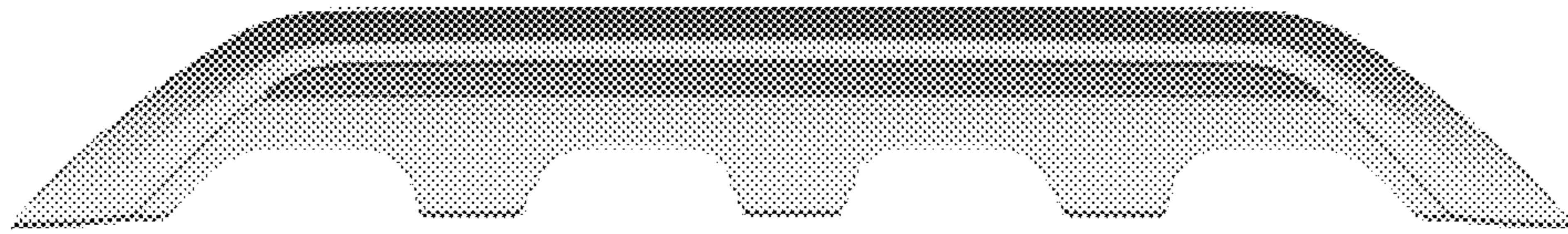


Fig. 5

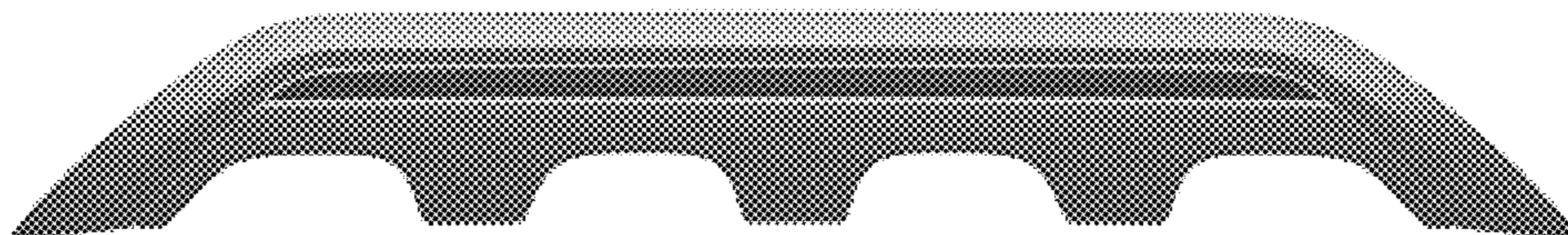


Fig. 6



Fig. 7



Fig. 8