



US00D972475S

(12) **United States Design Patent** (10) **Patent No.:** **US D972,475 S**
Pleas (45) **Date of Patent:** **** Dec. 13, 2022**

(54) **MOUNTING BRACKET**
(71) Applicant: **Robert M. Pleas**, Puyallup, WA (US)
(72) Inventor: **Robert M. Pleas**, Puyallup, WA (US)
(**) Term: **15 Years**
(21) Appl. No.: **29/735,203**
(22) Filed: **May 19, 2020**
(51) **LOC (13) Cl.** **12-16**
(52) **U.S. Cl.**
USPC **D12/187**
(58) **Field of Classification Search**
USPC D26/113; D7/693; D8/1, 14-17, 19,
D8/21-29, 61, 73, 105, 107, 366, 371,
D8/372, 382, 384, 385, 388, 389, 499;
D12/20, 42, 106, 114, 133, 172, 177, 187,
D12/317, 345, 604
CPC B25B 13/04; B25B 13/08; B25B 13/48;
B25B 13/50; B25B 33/005; B60R 1/0605;
B60R 1/0617; B60R 1/061; B60R 1/00
See application file for complete search history.

(56) **References Cited**

U.S. PATENT DOCUMENTS

D21,627 S * 6/1892 Meeker D8/380
D204,188 S * 3/1966 Lee 74/532
D227,936 S * 7/1973 Kucher D12/317
D257,383 S * 10/1980 Davenport D8/19
D280,311 S * 8/1985 Pawsat D12/117
D285,948 S * 9/1986 Mazzoleni D21/486
D314,133 S * 1/1991 Issard D8/367
D348,814 S * 7/1994 Pearson D8/51
D349,055 S * 7/1994 Hawkins D8/499
D374,654 S * 10/1996 Steketee D12/414.1
D407,298 S * 3/1999 Hemphill D8/367
D431,981 S * 10/2000 Aparnieks D8/27
D433,294 S * 11/2000 Doshay D8/28
D483,657 S * 12/2003 Kim D8/382
D578,039 S * 10/2008 Ely D12/42

D598,723 S * 8/2009 Cheng D8/17
D601,393 S * 10/2009 Cui D8/17
7,780,298 B2 * 8/2010 Greathouse B62J 29/00
248/475.1
D623,579 S * 9/2010 Masson B62J 29/00
D12/345
D638,346 S * 5/2011 Loynds D12/407
D638,775 S * 5/2011 Masson D12/345
D693,281 S * 11/2013 Milbank B62J 29/00
D12/187
D719,490 S * 12/2014 Hoff D12/114
D751,238 S * 3/2016 Siuvatti D26/113

(Continued)

OTHER PUBLICATIONS

Product Announcement!!!!; CargoLug; Facebook.com; May 21, 2020; Accessed Jun. 14, 2022; URL< https://m.facebook.com/story.php?story_fbid=2550601915178105&id=1560465147525125&m_entstream_source > (Year: 2020).*

Primary Examiner — Rachel A. Voorhies
Assistant Examiner — Benjamin D. Wannemacher
(74) *Attorney, Agent, or Firm* — Dean A. Craine, P.S.

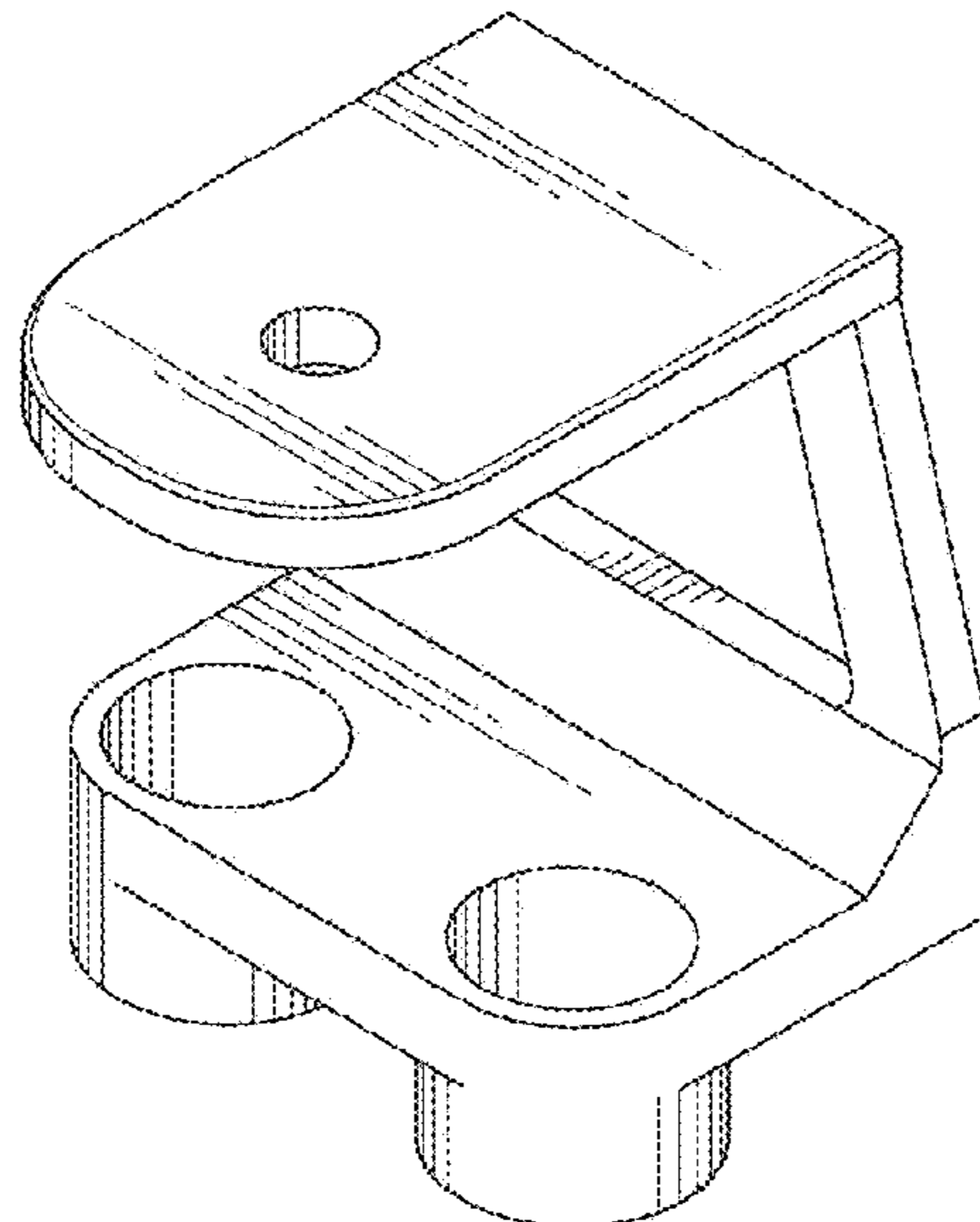
(57) **CLAIM**

The ornamental design for a mounting bracket, as shown and described.

DESCRIPTION

FIG. 1 is a front perspective view of a mounting bracket, showing my new design.
FIG. 2 is a rear perspective view thereof.
FIG. 3 is a front elevation view thereof.
FIG. 4 is a rear elevational view thereof.
FIG. 5 is a top plan view thereof.
FIG. 6 is bottom plan view thereof.
FIG. 7 is a left side elevational view thereof.
FIG. 8 is a right side elevational view thereof; and,
FIG. 9 is a sectional view taken along line 9-9 in FIG. 4.

1 Claim, 3 Drawing Sheets



(56)

References Cited

U.S. PATENT DOCUMENTS

D805,865 S *	12/2017	Sui	B62J 29/00
			D8/21
D906,899 S *	1/2021	Keller	B62J 29/00
			D12/187
2013/0286493 A1 *	10/2013	Hoff	B62J 29/00
			359/842

* cited by examiner

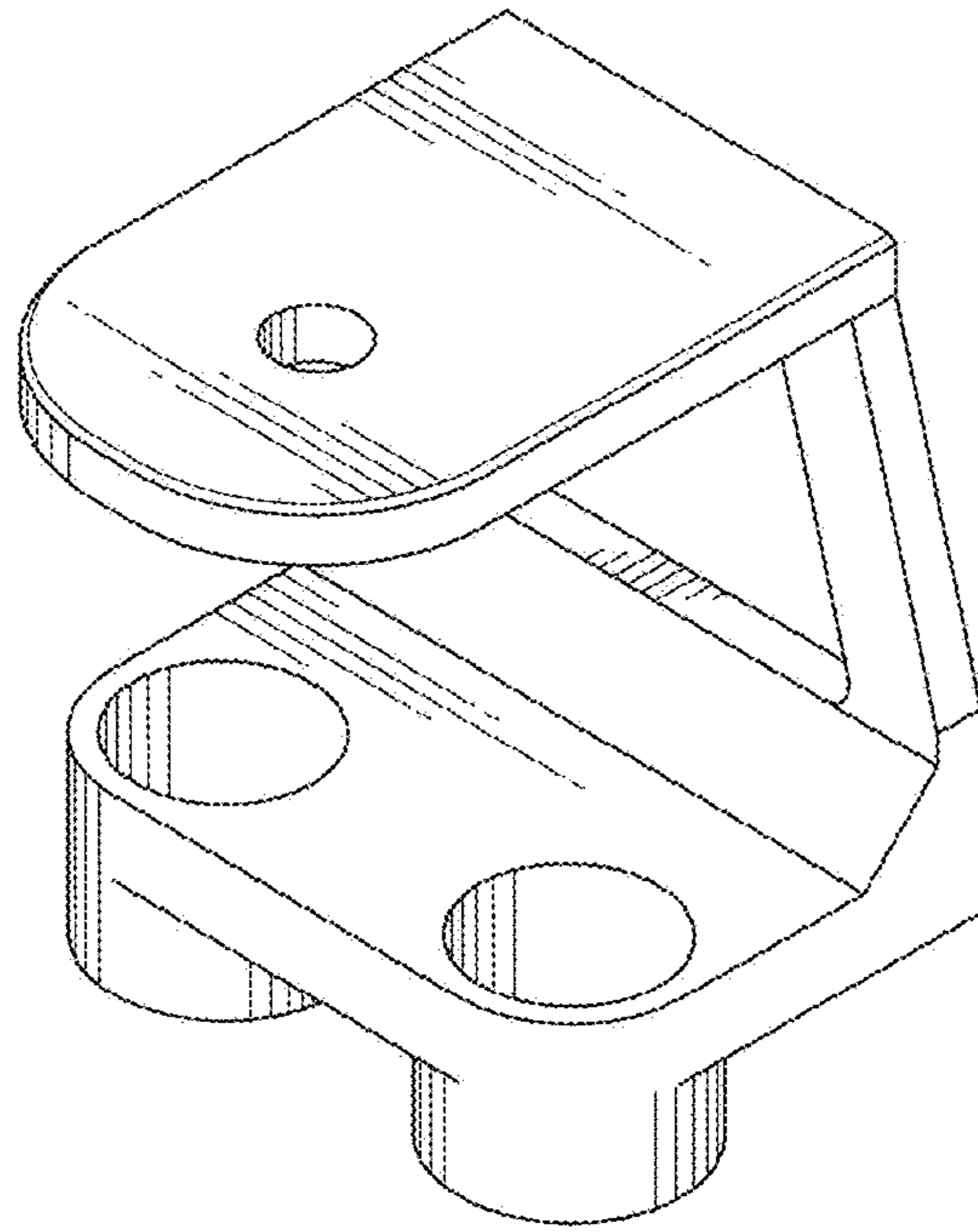


Fig. 1

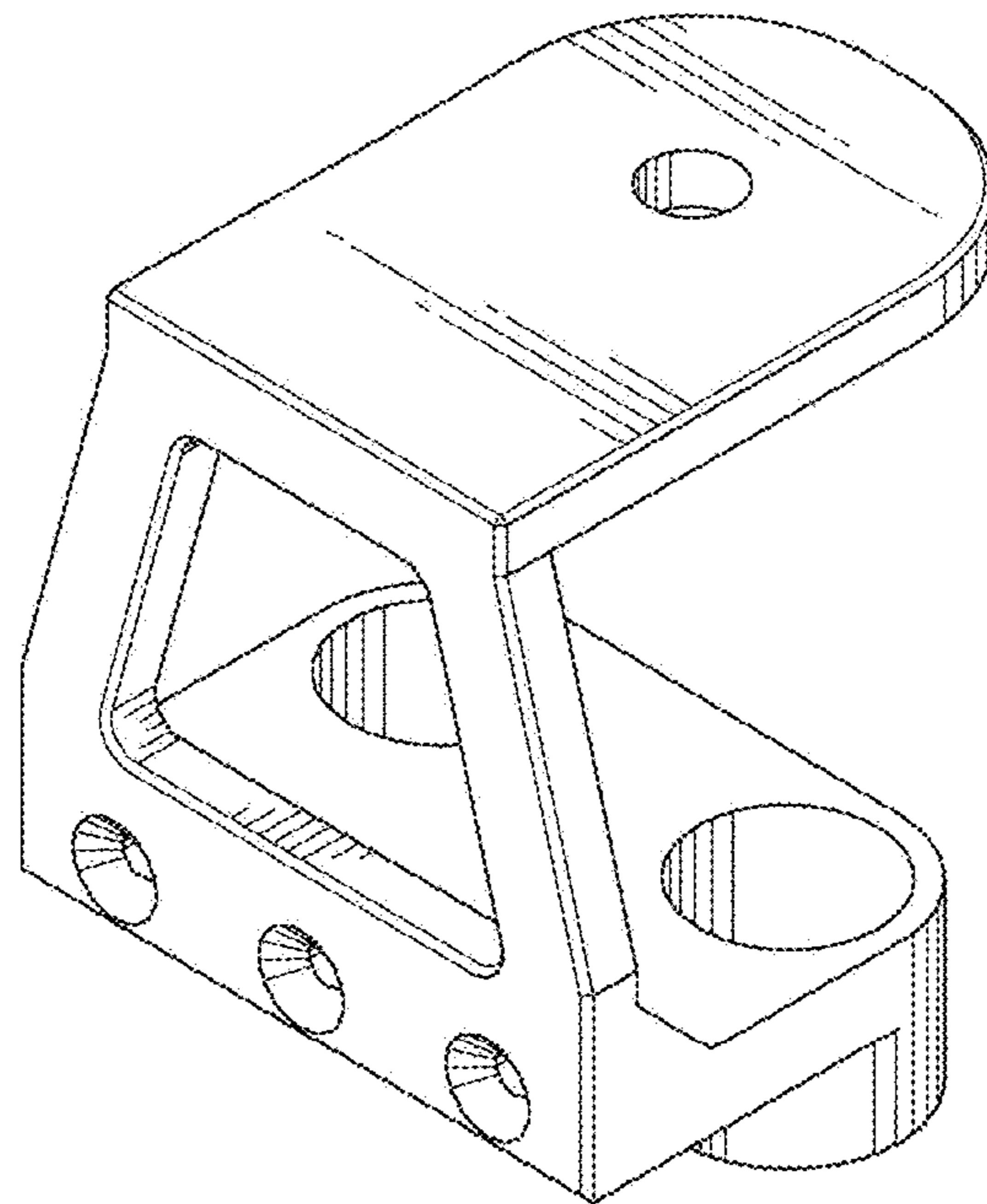


Fig. 2

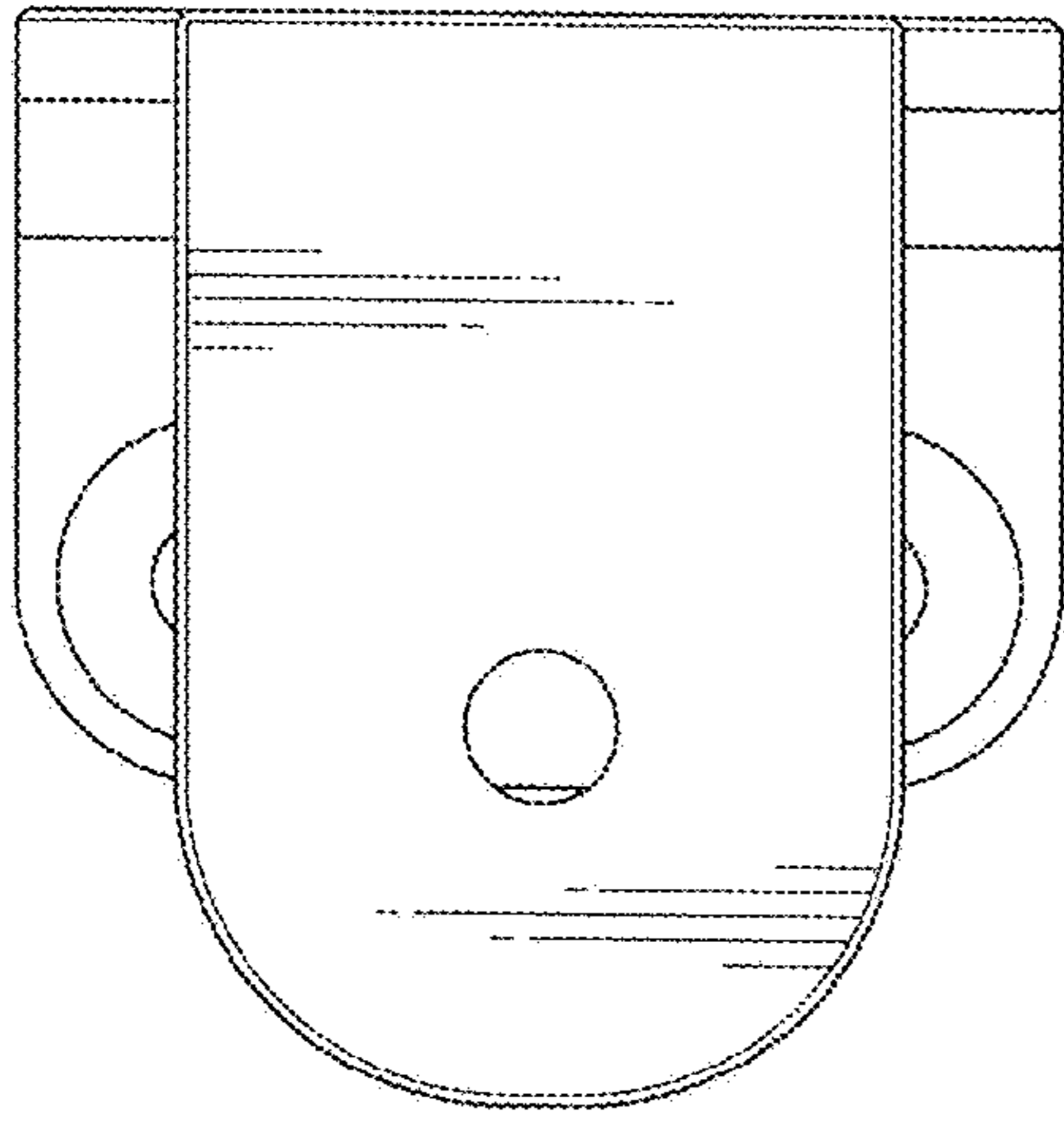


Fig. 5

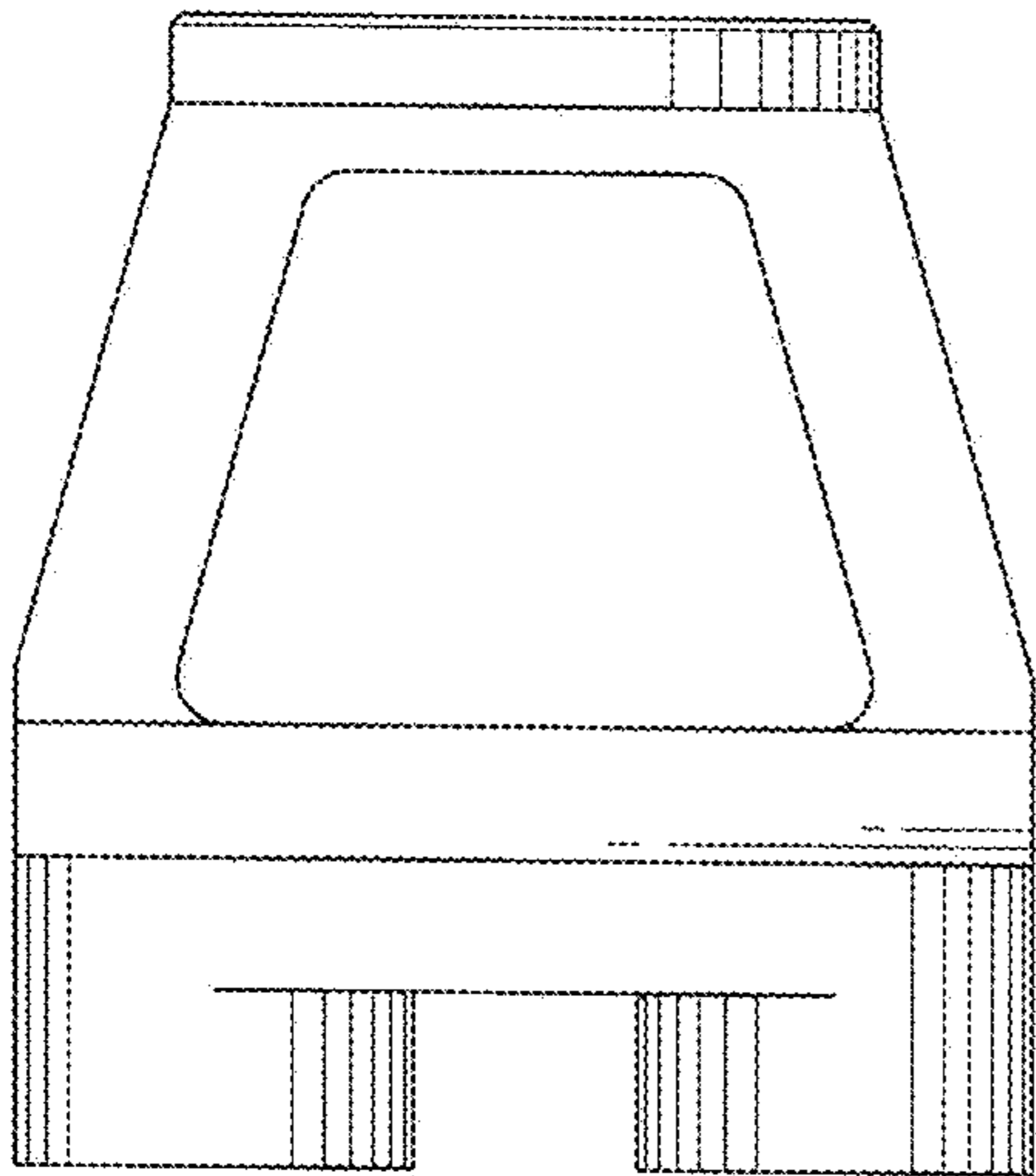


Fig. 3

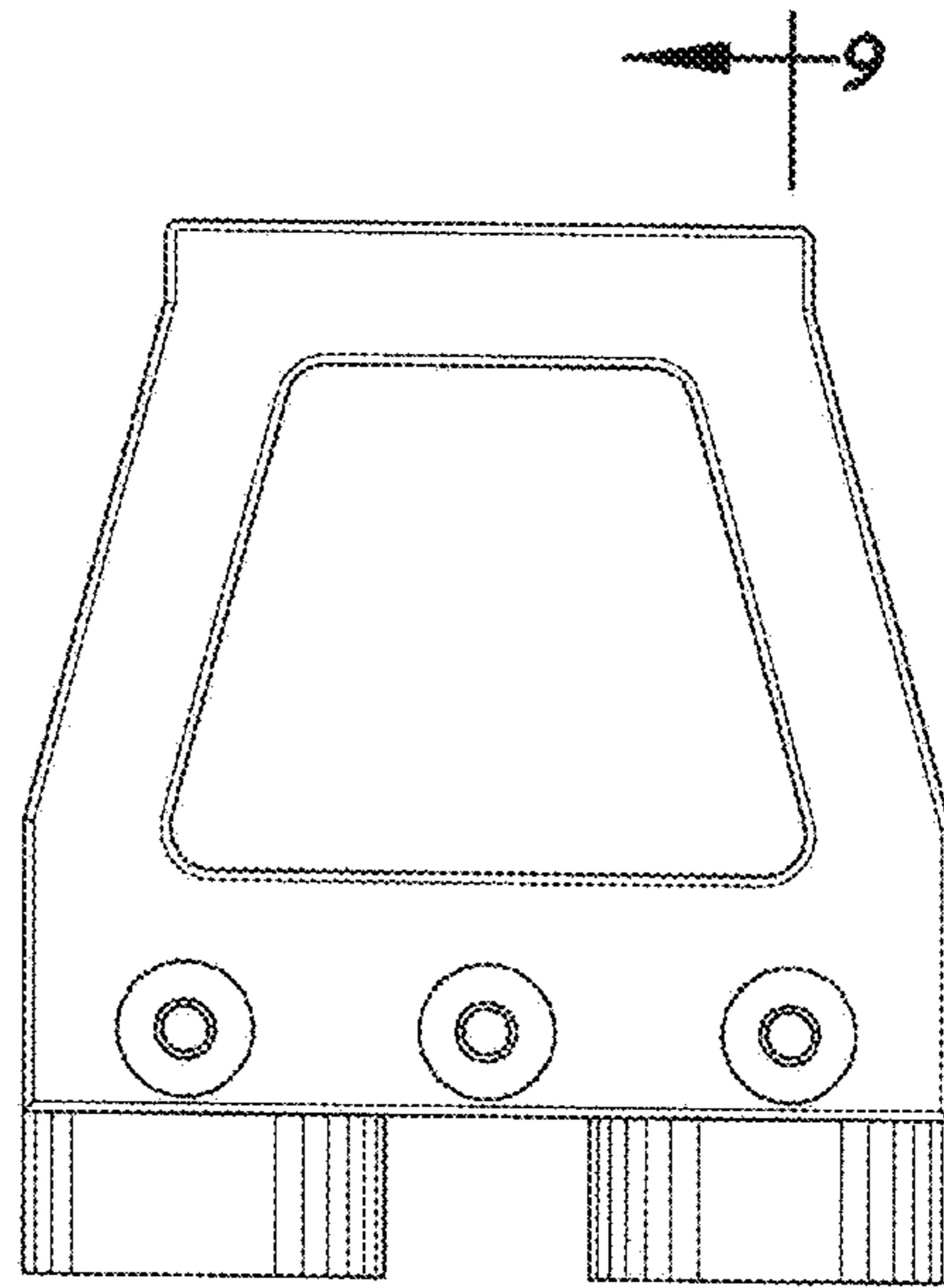


Fig. 4

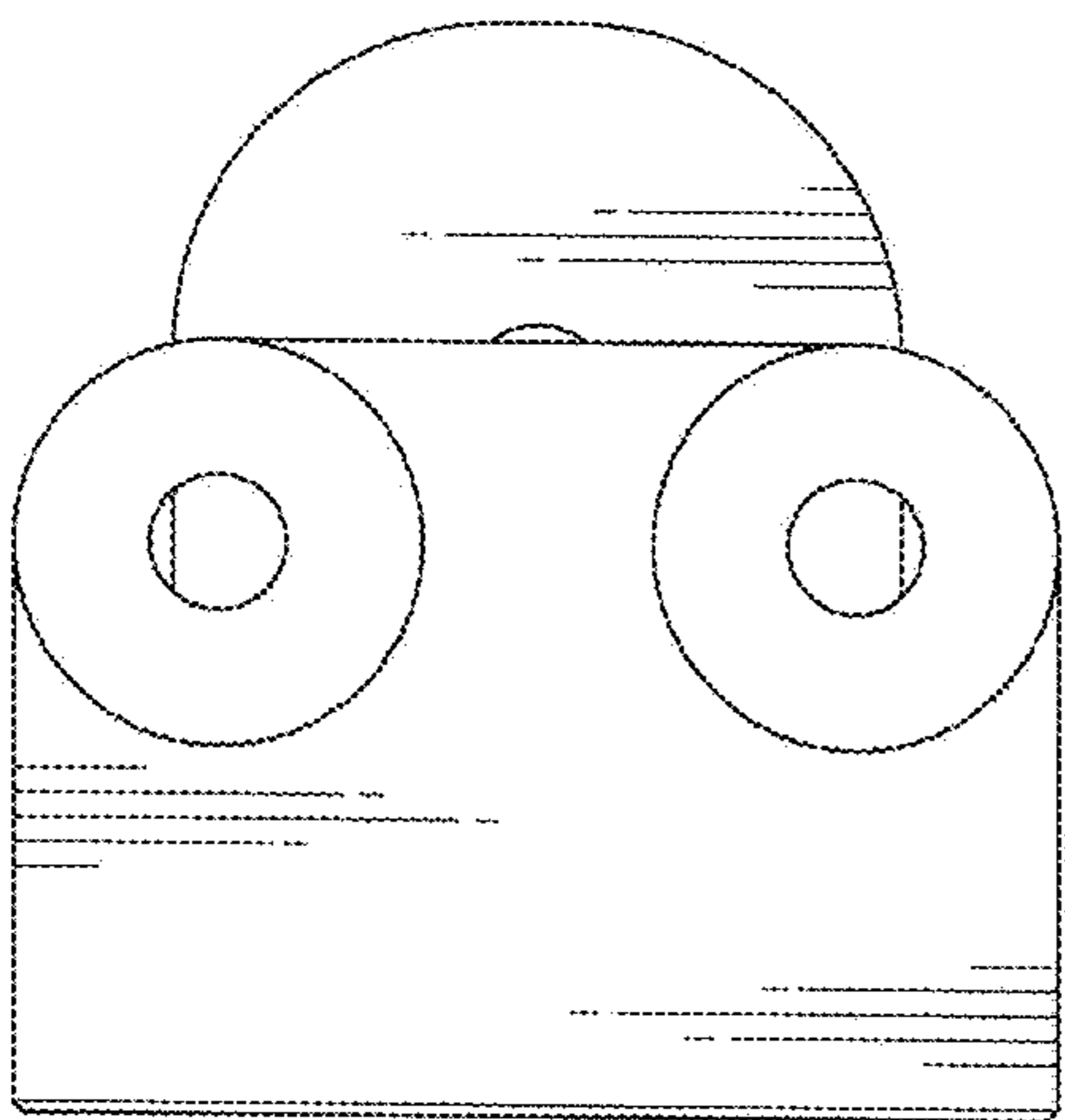


Fig. 6

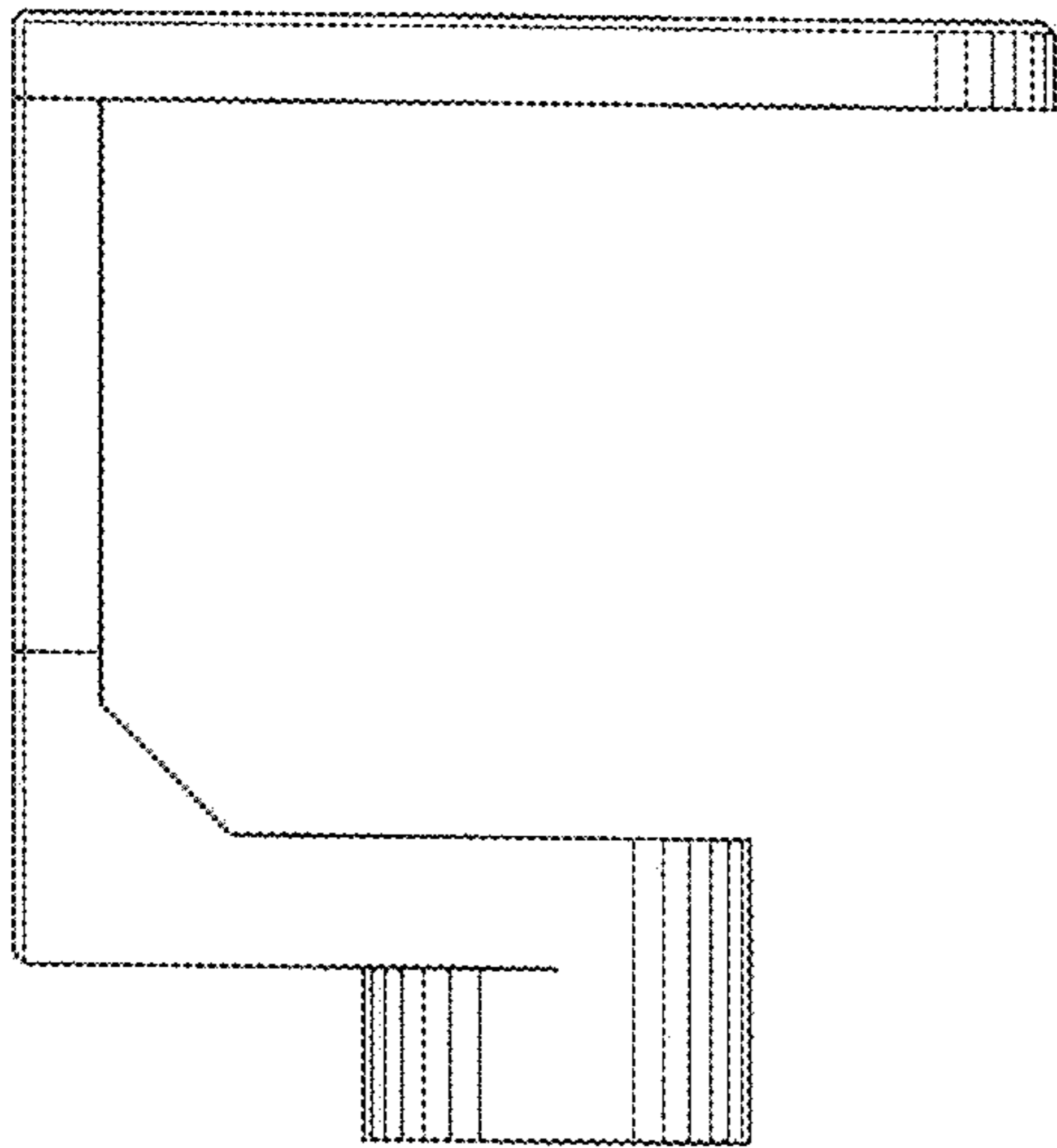


Fig. 7

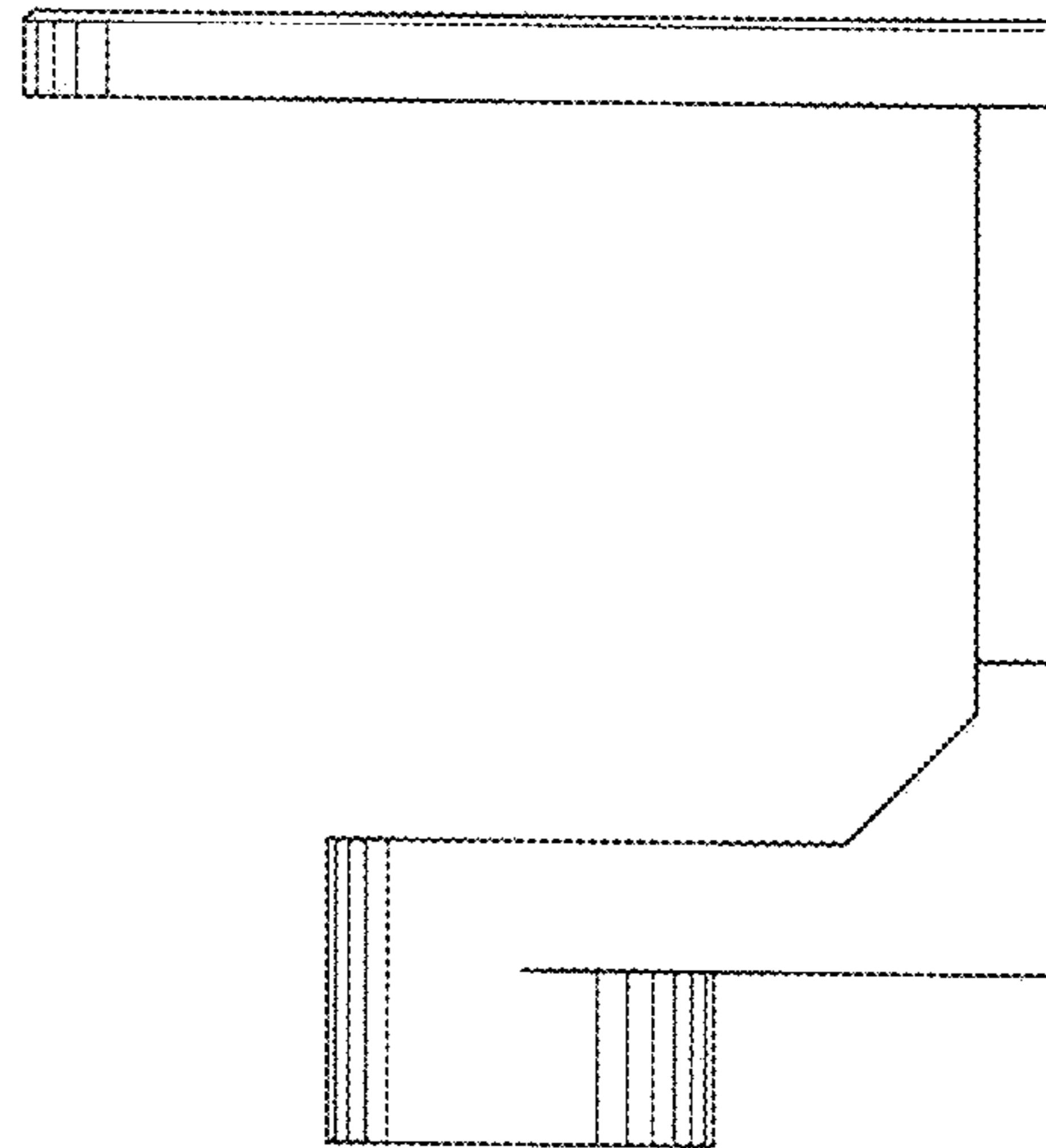


Fig. 8

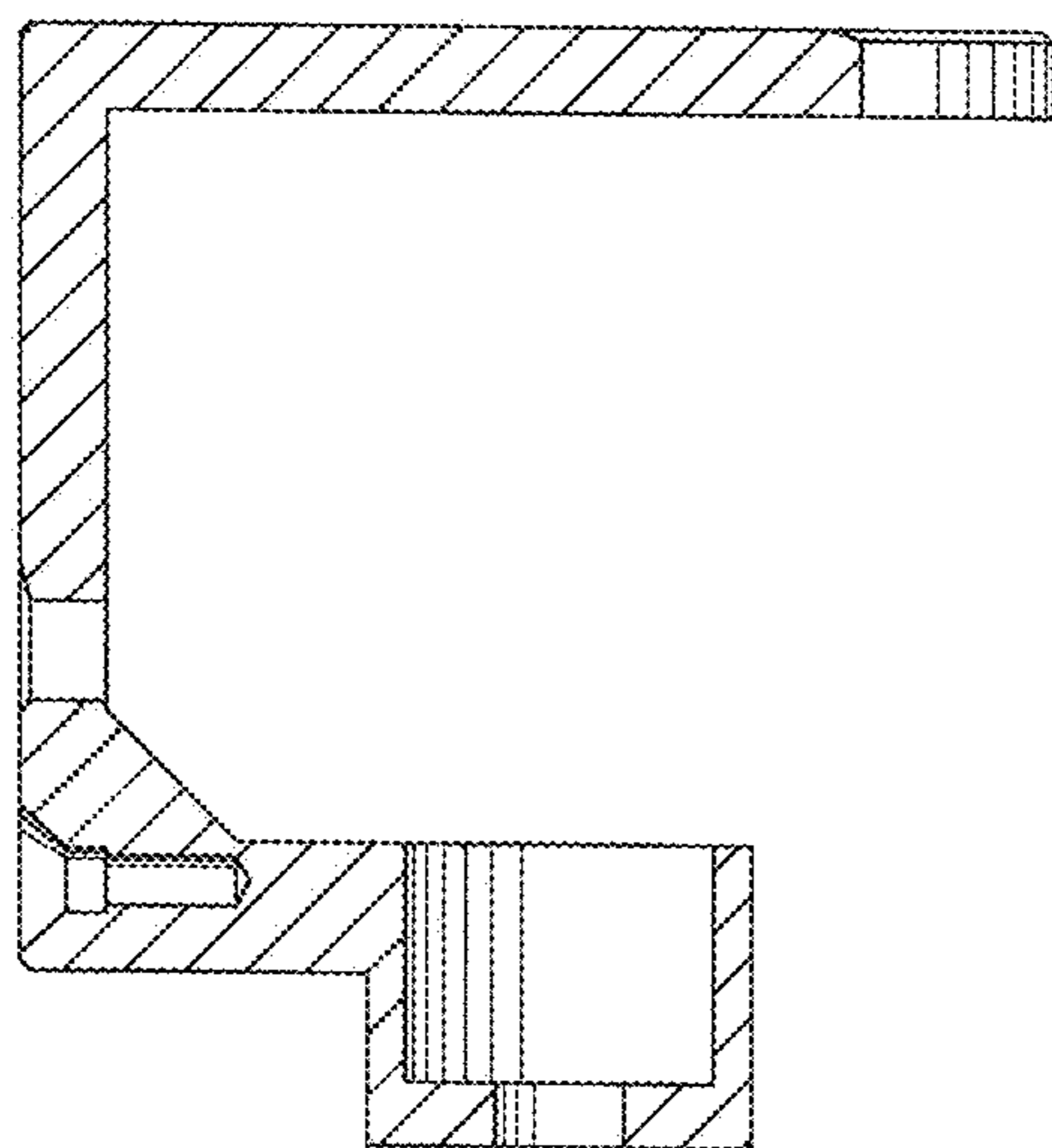


Fig. 9