



US00D972474S

(12) **United States Design Patent** (10) **Patent No.:** **US D972,474 S**  
**Pleas** (45) **Date of Patent:** **\*\* Dec. 13, 2022**

(54) **MOUNTING BRACKET**  
(71) Applicant: **Robert M Pleas**, Puyallup, WA (US)  
(72) Inventor: **Robert M Pleas**, Puyallup, WA (US)  
(\*\*) Term: **15 Years**  
(21) Appl. No.: **29/735,198**  
(22) Filed: **May 19, 2020**  
(51) **LOC (13) Cl.** ..... **12-16**  
(52) **U.S. Cl.**  
USPC ..... **D12/187**  
(58) **Field of Classification Search**  
USPC ..... D26/113; D7/693; D8/1, 14-17, 19,  
D8/21-29, 61, 73, 105, 107, 366, 371,  
D8/372, 382, 384, 385, 388, 389, 499;  
D12/20, 42, 106, 114, 133, 172, 177, 187,  
D12/317, 345, 604  
CPC ..... B25B 13/04; B25B 13/08; B25B 13/48;  
B25B 13/50; B25B 33/005; B60R 1/0605;  
B60R 1/0617; B60R 1/061; B60R 1/00  
See application file for complete search history.

D598,723 S \* 8/2009 Cheng ..... D8/17  
D601,393 S \* 10/2009 Cui ..... D8/17  
7,780,298 B2 \* 8/2010 Greathouse ..... B62J 29/00  
248/475.1  
D623,579 S \* 9/2010 Masson ..... B62J 29/00  
D12/345  
D638,346 S \* 5/2011 Loynds ..... D12/407  
D638,775 S \* 5/2011 Masson ..... D12/345  
D693,281 S \* 11/2013 Milbank ..... B62J 29/00  
D12/187  
D719,490 S \* 12/2014 Hoff ..... D12/114  
D751,238 S \* 3/2016 Siuvatti ..... D26/113  
D805,865 S \* 12/2017 Sui ..... B62J 29/00  
D8/21

(Continued)

**OTHER PUBLICATIONS**

Product Announcement!!!!; CargoLug; Facebook.com; May 21, 2020; Accessed Jun. 14, 2022; URL< [https://m.facebook.com/story.php?story\\_fbid=2550601915178105&id=1560465147525125&stream\\_source](https://m.facebook.com/story.php?story_fbid=2550601915178105&id=1560465147525125&stream_source) > (Year: 2020).\*

*Primary Examiner* — Rachel A. Voorhies  
*Assistant Examiner* — Benjamin D. Wannemacher  
(74) *Attorney, Agent, or Firm* — Dean A. Craine, P.S.

(56) **References Cited**

**U.S. PATENT DOCUMENTS**

D21,627 S \* 6/1892 Meeker ..... D8/380  
D204,188 S \* 3/1966 Lee ..... 74/532  
D227,936 S \* 7/1973 Kucher ..... D12/317  
D257,383 S \* 10/1980 Davenport ..... D8/19  
D280,311 S \* 8/1985 Pawsat ..... D12/117  
D285,948 S \* 9/1986 Mazzoleni ..... D21/486  
D314,133 S \* 1/1991 Issard ..... D8/367  
D348,814 S \* 7/1994 Pearson ..... D8/51  
D349,055 S \* 7/1994 Hawkins ..... D8/499  
D374,654 S \* 10/1996 Steketee ..... D12/414.1  
D407,298 S \* 3/1999 Hemphill ..... D8/367  
D431,981 S \* 10/2000 Aparnieks ..... D8/27  
D433,294 S \* 11/2000 Doshay ..... D8/28  
D483,657 S \* 12/2003 Kim ..... D8/382  
D578,039 S \* 10/2008 Ely ..... D12/42

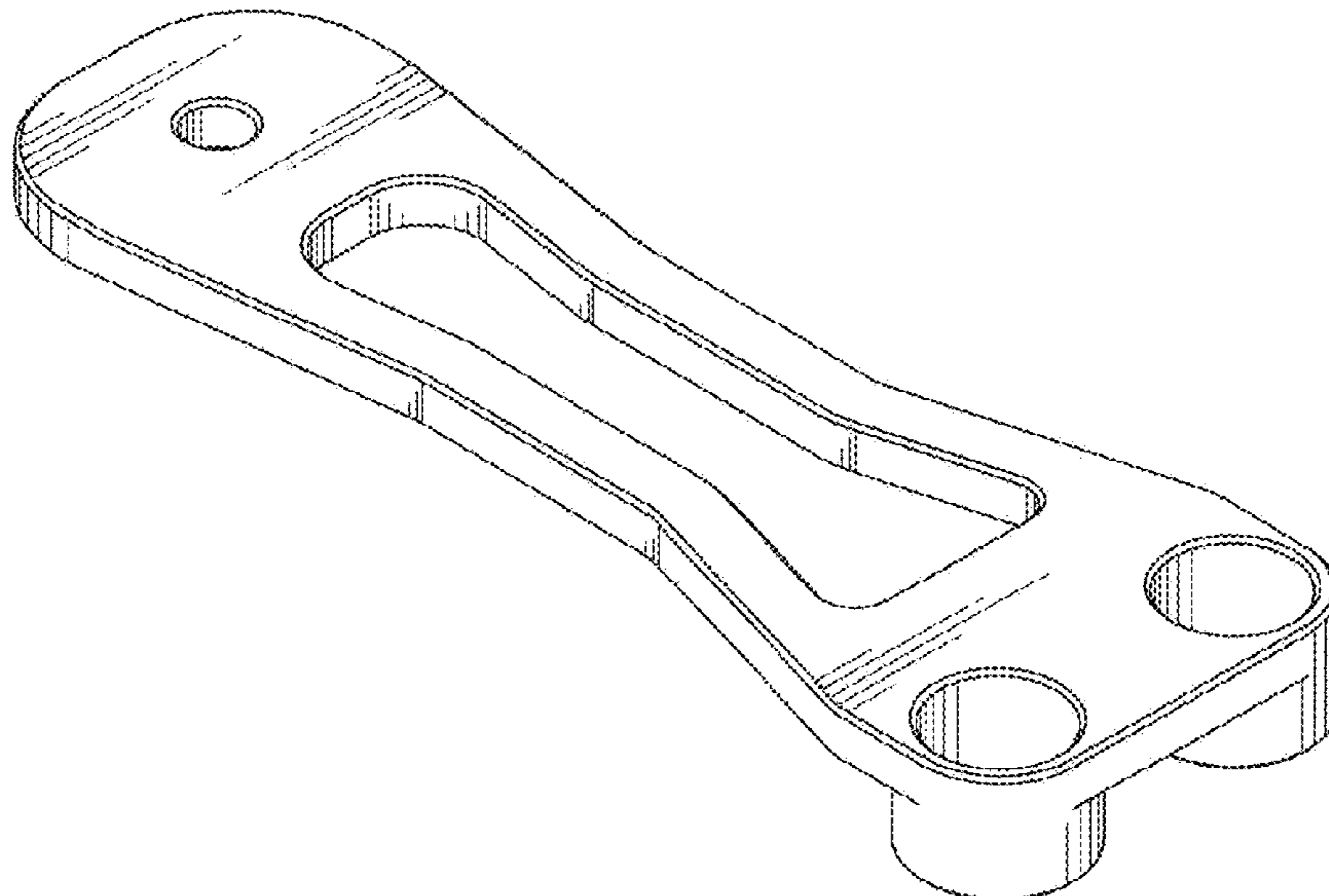
(57) **CLAIM**

The ornamental design for a mounting bracket, as shown and described.

**DESCRIPTION**

FIG. 1 is a front perspective view of a mounting bracket, showing my new design.  
FIG. 2 is a front elevation view thereof.  
FIG. 3 is a top plan view thereof.  
FIG. 4 is bottom plan view thereof.  
FIG. 5 is a right side elevational view thereof.  
FIG. 6 is a left side elevational view thereof; and,  
FIG. 7 is a sectional view taken along line 7-7 in FIG. 3.

**1 Claim, 2 Drawing Sheets**



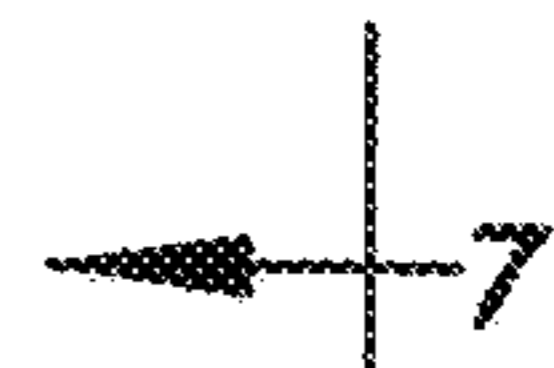
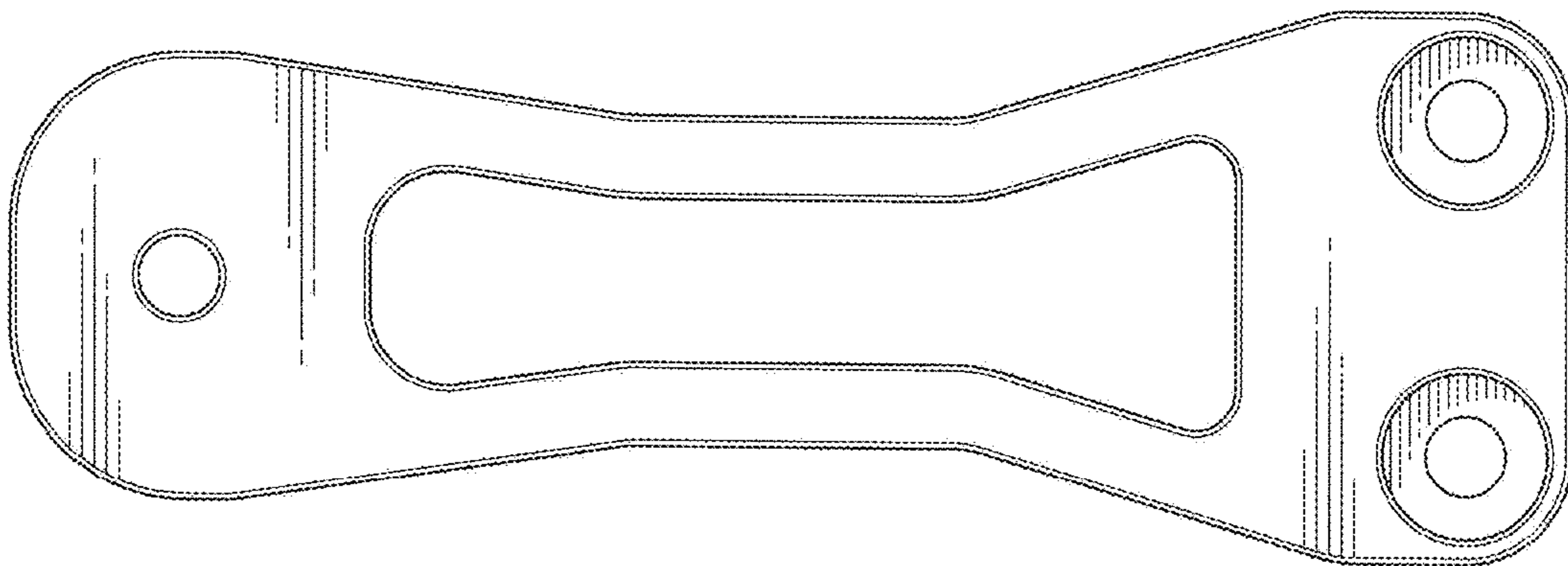
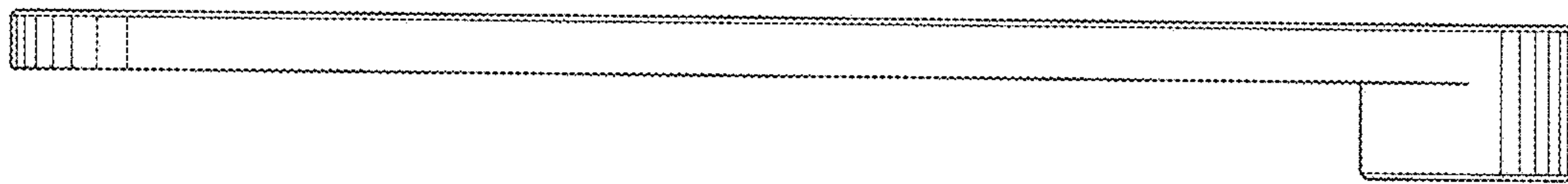
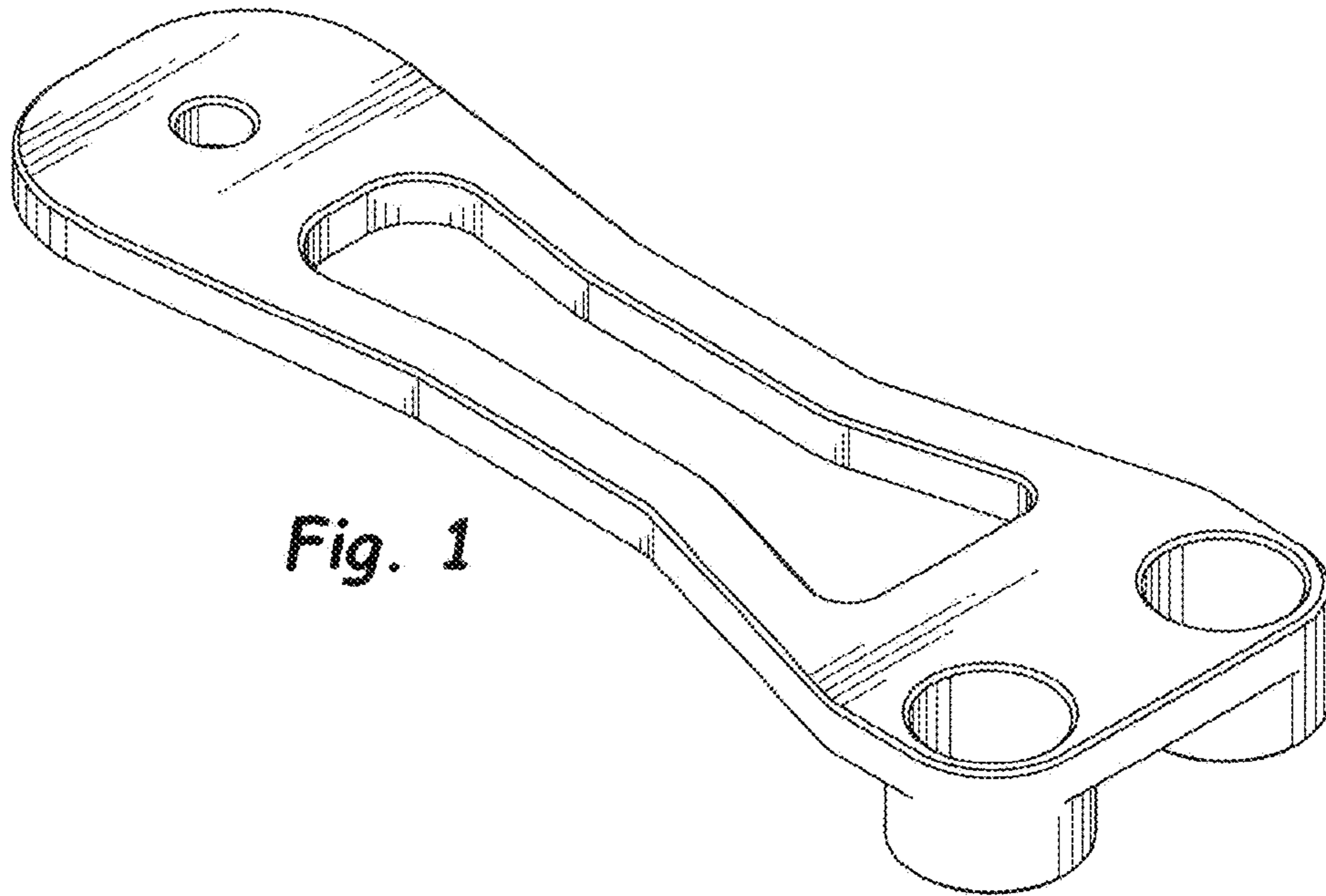
(56)

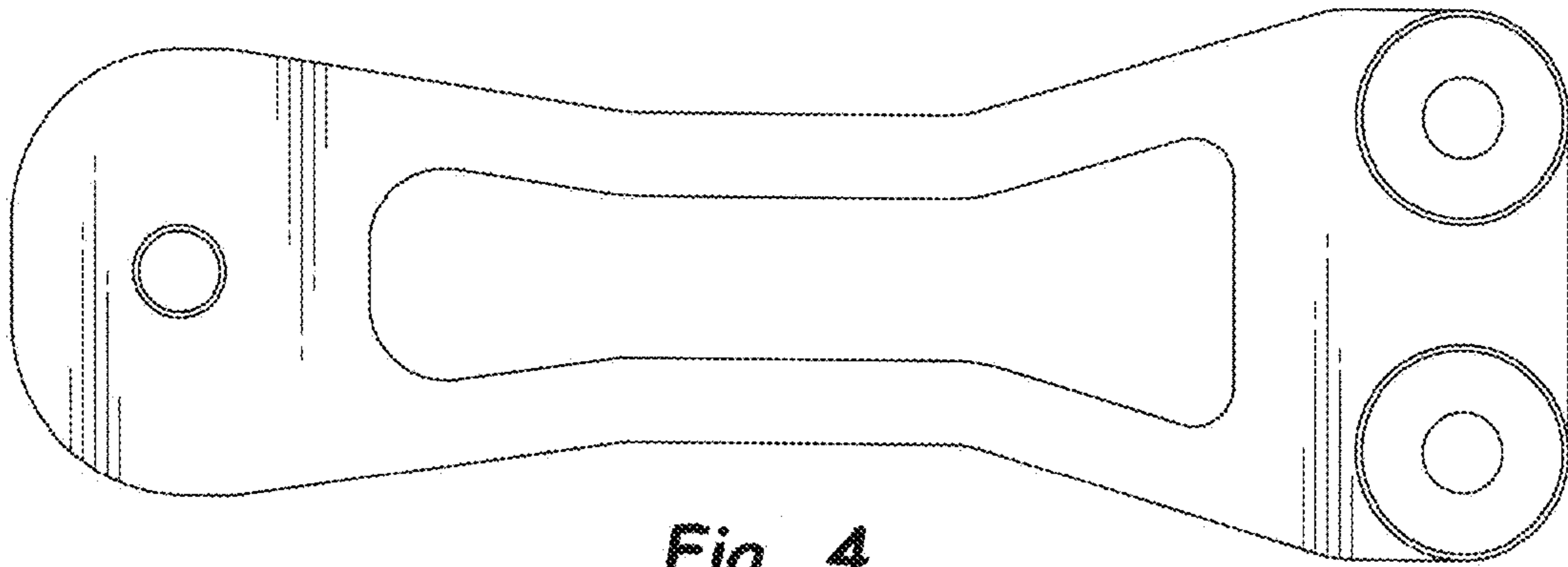
**References Cited**

U.S. PATENT DOCUMENTS

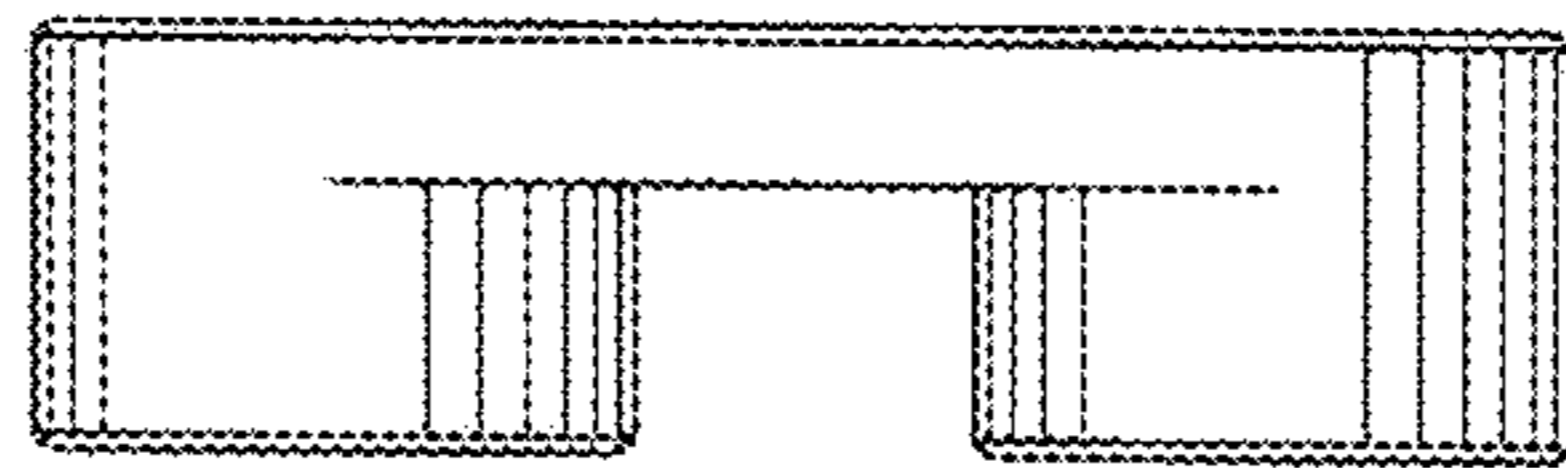
D906,899 S *	1/2021	Keller .....	B62J 29/00
			D12/187
2013/0286493 A1 *	10/2013	Hoff .....	B62J 29/00
			359/842

\* cited by examiner

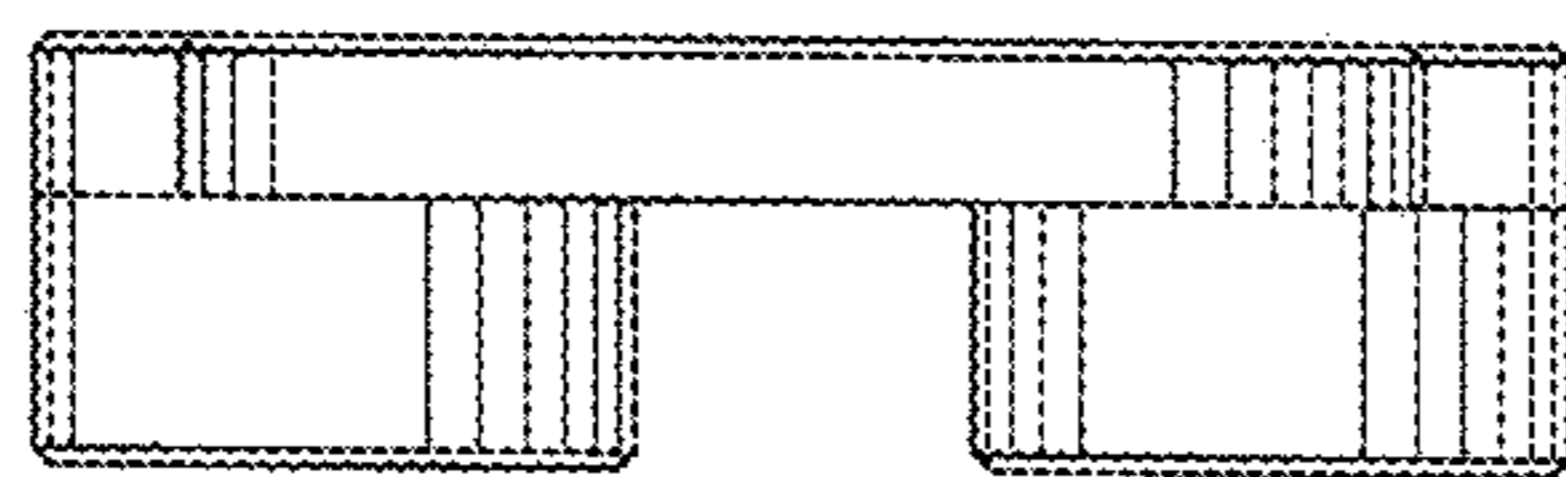




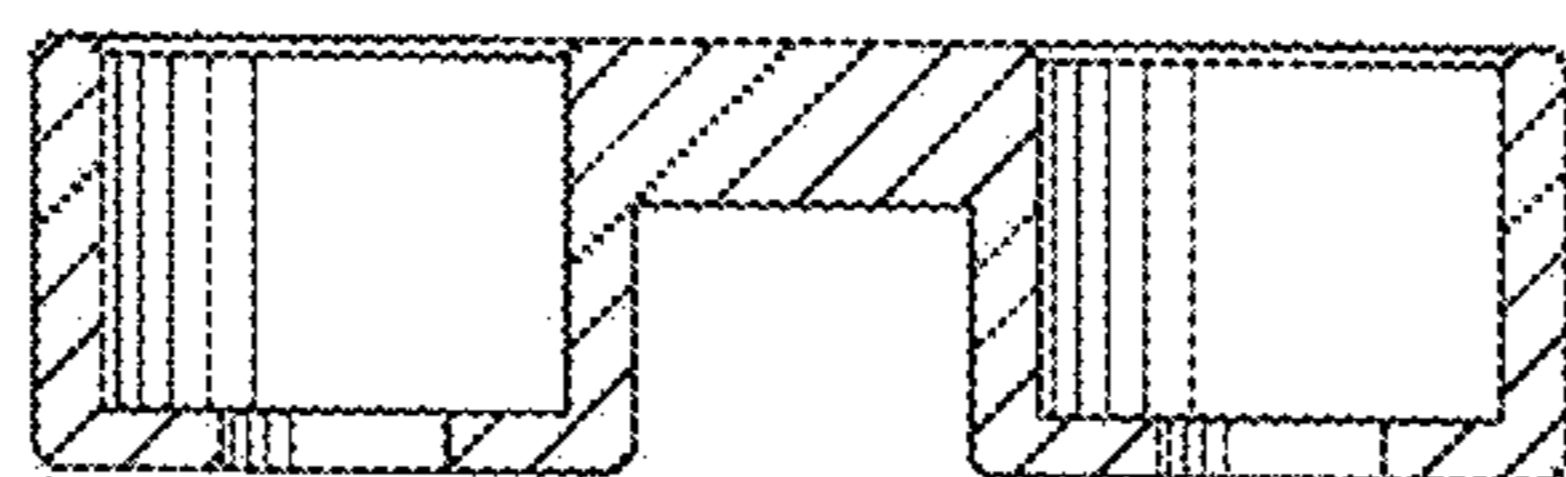
*Fig. 4*



*Fig. 5*



*Fig. 6*



*Fig. 7*