



US00D972470S

(12) **United States Design Patent** (10) **Patent No.:** **US D972,470 S**
Kim et al. (45) **Date of Patent:** **** Dec. 13, 2022**

(54) **FRONT BUMPER COVER FOR VEHICLES**

(71) Applicants: **HYUNDAI MOTOR COMPANY**,
Seoul (KR); **KIA MOTORS**
CORPORATION, Seoul (KR)

(72) Inventors: **Myeong-Joo Kim**, Incheon (KR);
Ki-Euk Kim, Hwaseong-si (KR)

(73) Assignees: **Hyundai Motor Company**, Seoul
(KR); **Kia Motors Corporation**, Seoul
(KR)

(**) Term: **15 Years**

(21) Appl. No.: **35/512,247**

(22) Filed: **May 31, 2021**

(80) **Hague Agreement Data**

Int. Filing Date: **May 31, 2021**

Int. Reg. No.: **DM/215203**

Int. Reg. Date: **May 31, 2021**

Int. Reg. Pub. Date: **Jul. 23, 2021**

(30) **Foreign Application Priority Data**

Jan. 28, 2021 (KR) 30-2021-0004397

(51) **LOC (13) Cl.** **12-16**

(52) **U.S. Cl.**
USPC **D12/169**

(58) **Field of Classification Search**

USPC D12/163-172

CPC B62D 25/10; B62D 25/105

See application file for complete search history.

(56) **References Cited**

U.S. PATENT DOCUMENTS

D626,473 S * 11/2010 Mueller D12/169

D909,931 S * 2/2021 Toriyama D12/169

D918,792 S * 5/2021 Koo D12/169
D939,408 S * 12/2021 Kim B60R 19/50

D941,715 S * 1/2022 Ozawa B60R 19/50
D12/169

D946,474 S * 3/2022 Kim D12/169

D949,065 S * 4/2022 Lee D12/169

D952,527 S * 5/2022 Lim D12/169

* cited by examiner

Primary Examiner — Joseph Kukella

(74) *Attorney, Agent, or Firm* — Fox Rothschild LLP

(57) **CLAIM**

The ornamental design for a front bumper cover for vehicles,
as shown and described.

DESCRIPTION

1. Front bumper cover for vehicles

1.1 : Perspective

1.2 : Front

1.3 : Back

1.4 : Right

1.5 : Left

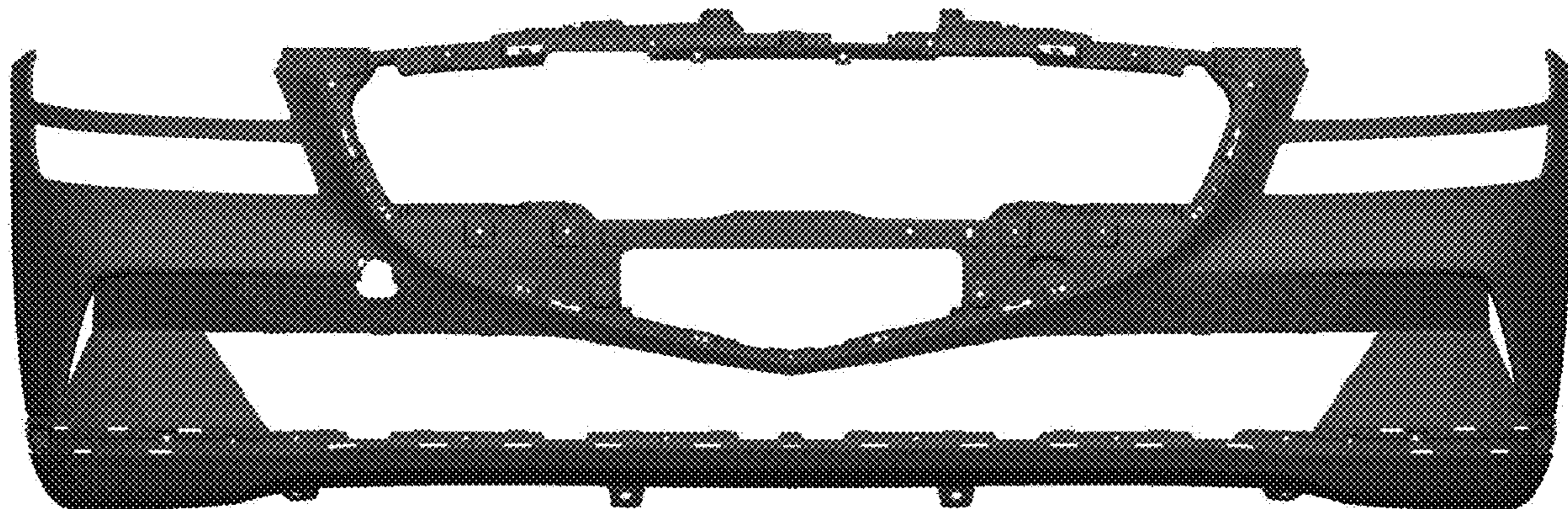
1.6 : Top

1.7 : Bottom

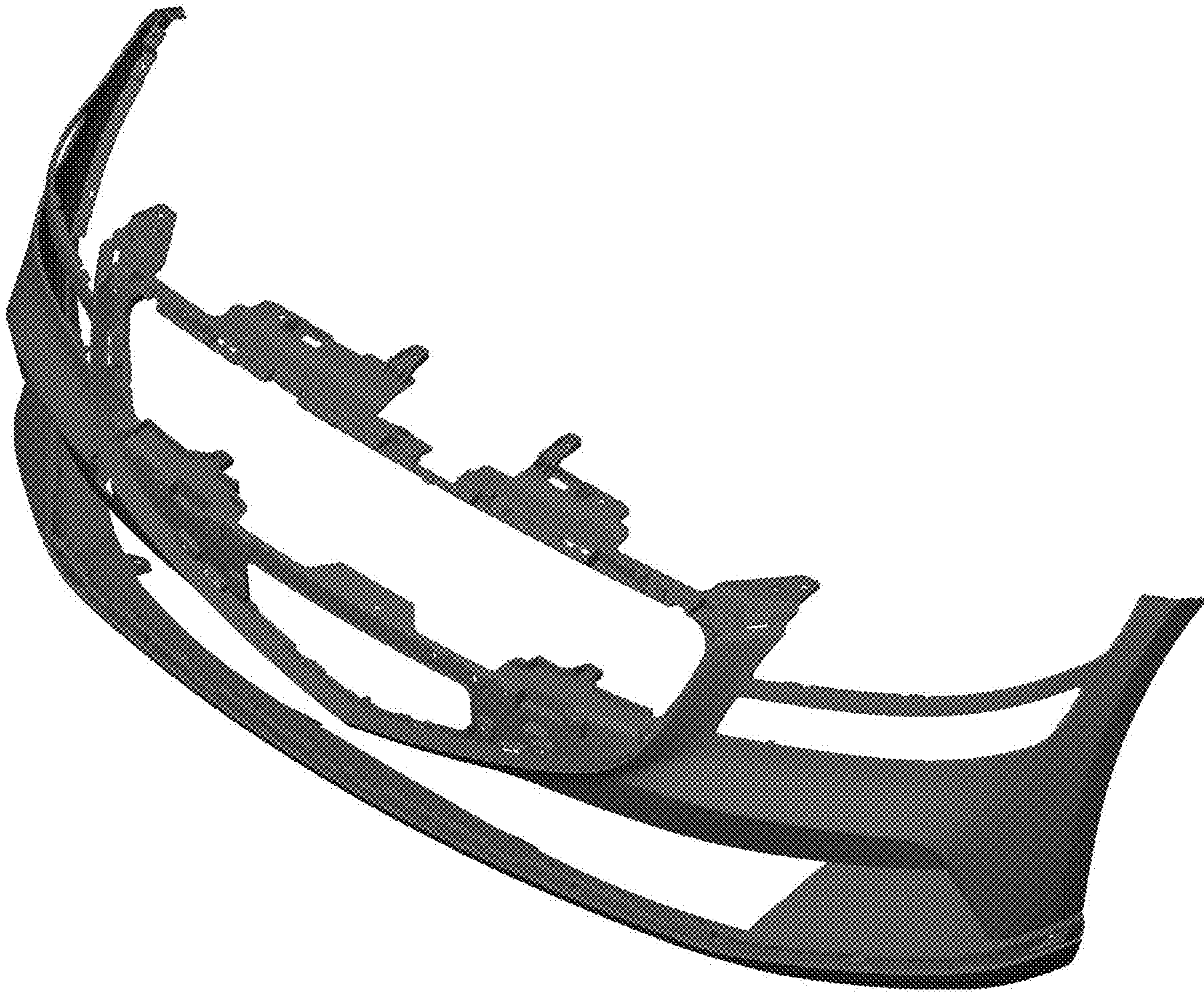
1.8 : Perspective

1.1 is a top, front, and left side perspective view of a front bumper cover for vehicles embodying our new design; 1.2 is a front elevation view thereof; 1.3 is a rear elevation view thereof; 1.4 is a right side elevation view thereof; 1.5 is a left side elevation view thereof; 1.6 is a top plan view thereof; 1.7 is a bottom plan view thereof; and 1.8 is a bottom, front, and left side perspective view thereof. This article is mounted on the front of vehicles, and is used to reduce the shock transmitted to the vehicle in the event of collision.

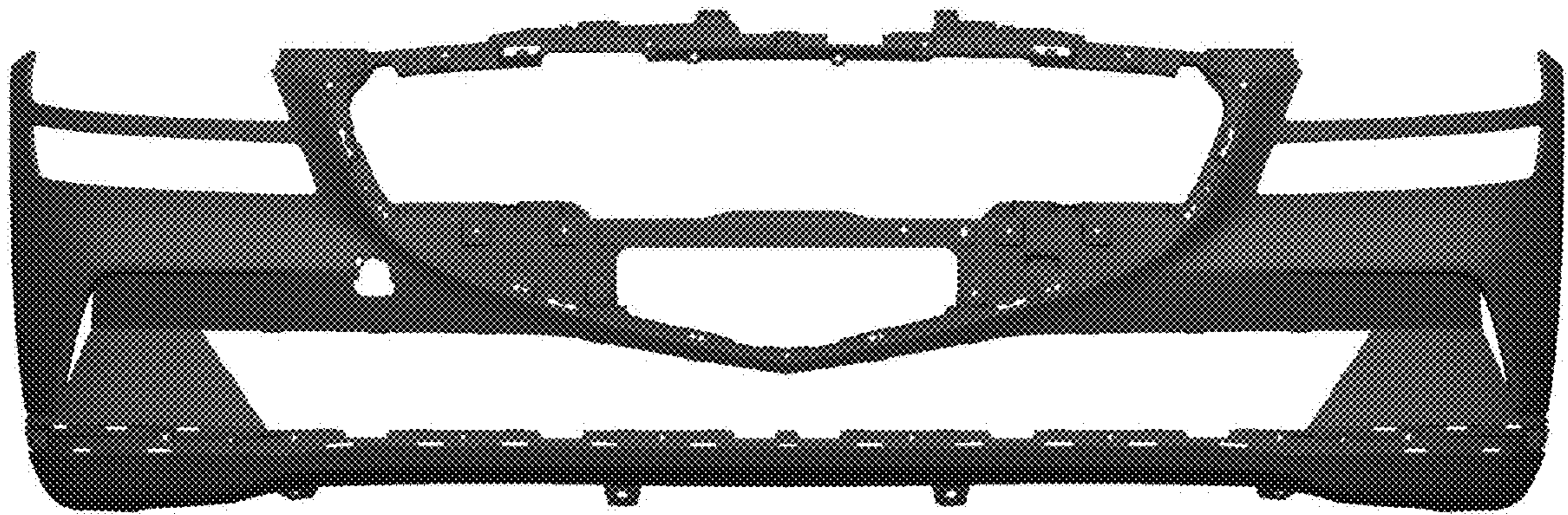
1 Claim, 8 Drawing Sheets



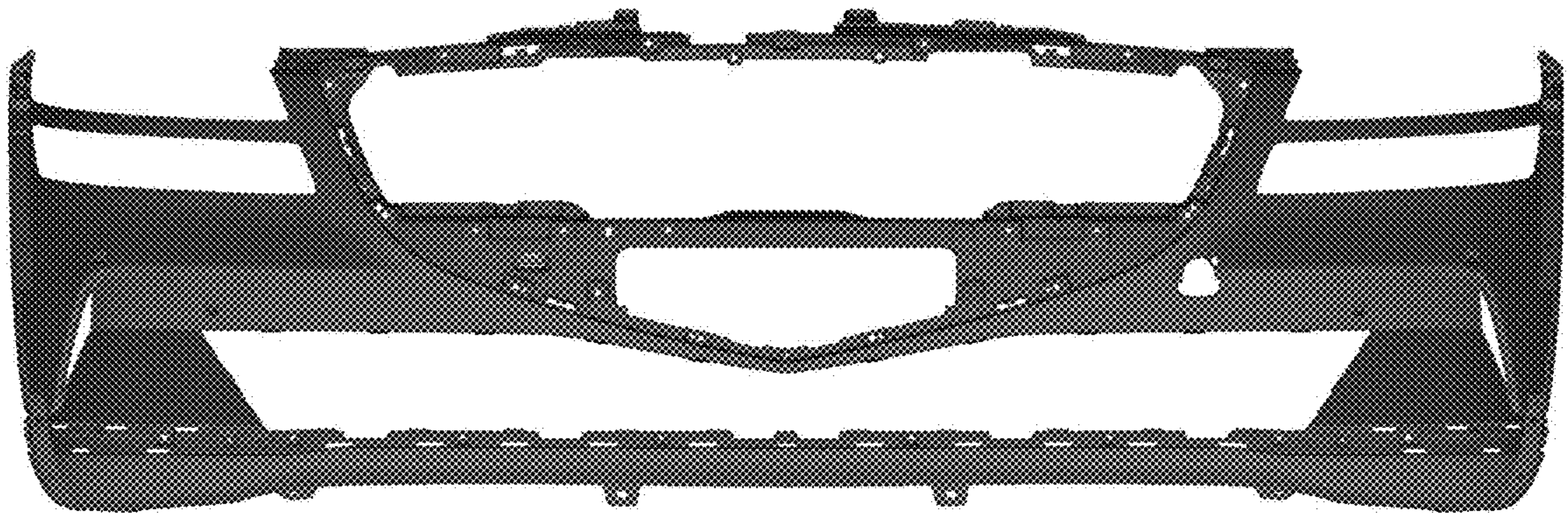
1.1



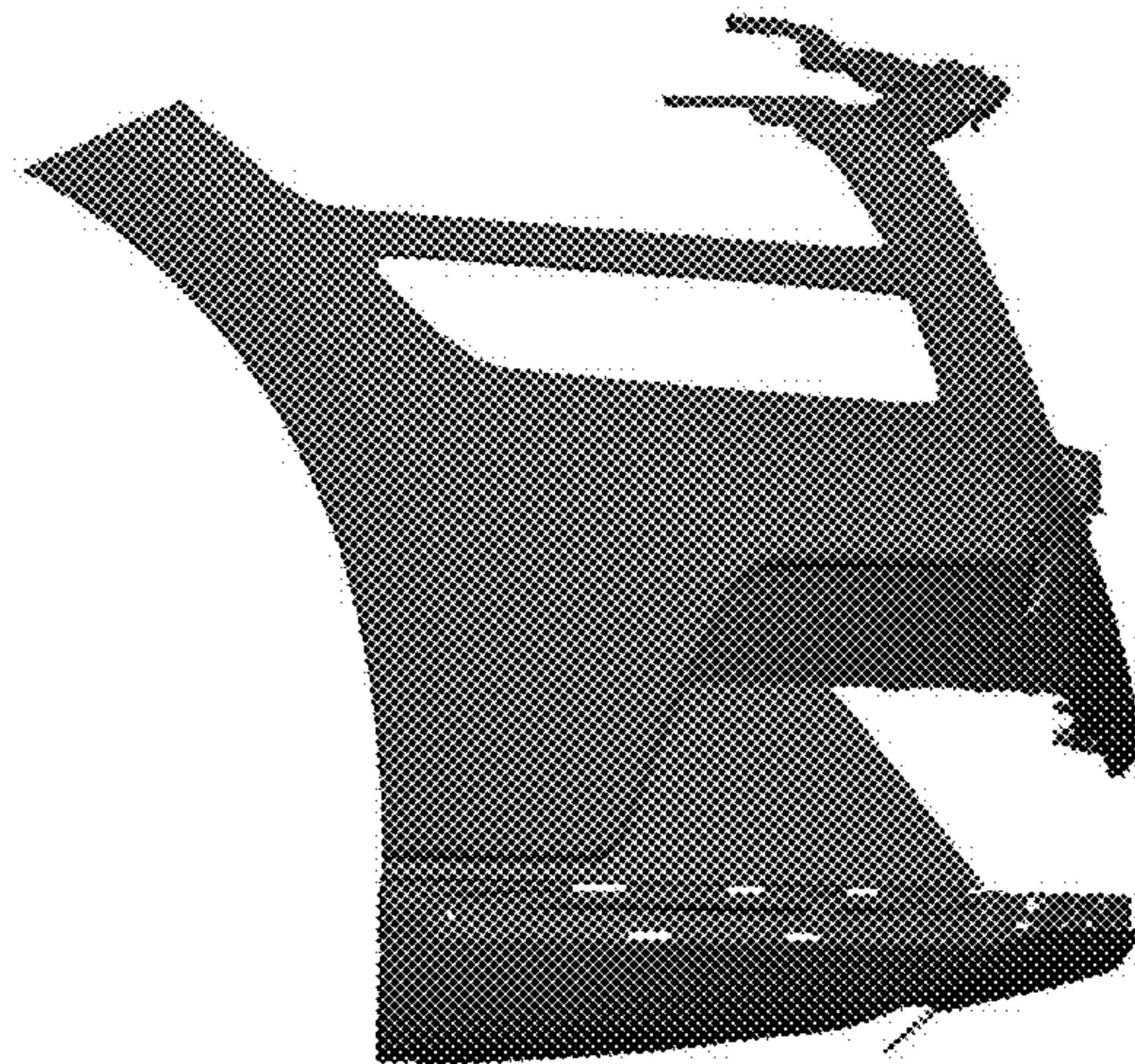
1.2



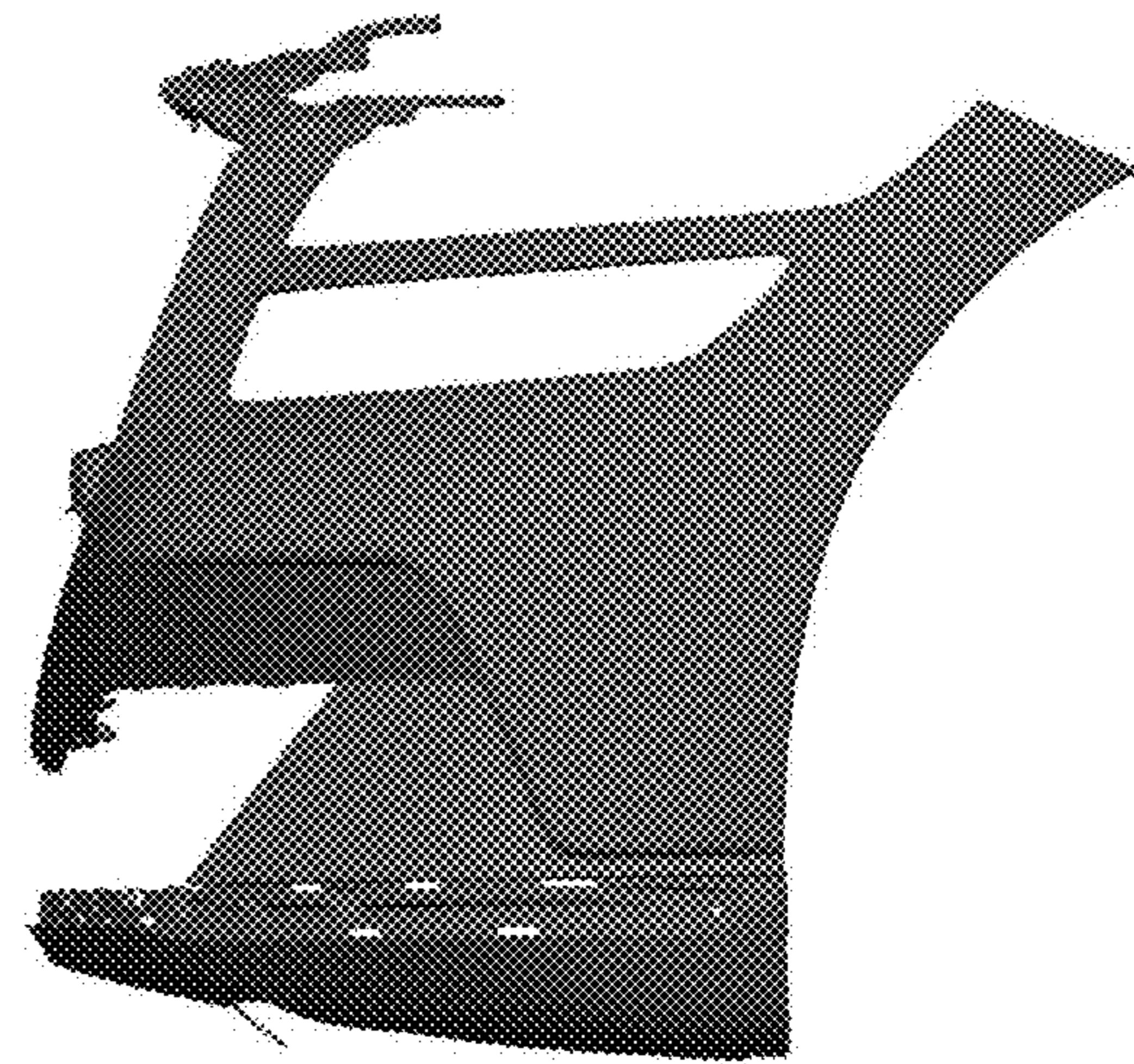
1.3



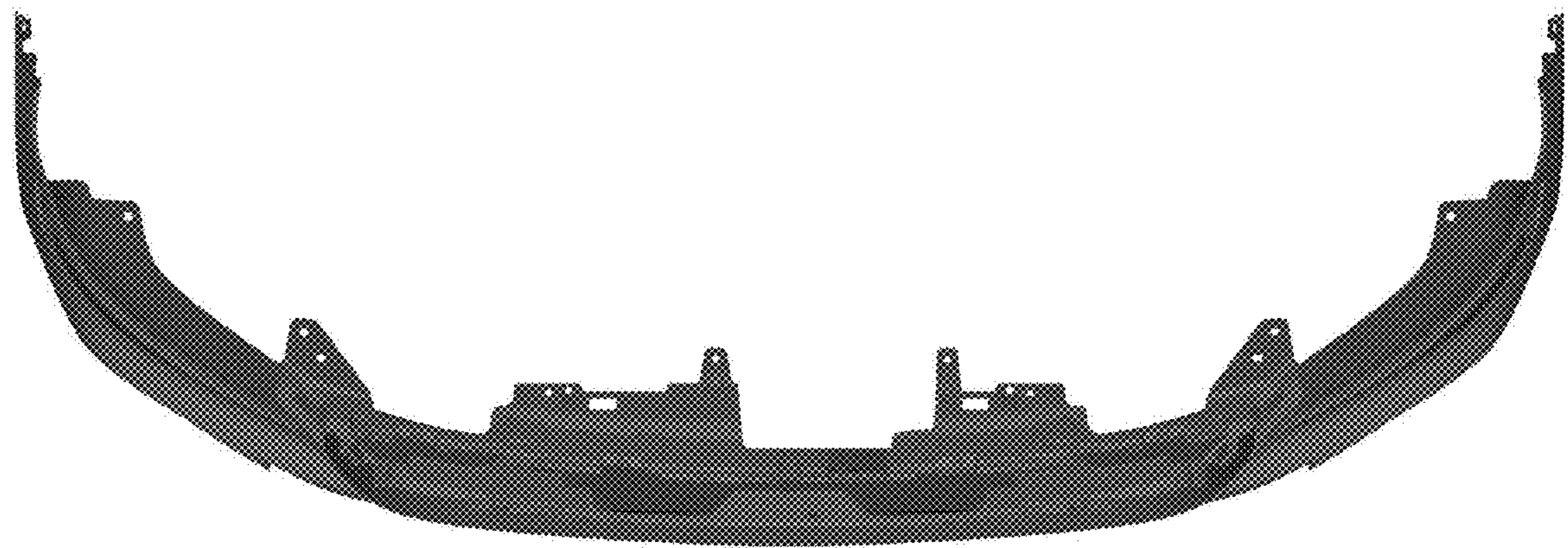
1.4



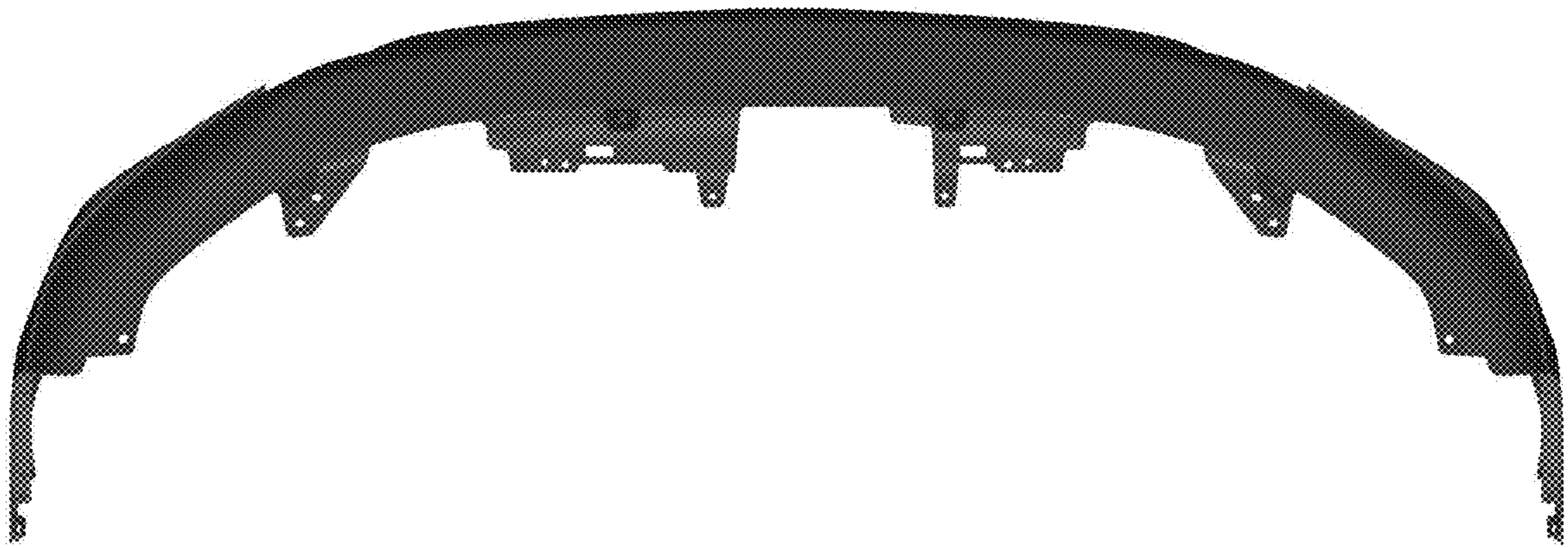
1.5



1.6



1.7



1.8

