



US00D972467S

(12) **United States Design Patent** (10) **Patent No.:** **US D972,467 S**  
**Ni et al.** (45) **Date of Patent:** **\*\* Dec. 13, 2022**

(54) **REAR BUMPER FOR AN AUTOMOBILE**

(71) Applicant: **TOYOTA JIDOSHA KABUSHIKI KAISHA**, Toyota (JP)

(72) Inventors: **Miaojie Ni**, Tianjin (CN); **Makoto Takahashi**, Novi, MI (US)

(73) Assignee: **TOYOTA JIDOSHA KABUSHIKI KAISHA**, Toyota (JP)

(\*\*) Term: **15 Years**

(21) Appl. No.: **29/785,376**

(22) Filed: **May 25, 2021**

(51) **LOC (13) Cl.** ..... **12-16**

(52) **U.S. Cl.**  
USPC ..... **D12/169**

(58) **Field of Classification Search**  
USPC ..... D12/169, 196, 86, 90-92, 163, 190, 98,  
D12/164; 293/102, 113, 115, 117, 120,  
293/193.11; 296/180.1, 180.2  
CPC ..... B60R 19/02; B60R 19/04; B62D 25/08  
See application file for complete search history.

(56) **References Cited**

**U.S. PATENT DOCUMENTS**

D561,070 S *	2/2008	Gresens	.....	D12/169
D561,071 S *	2/2008	Golden	.....	D12/169
D566,017 S *	4/2008	Pfeiffer	.....	D12/169
D585,002 S *	1/2009	Tamura	.....	D12/169
D592,570 S *	5/2009	Lamm	.....	D12/169
D605,568 S *	12/2009	Ward	.....	D12/169
D609,614 S *	2/2010	Okue	.....	D12/169
D631,407 S *	1/2011	Kuze	.....	D12/169
D640,613 S *	6/2011	Bauer	.....	D12/169
D644,573 S *	9/2011	Bauer	.....	D12/169
D644,578 S *	9/2011	Messale	.....	D12/169
D653,593 S *	2/2012	Nishihama	.....	D12/169
D675,140 S *	1/2013	Ohkoshi	.....	D12/169
D683,282 S *	5/2013	Fuchigami	.....	D12/169

D683,285 S *	5/2013	Yoshida	.....	D12/169
D769,780 S *	10/2016	Lesnik	.....	D12/164
D819,523 S *	6/2018	Yamamoto	.....	D12/169
D833,330 S *	11/2018	Sakai	.....	D12/91
D838,638 S *	1/2019	Wada	.....	D12/169
D854,982 S *	7/2019	Horie	.....	D12/169
D854,983 S *	7/2019	Katou	.....	D12/169
D856,208 S *	8/2019	Takahashi	.....	D12/169
D864,803 S *	10/2019	Sakai	.....	D12/169
D886,003 S *	6/2020	Kusunoki	.....	D12/169
D887,914 S *	6/2020	Utsunomiya	.....	D12/169
D904,248 S *	12/2020	Katou	.....	D12/169
D904,249 S *	12/2020	Bischoff	.....	D12/169
D904,941 S *	12/2020	Utsunomiya	.....	D12/169

(Continued)

**OTHER PUBLICATIONS**

netcarshow.com, Toyota Highlander XSE (2021), <[https://www.netcarshow.com/toyota/2021-highlander\\_xse/](https://www.netcarshow.com/toyota/2021-highlander_xse/)>, available as early as Jul. 27, 2020.

(Continued)

*Primary Examiner* — Melody N Brown

(74) *Attorney, Agent, or Firm* — Saidman DesignLaw Group, LLC

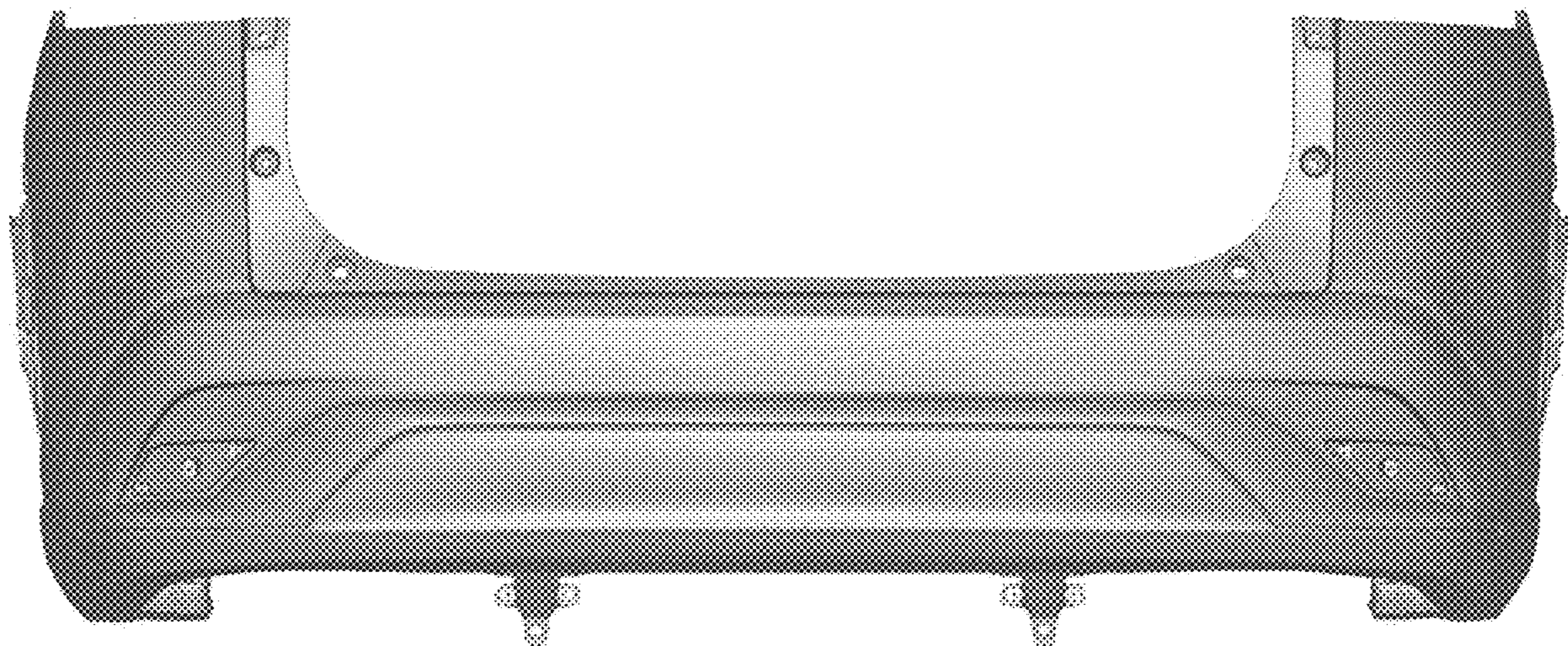
(57) **CLAIM**

The ornamental design for a rear bumper for an automobile, as shown and described.

**DESCRIPTION**

FIG. 1 is a perspective view of a rear bumper for an automobile showing our new design; FIG. 2 is a front view thereof; FIG. 3 is a rear view thereof; FIG. 4 is a right side view thereof; FIG. 5 is a left side view thereof; FIG. 6 is a top view thereof; and, FIG. 7 is a bottom view thereof.

**1 Claim, 7 Drawing Sheets**



(56)

**References Cited**

U.S. PATENT DOCUMENTS

D913,876 S	*	3/2021	Bischoff .....	D12/169
D934,134 S	*	10/2021	Giumentaro .....	D12/169
D934,751 S	*	11/2021	Taubert .....	D12/169
D934,754 S	*	11/2021	Minamiyama .....	D12/169
D935,357 S	*	11/2021	Akcay .....	D12/169
D935,955 S	*	11/2021	Hayashi .....	D12/169
D938,322 S	*	12/2021	Hirai .....	D12/169
D938,867 S	*	12/2021	Becker .....	D12/169
D958,018 S	*	7/2022	Murabayashi .....	D12/169
D958,024 S	*	7/2022	Nakagawa .....	D12/169
D958,026 S	*	7/2022	Nakagawa .....	D12/169

OTHER PUBLICATIONS

netcarshow.com, Hyundai Kona (2018), <<https://www.netcarshow.com/hyundai/2018-kona/>>, available as early as Jul. 27, 2020.

\* cited by examiner

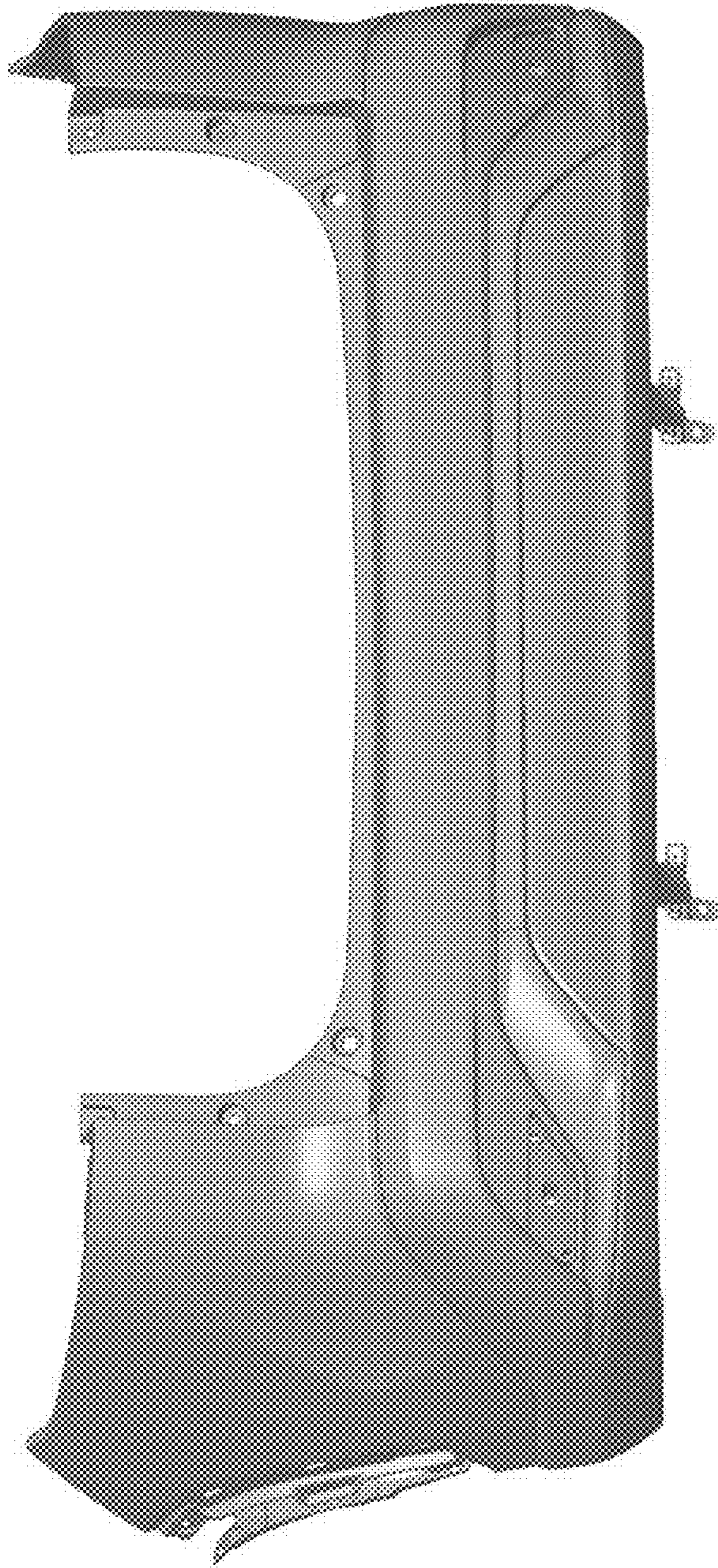


FIG. 1

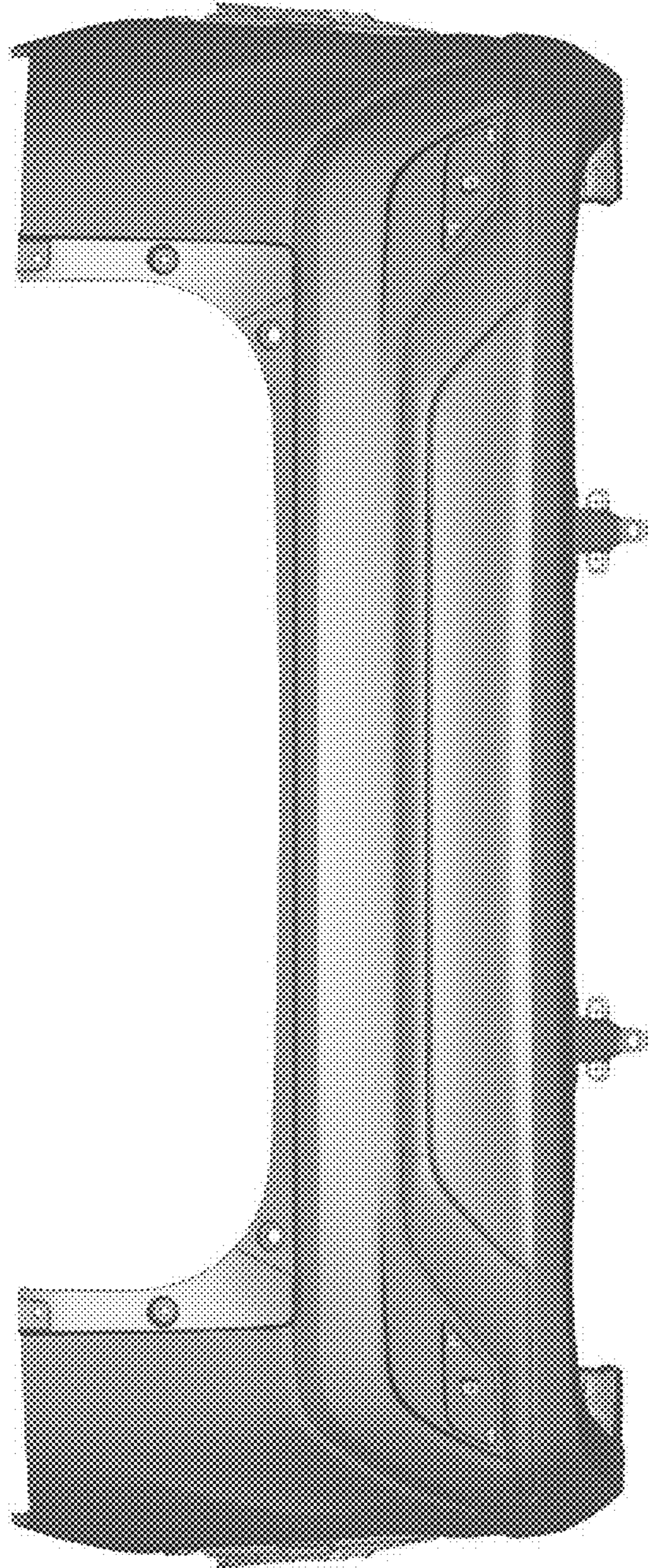


FIG. 2

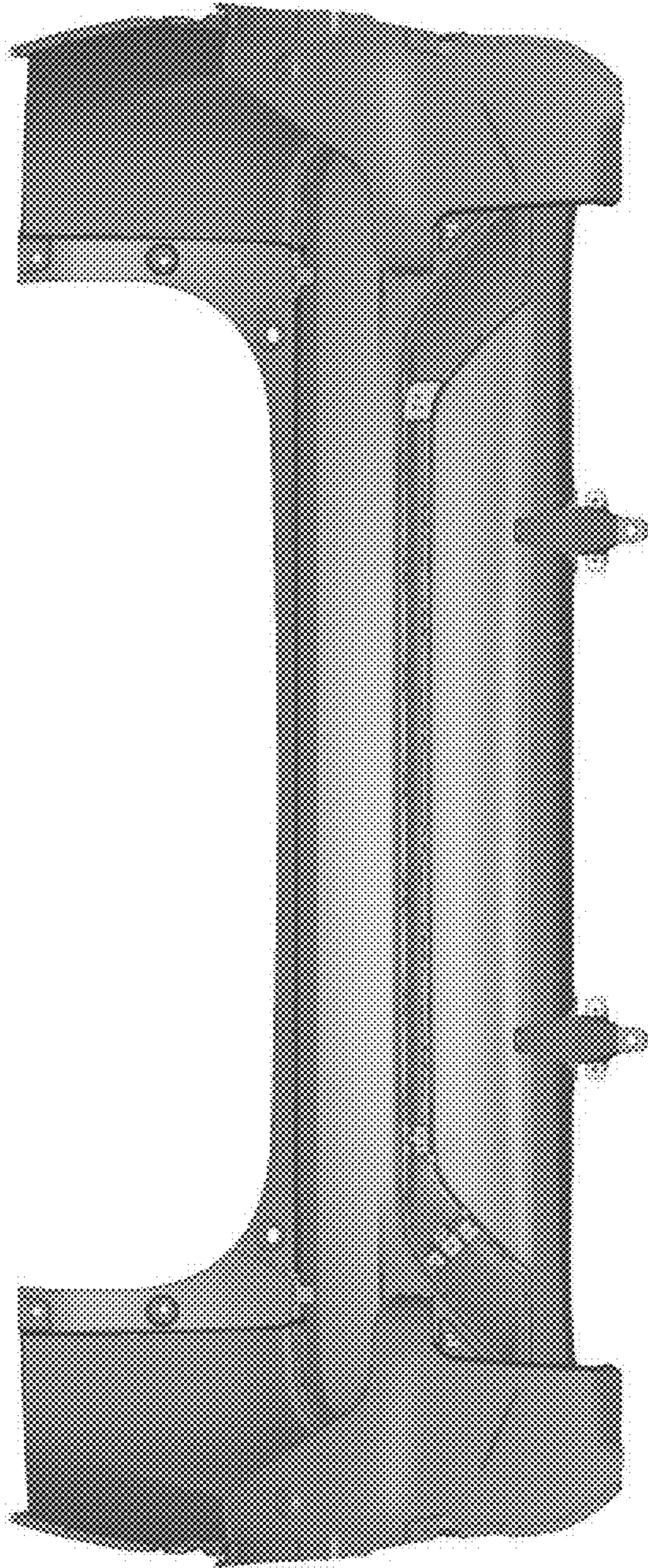


FIG. 3

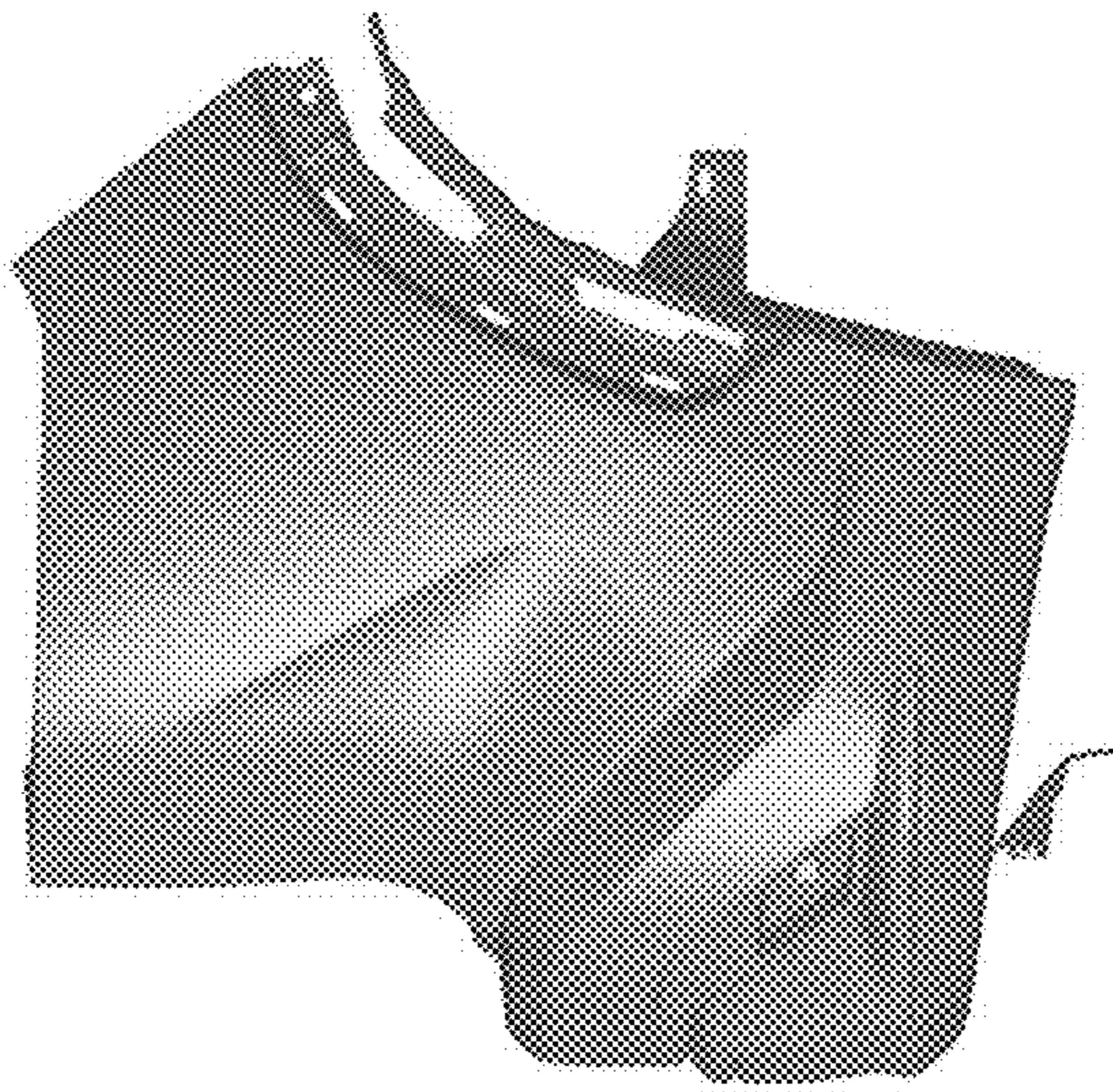


FIG. 4

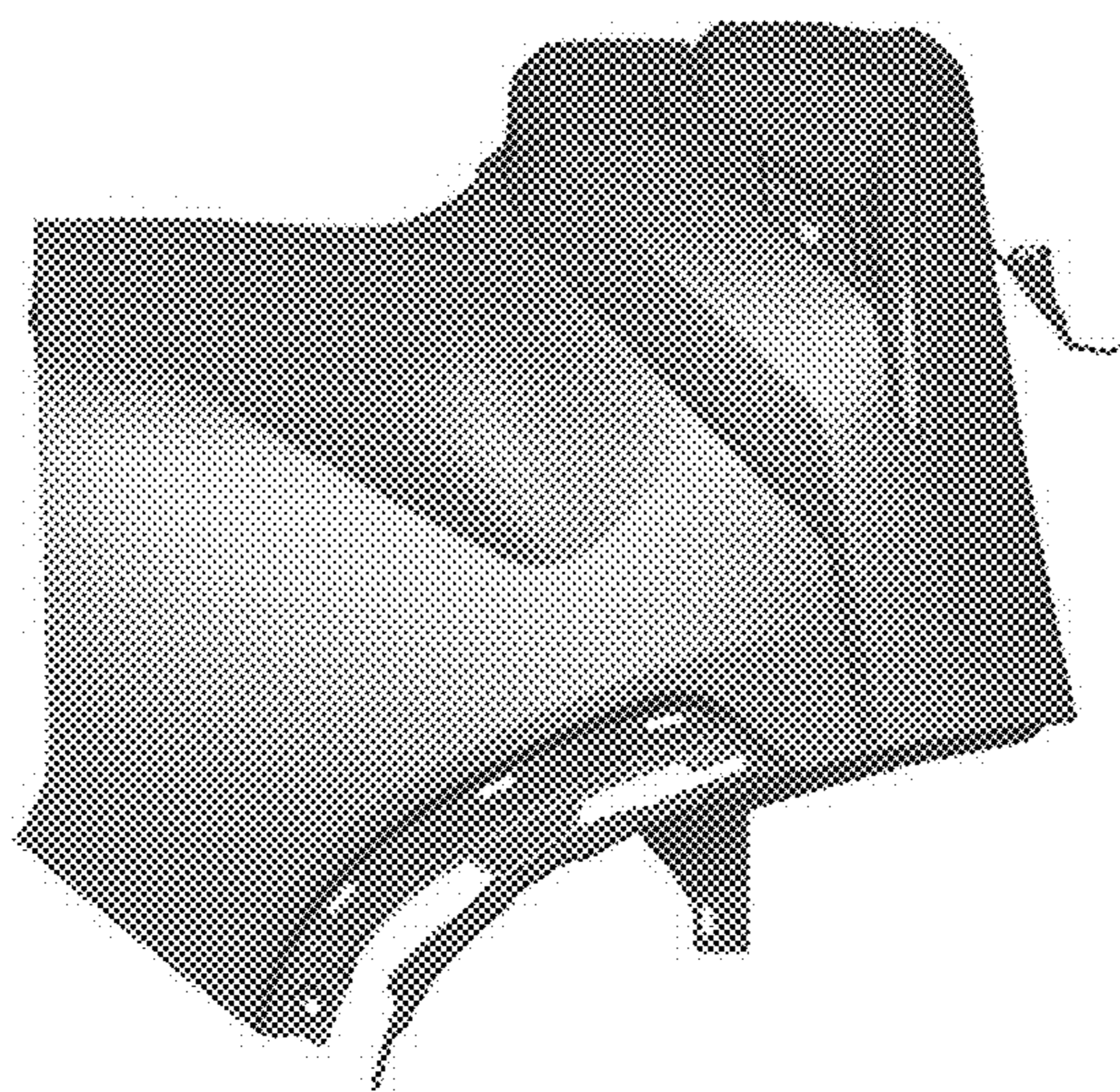


FIG. 5

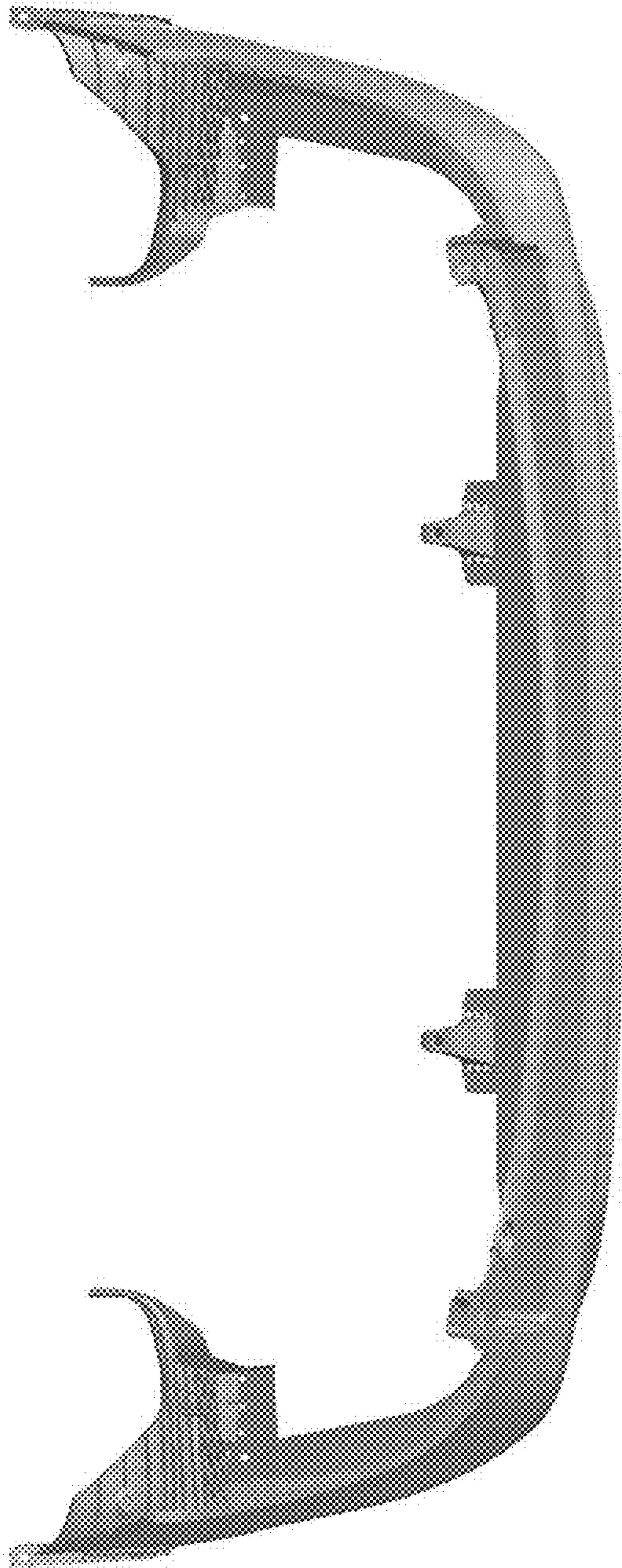


FIG. 6



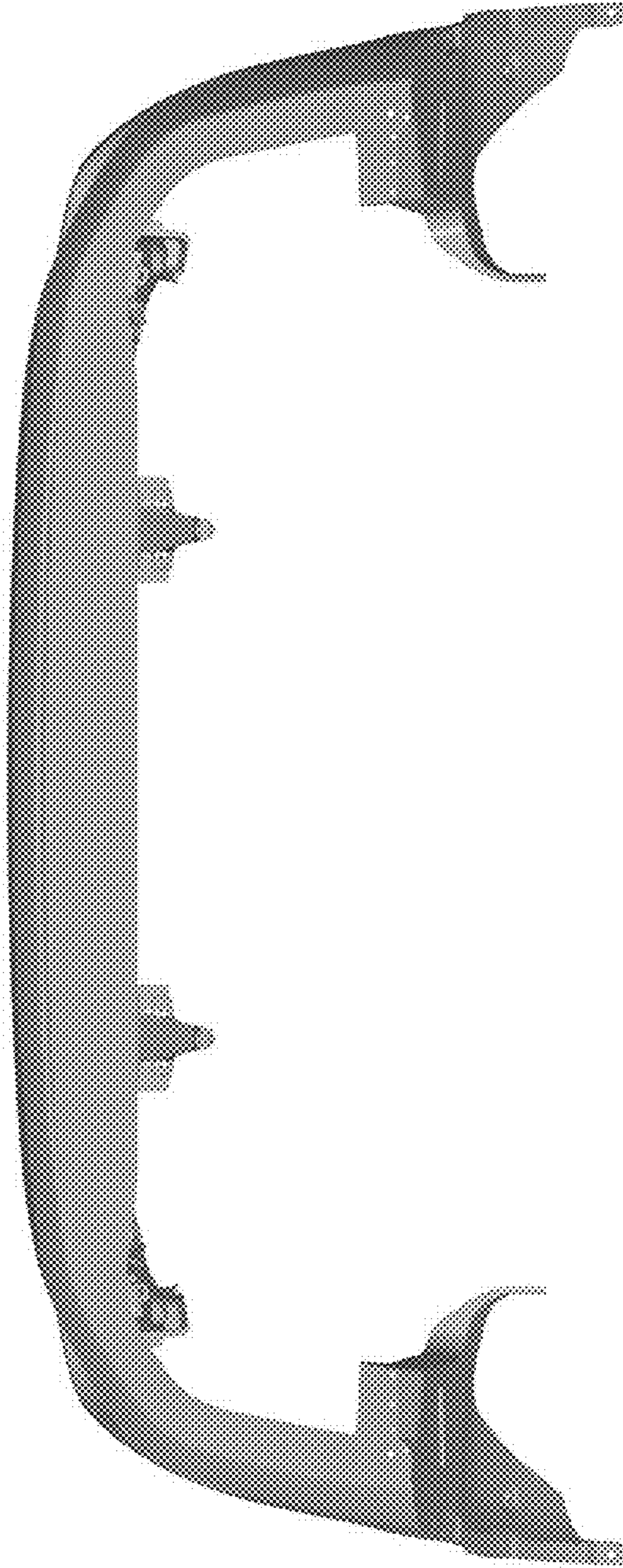


FIG. 7