



US00D972466S

(12) **United States Design Patent**
Hirai et al.

(10) **Patent No.:** **US D972,466 S**

(45) **Date of Patent:** **** Dec. 13, 2022**

(54) **FRONT BUMPER FOR AN AUTOMOBILE**

(71) Applicant: **TOYOTA JIDOSHA KABUSHIKI KAISHA**, Toyota (JP)

(72) Inventors: **Tokiko Hirai**, Nagakute (JP); **Makoto Takahashi**, Novi, MI (US); **Toshiki Okura**, Okazaki (JP)

(73) Assignee: **TOYOTA JIDOSHA KABUSHIKI KAISHA**, Toyota (JP)

(**) Term: **15 Years**

(21) Appl. No.: **29/785,374**

(22) Filed: **May 25, 2021**

(51) **LOC (13) Cl.** **12-16**

(52) **U.S. Cl.**
USPC **D12/169**

(58) **Field of Classification Search**
USPC D12/169, 196, 86, 90-92, 163, 190, 98,
D12/164; 293/102, 113, 115, 117, 120,
293/193.11; 296/180.1, 180.2
CPC B60R 19/02; B60R 19/04; B62D 25/08
See application file for complete search history.

(56) **References Cited**

U.S. PATENT DOCUMENTS

D824,820 S *	8/2018	Nakamura	D12/169
D825,410 S *	8/2018	Nakamura	D12/169
D829,616 S *	10/2018	Fuchino	D12/169
D829,617 S *	10/2018	Takamatsu	D12/169
D829,618 S *	10/2018	Kamahara	D12/169
D830,250 S *	10/2018	Tomita	D12/169
D835,014 S *	12/2018	Ea	D12/169
D839,150 S *	1/2019	Roller	D12/169
D839,151 S *	1/2019	Cartabiano	D12/169
D856,220 S *	8/2019	Koyama	D12/169
D856,221 S *	8/2019	Sakaue	D12/169
D870,614 S *	12/2019	Ea	D12/170
D874,997 S *	2/2020	Campbell	D12/169

D886,692 S *	6/2020	Yokoi	D12/169
D906,907 S *	1/2021	Yagi	D12/169
D918,104 S *	5/2021	Ito	D12/169
D918,795 S *	5/2021	Kato	D12/169
D918,799 S *	5/2021	Fukunaga	D12/169
D918,800 S *	5/2021	Nagasaka	D12/169
D939,402 S *	12/2021	Kushima	D12/169
D939,403 S *	12/2021	Matsumoto	D12/169
D939,404 S *	12/2021	Takeda	D12/169
D939,405 S *	12/2021	Kobayashi	D12/169
D953,944 S *	6/2022	Kochi	D12/169
D955,305 S *	6/2022	Lee	D12/169

OTHER PUBLICATIONS

netcarshow.com, Toyota Highlander Xse (2021), <https://www.netcarshow.com/toyota/2021-highlander_xse/>, available as early as Jul. 27, 2020.

netcarshow.com, Kia Soul (2020) <<https://www.netcarshow.com/kia/2020-soul/>>, available as early as Jul. 27, 2020.

* cited by examiner

Primary Examiner — Melody N Brown
(74) *Attorney, Agent, or Firm* — Saidman DesignLaw Group, LLC

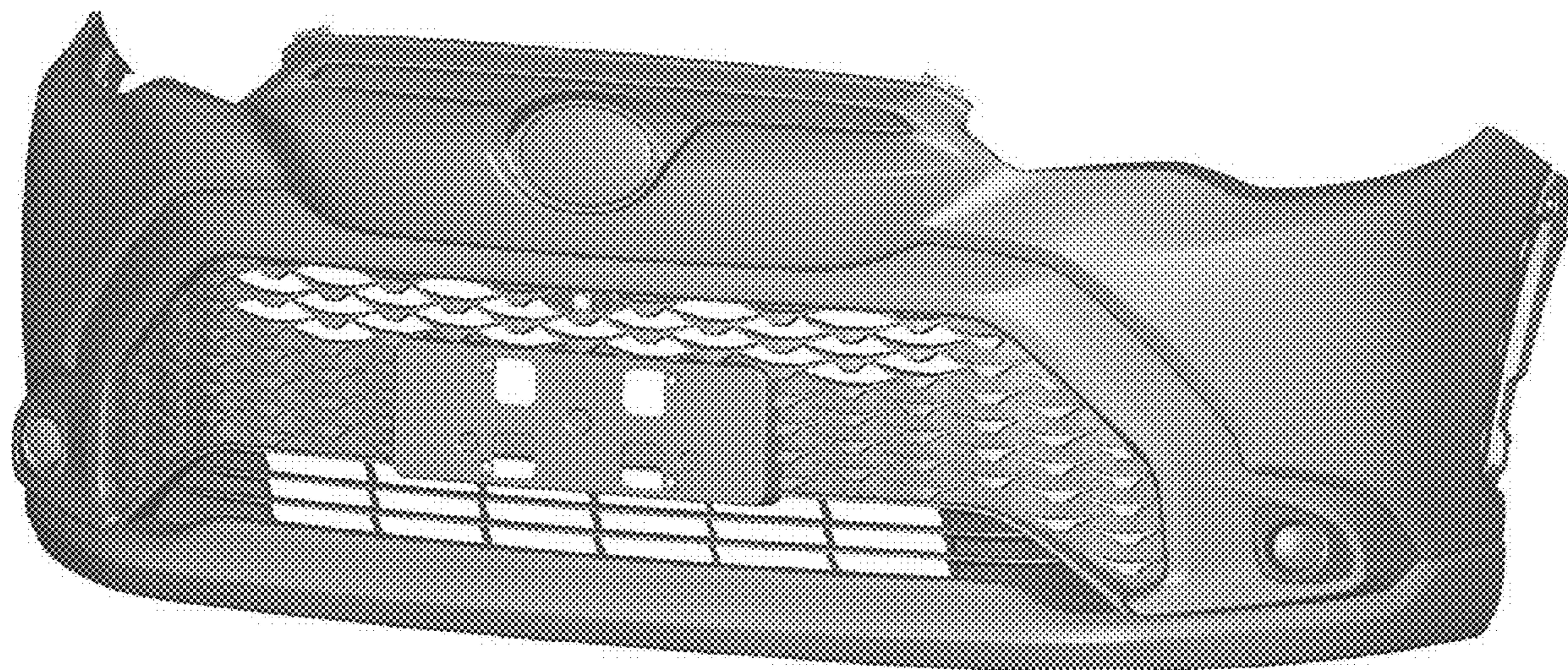
(57) **CLAIM**

The ornamental design for a front bumper for an automobile, as shown and described.

DESCRIPTION

FIG. 1 is a perspective view of a front bumper for an automobile showing our new design;
FIG. 2 is a front view thereof;
FIG. 3 is a rear view thereof;
FIG. 4 is a right side view thereof;
FIG. 5 is a left side view thereof;
FIG. 6 is a top view thereof; and,
FIG. 7 is a bottom view thereof.

1 Claim, 7 Drawing Sheets



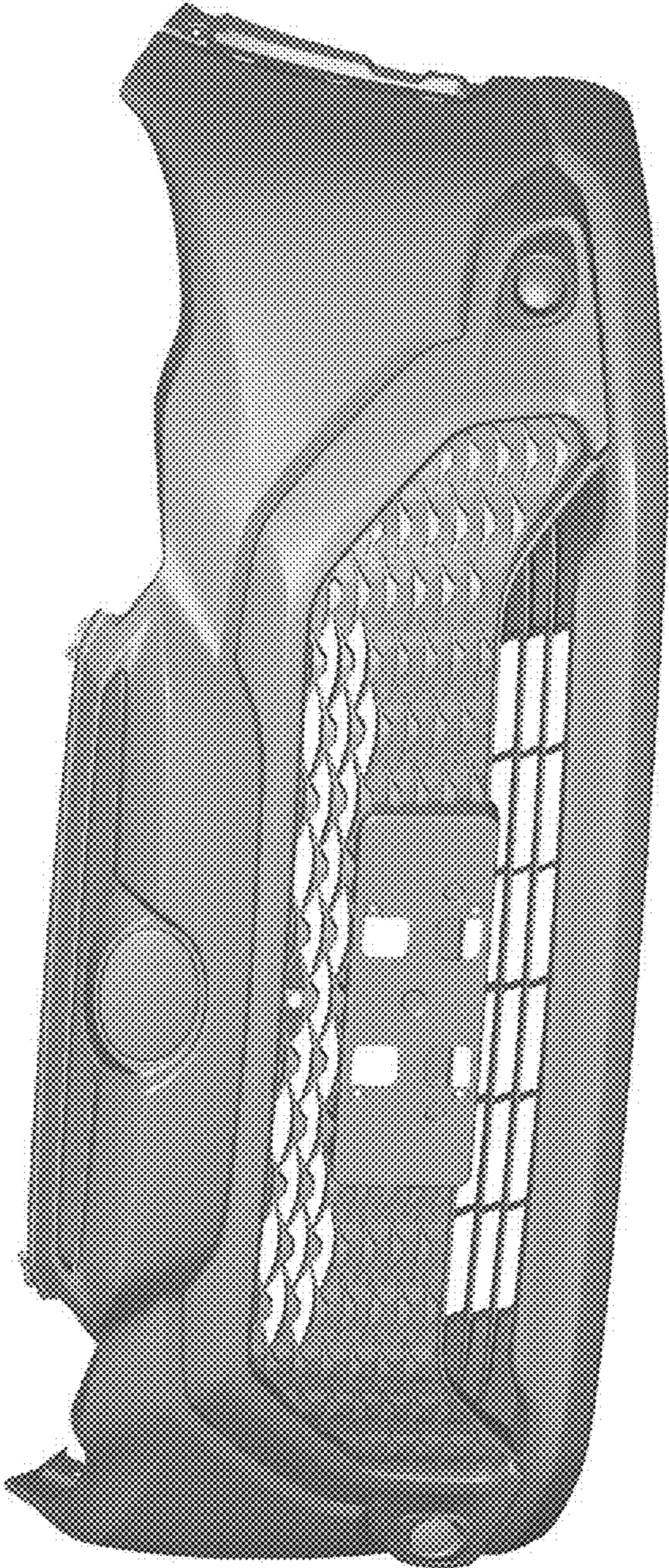


FIG. 1

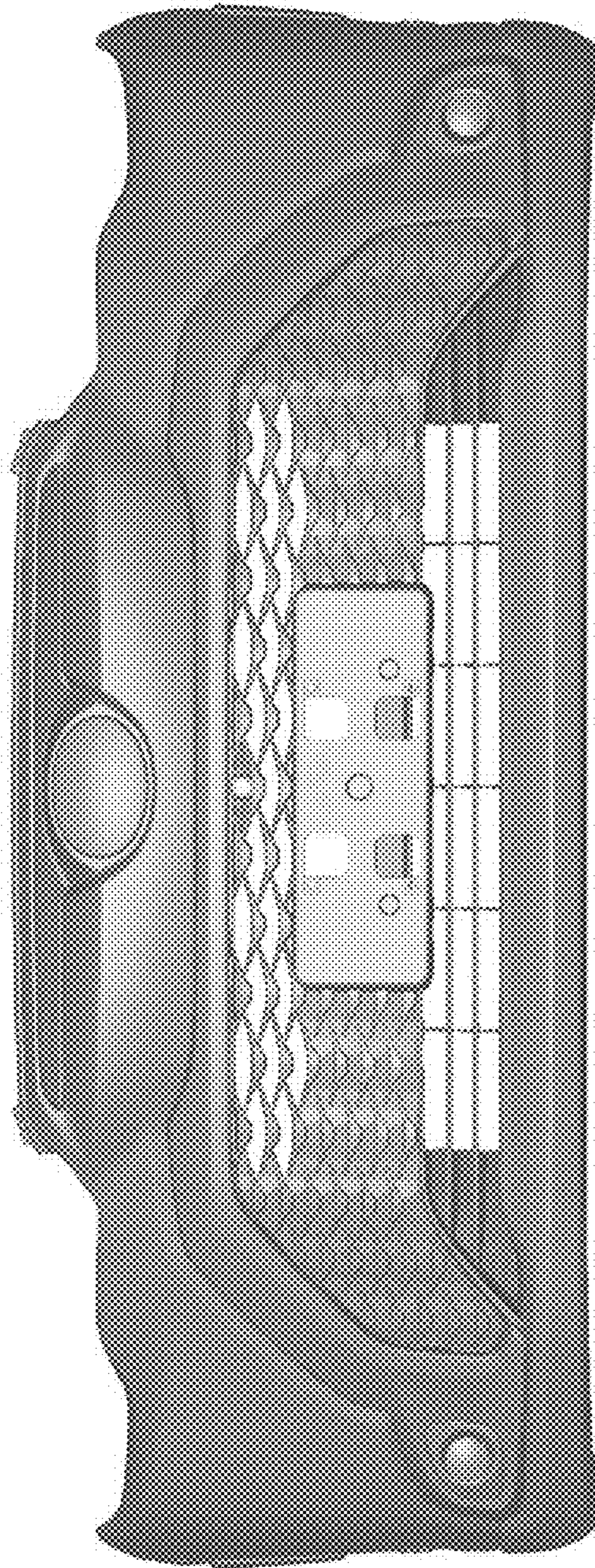


FIG. 2

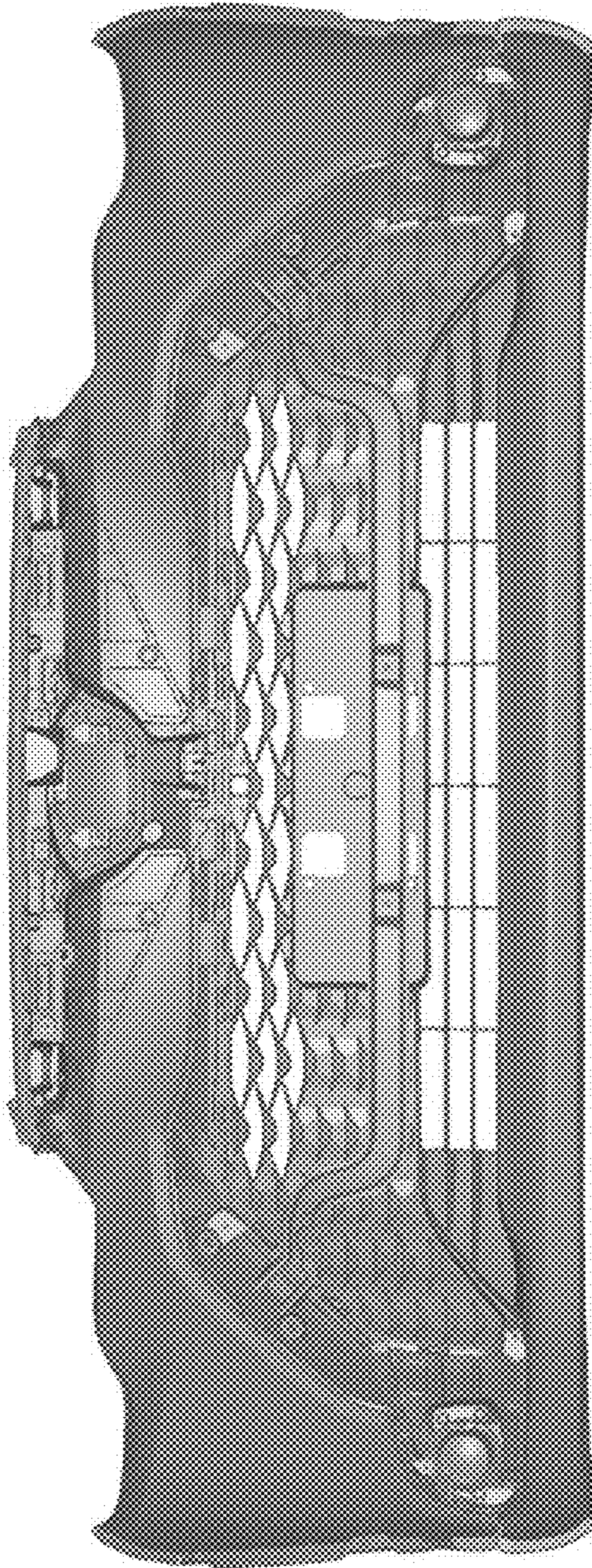


FIG. 3

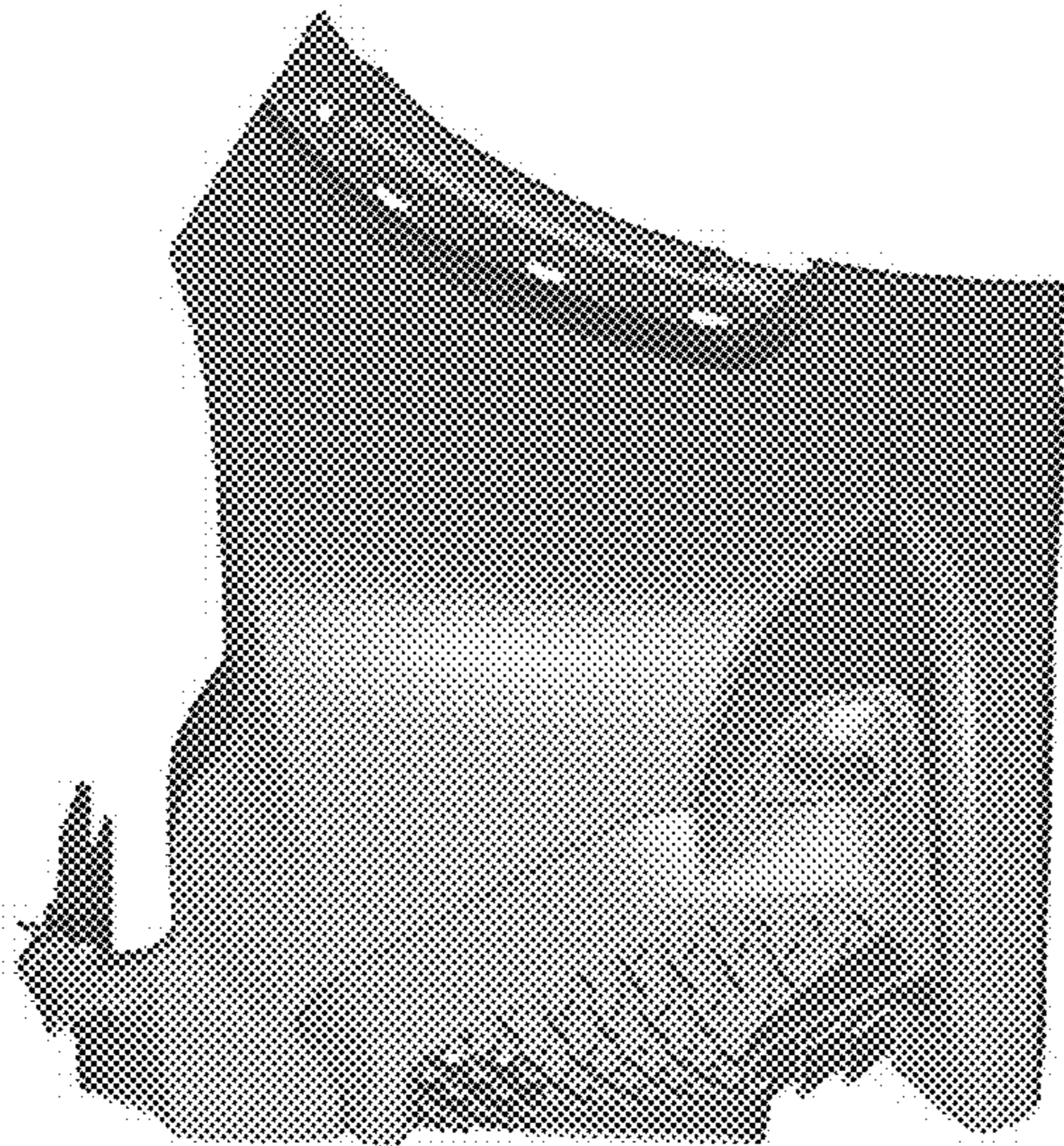


FIG. 4

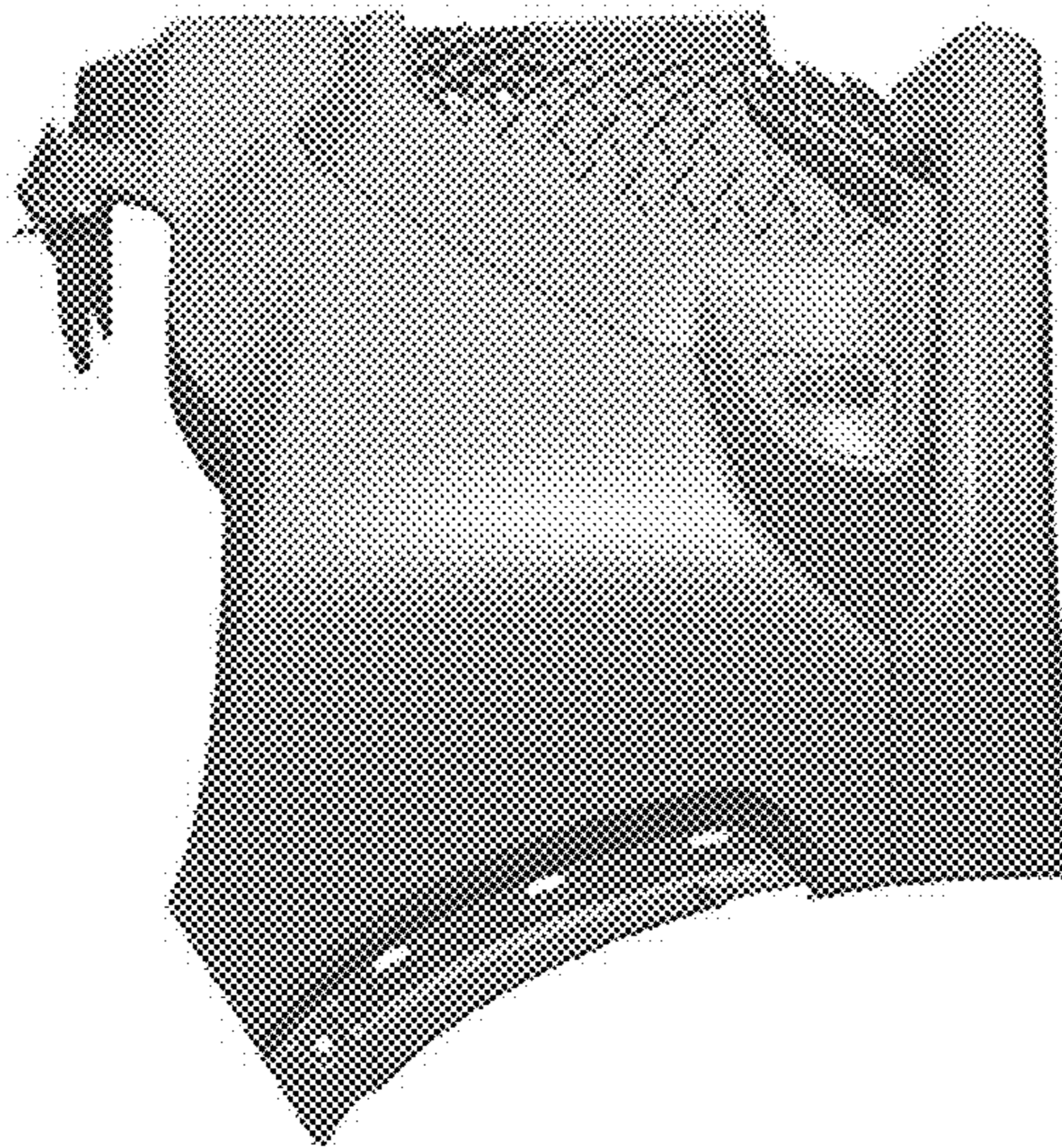


FIG. 5

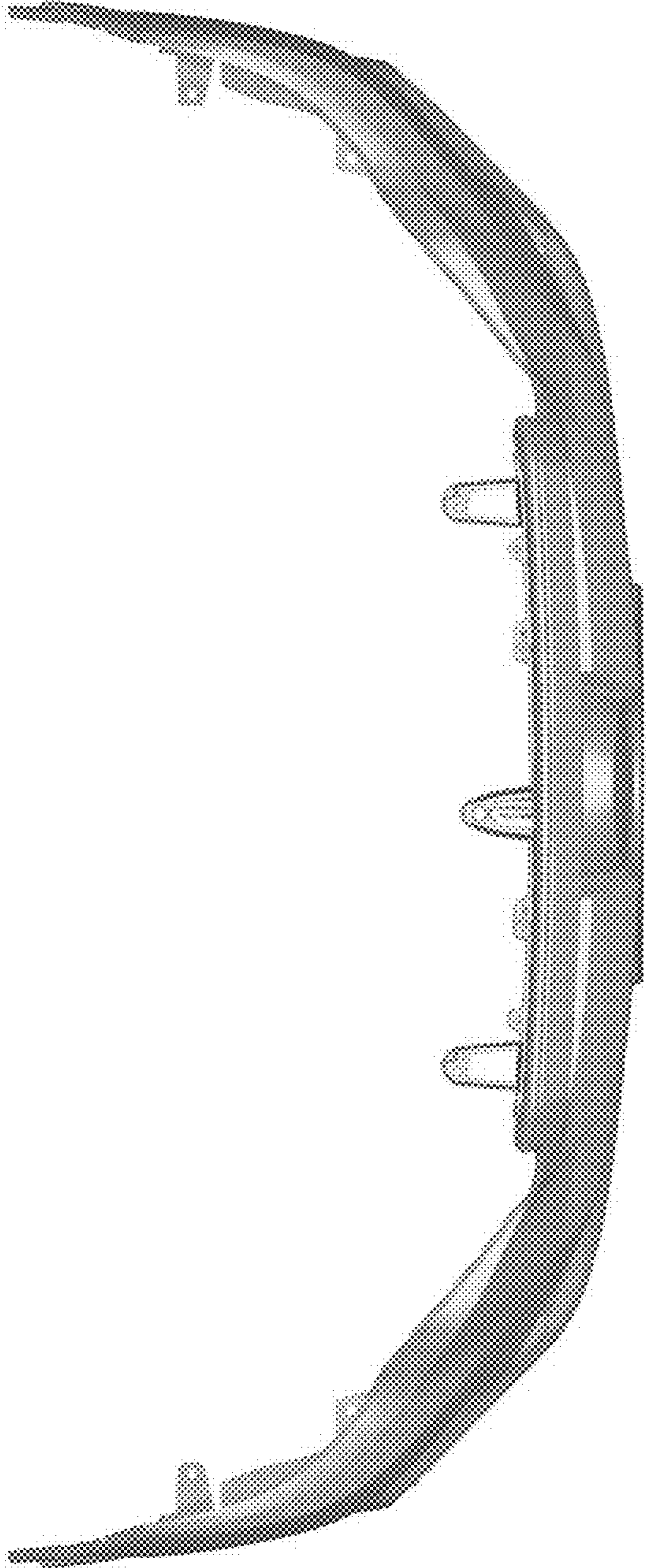


FIG. 6

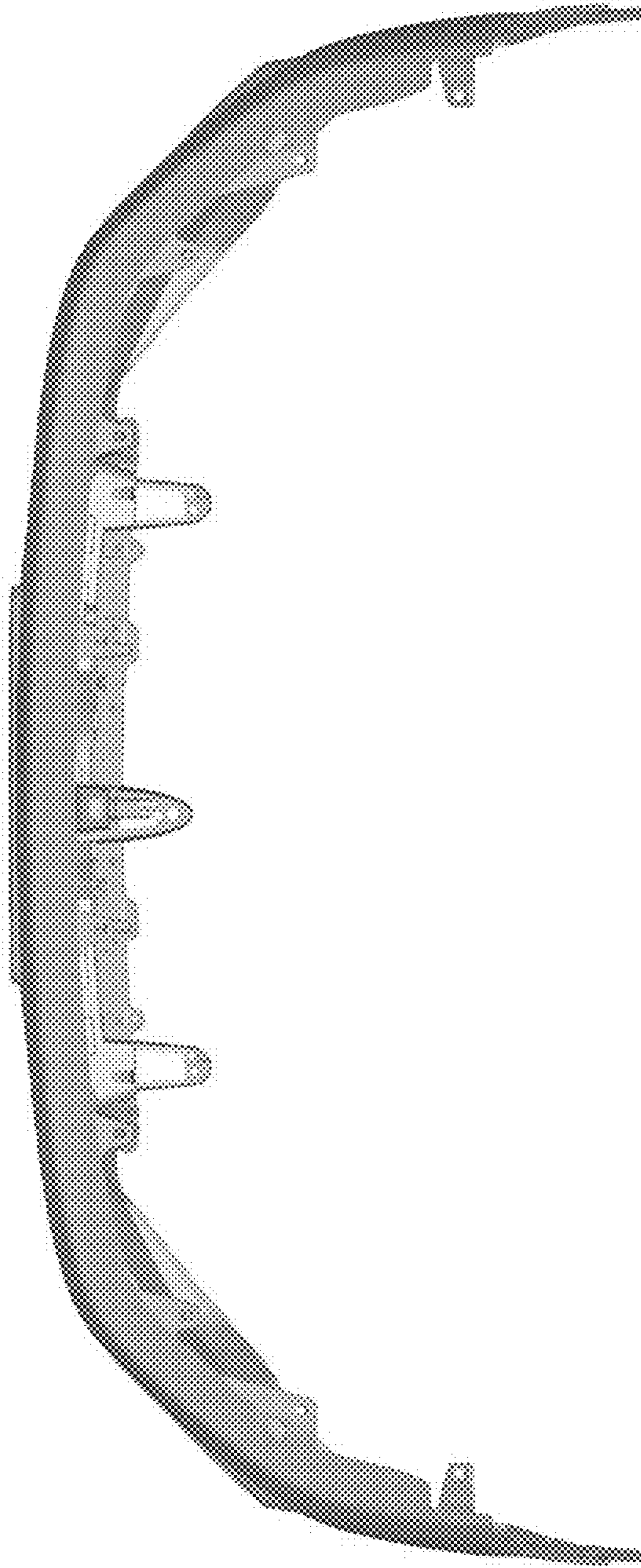


FIG. 7