



US00D972461S

(12) **United States Design Patent** (10) **Patent No.:** **US D972,461 S**  
**Prevoteaux** (45) **Date of Patent:** **\*\* Dec. 13, 2022**

(54) **GRILLE FOR A VEHICLE**  
(71) Applicant: **VOLVO CAR CORPORATION,**  
Gothenburg (SE)  
(72) Inventor: **Maxime Prevoteaux,** Gothenburg (SE)  
(73) Assignee: **VOLVO CAR CORPORATION,**  
Gothenburg (SE)  
(\*\*) Term: **15 Years**  
(21) Appl. No.: **29/785,878**  
(22) Filed: **May 27, 2021**  
(51) **LOC (13) Cl.** ..... **12-16**  
(52) **U.S. Cl.**  
USPC ..... **D12/163**  
(58) **Field of Classification Search**  
USPC ..... D12/169, 196, 86, 90-92, 163, 190, 98,  
D12/164; 293/102, 113, 115, 117, 120,  
293/193.11; 296/180.1, 180.2; 180/68.1,  
180/68.6  
CPC ..... B60R 19/52; B60K 11/08; B62D 25/08;  
B62B 9/16  
See application file for complete search history.

D809,978 S \* 2/2018 Myrberg ..... D12/163  
D814,367 S \* 4/2018 Myrberg ..... D12/171  
D876,280 S \* 2/2020 Mayer ..... D12/92  
D942,336 S \* 2/2022 Gunnarson ..... D12/163

\* cited by examiner

*Primary Examiner* — Melody N Brown

(74) *Attorney, Agent, or Firm* — Calderon Safran & Cole  
PC

(57) **CLAIM**

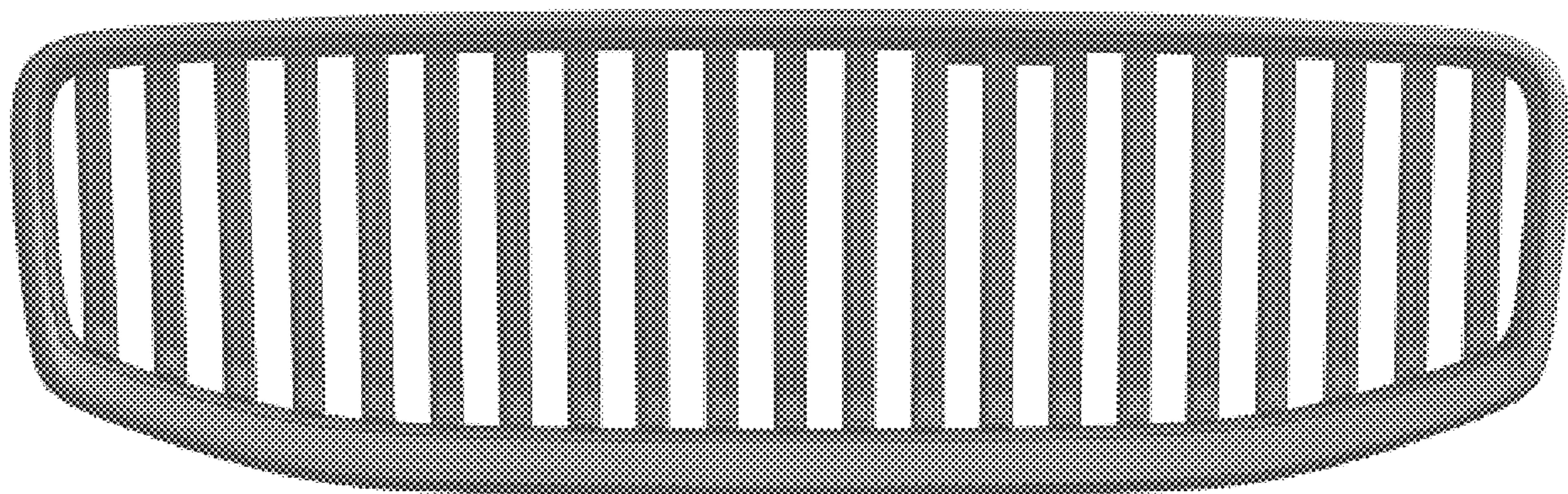
The ornamental design for a grille for a vehicle, as shown and described.

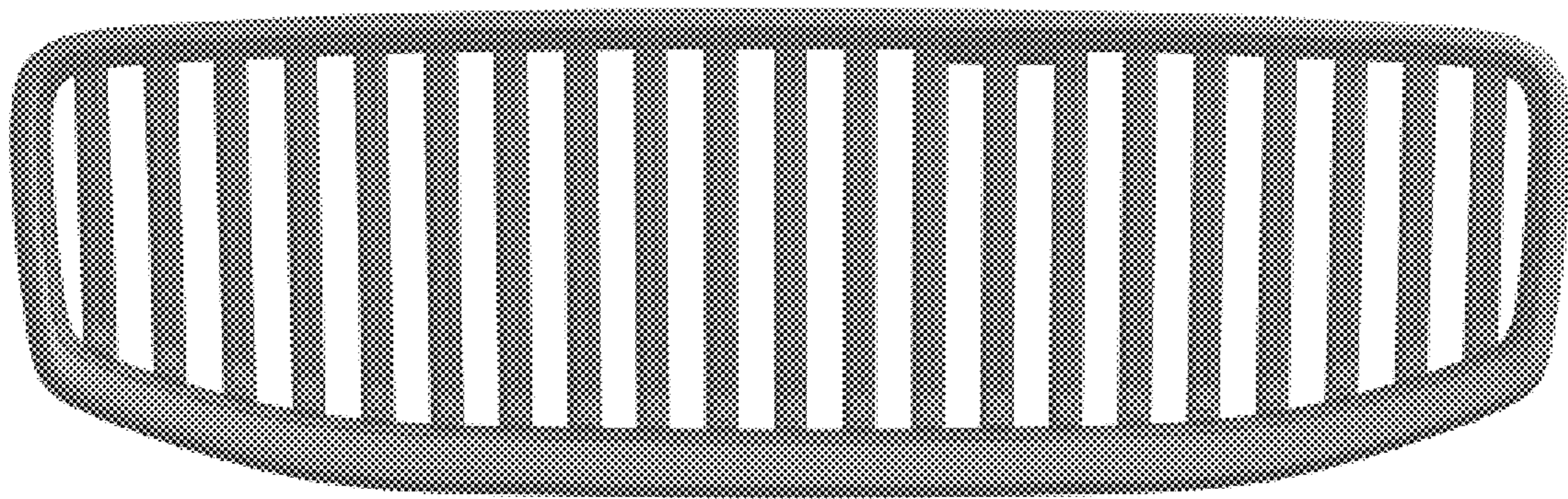
**DESCRIPTION**

FIG. 1 is a front view of a grille for a vehicle showing my new design;  
FIG. 2 is a left, front perspective view thereof;  
FIG. 3 is a right, front perspective view thereof;  
FIG. 4 is a right side view thereof;  
FIG. 5 is a left side view thereof;  
FIG. 6 is a top view thereof;  
FIG. 7 is a bottom view thereof; and,  
FIG. 8 is a rear view thereof.

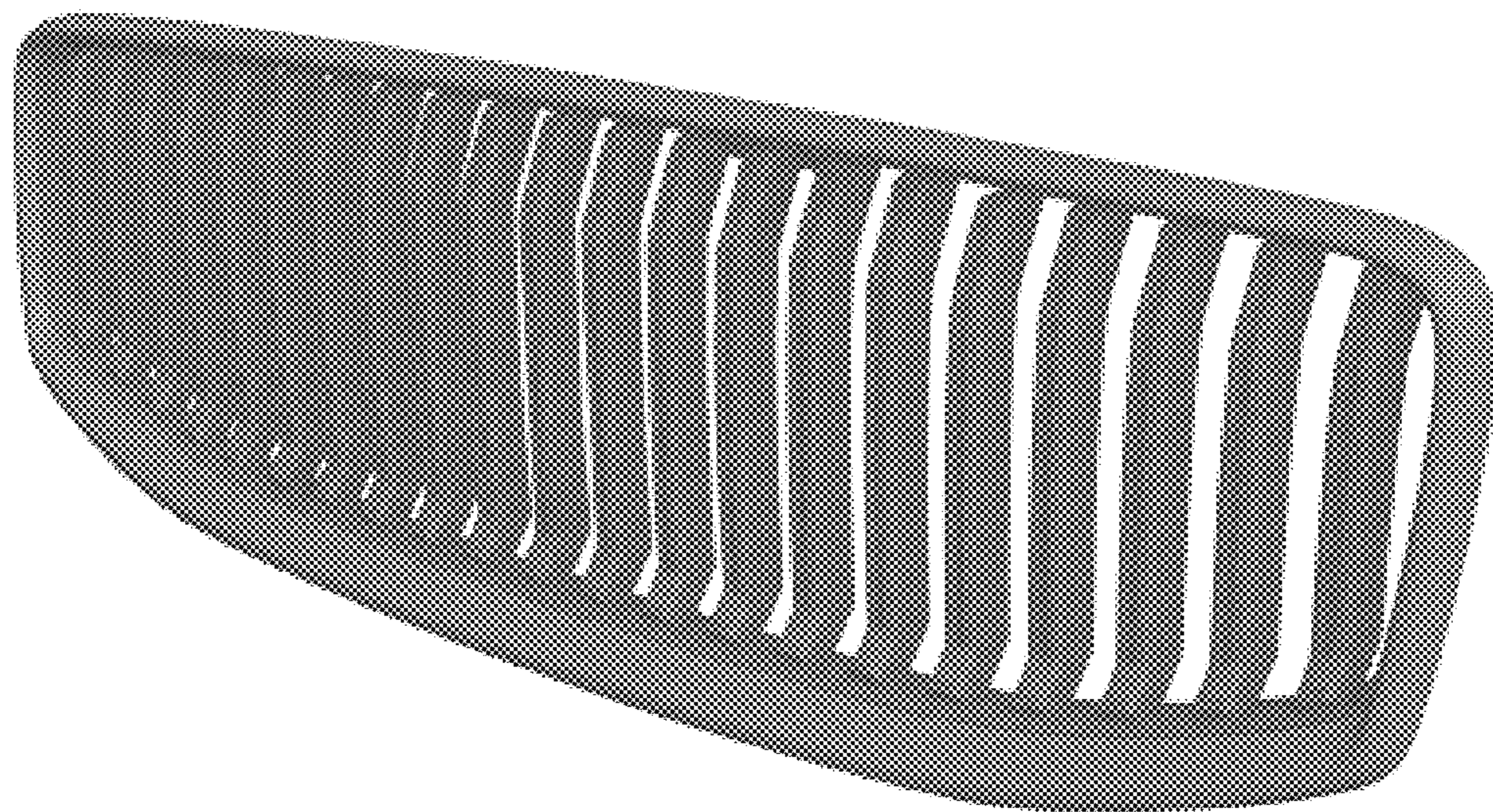
**1 Claim, 8 Drawing Sheets**

(56) **References Cited**  
U.S. PATENT DOCUMENTS  
D729,705 S \* 5/2015 Gunnarson ..... D12/163  
D775,555 S \* 1/2017 Myrberg ..... D12/163

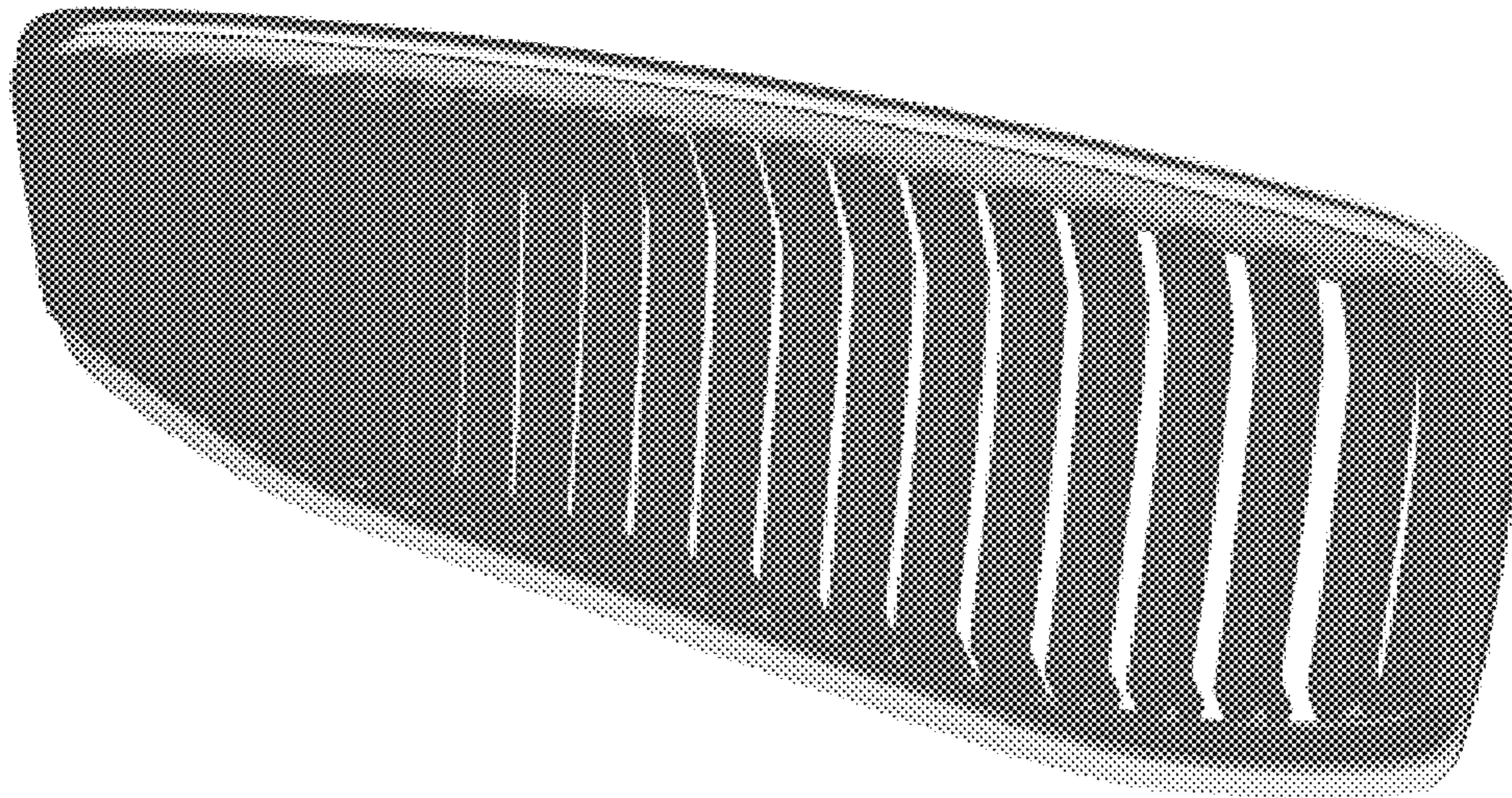




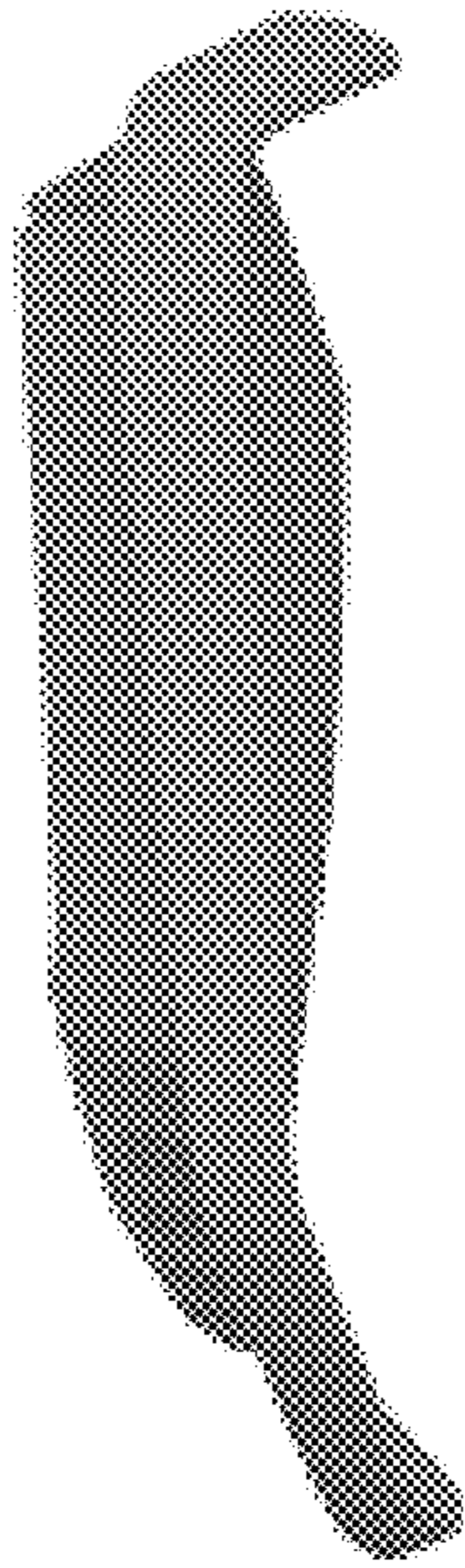
**FIG. 1**



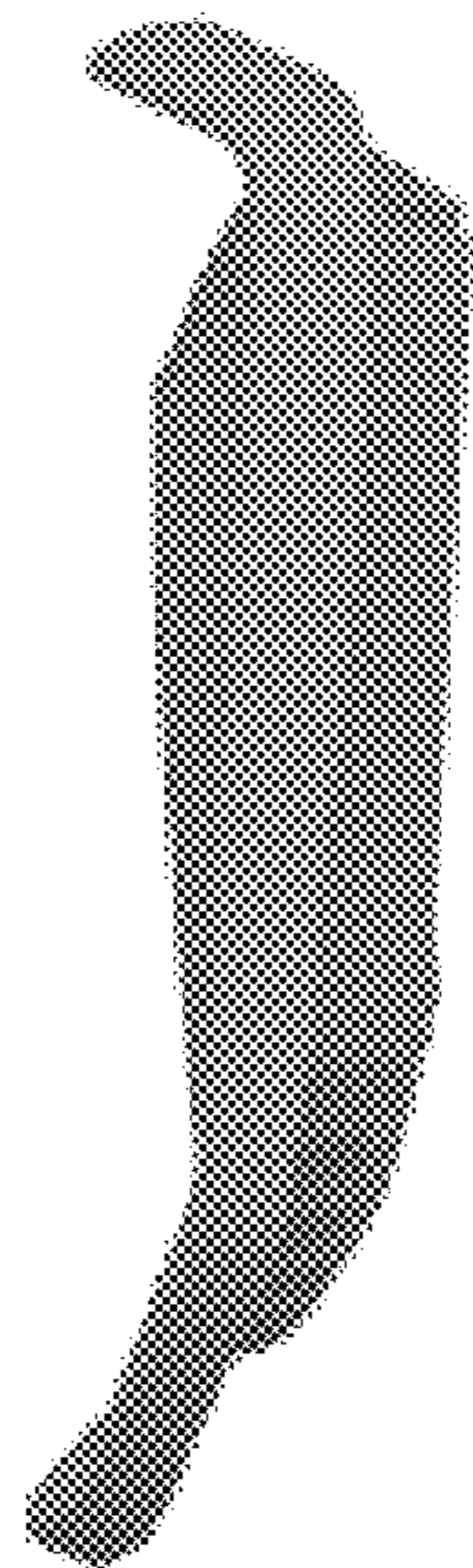
**FIG. 2**



**FIG. 3**



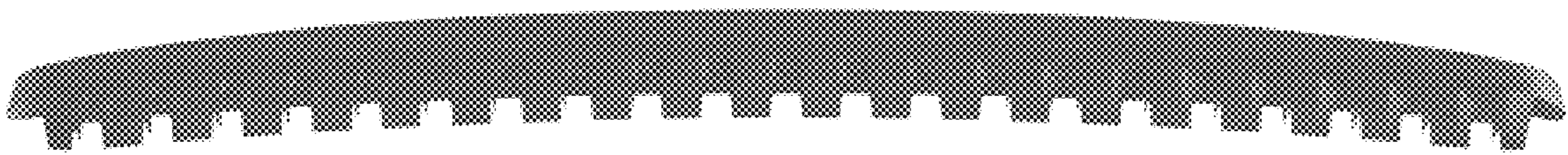
**FIG. 4**



**FIG. 5**

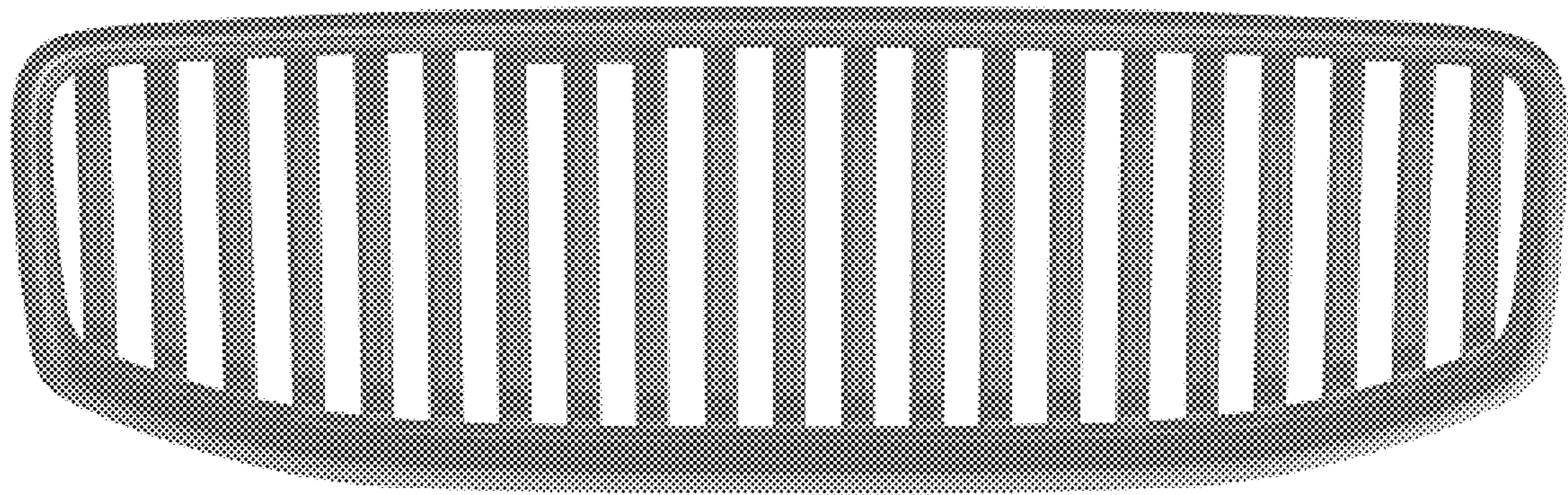


**FIG. 6**



**FIG. 7**





**FIG. 8**