



US00D972460S

(12) **United States Design Patent**  
**Kong et al.**

(10) **Patent No.:** **US D972,460 S**

(45) **Date of Patent:** **\*\* Dec. 13, 2022**

(54) **BABY CARRIAGE**

(71) Applicants: **Fanlong Kong**, Lu An (CN); **Yong Liu**,  
Lu An (CN)

(72) Inventors: **Fanlong Kong**, Lu An (CN); **Yong Liu**,  
Lu An (CN)

(73) Assignee: **Anhui Coolbaby Science &  
Technology Development  
Corporation**, Anhui (CN)

(\*\*) Term: **15 Years**

(21) Appl. No.: **29/773,470**

(22) Filed: **Mar. 9, 2021**

(51) **LOC (13) Cl.** ..... **12-12**

(52) **U.S. Cl.**  
USPC ..... **D12/129**

(58) **Field of Classification Search**  
USPC ..... D12/129  
CPC ..... B62B 7/00-04; B62B 9/00-28  
See application file for complete search history.

(56) **References Cited**

**U.S. PATENT DOCUMENTS**

- D505,366 S \* 5/2005 Refsum ..... B62B 9/104  
D12/129
- D526,601 S \* 8/2006 Oxseth ..... D12/129

- D651,139 S \* 12/2011 Angelfoss ..... D12/129
- D654,831 S \* 2/2012 Pedretti ..... D12/129
- D787,378 S \* 5/2017 Ostergaard ..... D12/112
- D807,792 S \* 1/2018 Lai ..... D12/129
- D816,555 S \* 5/2018 Young ..... D12/129
- D941,192 S \* 1/2022 Du ..... D12/129

\* cited by examiner

*Primary Examiner* — Charles D Hanson

(57) **CLAIM**

The ornamental design for a baby carriage, as shown and described.

**DESCRIPTION**

FIG. 1 is a perspective view of a baby carriage showing my new design;  
 FIG. 2 is a front elevation view thereof;  
 FIG. 3 is a rear elevation view thereof;  
 FIG. 4 is a left side elevation view thereof;  
 FIG. 5 is a right side elevation view thereof;  
 FIG. 6 is a top plan view thereof;  
 FIG. 7 is a bottom plan view thereof; and,  
 FIG. 8 is an enlarged view of the baby carriage taken from the circle part in FIG. 2.

**1 Claim, 8 Drawing Sheets**

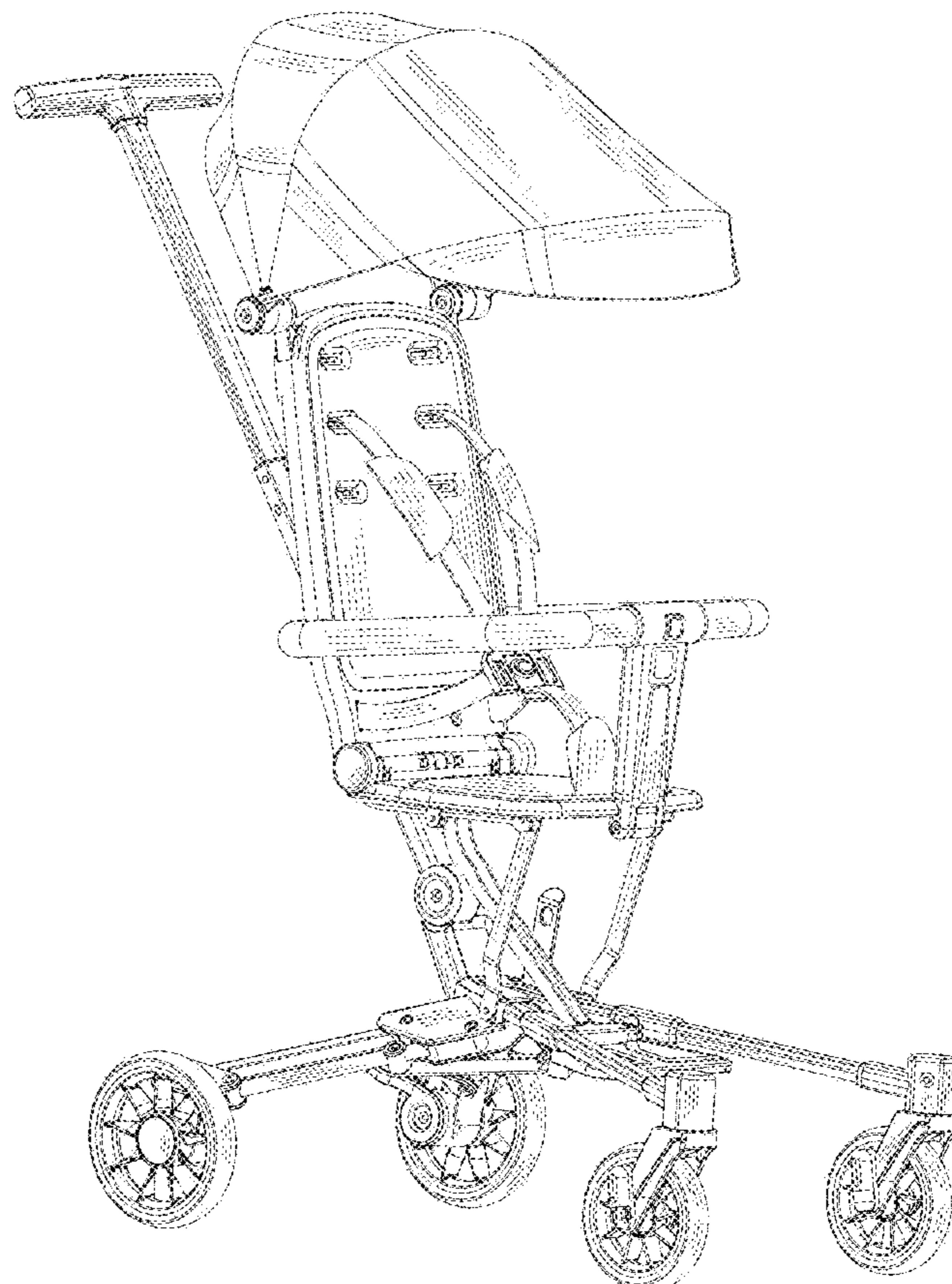




FIG. 1

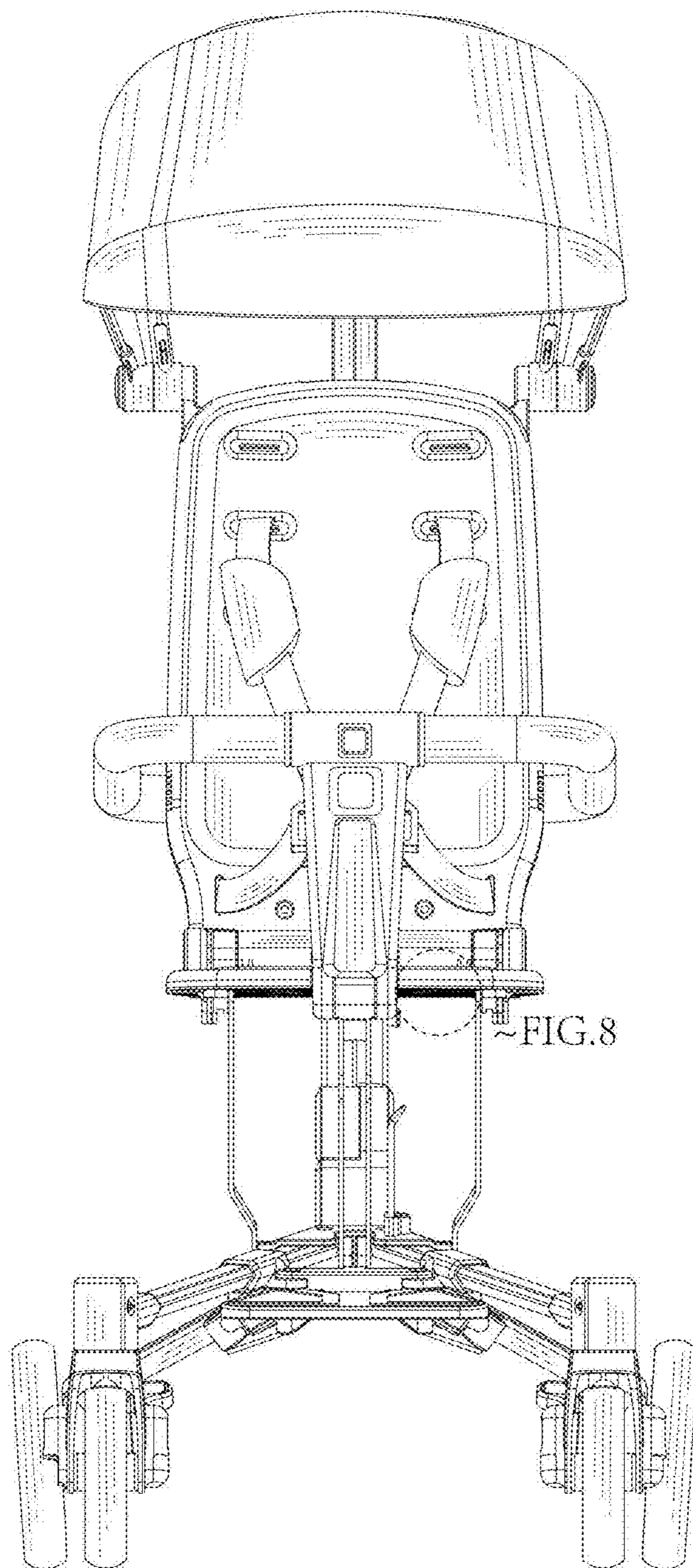


FIG. 2

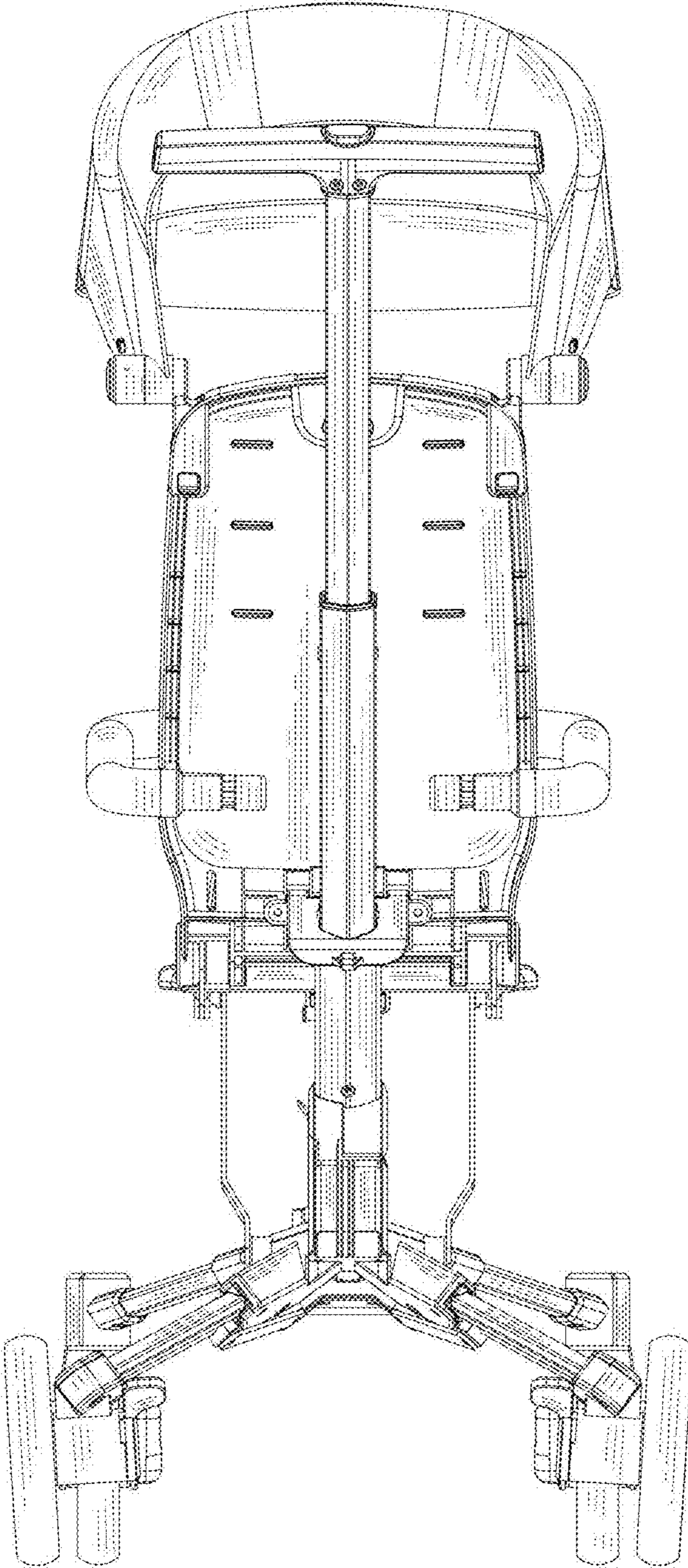


FIG.3

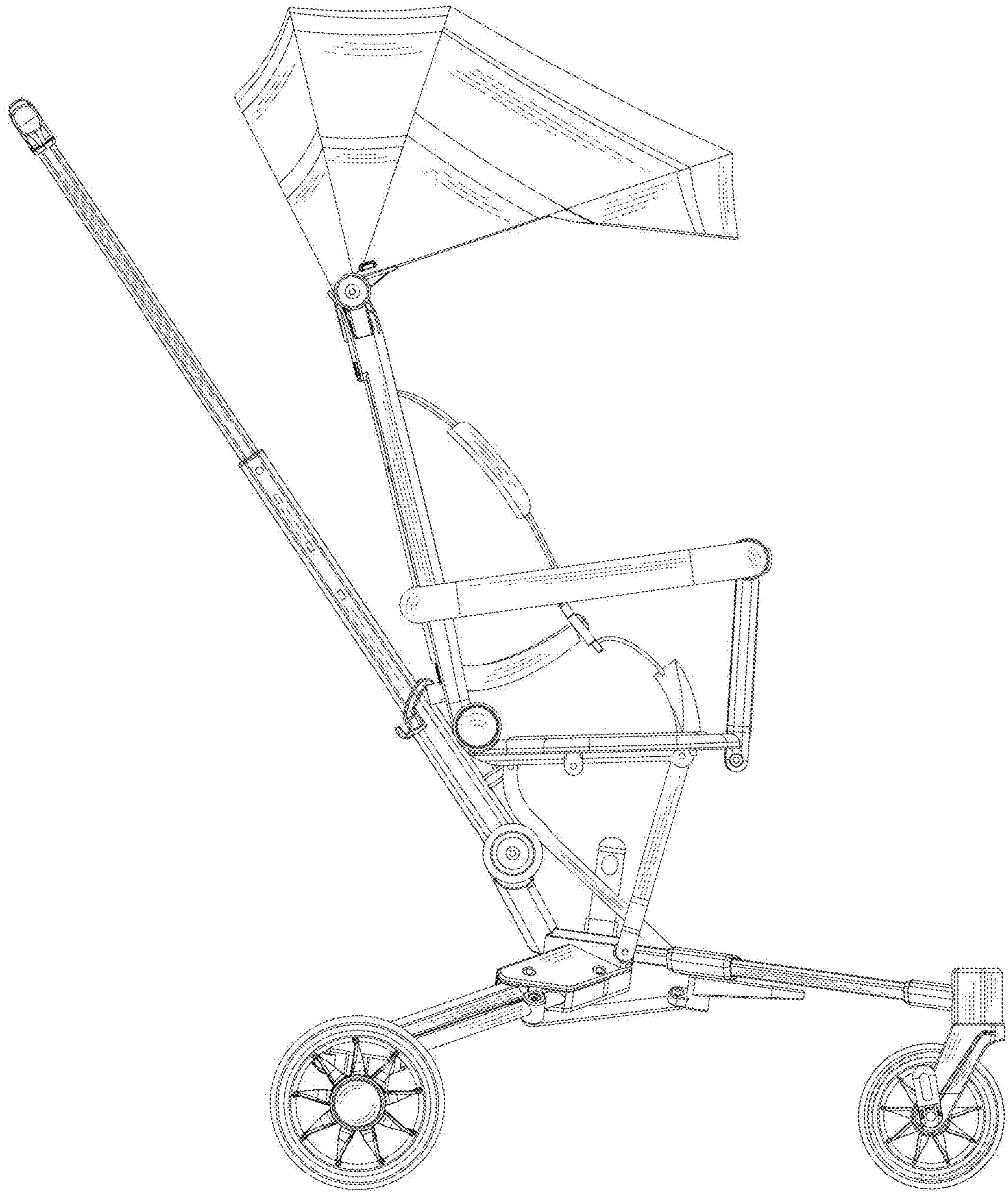


FIG.4

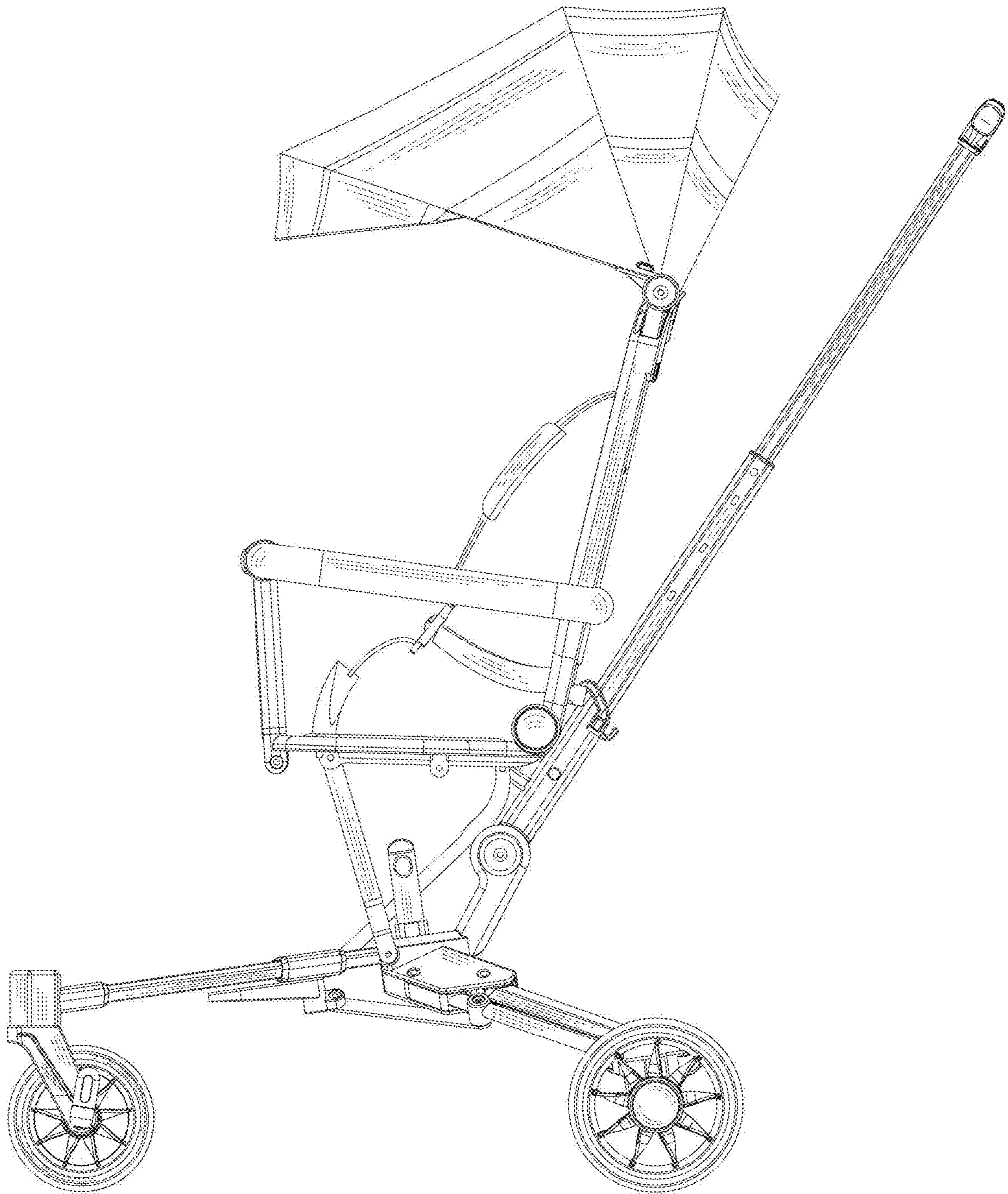


FIG.5

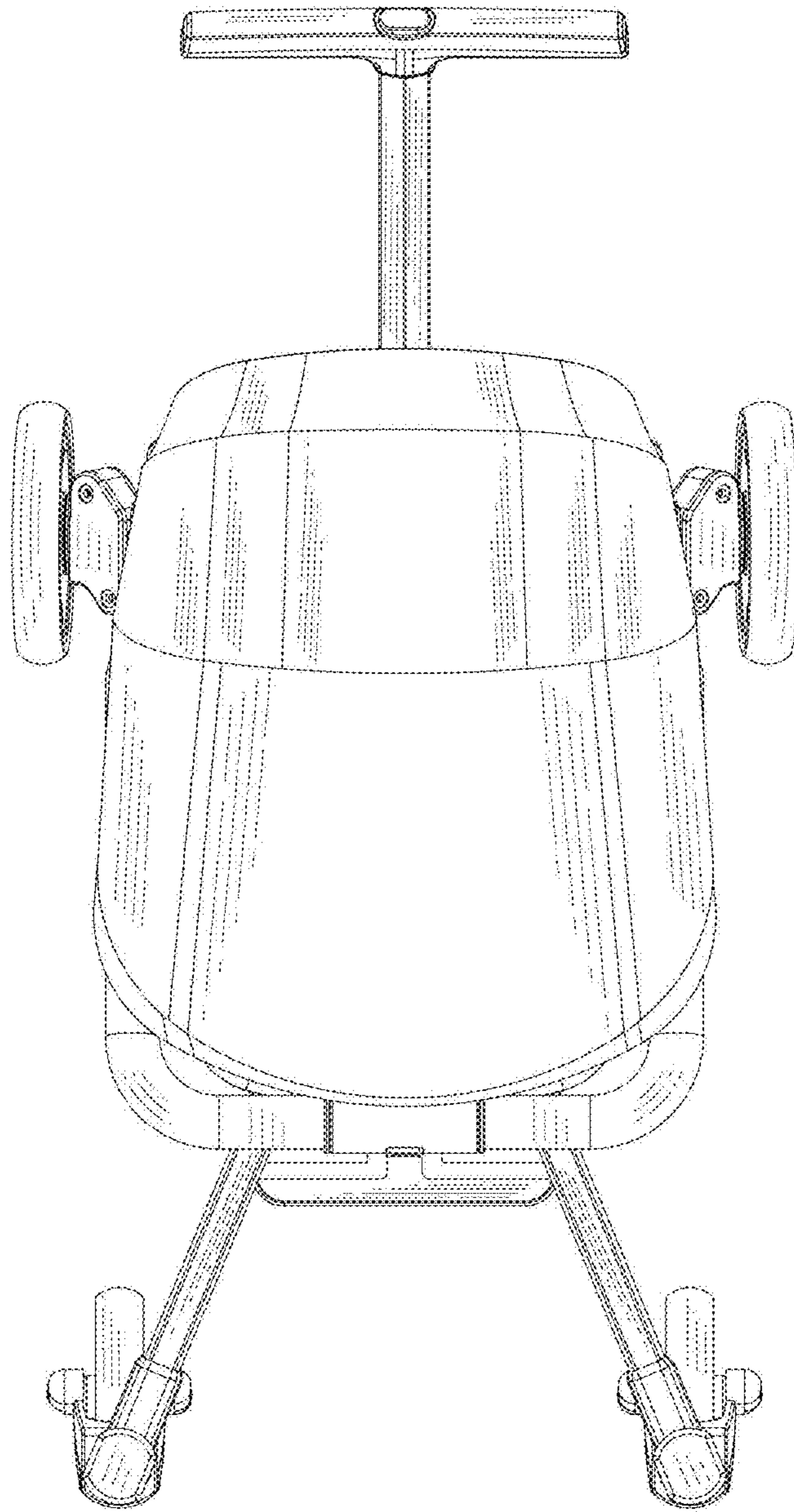


FIG.6

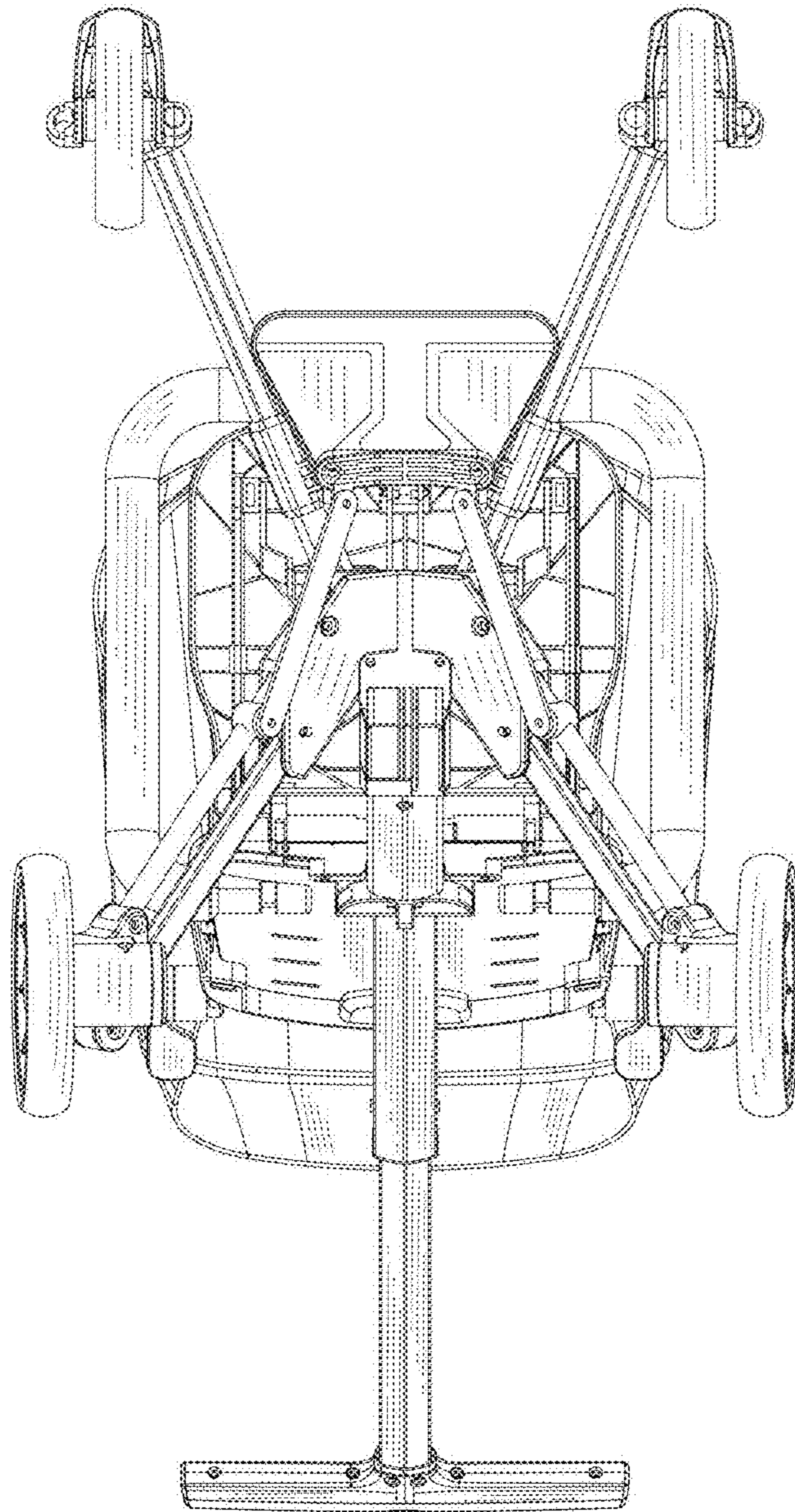


FIG. 7



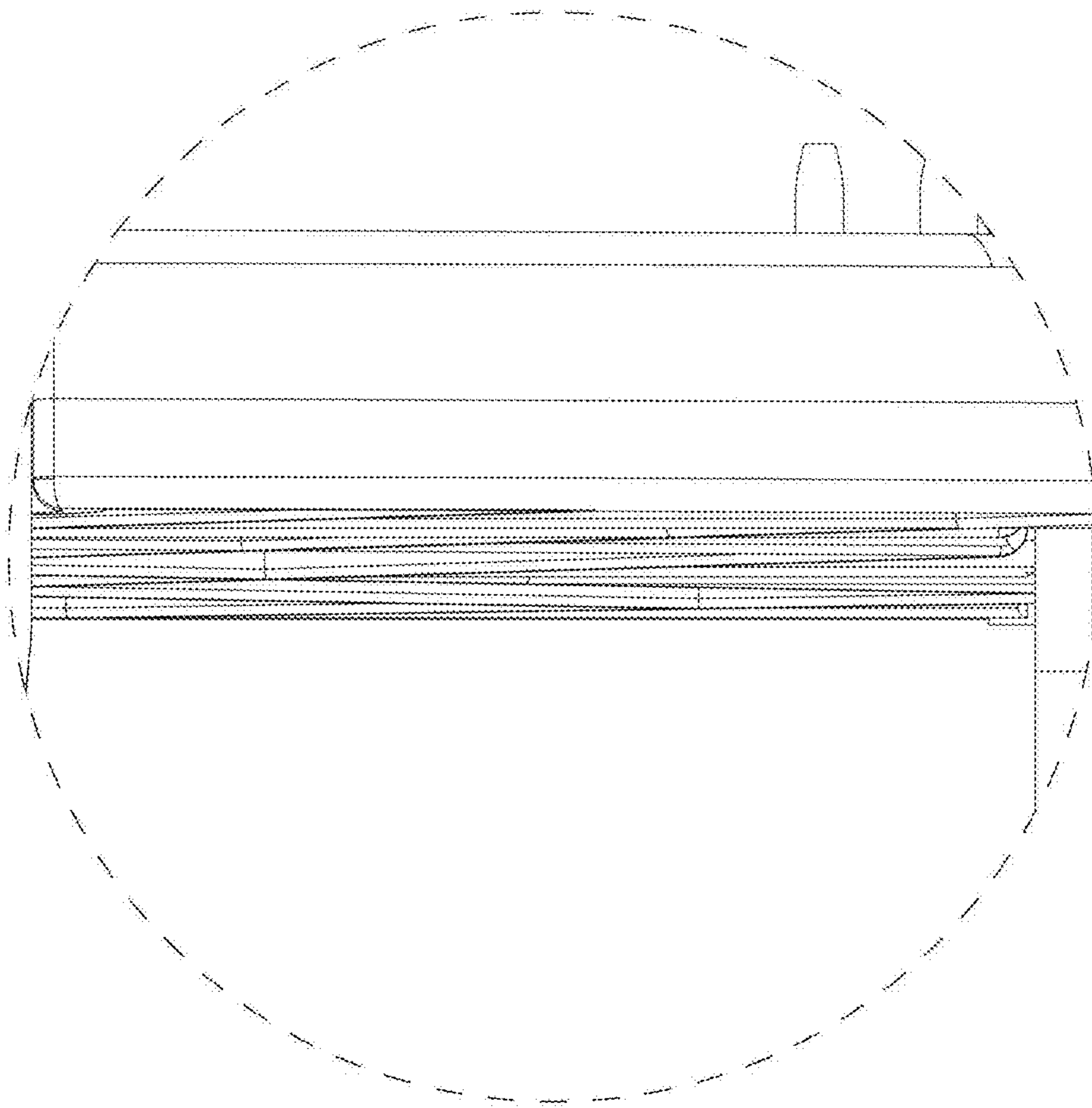


FIG. 8