



US00D972458S

(12) **United States Design Patent**
Wang

(10) **Patent No.:** **US D972,458 S**

(45) **Date of Patent:** **** Dec. 13, 2022**

(54) **ELECTRIC MOTORCYCLE**

(71) Applicant: **Taizhou Zhilong Technology Co., Ltd.**, Zhejiang Province (CN)

(72) Inventor: **Lirong Wang**, Zhejiang Province (CN)

(**) Term: **15 Years**

(21) Appl. No.: **29/832,154**

(22) Filed: **Mar. 25, 2022**

(51) **LOC (13) Cl.** **12-11**

(52) **U.S. Cl.**
USPC **D12/110**

(58) **Field of Classification Search**
USPC D12/110, 111, 117; D21/412, 414, 419,
D21/423, 424, 425, 426, 427, 428, 431,
D21/432, 433, 434, 435
CPC . B62K 3/00; B62K 3/002; B62K 3/02; B62K
3/04; B62K 3/06; B62K 3/10
See application file for complete search history.

(56) **References Cited**

U.S. PATENT DOCUMENTS

D245,001 S	*	7/1977	Hori	D12/110
D472,851 S	*	4/2003	Tajima	D12/110
D625,228 S	*	10/2010	Lockart	D12/111
D686,540 S		7/2013	Hinderhofer		
D727,214 S	*	4/2015	Yang	D12/111

D730,779 S	*	6/2015	Arbour	D12/111
D774,972 S	*	12/2016	Lambri	D12/111
D864,795 S		10/2019	Waters et al.		
D896,130 S	*	9/2020	Quan	D12/110
D910,497 S	*	2/2021	Sun	D12/111
D914,548 S		3/2021	Chen		
D920,848 S		6/2021	Kuehne et al.		
D940,010 S	*	1/2022	Hu	D12/111
D944,126 S	*	2/2022	Lu	D12/111
D957,291 S	*	7/2022	Deng	D12/111

* cited by examiner

Primary Examiner — Cary M Robinson

Assistant Examiner — Adam C Mager

(74) *Attorney, Agent, or Firm* — Prakash Nama; Global IP Services, PLLC

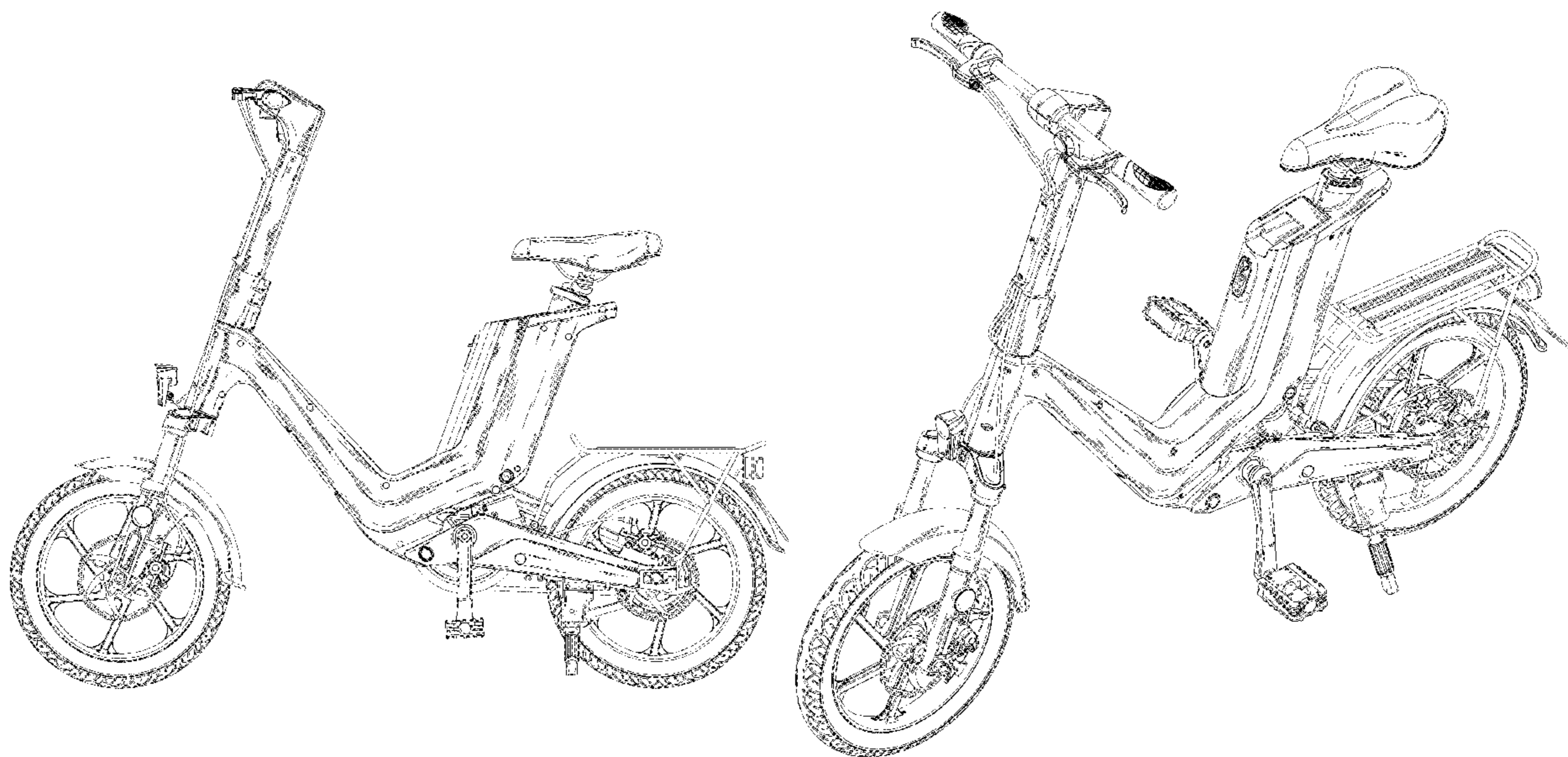
(57) **CLAIM**

The ornamental design for an electric motorcycle, as shown and described.

DESCRIPTION

FIG. 1 is a front elevational view of an electric motorcycle showing my new design;
FIG. 2 is a rear elevational view thereof;
FIG. 3 is a left side view thereof;
FIG. 4 is a right side view thereof;
FIG. 5 is a perspective thereof; and,
FIG. 6 is another perspective view thereof.

1 Claim, 6 Drawing Sheets



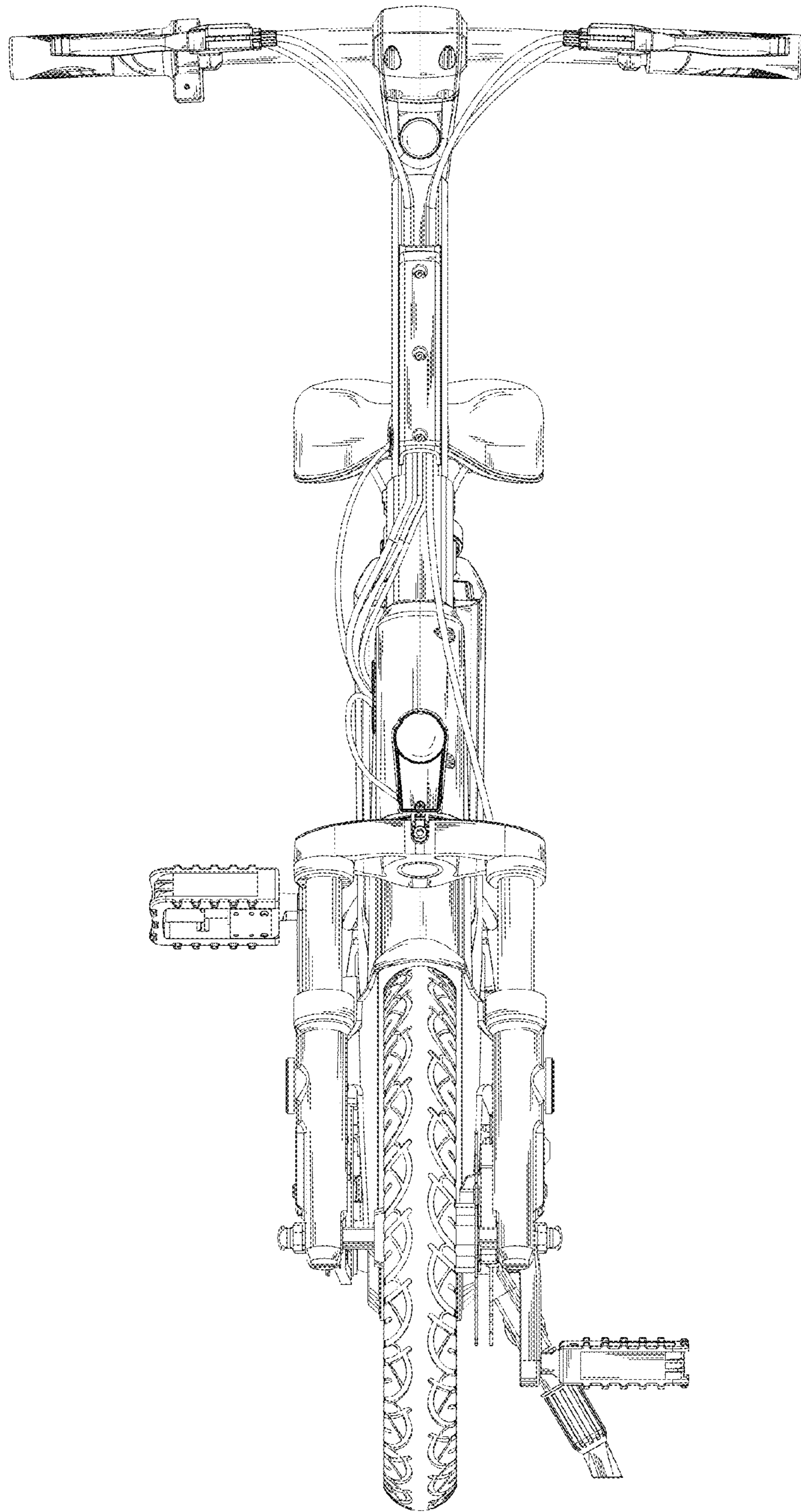


FIG. 1

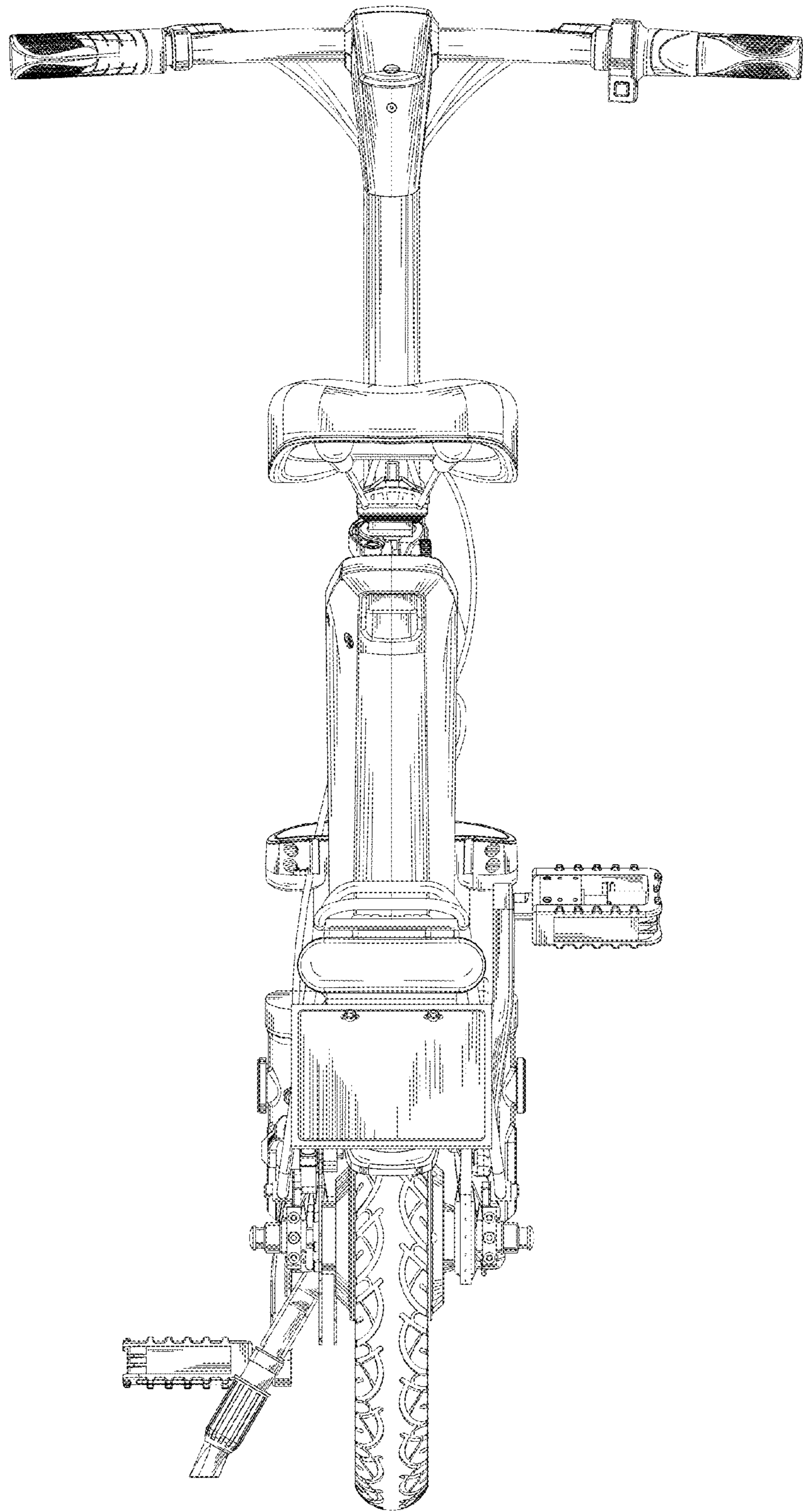


FIG. 2

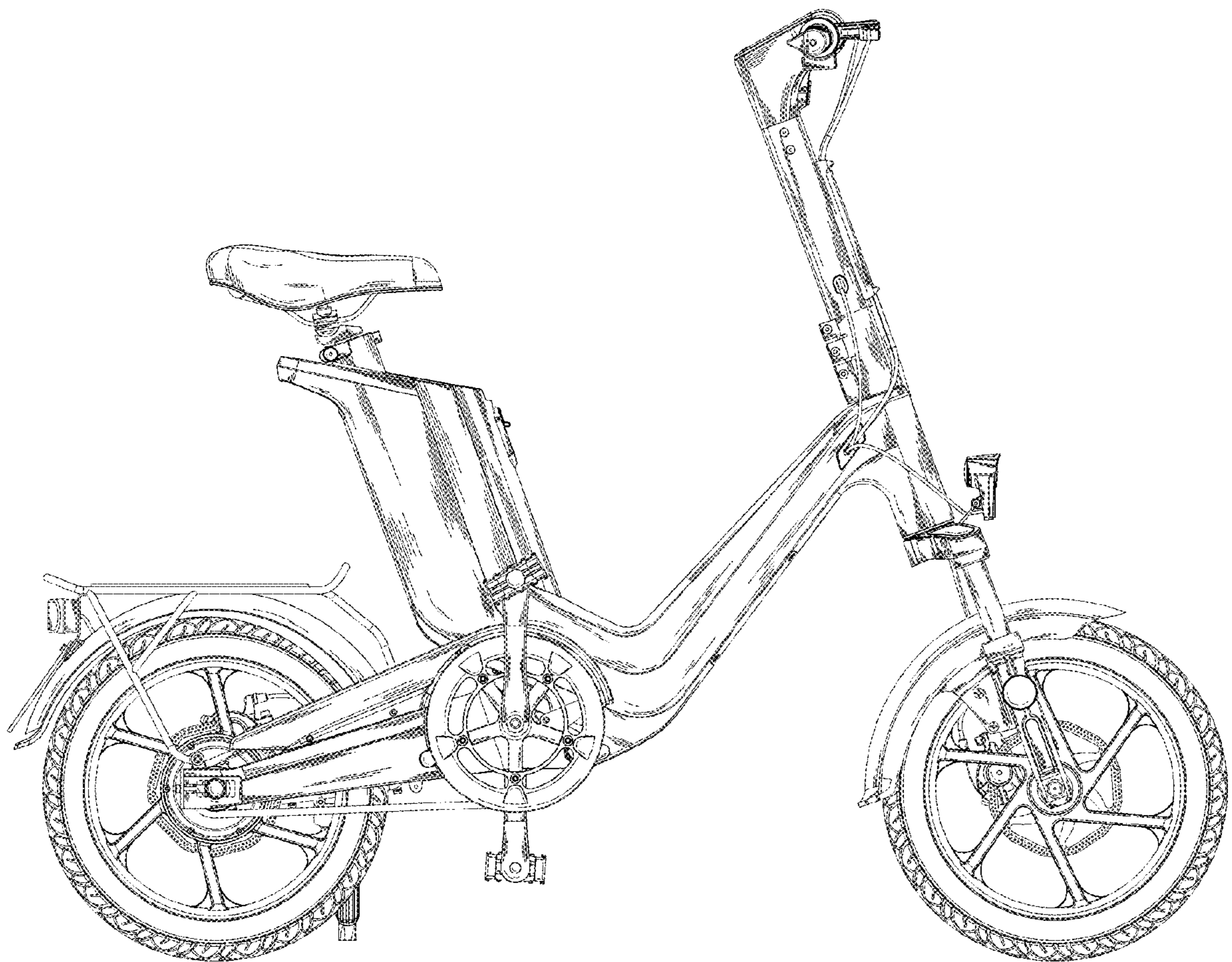


FIG. 3

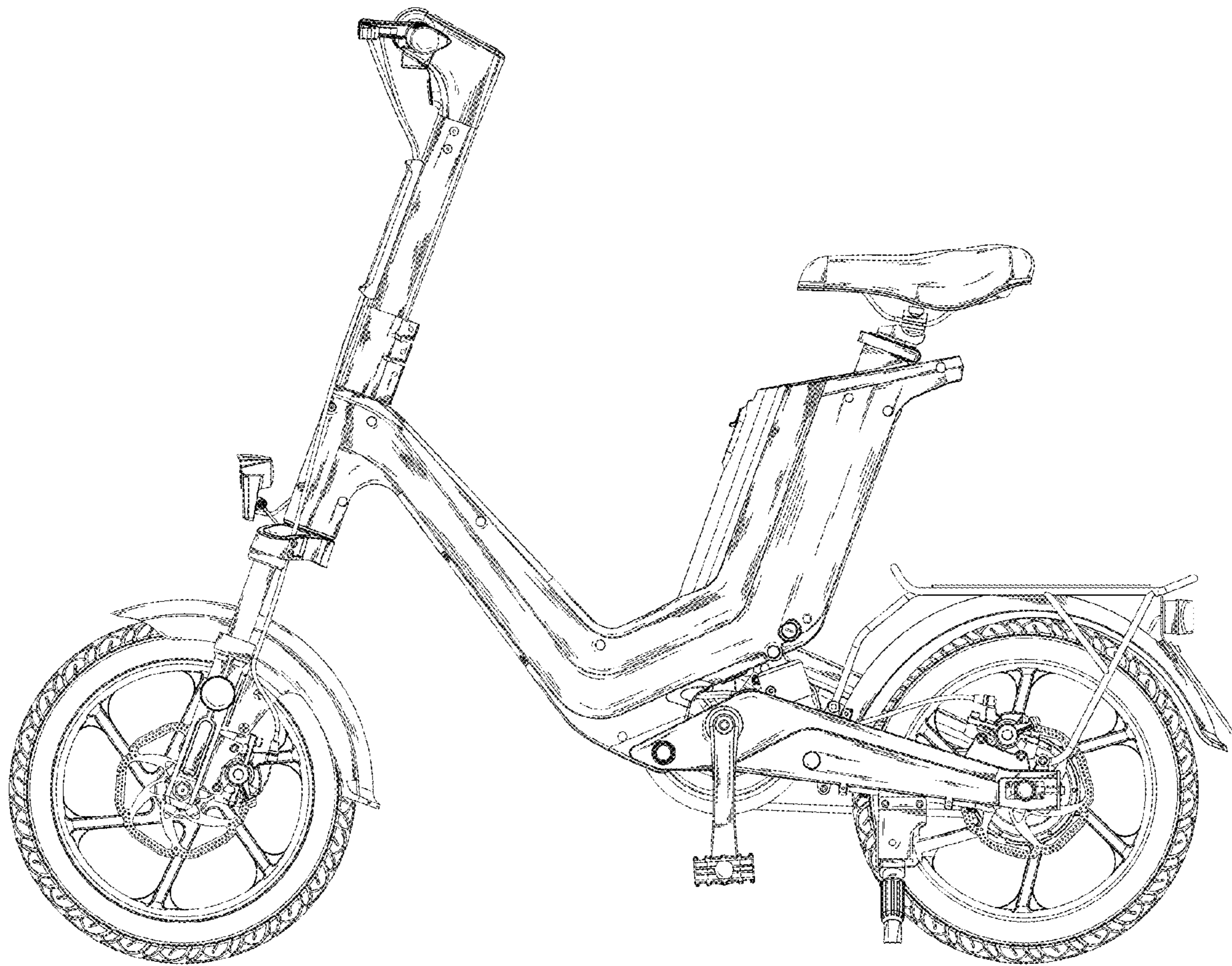


FIG. 4



FIG. 5

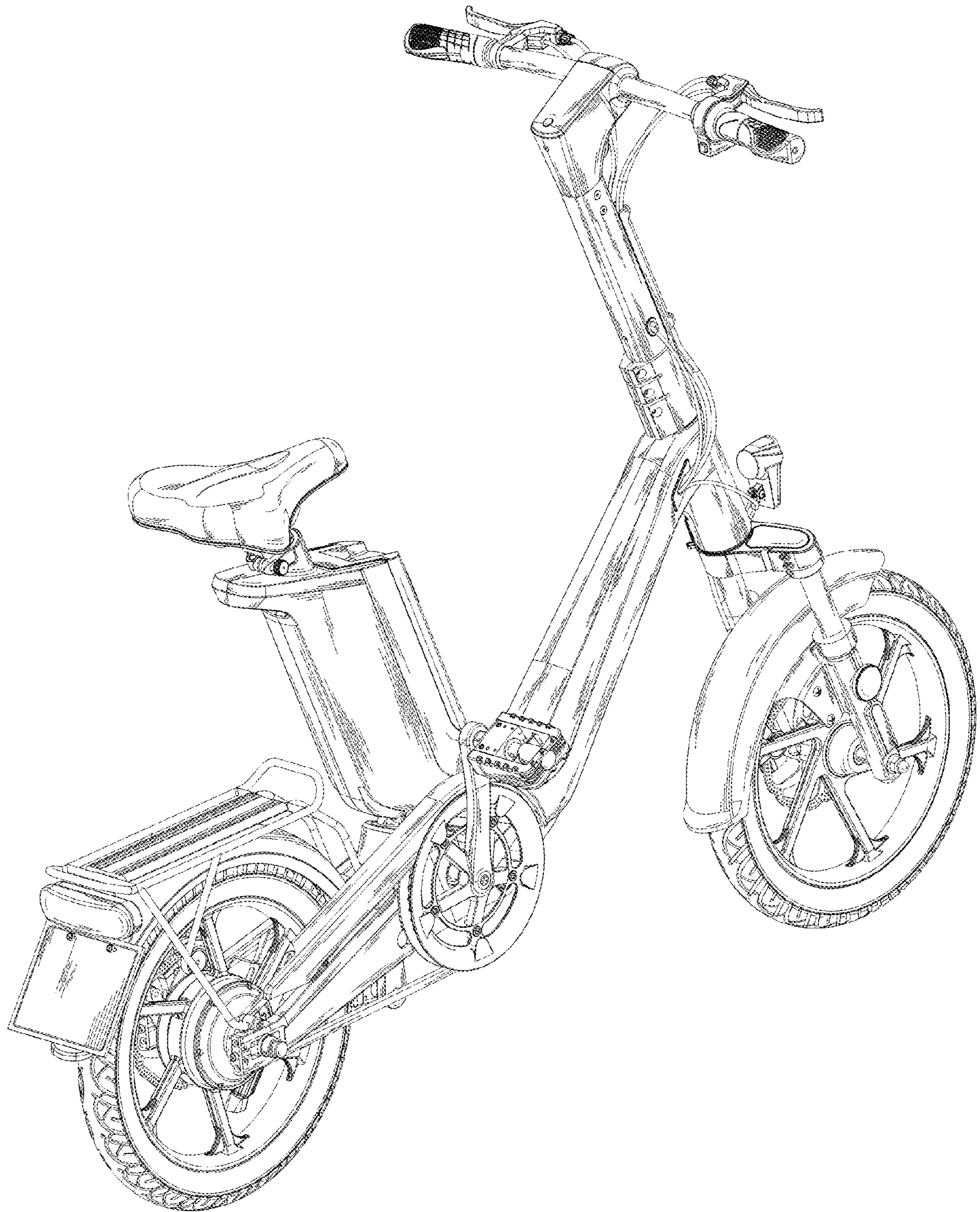


FIG. 6