

US00D972457S

(12) **United States Design Patent** (10) **Patent No.:** **US D972,457 S**  
**Escobedo** (45) **Date of Patent:** **\*\* Dec. 13, 2022**

(54) **MOTOR VEHICLE BODY**  
(71) Applicant: **Polestar Performance AB**, Gothenburg (SE)  
(72) Inventor: **Nahum Escobedo**, Gothenburg (SE)  
(73) Assignee: **Polestar Performance AB**, Gothenburg (SE)  
(\*\*) Term: **15 Years**  
(21) Appl. No.: **29/746,599**  
(22) Filed: **Aug. 14, 2020**

(30) **Foreign Application Priority Data**  
Feb. 14, 2020 (EM) ..... 007694435-0001  
Feb. 14, 2020 (EM) ..... 007694435-0002  
(51) **LOC (13) Cl.** ..... **12-08**  
(52) **U.S. Cl.**  
USPC ..... **D12/92**  
(58) **Field of Classification Search**  
USPC .... D12/86, 90-92, 164; D21/424, 433, 434,  
D21/533, 535; 296/181.1-181.5, 183.1  
CPC ..... B62D 25/00; B62D 25/06; B62D 33/00;  
B62D 35/00  
See application file for complete search history.

(56) **References Cited**  
U.S. PATENT DOCUMENTS  
D644,567 S \* 9/2011 Kozub ..... D12/92  
D730,777 S \* 6/2015 Nurnberger ..... D12/92  
D756,849 S \* 5/2016 Garcia Lopez ..... D12/92  
D767,448 S \* 9/2016 Leu ..... D12/92  
D776,012 S \* 1/2017 Sterner ..... D12/92

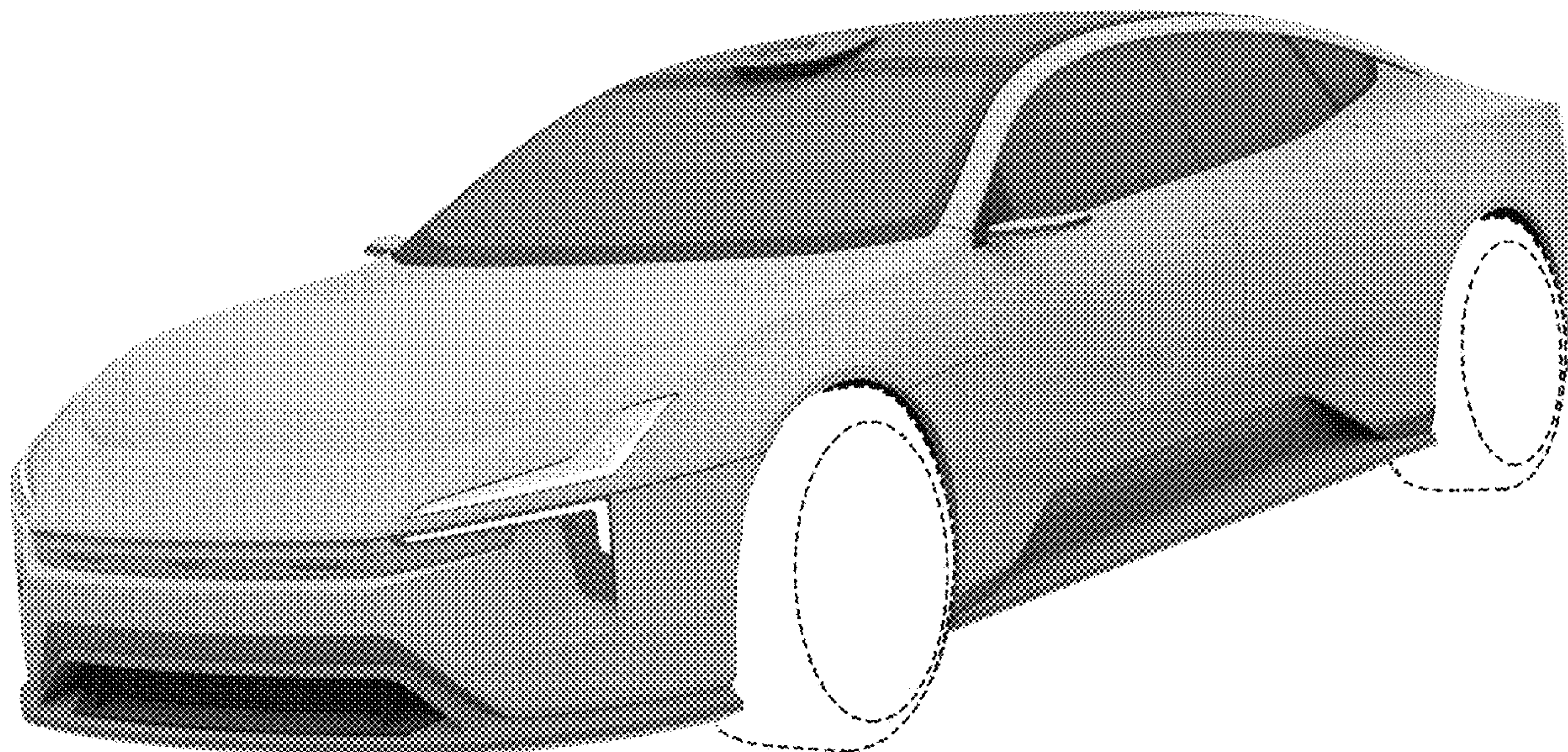
D802,483 S \* 11/2017 Fahr-Becker ..... D12/92  
D809,973 S \* 2/2018 Ahn ..... D12/92  
D826,095 S \* 8/2018 Hirzel ..... D12/92  
D831,542 S \* 10/2018 Russo ..... D12/92  
D871,262 S 12/2019 Mayer et al.  
D876,279 S 2/2020 Mayer  
D876,280 S 2/2020 Mayer  
D893,360 S 8/2020 Escobedo  
D906,175 S 12/2020 Mayer  
D906,440 S 12/2020 Sterner  
D911,222 S \* 2/2021 Jung ..... D12/91  
D924,100 S 7/2021 Sterner  
D924,730 S 7/2021 Sterner  
D931,144 S 9/2021 Sterner

\* cited by examiner  
*Primary Examiner* — Melody N Brown  
(74) *Attorney, Agent, or Firm* — Patterson Thuent IP

(57) **CLAIM**  
The ornamental design for a motor vehicle body, as shown and described.

**DESCRIPTION**  
FIG. 1 is a front perspective view of a motor vehicle body showing my new design;  
FIG. 2 is a front elevational view thereof;  
FIG. 3 is a right side elevational view thereof;  
FIG. 4 is a top plan view thereof;  
FIG. 5 is a left elevational view thereof;  
FIG. 6 is a rear perspective view thereof;  
FIG. 7 is a rear elevational view thereof; and,  
FIG. 8 is a bottom plan view thereof.  
The broken lines shown throughout the drawing views are for illustrative and environmental purposes and form no part of the claimed design.

**1 Claim, 8 Drawing Sheets**





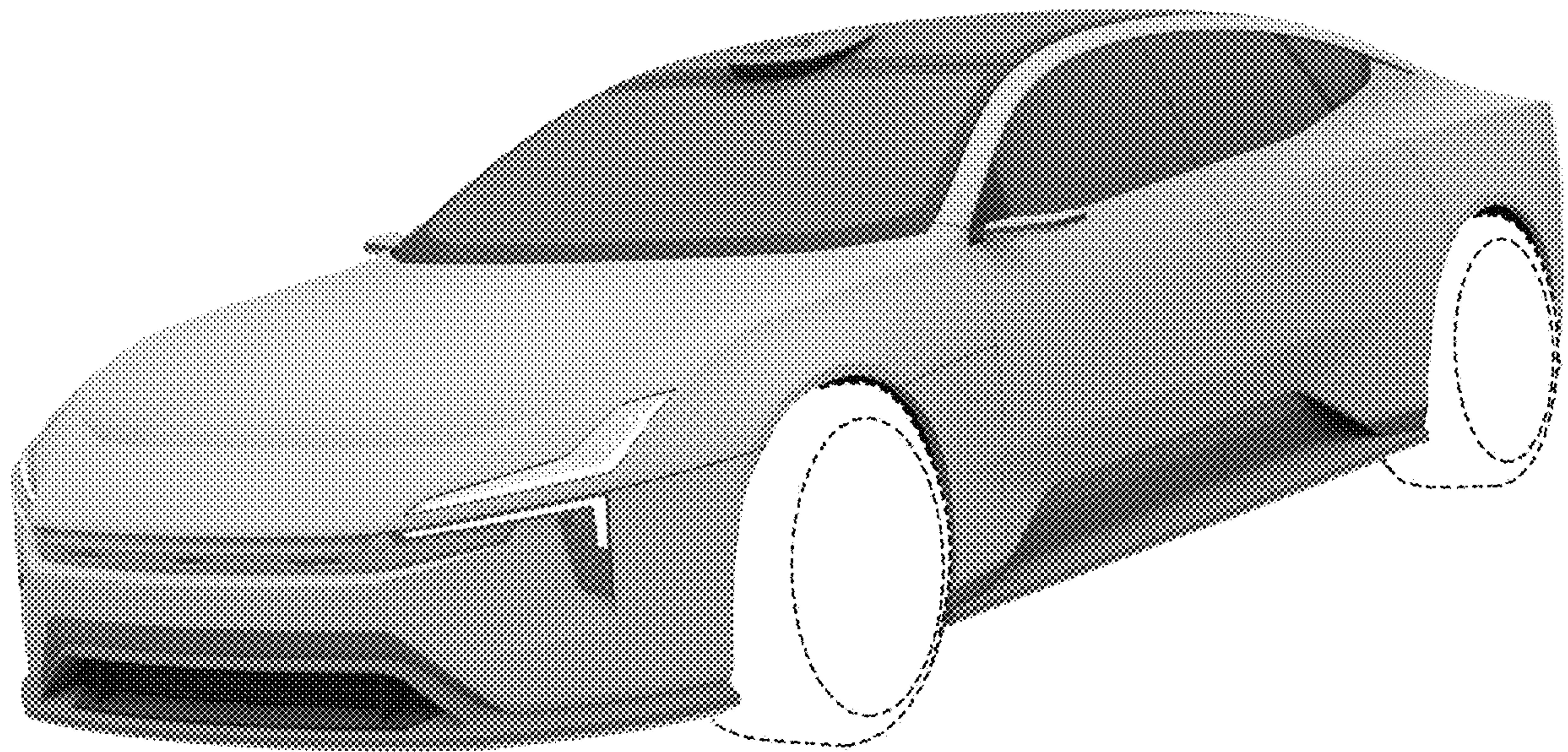


FIG. 1



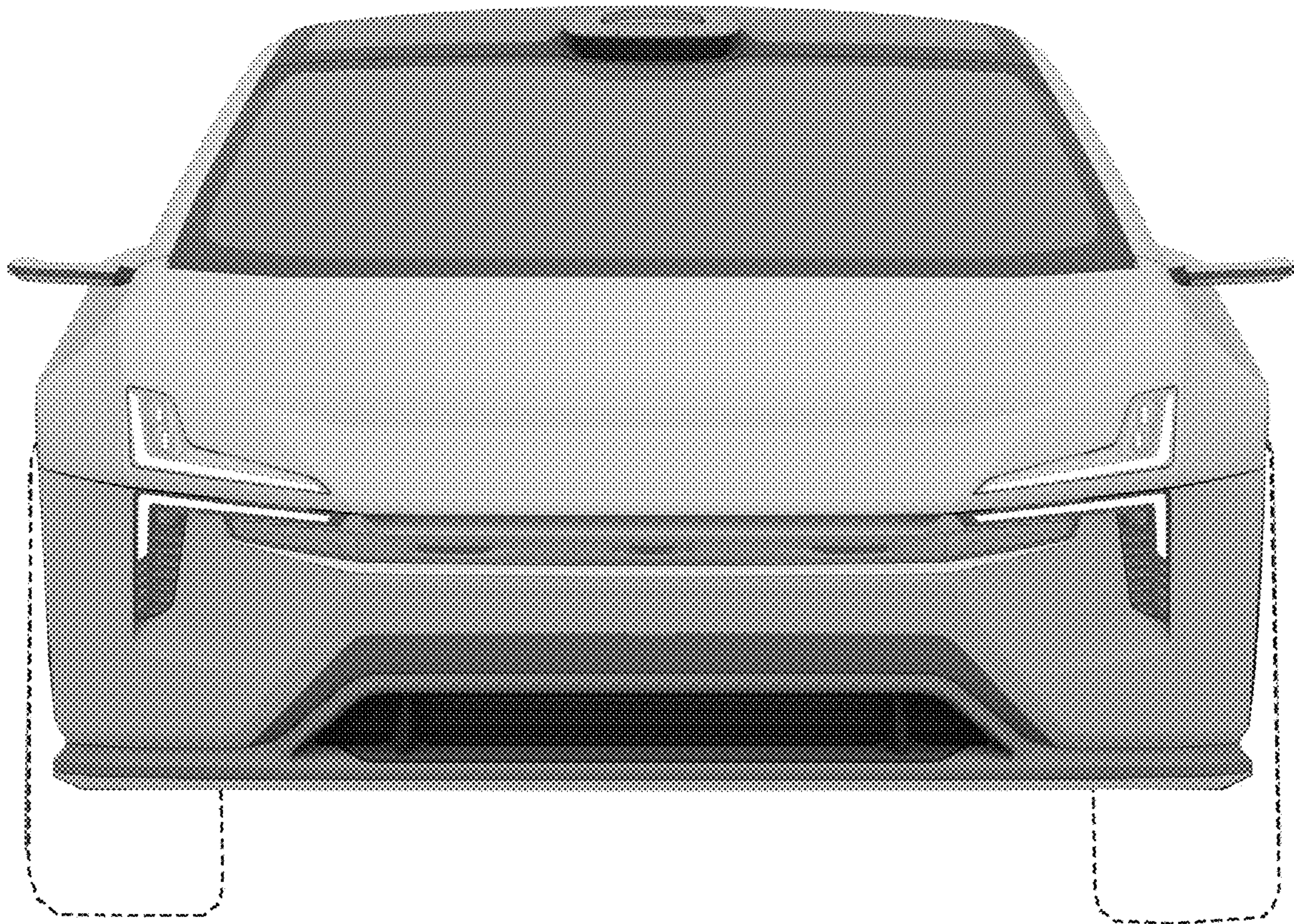


FIG. 2

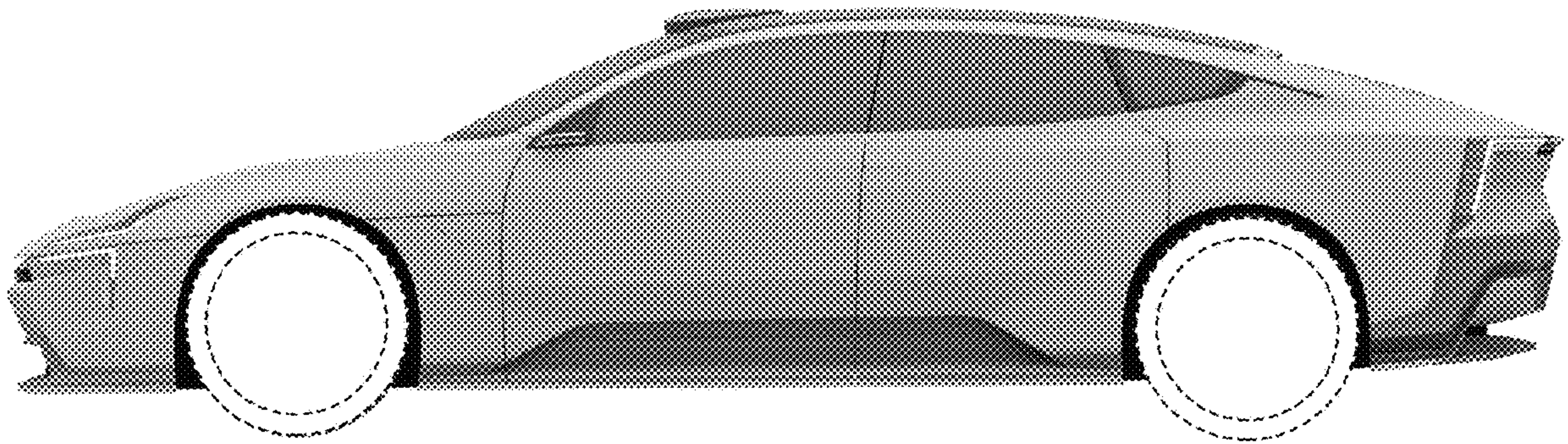


FIG. 3



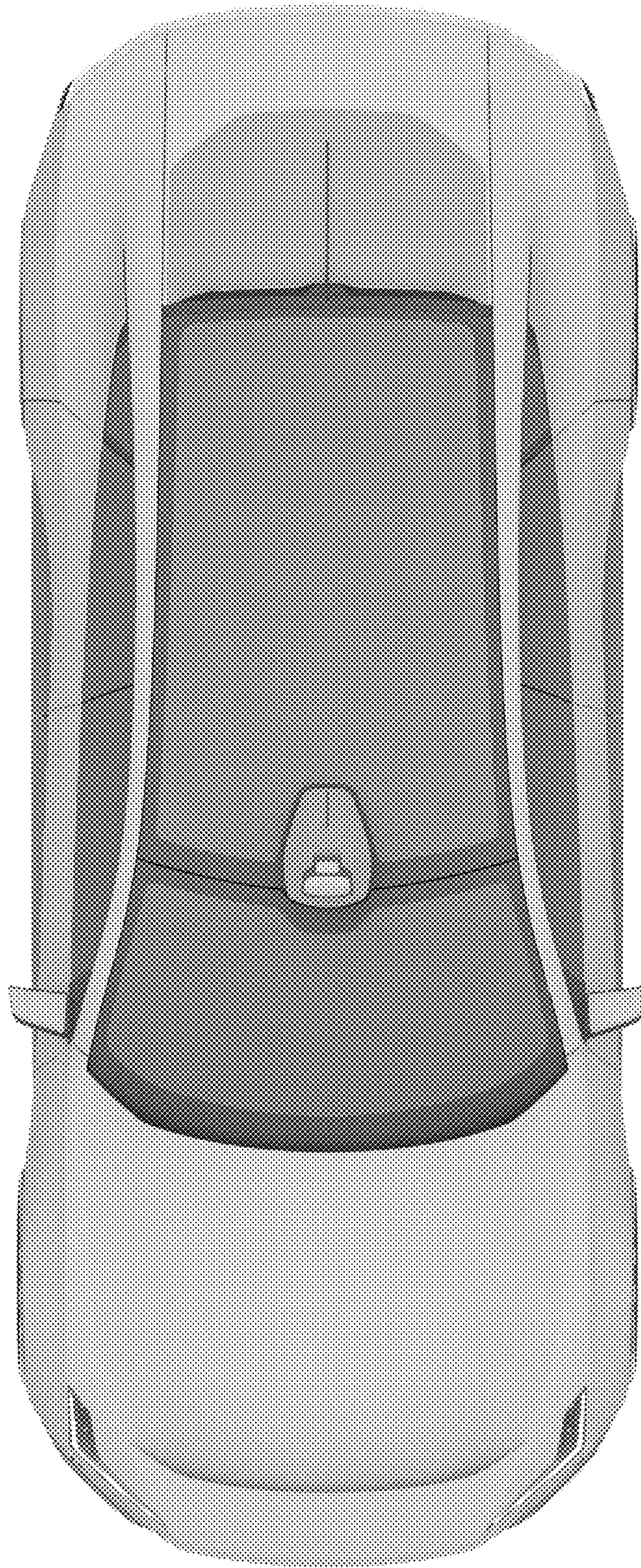


FIG. 4



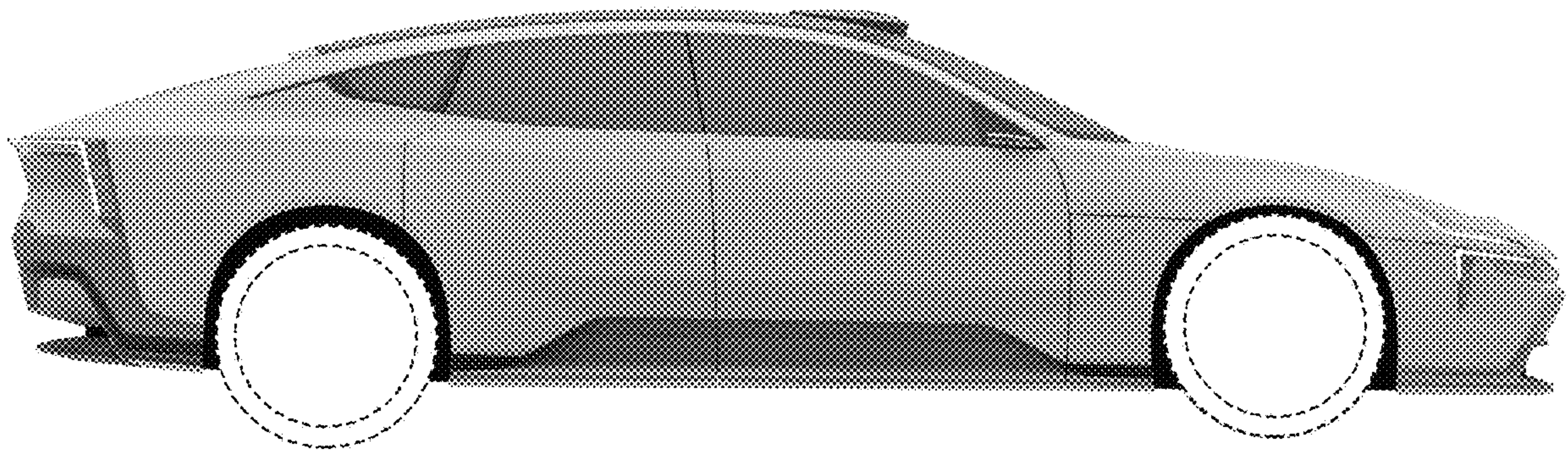


FIG. 5

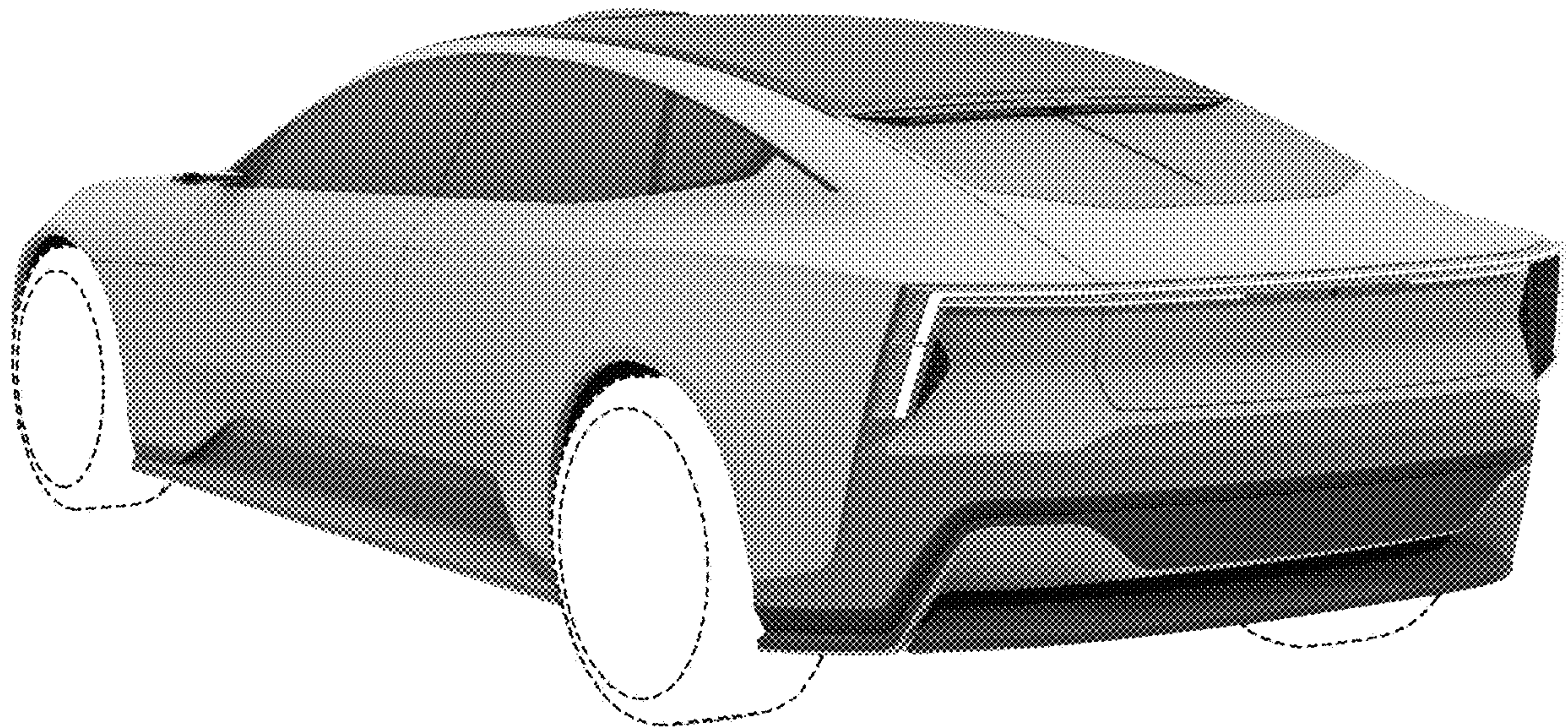


FIG. 6



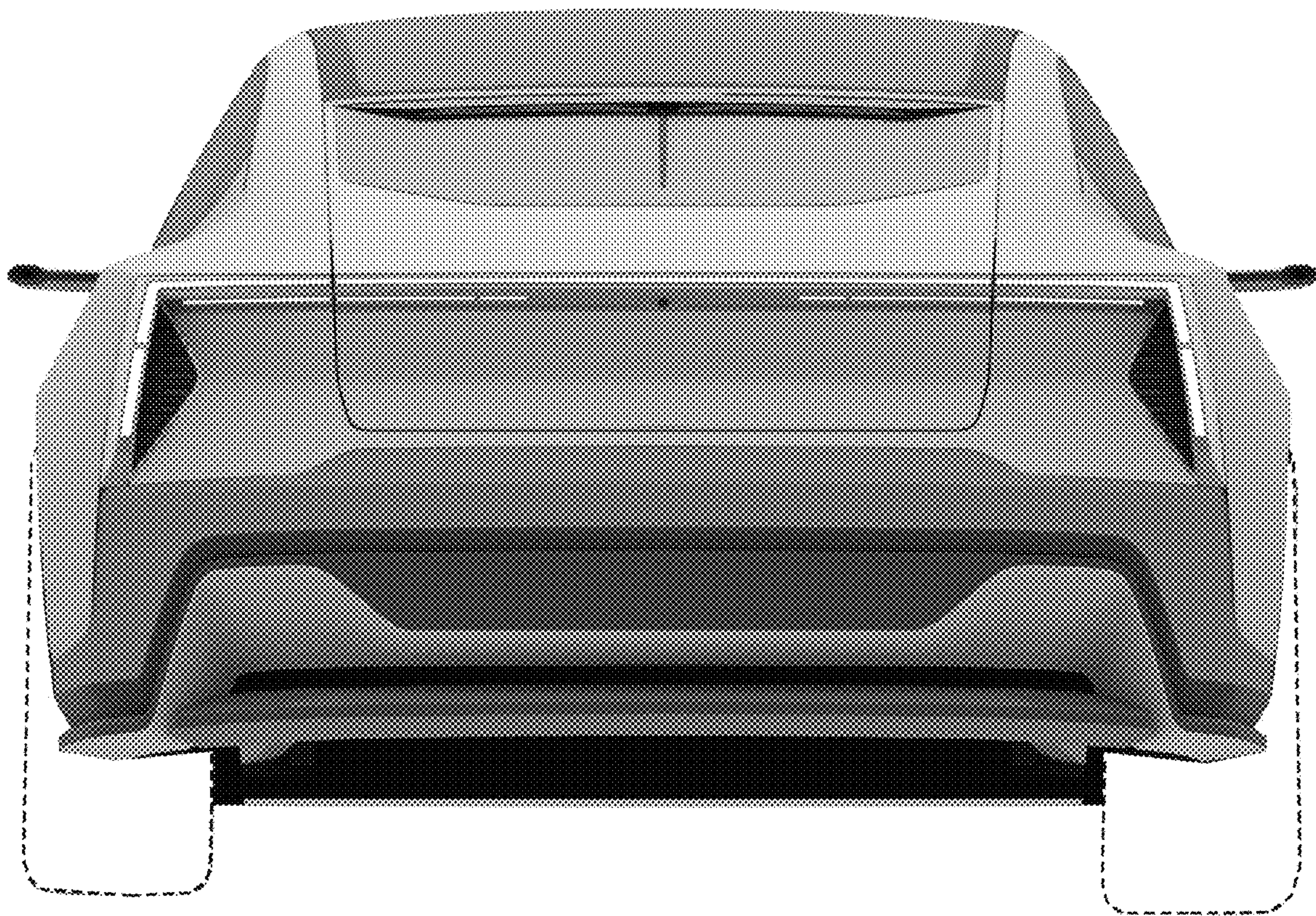


FIG. 7



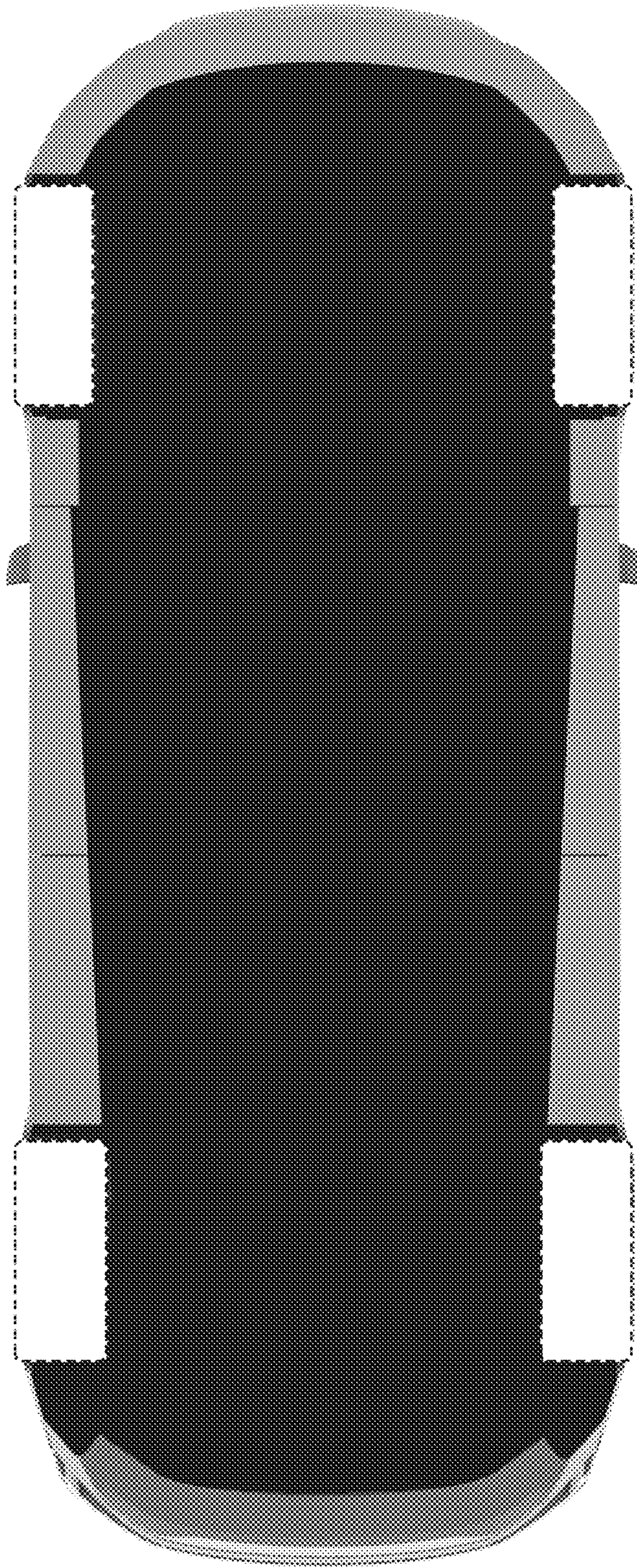


FIG. 8