



US00D972453S

(12) **United States Design Patent** (10) **Patent No.:** **US D972,453 S**  
**Ives et al.** (45) **Date of Patent:** **\*\* Dec. 13, 2022**

(54) **UNMANNED MARINE SURFACE VESSEL**

(71) Applicant: **Xocean Limited**, Carlingford (IE)

(72) Inventors: **James Ives**, Carlingford (IE); **Andrew Carlisle**, Belfast (GB); **Emma Ives**, Carlingford (IE)

(73) Assignee: **Xocean Limited**, Carlingford (IE)

(\*\*) Term: **15 Years**

(21) Appl. No.: **29/653,947**

(22) Filed: **Jun. 20, 2018**

(51) **LOC (13) Cl.** ..... **12-07**

(52) **U.S. Cl.**  
USPC ..... **D12/16.1; D12/3**

(58) **Field of Classification Search**  
USPC ..... D12/1, 2, 3, 4, 16.1, 319, 321, 322, 323, D12/324, 326, 327-344, 345, 300, 304, D12/305, 308, 310, 311, 312, 313, 314, D12/316, 317; D21/436, 439, 440, 441, D21/442, 444, 446, 447, 448, 449, 450, D21/451, 452, 453  
CPC ..... B64C 2201/021; B64C 2201/104; B64C 19/00; B64D 27/26; B63B 43/04; B63B 1/125; B63B 59/02

See application file for complete search history.

(56) **References Cited**

**U.S. PATENT DOCUMENTS**

D302,969 S *	8/1989	Pipkorn	.....	D12/314
D307,574 S *	5/1990	Pipkorn	.....	D12/312
D336,887 S *	6/1993	Granie	.....	D12/310
D590,760 S *	4/2009	Templeman	.....	D12/317
D723,999 S *	3/2015	van Oossanen	.....	D12/300
9,475,548 B1 *	10/2016	Slocum	.....	B63B 1/125
D770,965 S *	11/2016	Deurr	.....	D12/300
D843,888 S *	3/2019	Wang	.....	D12/16.1
D843,890 S *	3/2019	Yang	.....	D12/16.1

D865,637 S *	11/2019	Zhang	.....	D12/328
D869,334 S *	12/2019	Stroppiana	.....	D12/16.1
D872,003 S *	1/2020	Zolotuhin	.....	D12/310
D873,173 S *	1/2020	Brucker	.....	D12/1
D873,174 S *	1/2020	Sokuza	.....	D12/1
D880,550 S *	4/2020	Sokuza	.....	D15/199
D887,947 S *	6/2020	Ma	.....	D12/308
D888,613 S *	6/2020	Muto	.....	D12/1
D894,044 S *	8/2020	Muto	.....	D12/1
D895,526 S *	9/2020	Zolotuhin	.....	D12/317
D901,365 S *	11/2020	Urion	.....	D12/314
2018/0312230 A1 *	11/2018	Zolotuhin	.....	B63B 43/04

\* cited by examiner

*Primary Examiner* — Marissa J Cash

(74) *Attorney, Agent, or Firm* — Howard & Howard Attorneys PLLC

(57) **CLAIM**

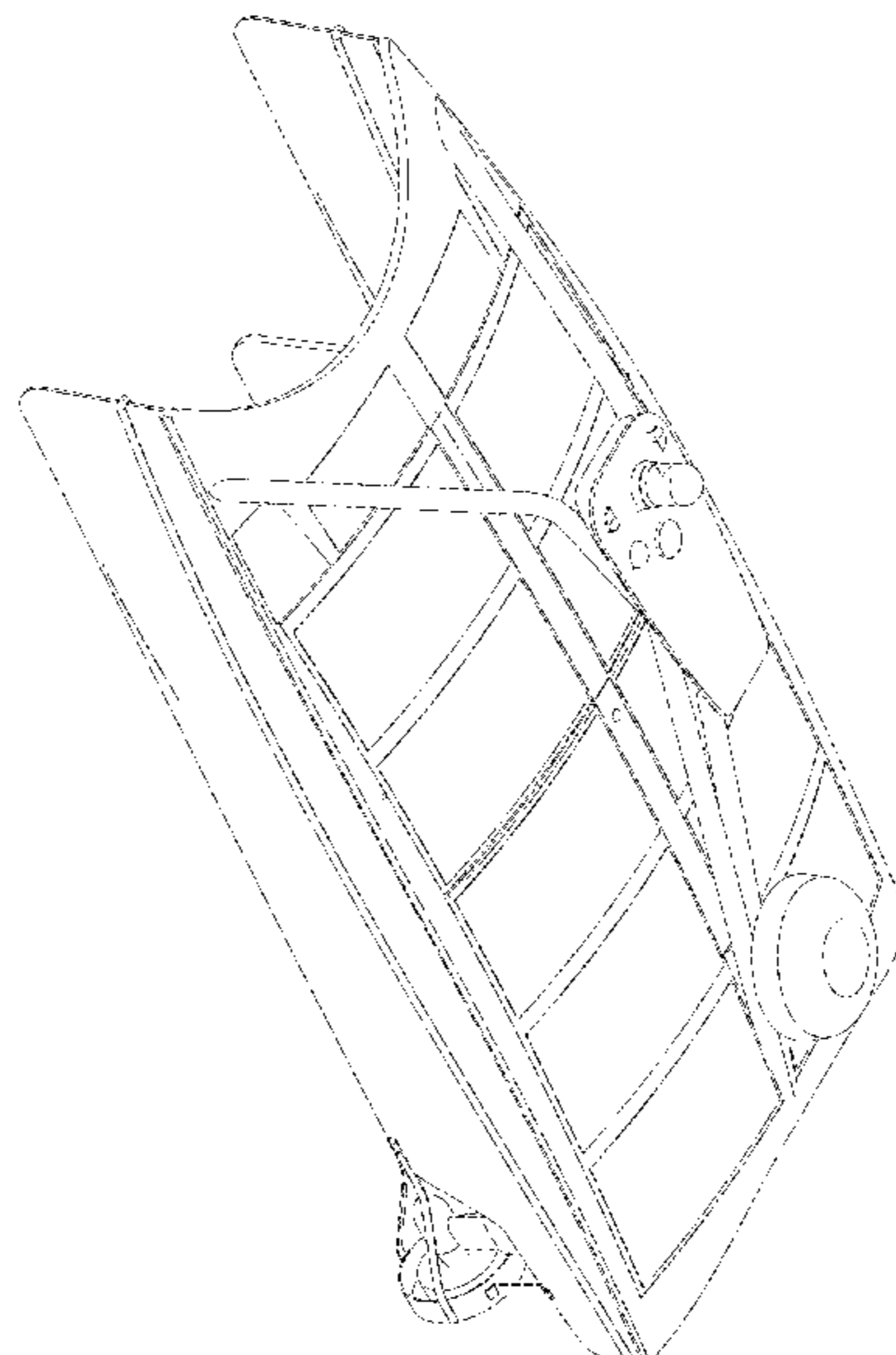
The ornamental design of an unmanned marine surface vessel, as shown and described.

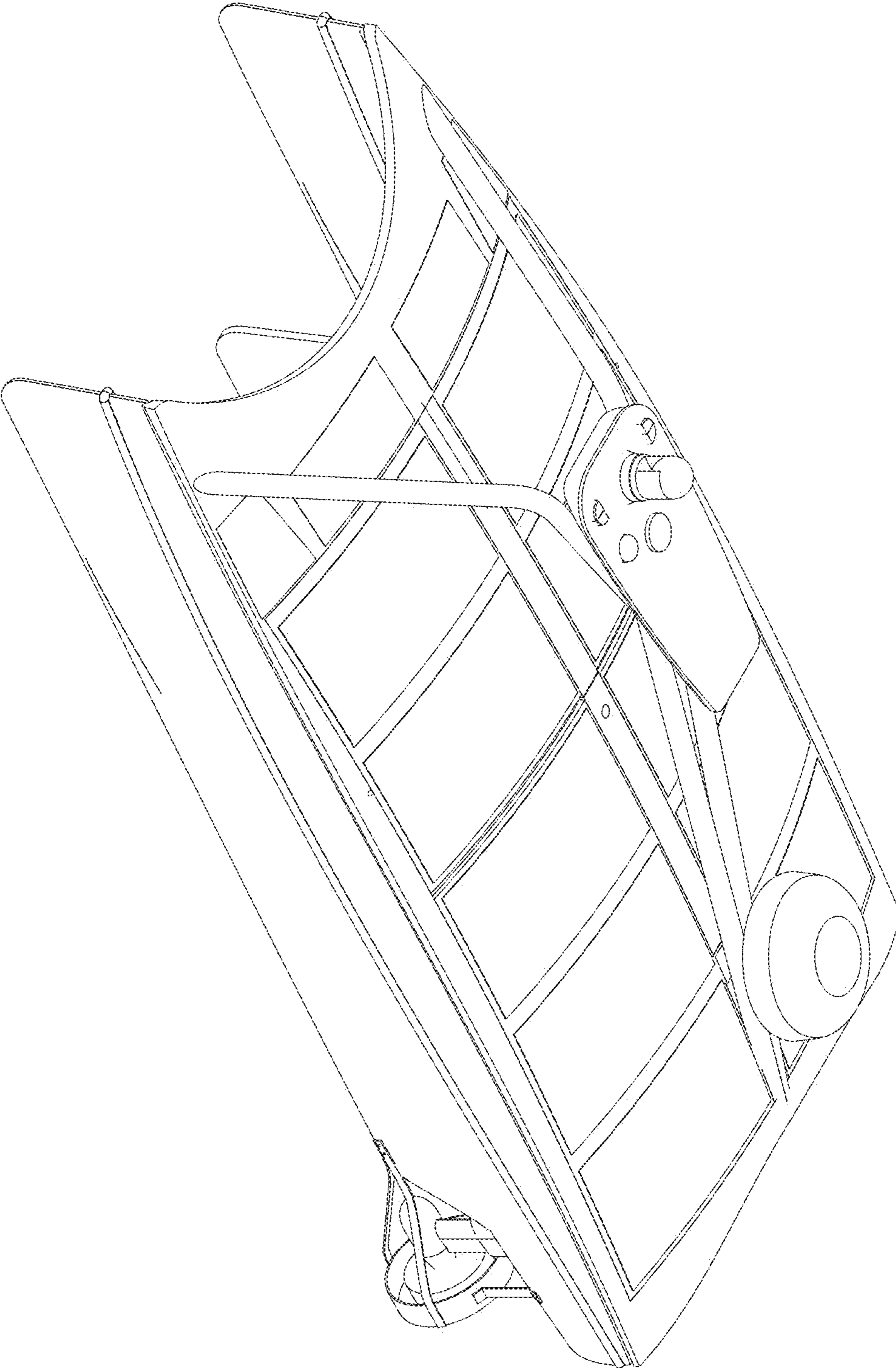
**DESCRIPTION**

FIG. 1 is a perspective view of an unmanned marine surface vessel;  
FIG. 2 is a bottom perspective view of the unmanned marine surface vessel;  
FIG. 3 is an elevated side view of the unmanned marine surface vessel;  
FIG. 4 is an elevated front view of the unmanned marine surface vessel;  
FIG. 5 is an elevated rear view of the unmanned marine surface vessel;  
FIG. 6 is an elevated top view of the unmanned marine surface vessel; and,  
FIG. 7 is an elevated bottom view of the unmanned marine surface vessel.

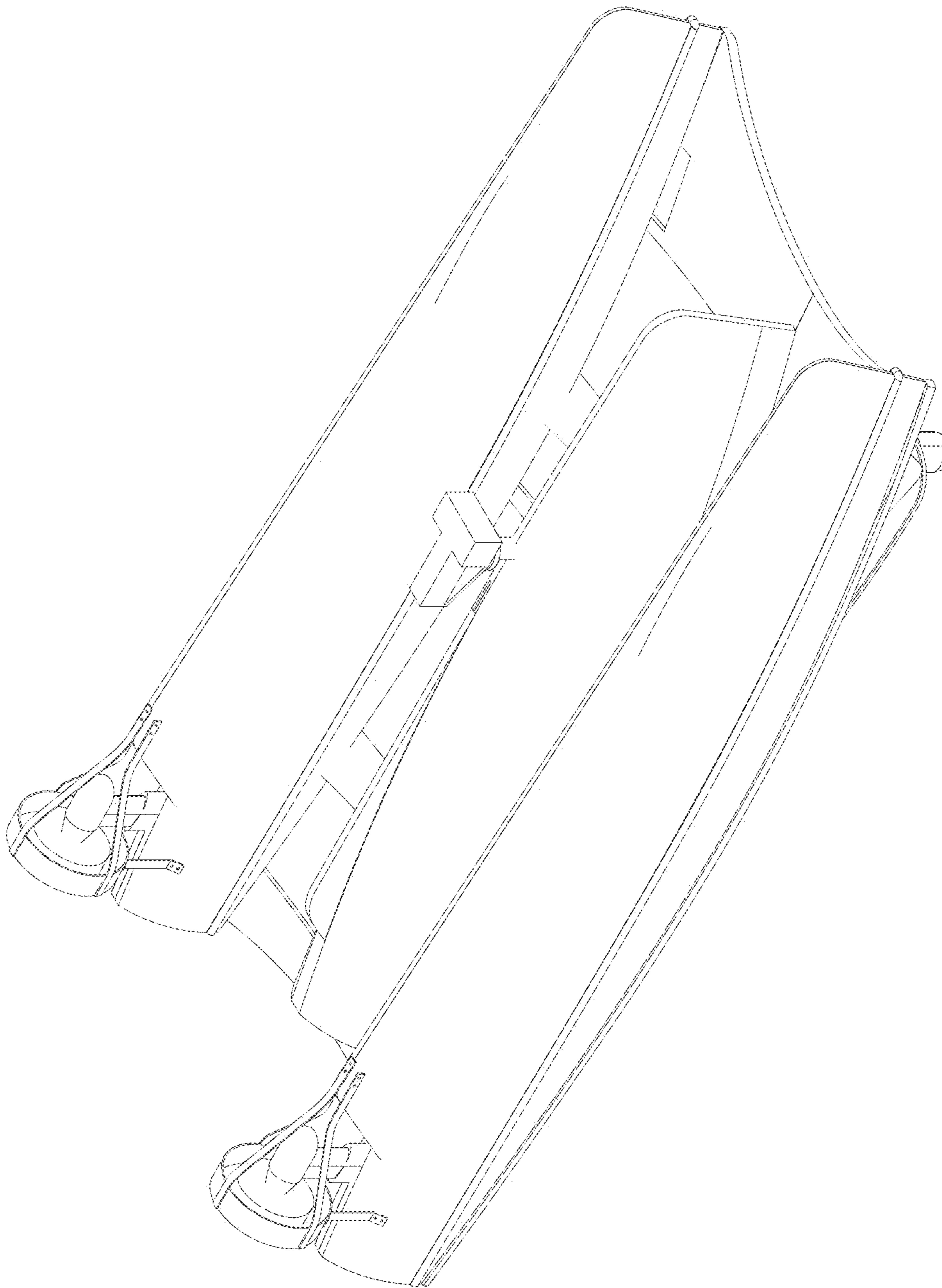
In the drawings, the broken lines represent unclaimed portions of the unmanned marine surface vessel and form no part of the claimed design.

**1 Claim, 7 Drawing Sheets**



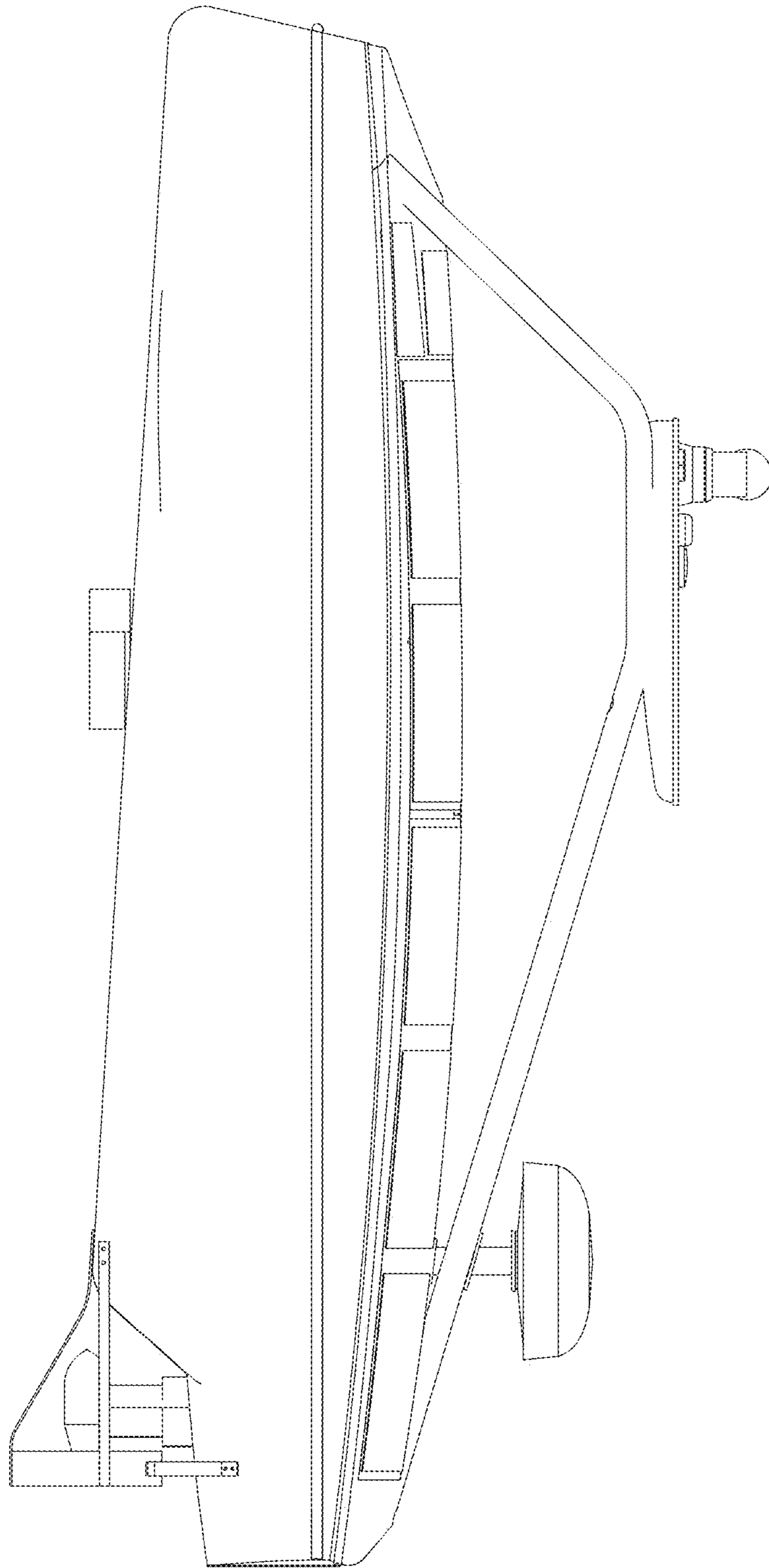


**FIG. 1**

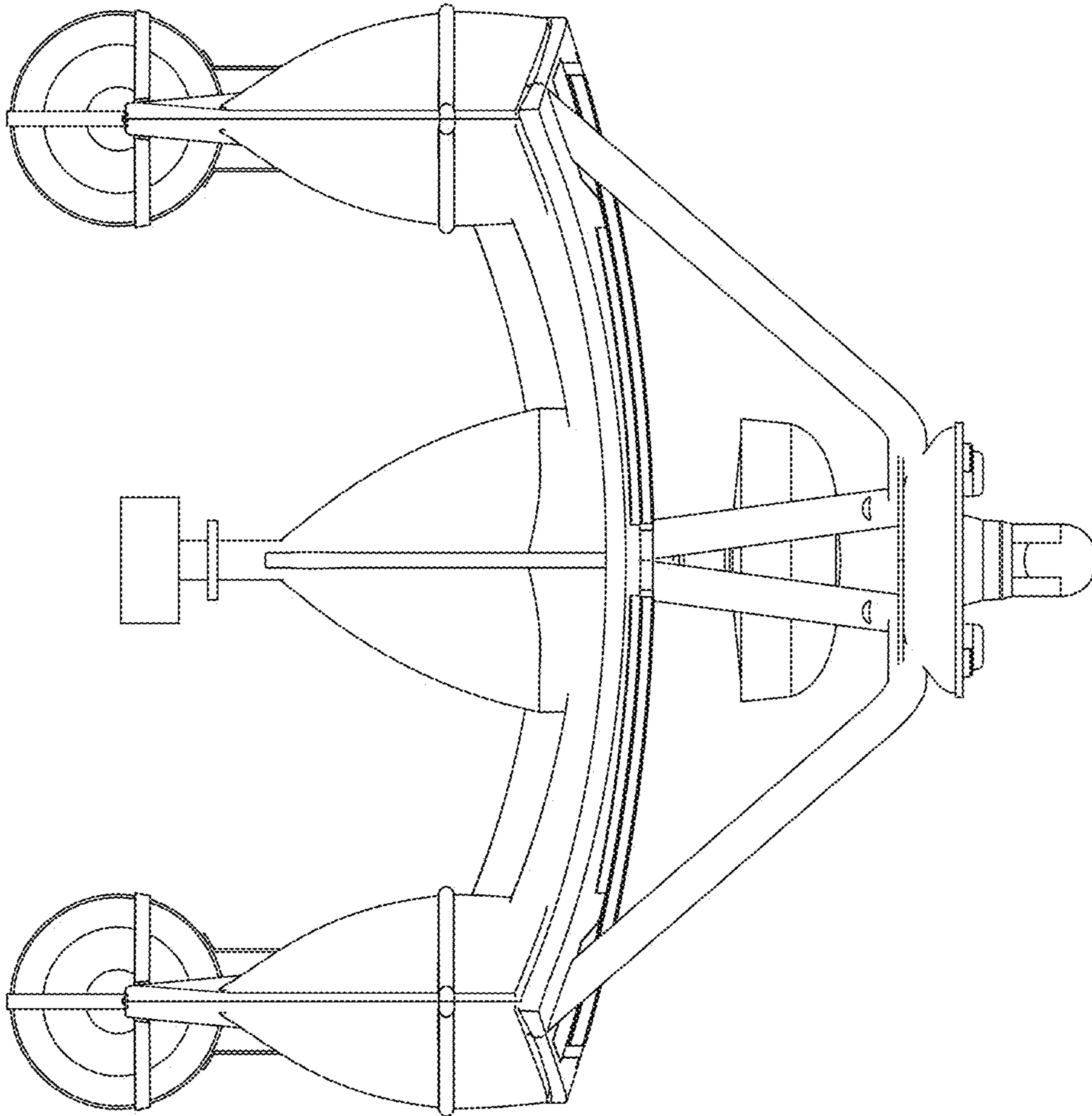


**FIG. 2**

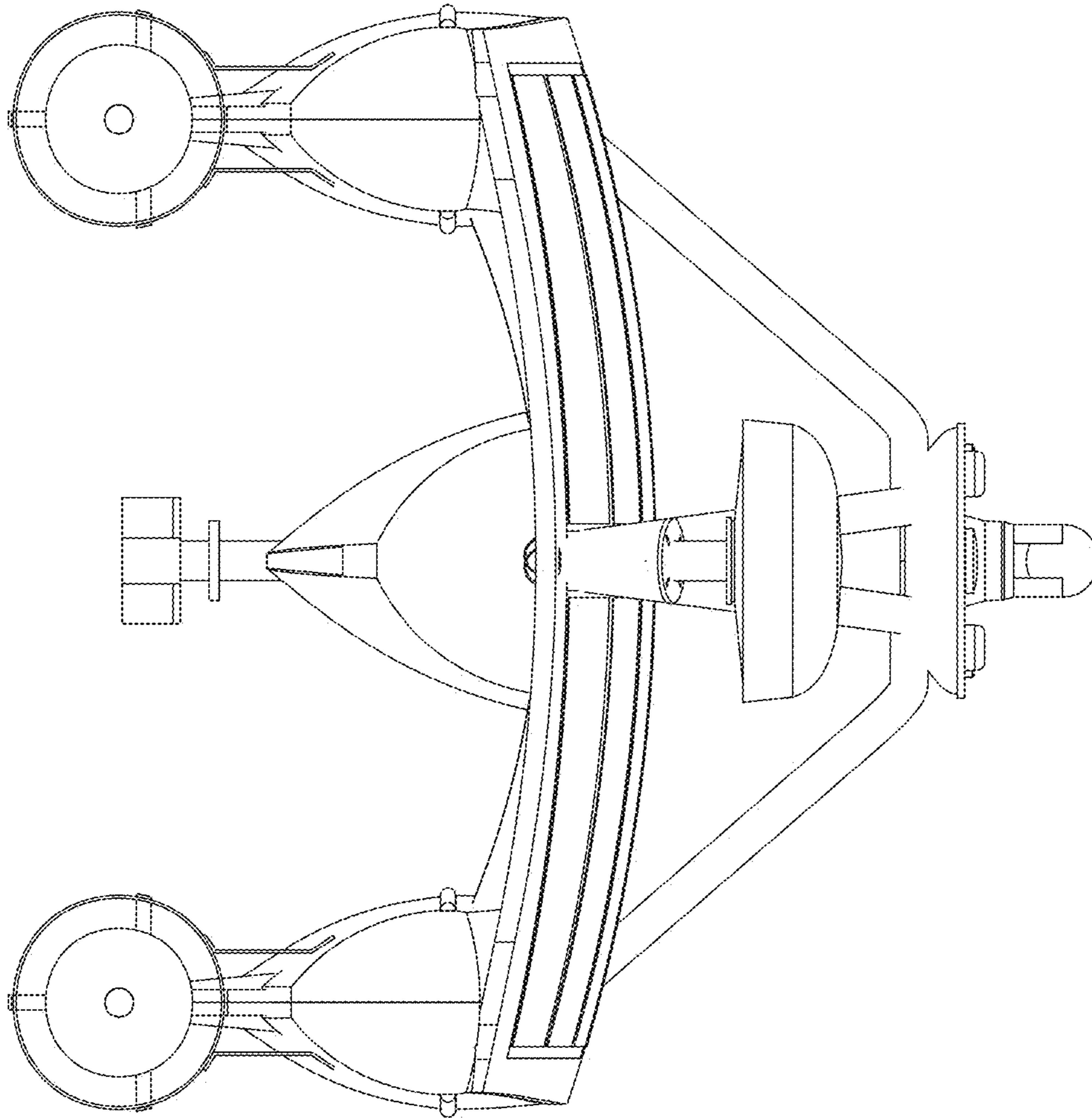




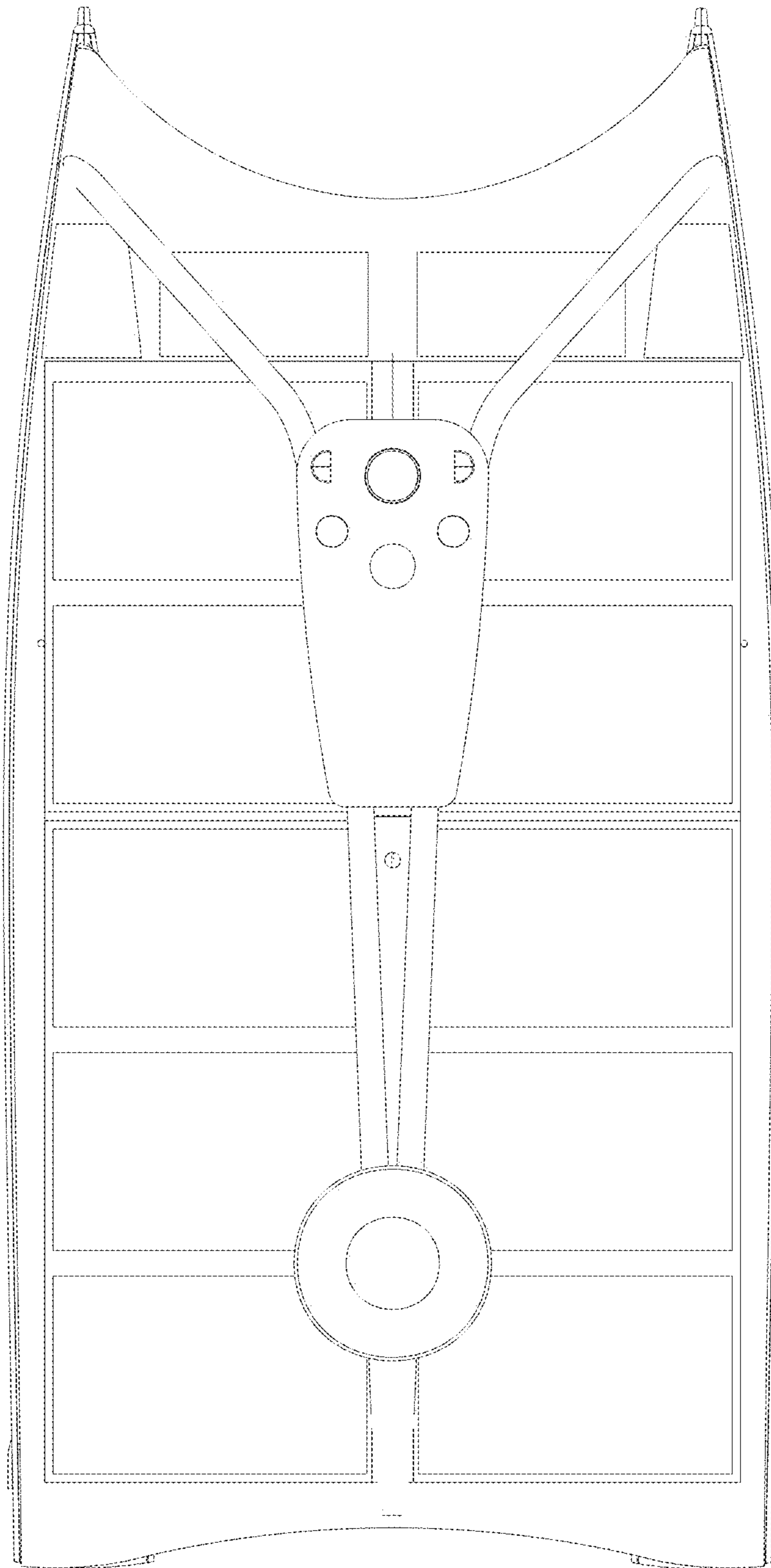
**FIG. 3**



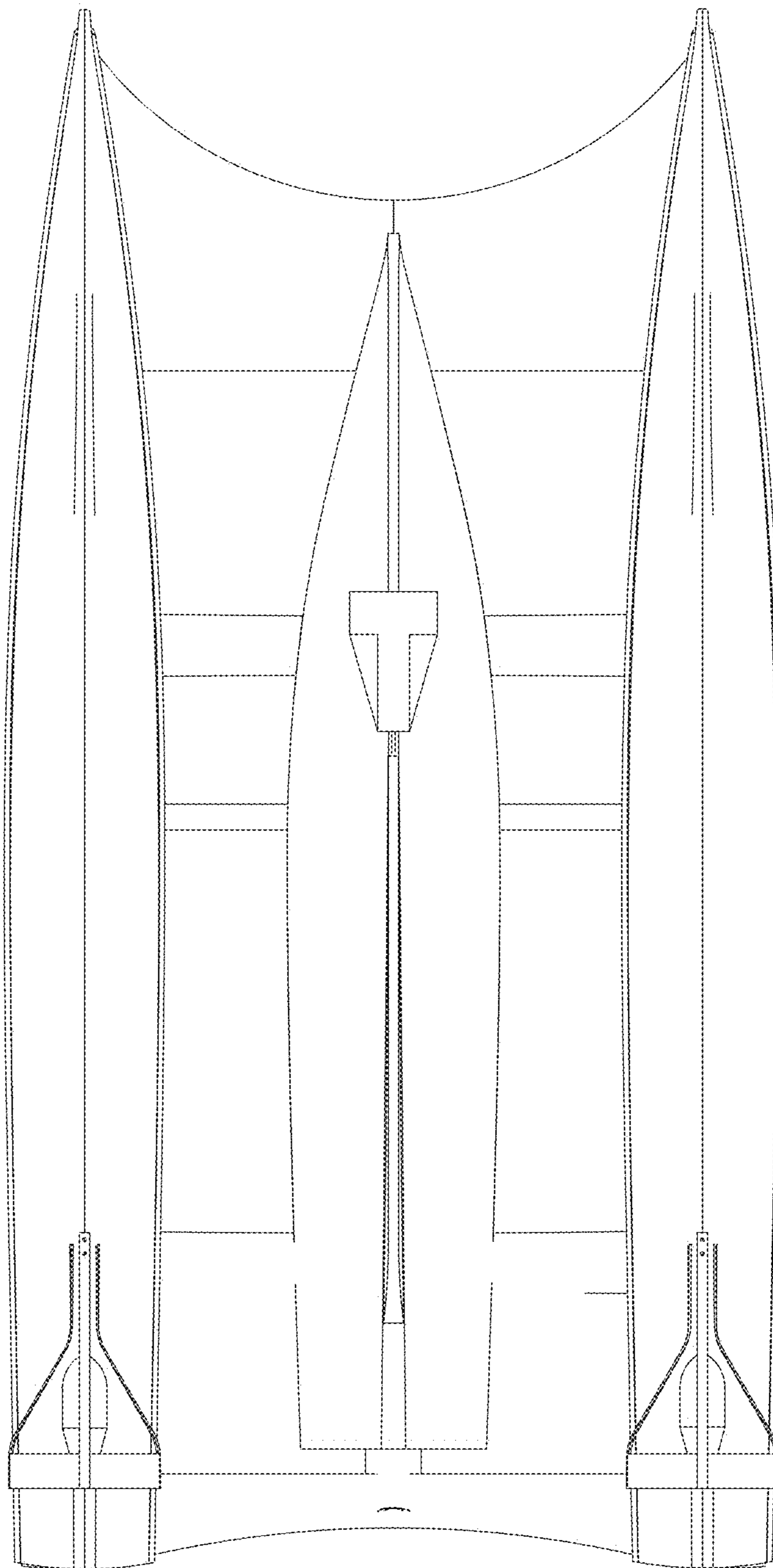
**FIG. 4**



**FIG. 5**



**FIG. 6**



**FIG. 7**