



US00D972452S

(12) **United States Design Patent**
Takazakura et al.

(10) **Patent No.:** **US D972,452 S**

(45) **Date of Patent:** **** Dec. 13, 2022**

- (54) **BUCKLE**
- (71) Applicant: **YKK Corporation**, Tokyo (JP)
- (72) Inventors: **Ryoichiro Takazakura**, Kurobe (JP);
Kenichi Yoshie, Kurobe (JP); **Yohei Shimizu**, Tokyo (JP); **Tetsuya Miyama**, Tokyo (JP)
- (73) Assignee: **YKK Corporation**, Tokyo (JP)
- (**) Term: **15 Years**
- (21) Appl. No.: **29/712,837**
- (22) Filed: **Nov. 12, 2019**
- (51) **LOC (13) Cl.** **02-07**
- (52) **U.S. Cl.**
USPC **D11/216**
- (58) **Field of Classification Search**
USPC D11/200, 201, 206, 212, 215, 216, 218,
D11/220; D29/100–101.5; D3/216;
D2/627–640; D6/333
CPC ... A44B 11/001; A44B 11/005; A44B 11/008;
A44B 11/02; A44B 11/00; A44B 11/065;
A44B 11/08; A44B 11/10; A44B 11/12;
A44B 11/125; A44B 11/14; A44B 11/226;
A44B 11/25; A44B 11/2503; A44B
11/2507; A44B 11/2511; A44B 11/2515;
A44B 11/2519; A44B 11/2523; A44B
11/253; A44B 11/2538; A44B 11/2549;
A44B 11/2553; A44B 11/2557; A44B
11/2561; A44B 11/2569; A44B 11/2576;
A44B 11/258; A44B 11/2588; A44B
11/26

See application file for complete search history.

(56) **References Cited**

U.S. PATENT DOCUMENTS

- D381,936 S * 8/1997 Anscher D11/216
- D386,125 S * 11/1997 Anscher D11/200

- 5,791,026 A * 8/1998 Anscher A44B 11/266
24/615
- 5,893,199 A * 4/1999 Anscher A44B 11/006
24/170
- D468,664 S * 1/2003 Nishida D11/216
- D519,409 S * 4/2006 Sporn D11/216
- D686,108 S * 7/2013 Paik D11/216
- D838,412 S * 1/2019 Wang D29/101.1
- D868,626 S * 12/2019 Paik D11/218
- D880,351 S * 4/2020 Paik D11/216
- 2013/0081236 A1* 4/2013 Parisi A44B 11/266
24/628
- 2015/0237970 A1* 8/2015 Baile A44B 11/001
24/601.7
- 2017/0127767 A1* 5/2017 Paik A45C 13/1069

* cited by examiner

Primary Examiner — Tracey J Bell

(74) *Attorney, Agent, or Firm* — Kilpatrick Townsend & Stockton LLP

(57) **CLAIM**

The ornamental design for a buckle, as shown and described.

DESCRIPTION

FIG. 1 is a perspective view of the front, bottom and right side of a buckle, showing our new design, in which a plug and a socket are engaged with each other;
 FIG. 2 is a front view of the buckle;
 FIG. 3 is a rear view of the buckle;
 FIG. 4 is a right side view of the buckle, the left side view being mirror image thereof;
 FIG. 5 is a top plan view of the buckle;
 FIG. 6 is a bottom view of the buckle;
 FIG. 7 is a perspective view of the front, bottom and right side of the plug disengaged from the socket;
 FIG. 8 is a front view of the plug; and,
 FIG. 9 is a rear view of the plug.

The broken lines depict portions of the buckle that form no part of the claimed design.

1 Claim, 9 Drawing Sheets

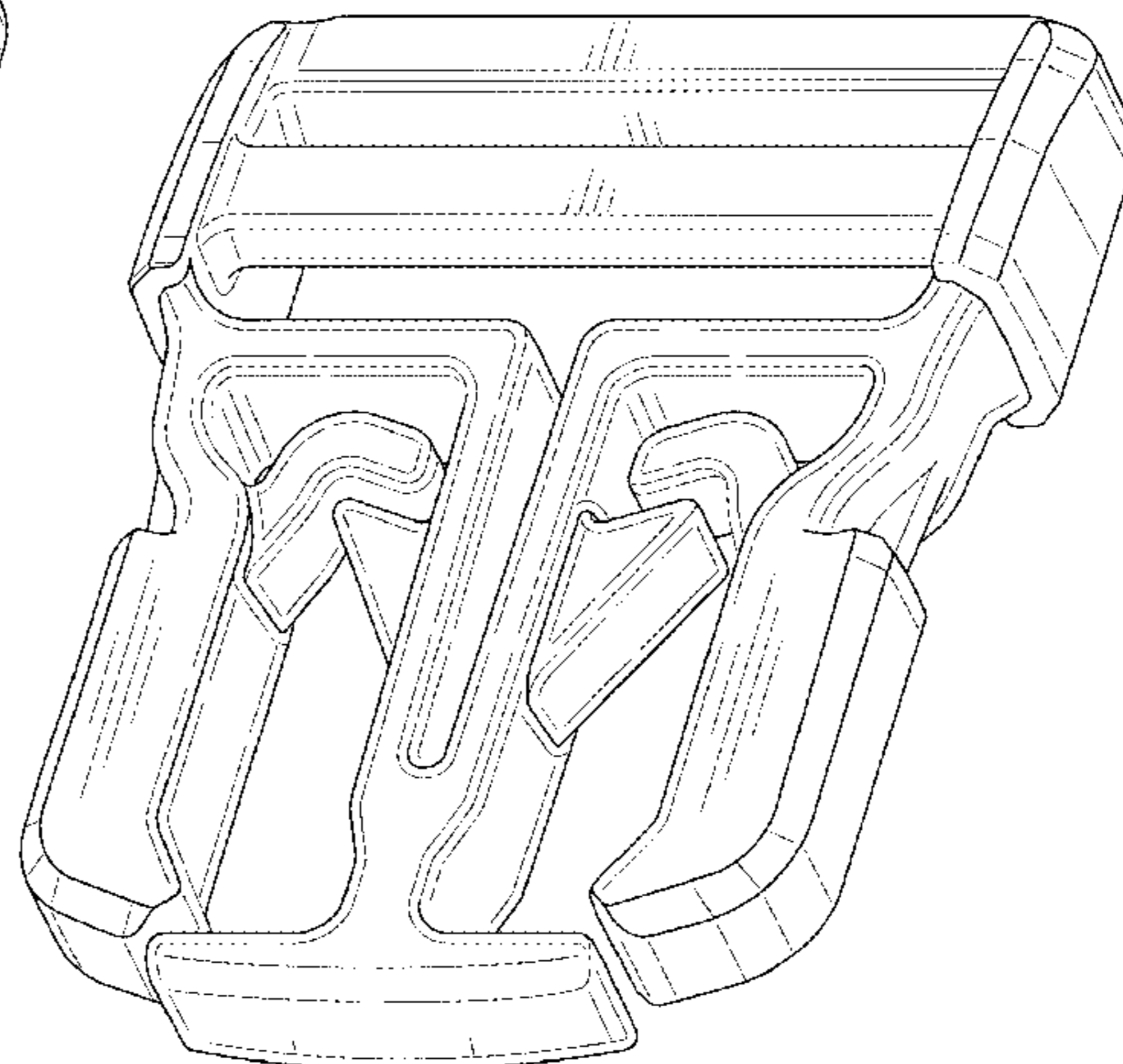
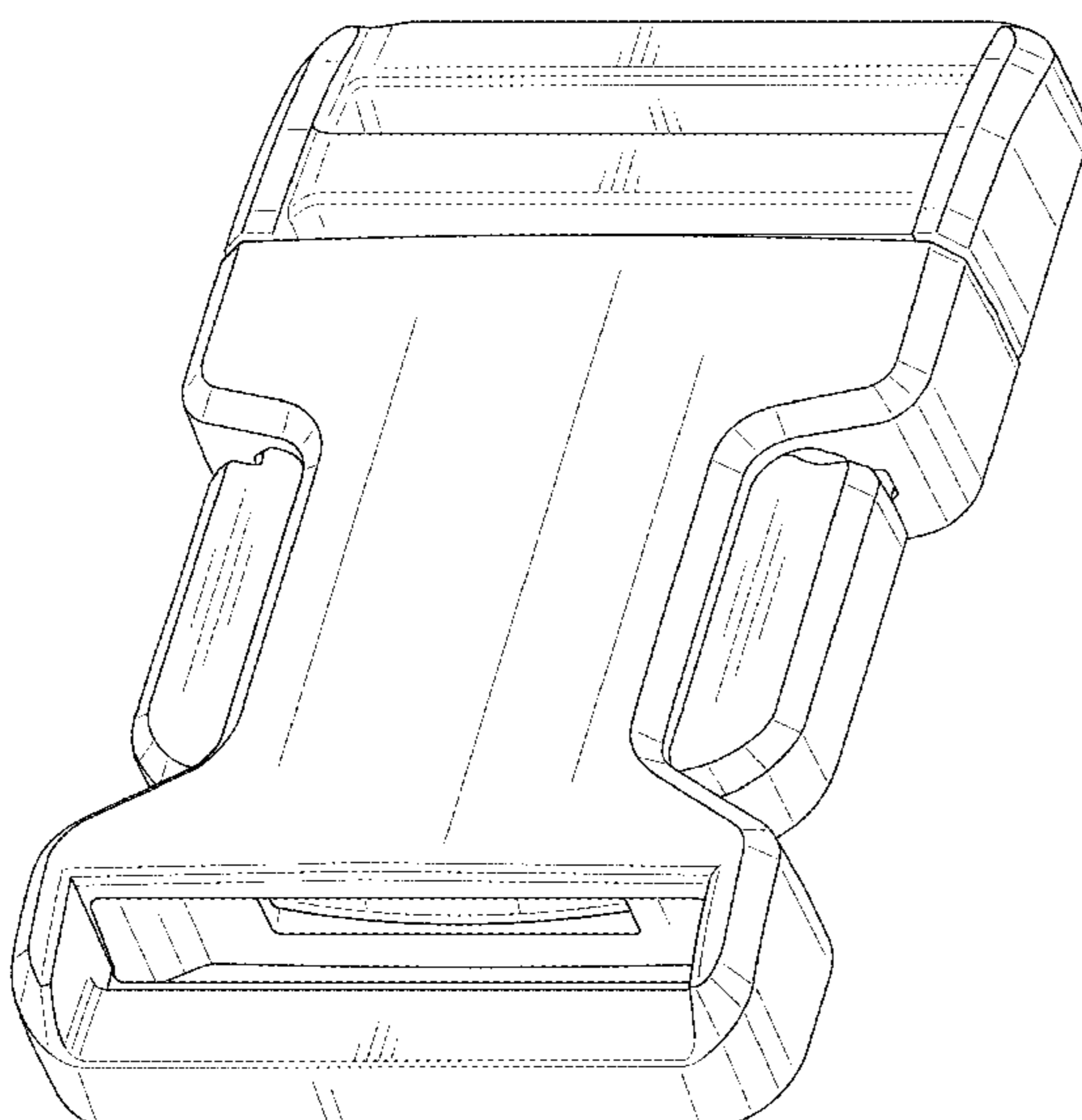


FIG. 1

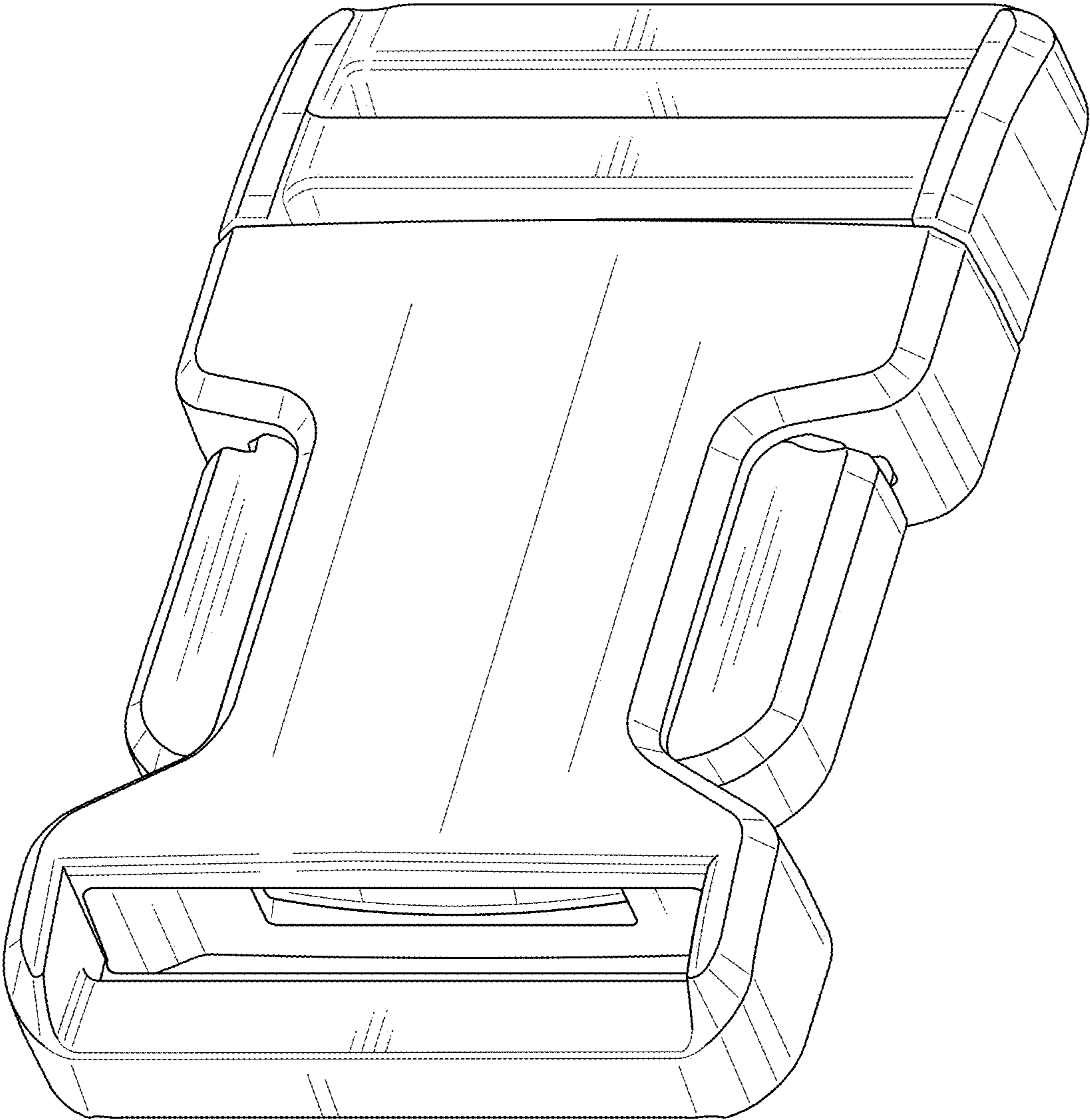


FIG. 2

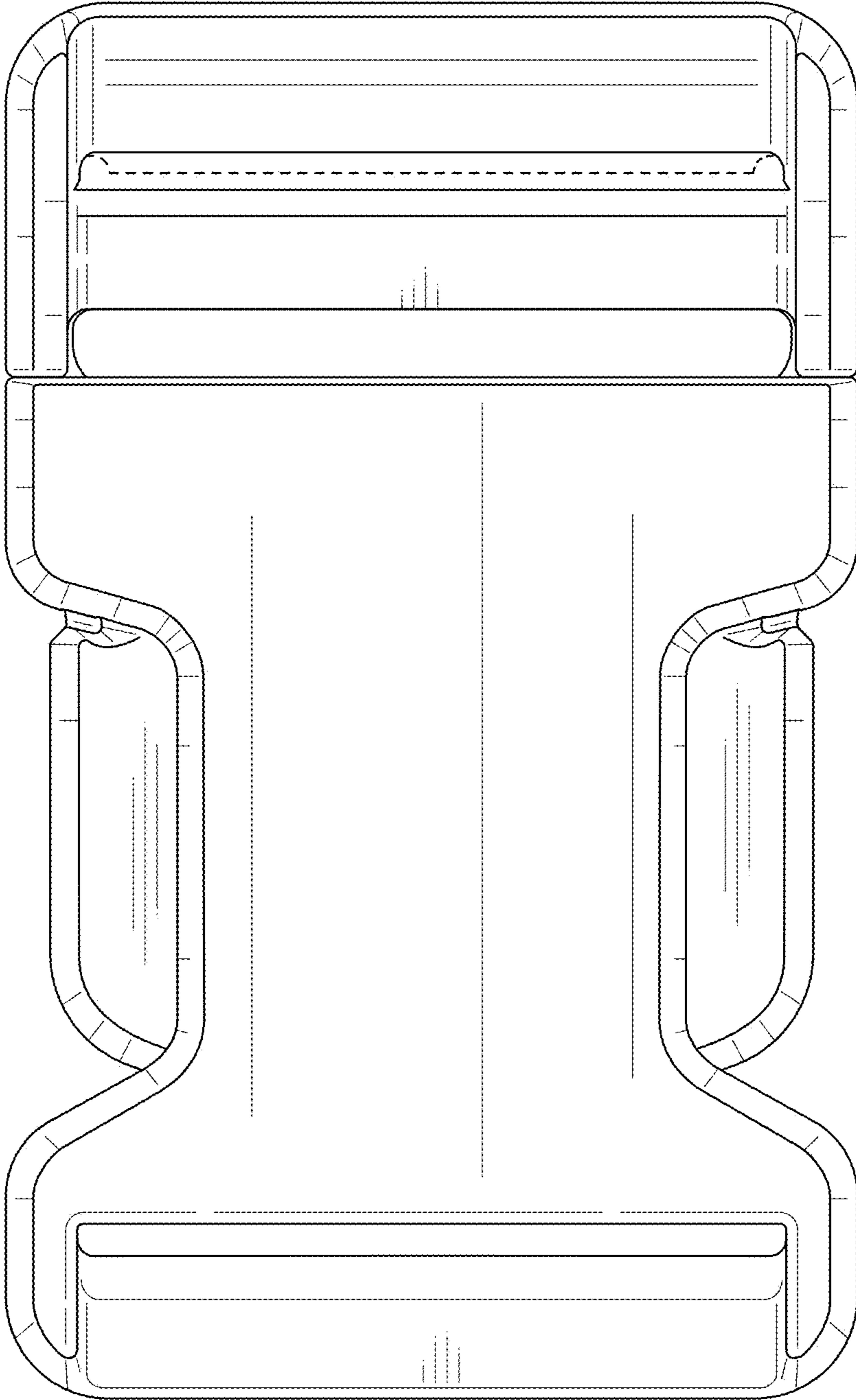


FIG. 3

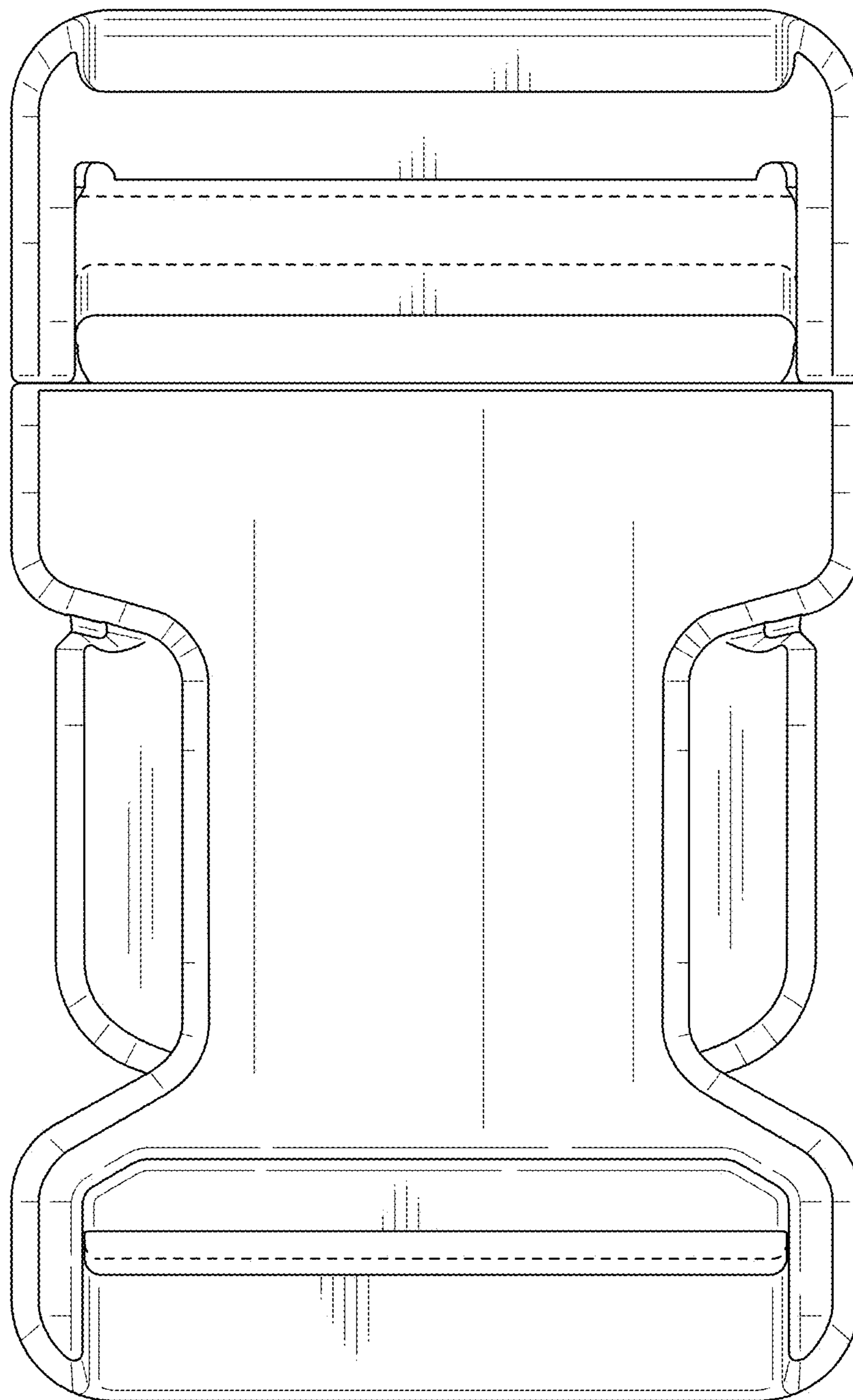


FIG. 4

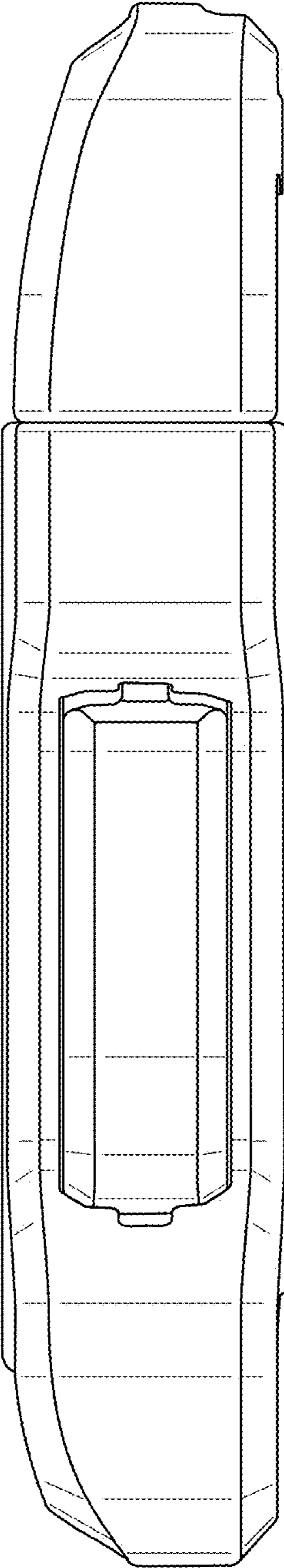


FIG. 5

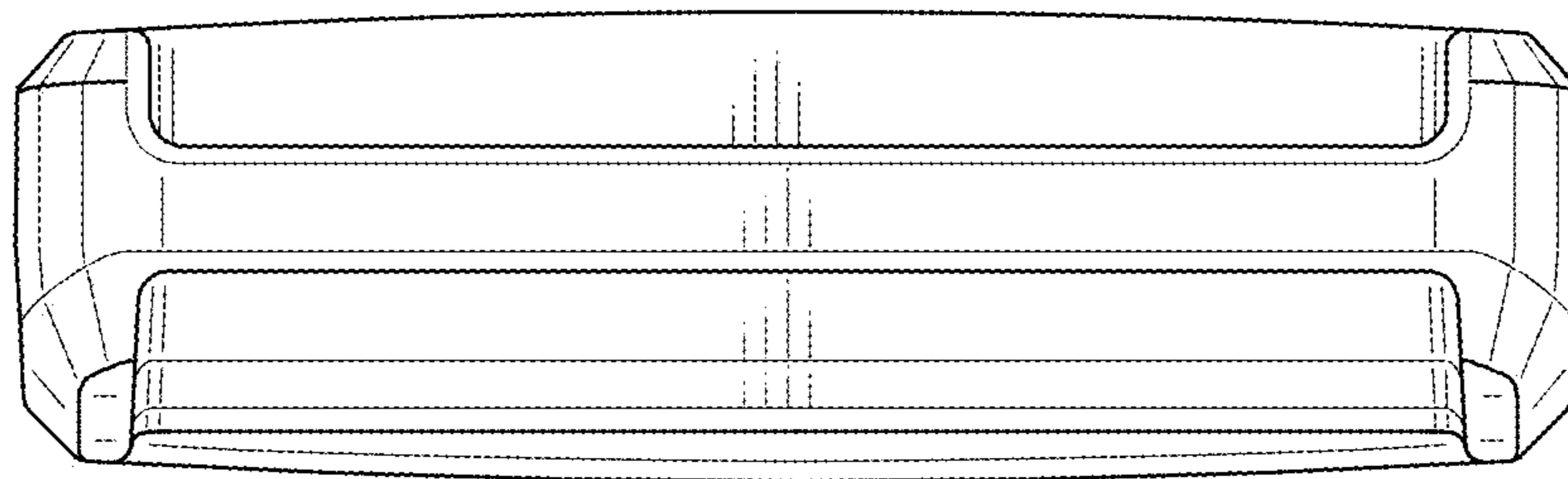


FIG. 6

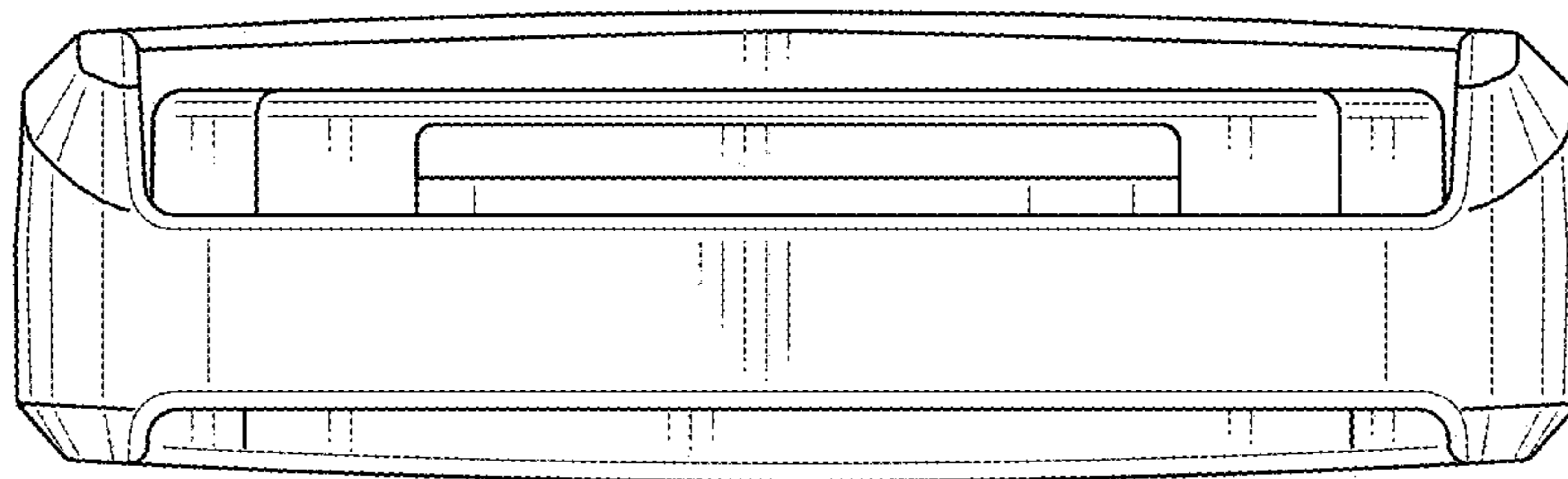


FIG. 7

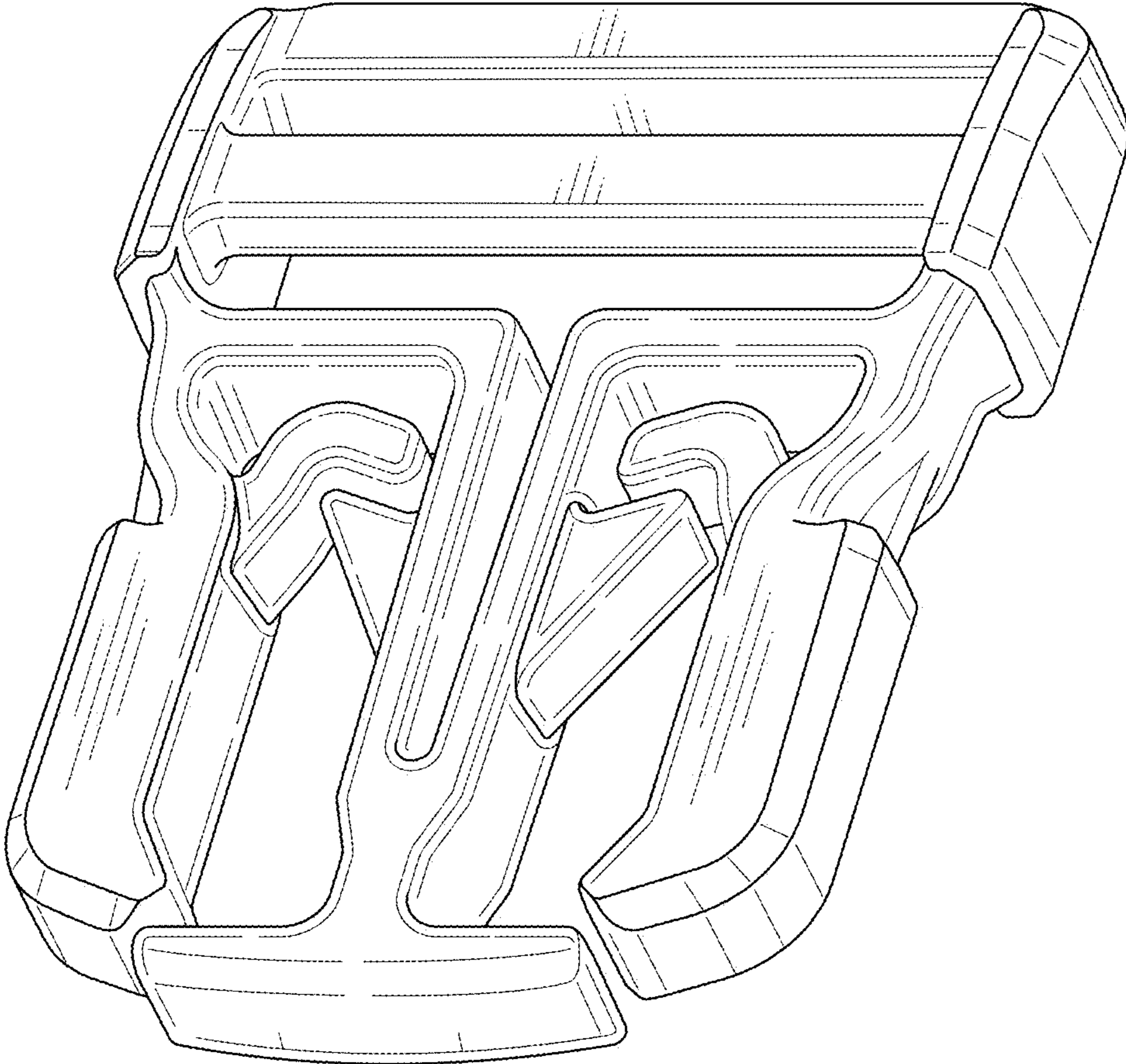


FIG. 8

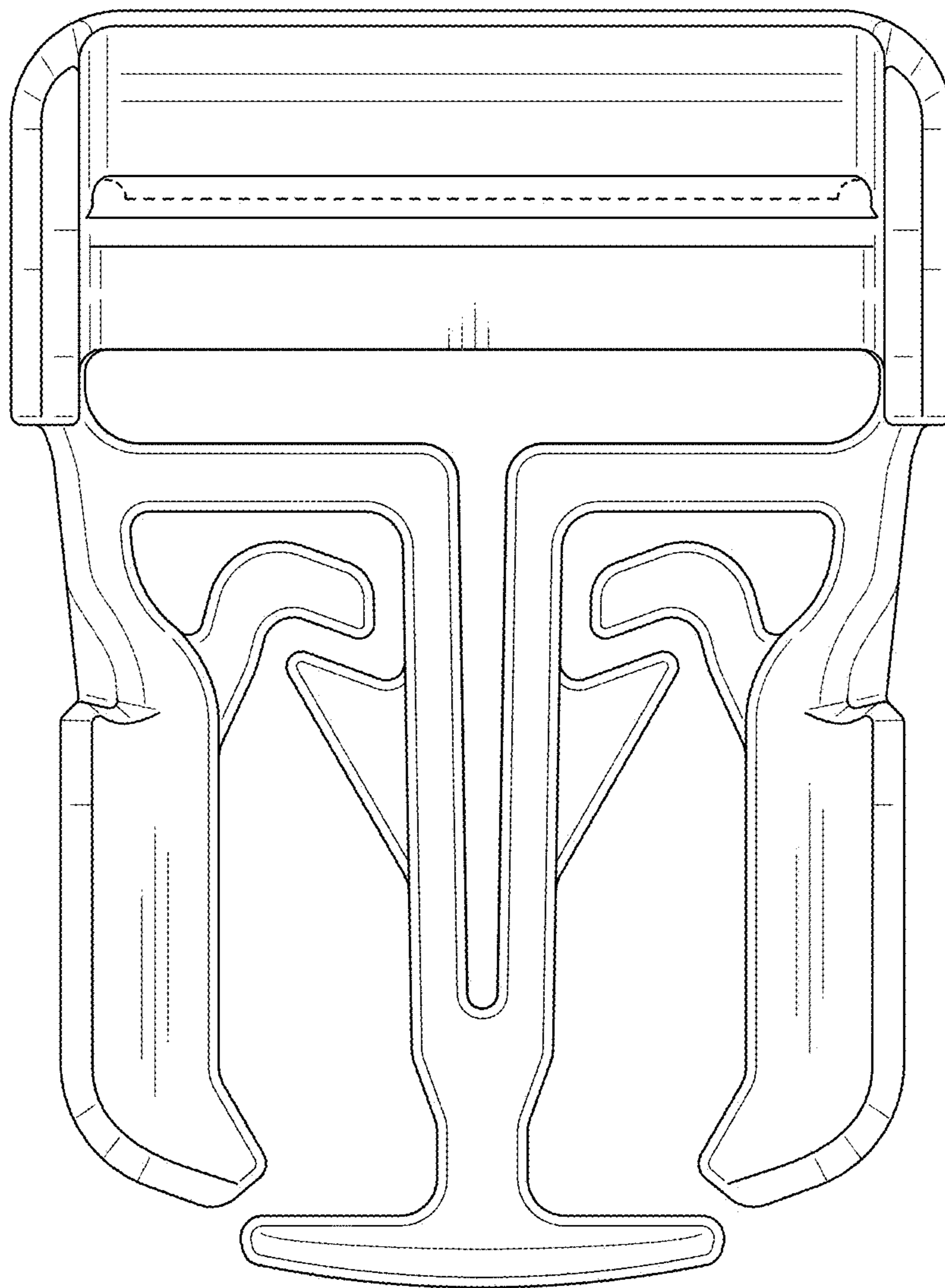


FIG. 9

