



US00D972451S

(12) **United States Design Patent** (10) **Patent No.:** **US D972,451 S**
Sun (45) **Date of Patent:** **** Dec. 13, 2022**

- (54) **MAGNETIC BUCKLE**
- (71) Applicant: **Suzhou Zewo Import Export Co., Ltd., Suzhou (CN)**
- (72) Inventor: **Weitao Sun, Suzhou (CN)**
- (73) Assignee: **Suzhou Zewo Import Export Co., Ltd., Suzhou (CN)**

D519,057 S * 4/2006 Gracer D11/221
 D572,170 S * 7/2008 Nielsen D11/207
 D602,397 S * 10/2009 Heroux D11/200
 (Continued)

- (**) Term: **15 Years**
- (21) Appl. No.: **29/806,331**

FOREIGN PATENT DOCUMENTS

CN 3159601 * 9/2000

- (22) Filed: **Sep. 2, 2021**
- (51) **LOC (13) Cl.** **02-07**
- (52) **U.S. Cl.**
USPC **D11/215**
- (58) **Field of Classification Search**
USPC D11/200-241, 3; D14/344; D10/32
CPC A44B 11/00; A44B 11/001; A44B 11/003;
A44B 11/005; A44B 11/006; A44B
11/008; A44B 11/02; A44B 11/04; A44B
11/06; A44B 11/10; A44B 11/12; A44B
11/22; A44B 11/25; A44B 11/2503; A44B
11/2507; A44B 17/00; A44B 17/0041;
A44B 18/00; A44B 18/0003; A44B
18/0007; A44B 18/0019
See application file for complete search history.

OTHER PUBLICATIONS

Linsoir Beads Brass Made Round Magnetic Clasp, available Jul. 2, 2017, online, site visited Oct. 20, 2022. Available online, URL: <https://www.amazon.com/Linsoir-Magnetic-Stronger-Necklace-Bracelet/dp/B073QFKQHP/> (Year: 2017).*
 (Continued)

Primary Examiner — W. A. Teddy Falloway
Assistant Examiner — Sarah J Ault
 (74) *Attorney, Agent, or Firm* — ScienBiziP, P.C.

(56) **References Cited**

U.S. PATENT DOCUMENTS

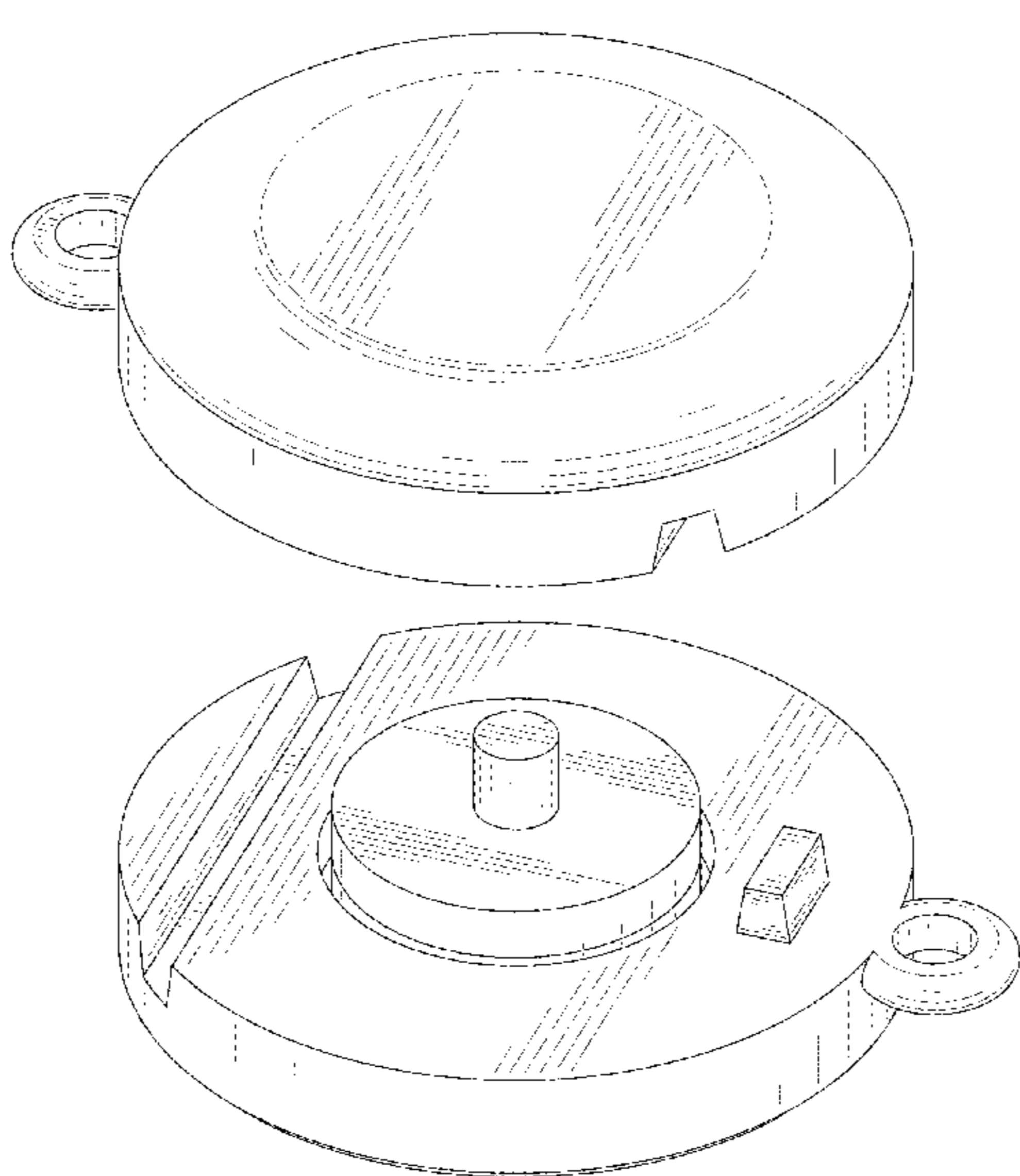
- D273,840 S * 5/1984 Morita D8/382
- D294,810 S * 3/1988 Morita D11/231
- D319,201 S * 8/1991 Aoki D11/220
- D335,266 S * 5/1993 Morita D11/231
- D375,061 S * 10/1996 Morita D11/220
- D401,889 S * 12/1998 Wong D11/220
- D431,453 S * 10/2000 Chan D8/382
- D435,835 S * 1/2001 Steck D13/168
- D457,834 S * 5/2002 Morita D11/220

(57) **CLAIM**
 The ornamental design for a magnetic buckle, as shown and described.

DESCRIPTION

FIG. 1 is a front, right, and top perspective view of a magnetic buckle, showing my design.
 FIG. 2 is a rear, left, and bottom perspective view thereof.
 FIG. 3 is a front elevation view thereof.
 FIG. 4 is a rear elevation view thereof.
 FIG. 5 is a left side elevation view thereof.
 FIG. 6 is a right side elevation view thereof.
 FIG. 7 is a top plan view thereof.
 FIG. 8 is a bottom plan view thereof; and,
 FIG. 9 is a front, right, and top perspective view of a magnetic buckle wherein a top portion and a bottom portion of the magnetic buckle are buckled together.
 The broken lines shown in the drawings are included for the purpose of illustrating portions of the magnetic buckle that form no part of the claimed design.

1 Claim, 9 Drawing Sheets



(56)

References Cited

U.S. PATENT DOCUMENTS

D631,780	S	*	2/2011	Levy	D11/87
D664,891	S	*	8/2012	Takeda	D11/220
D665,304	S	*	8/2012	Takeda	D11/220
D671,862	S		10/2012	Metsker	
D715,184	S	*	10/2014	Howard McElroy	D11/200
D735,607	S	*	8/2015	Oberwelz	D11/221
D791,016	S	*	7/2017	Gramatikas	D11/222
D822,536	S		7/2018	Wu	
D892,675	S	*	8/2020	Chan	D11/220
D898,614	S	*	10/2020	Hintner	D11/220
D941,702	S	*	1/2022	Bird	D11/220

OTHER PUBLICATIONS

Aiskaer 8pcs Silver Necklace Clasp, available Aug. 6, 2018, online, site visited Oct. 20, 2022. Available online, URL: <https://www.amazon.com/Aiskaer-Locking-Magnetic-Clasps-Jewelry/dp/B07JB5G8GL/> (Year: 2018).*

* cited by examiner

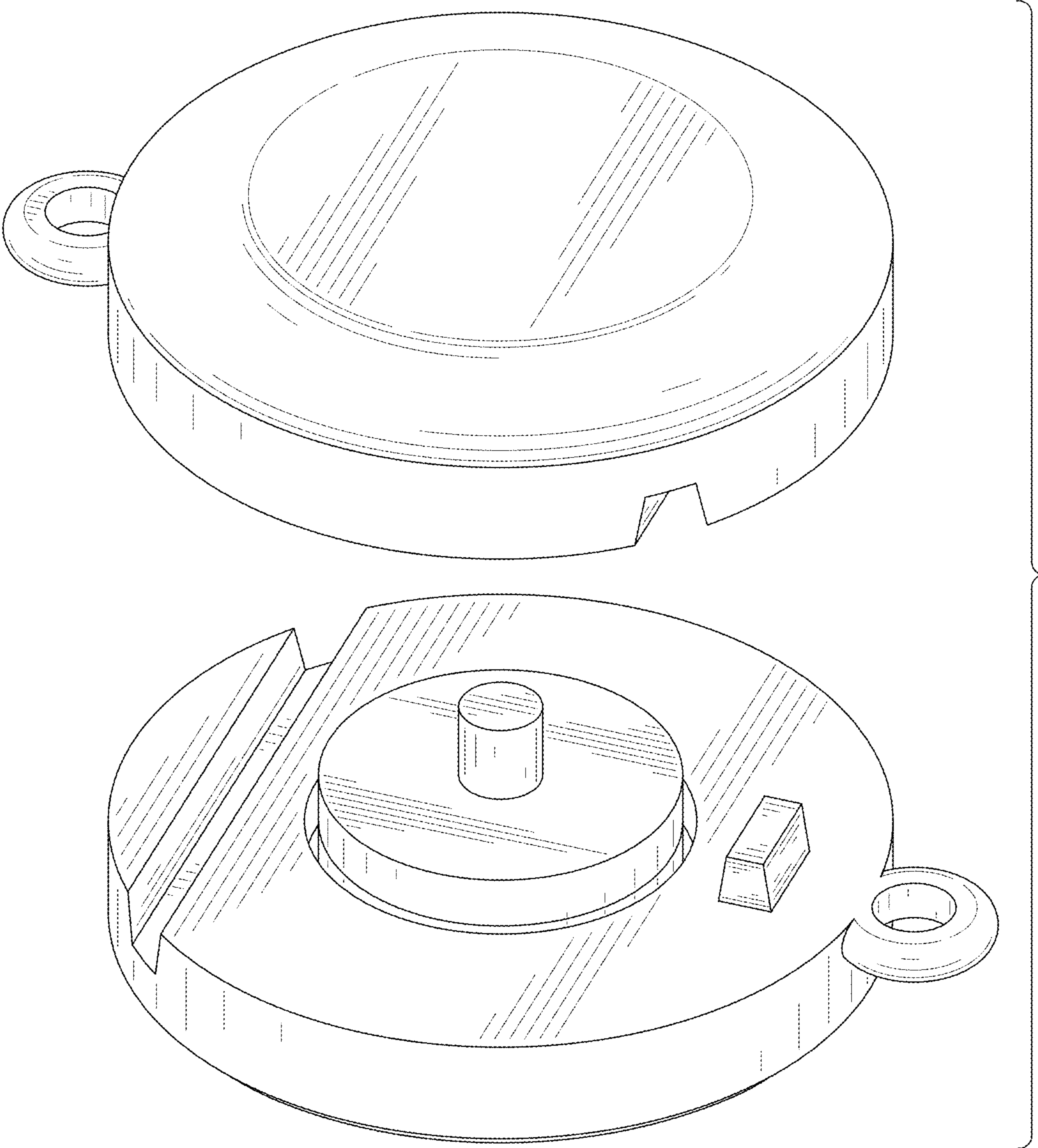


FIG. 1

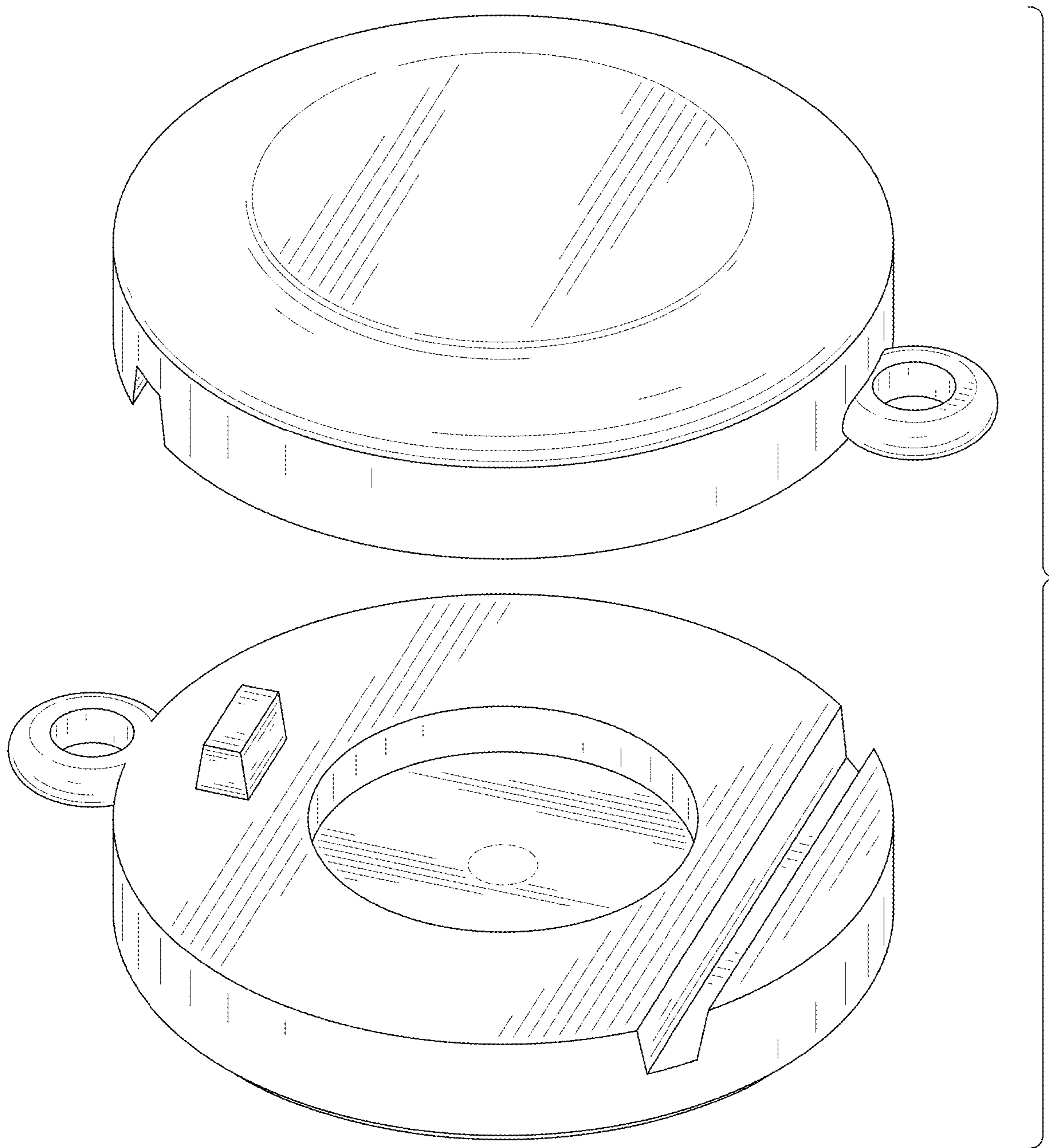


FIG. 2

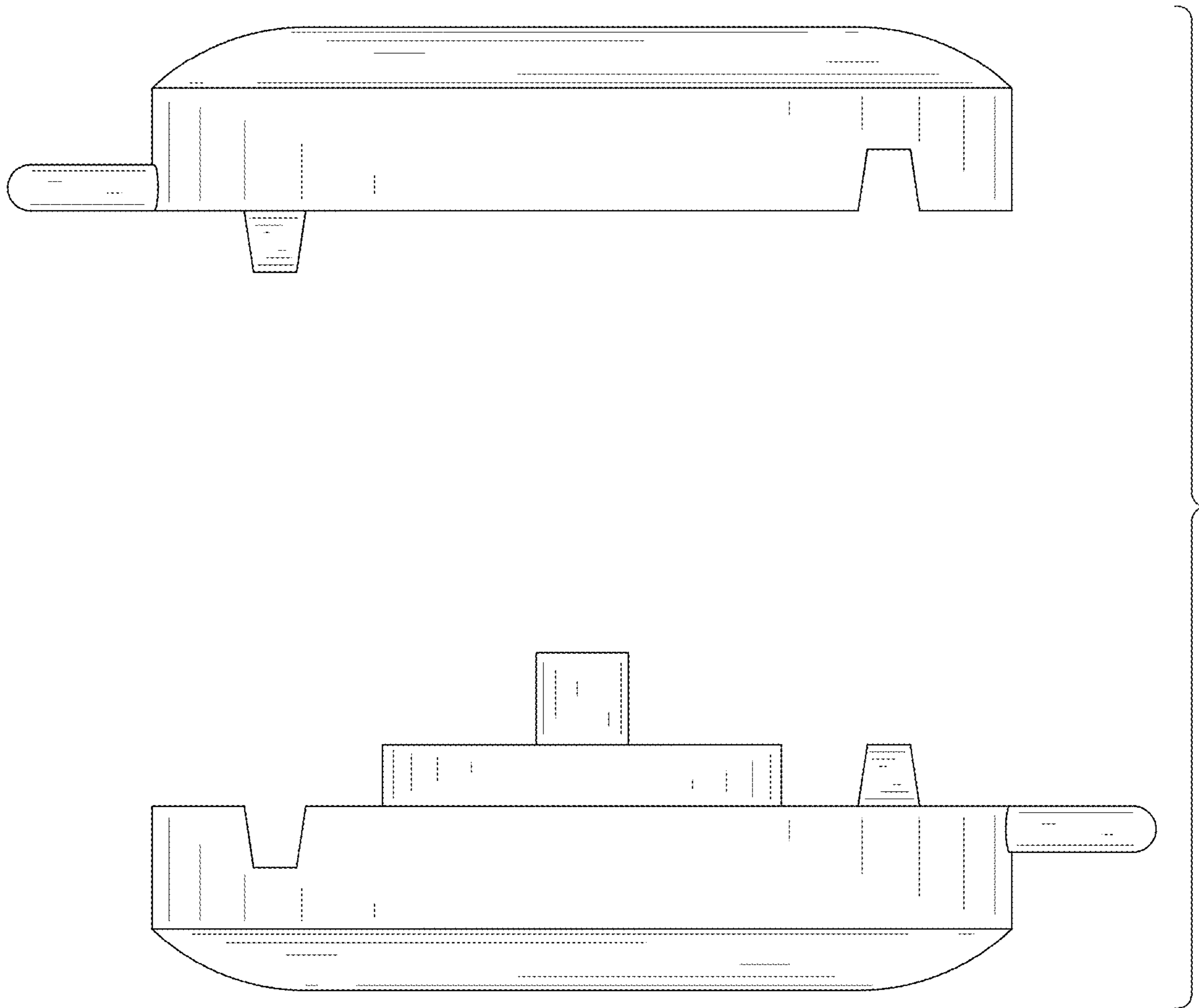


FIG. 3

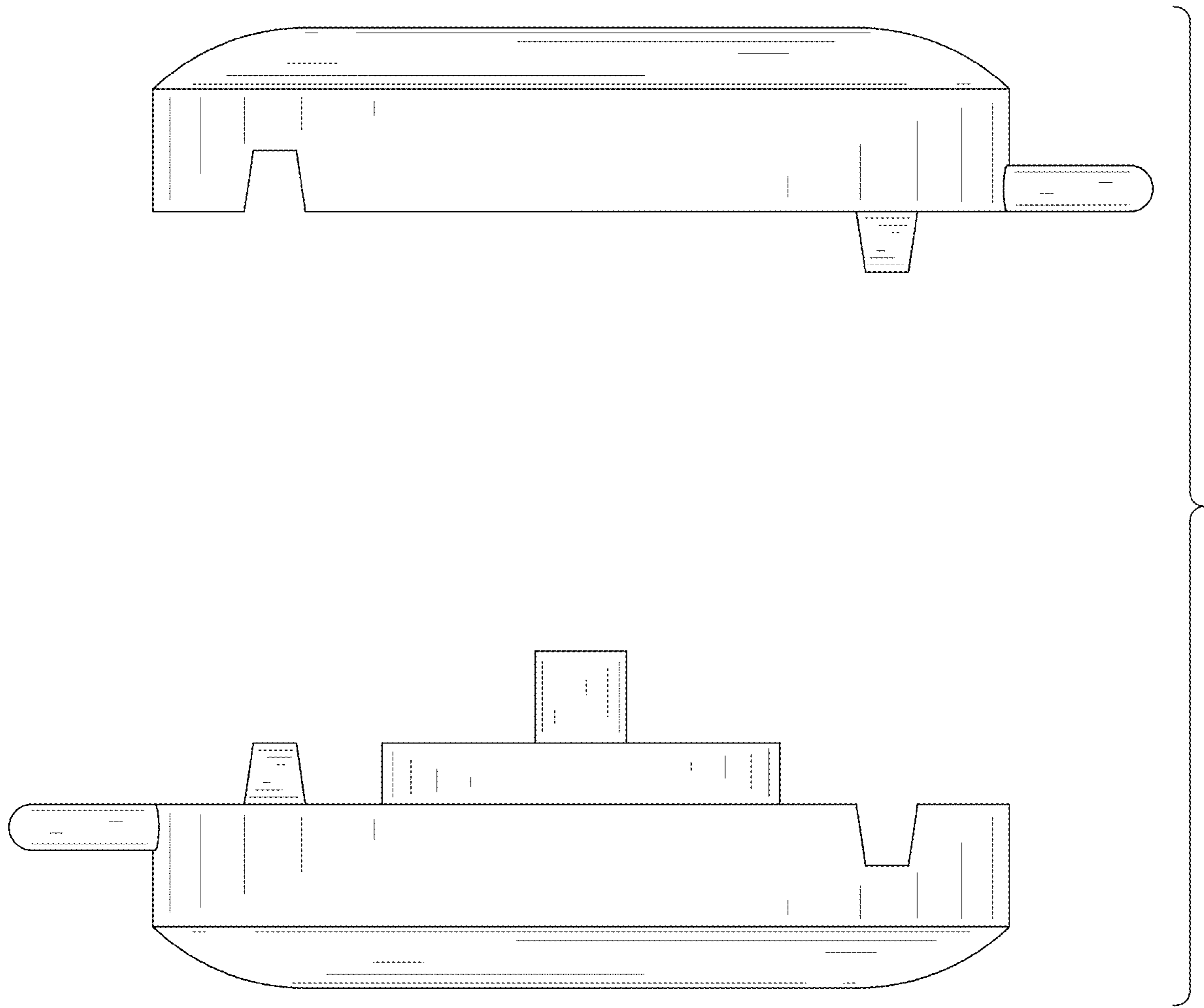


FIG. 4

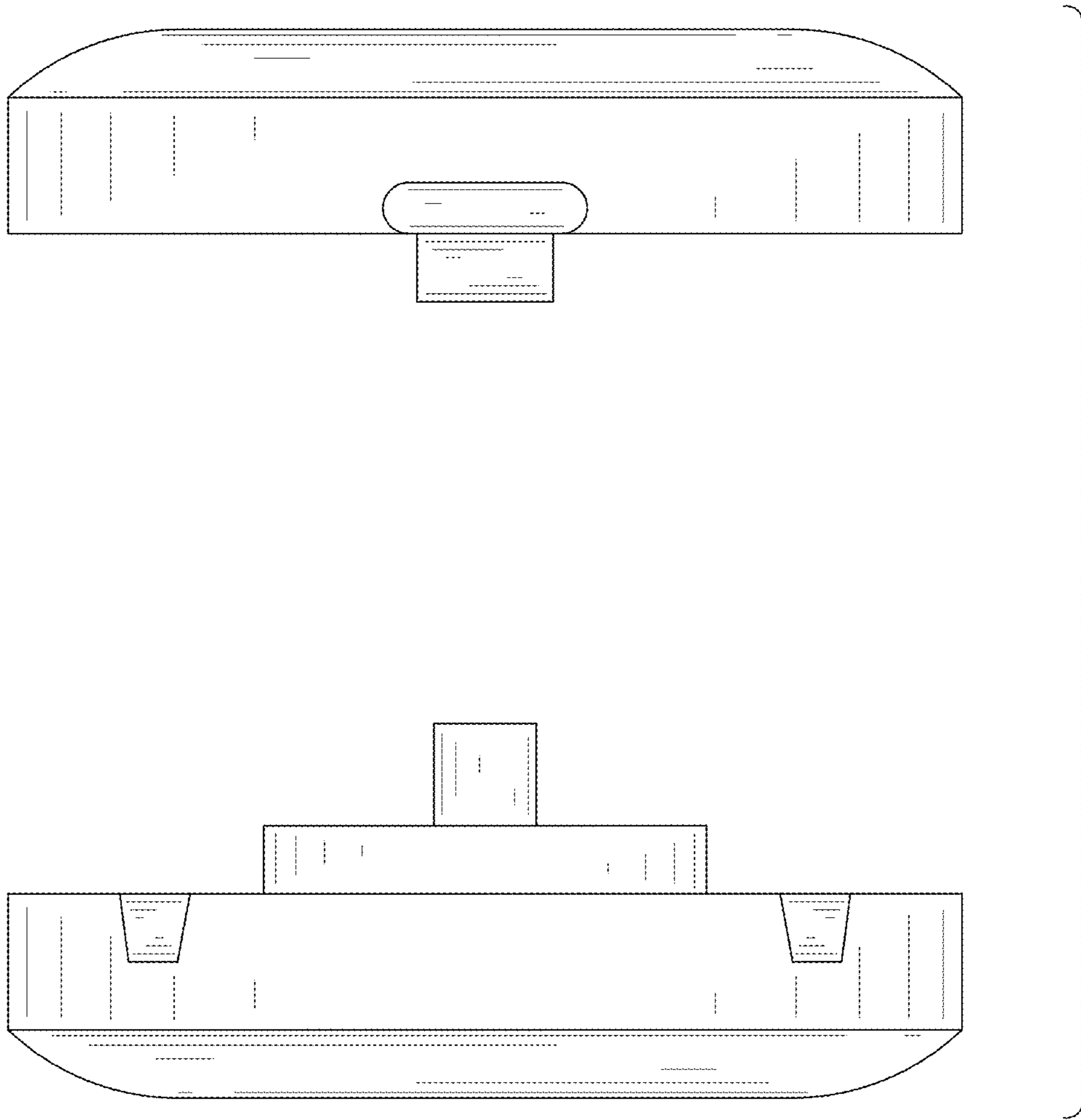


FIG. 5

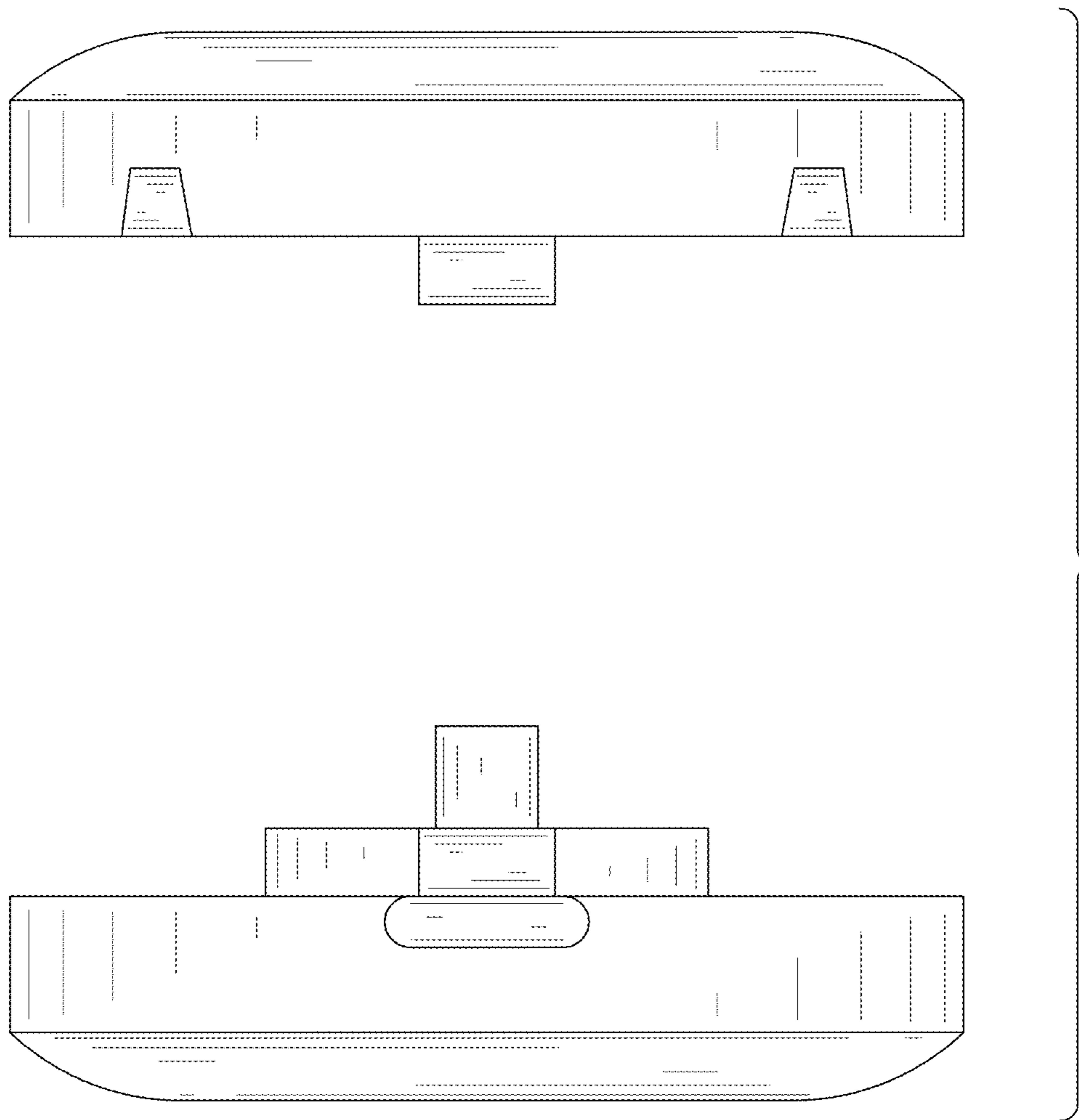


FIG. 6

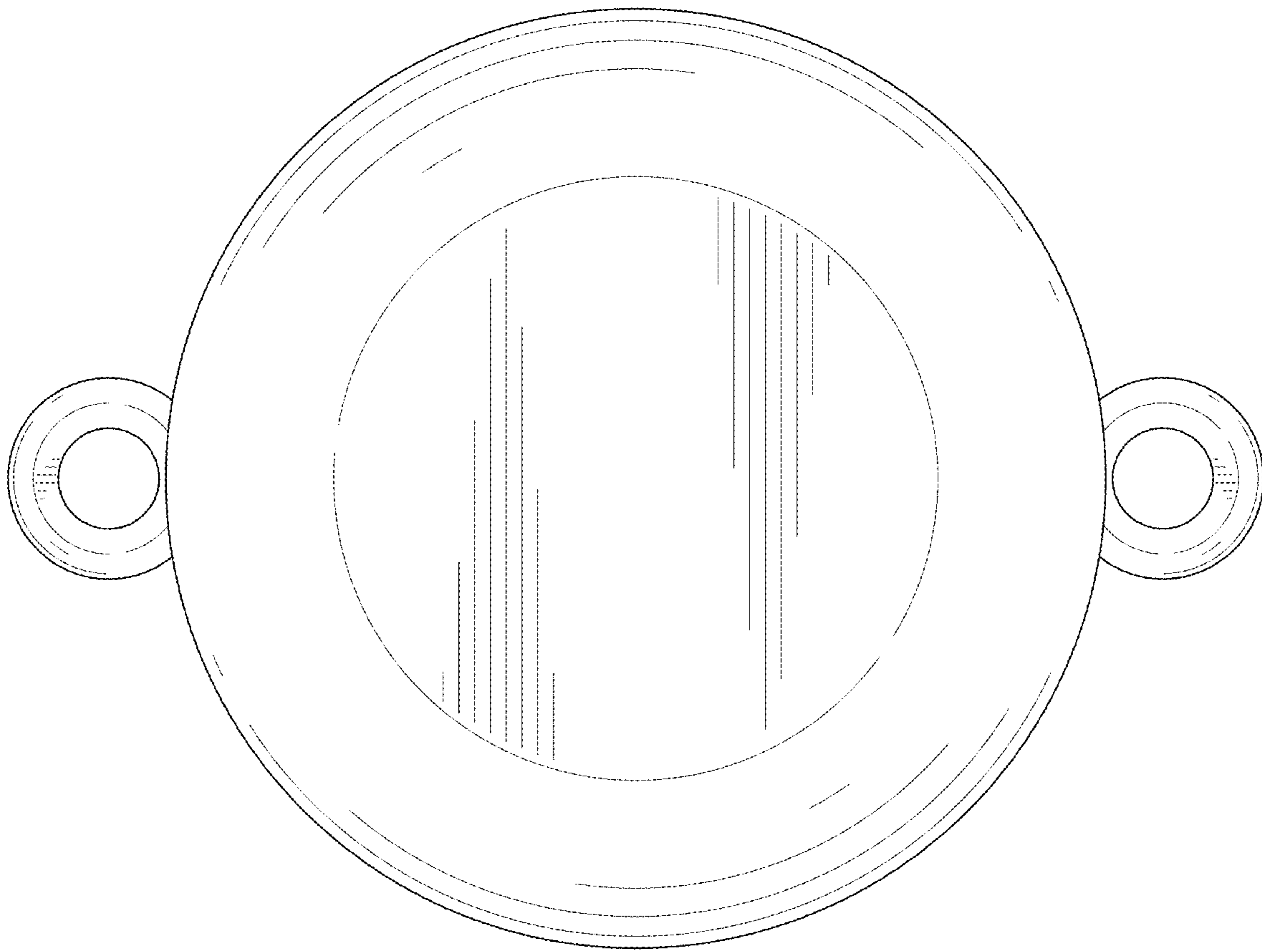


FIG. 7

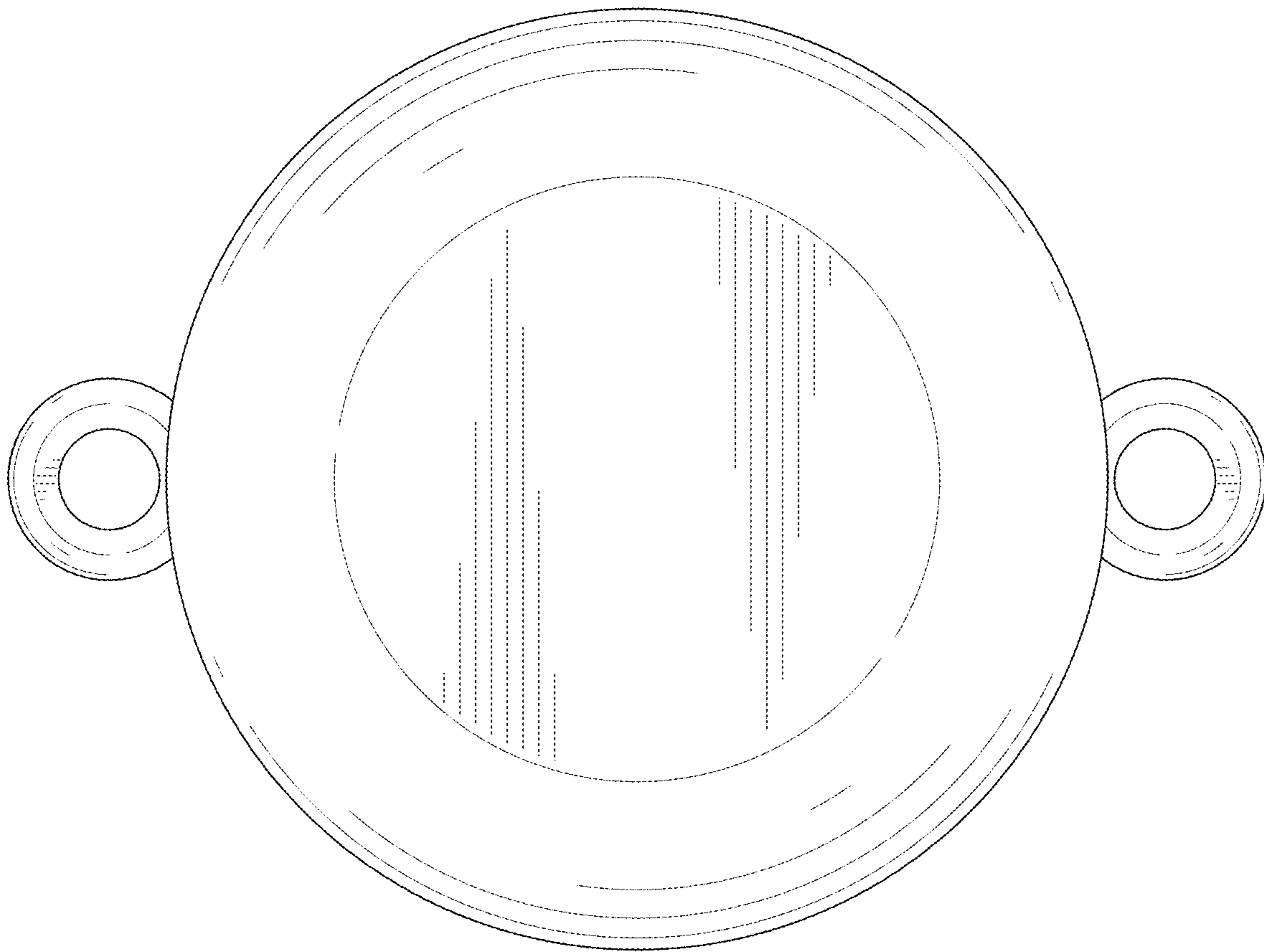


FIG. 8

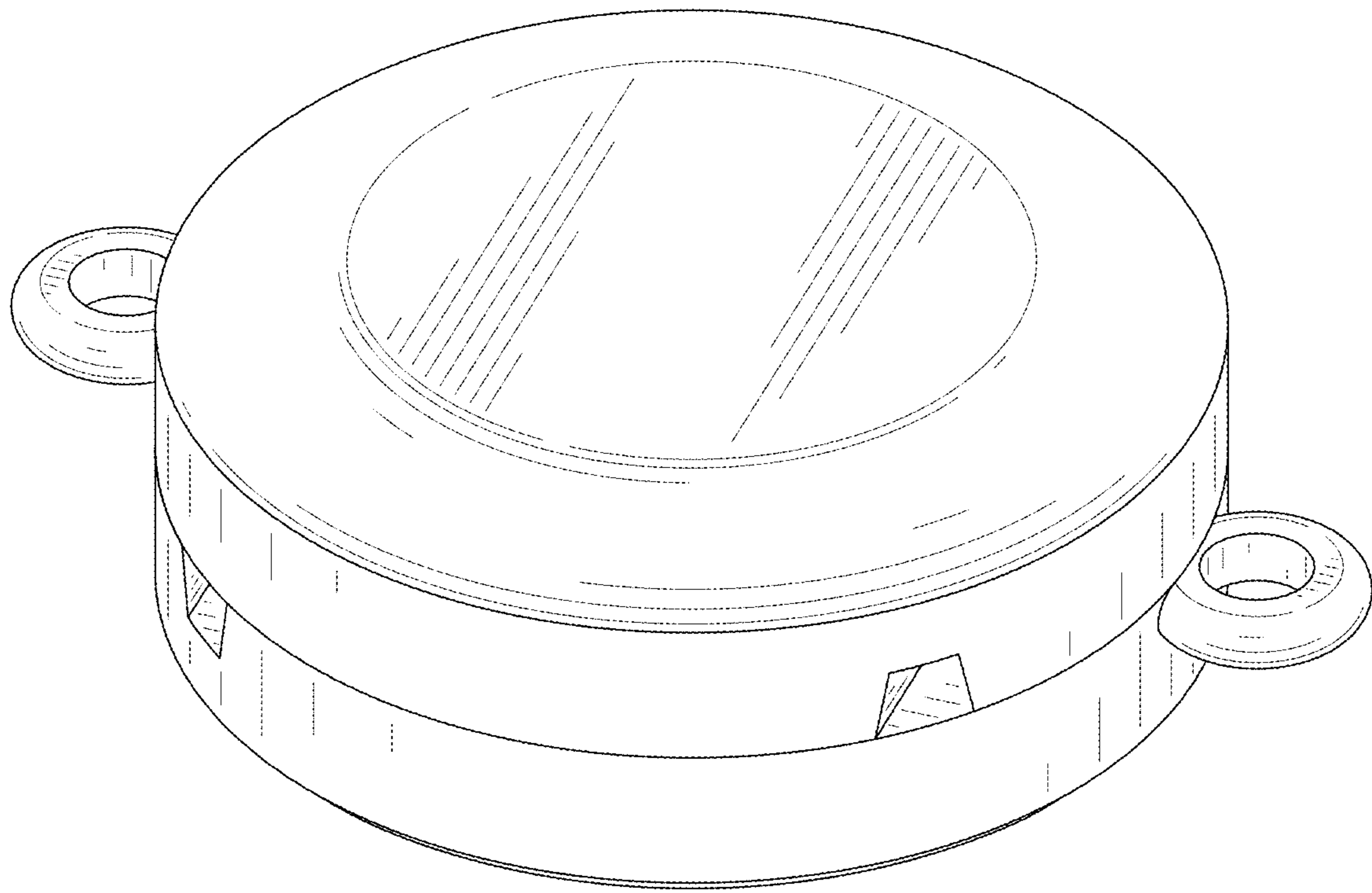


FIG. 9