



US00D972449S

(12) **United States Design Patent**
Lin

(10) **Patent No.:** **US D972,449 S**
(45) **Date of Patent:** **** Dec. 13, 2022**

(54) **SMART PLANTER**

(71) Applicant: **Kaiming Lin**, Guangdong (CN)

(72) Inventor: **Kaiming Lin**, Guangdong (CN)

(**) Term: **15 Years**

(21) Appl. No.: **29/803,507**

(22) Filed: **Aug. 13, 2021**

(51) **LOC (13) Cl.** **11-02**

(52) **U.S. Cl.**

USPC **D11/144**; D26/93; D26/110

(58) **Field of Classification Search**

USPC D11/143, 144, 145; D26/93, 110

CPC F21S 6/00; F21S 6/002; A01G 9/249

See application file for complete search history.

(56) **References Cited**

U.S. PATENT DOCUMENTS

D257,900 S *	1/1981	Scholze	D26/105
D416,102 S *	11/1999	Schulman	D11/144
D604,196 S	11/2009	Bissonnette et al.		
D604,197 S *	11/2009	Bissonnette	D11/144
D713,284 S *	9/2014	Prinster	A01G 31/02 D11/143
D715,182 S	10/2014	Nomura et al.		
D729,115 S *	5/2015	Prinster	D11/144
D760,118 S	6/2016	Lepp et al.		
D765,904 S *	9/2016	Pouzet	D26/110
D838,207 S	1/2019	Paternostre et al.		
D840,076 S *	2/2019	Hart	D11/144
D888,603 S *	6/2020	Tong	D11/144
D899,299 S	10/2020	Craig et al.		
D945,921 S *	3/2022	Chang	D11/144

D951,131 S *	5/2022	Qu	D11/144
D958,440 S *	7/2022	Chen	D26/93
2005/0246955 A1 *	11/2005	Bissonnette	A01C 1/02 47/62 A
2006/0272210 A1 *	12/2006	Bissonnette	A01G 31/02 47/69
2007/0271841 A1 *	11/2007	Bissonnette	A01H 4/001 47/61
2007/0271842 A1 *	11/2007	Bissonnette	A01G 27/003 47/62 N

OTHER PUBLICATIONS

NY Post, This smart planter will make your plants thrive in no time, Publication date Apr. 2, 2022, [site visited Aug. 20, 2022], Available on the Internet URL <https://nypost.com/2022/04/02/this-smart-planter-will-make-your-plants-thrive-in-no-time/> (Year: 2022).*

* cited by examiner

Primary Examiner — S. Bryan Reinholdt, Jr.

(57) **CLAIM**

The ornamental design for a smart planter, as shown.

DESCRIPTION

FIG. 1 is a front elevational view of a smart planter showing my new design;

FIG. 2 is a rear elevational view thereof;

FIG. 3 is a left side view thereof;

FIG. 4 is a right side view thereof;

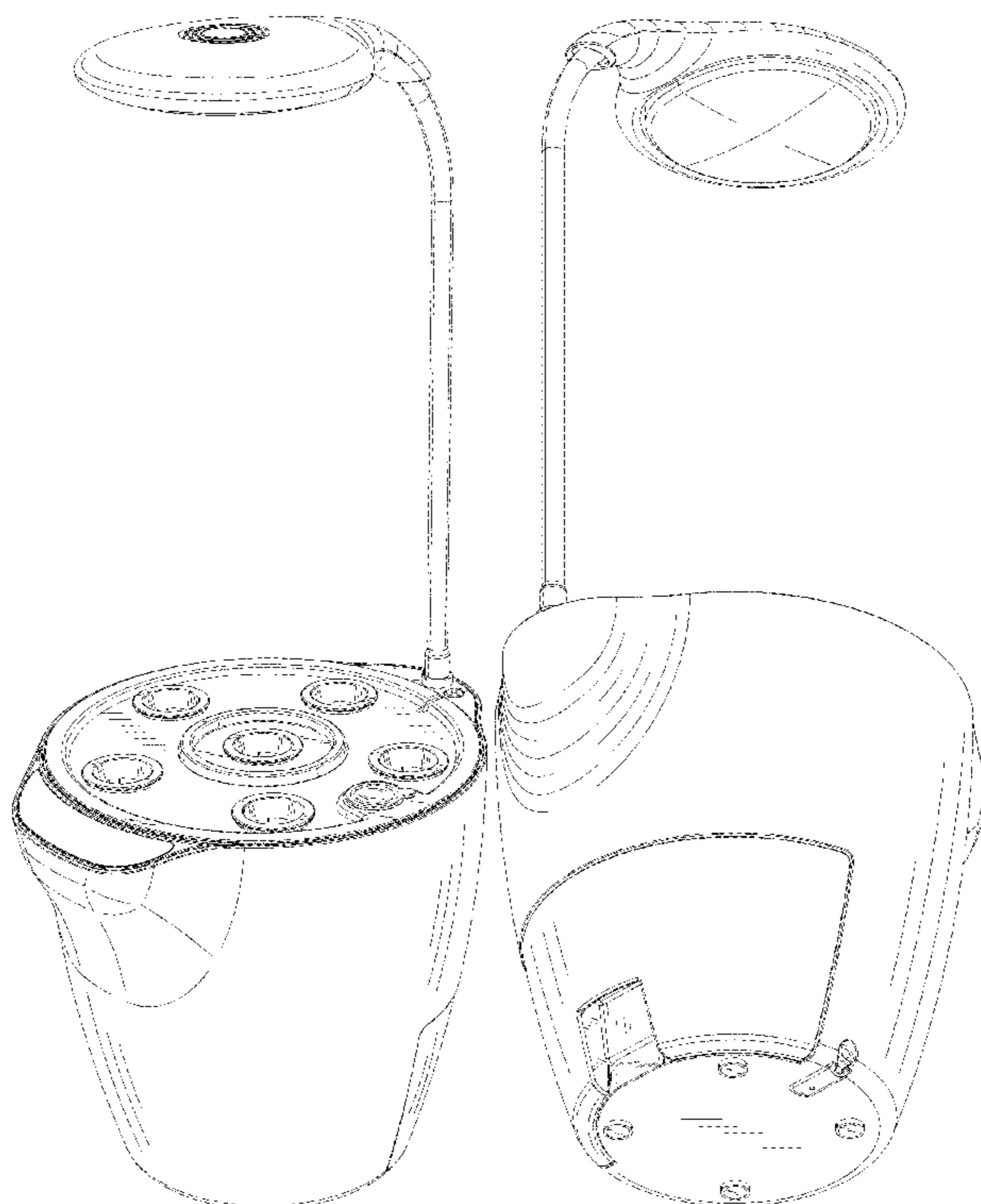
FIG. 5 is a top plan view thereof;

FIG. 6 is a bottom plan view thereof;

FIG. 7 is a perspective view thereof; and,

FIG. 8 is another perspective view thereof.

1 Claim, 7 Drawing Sheets



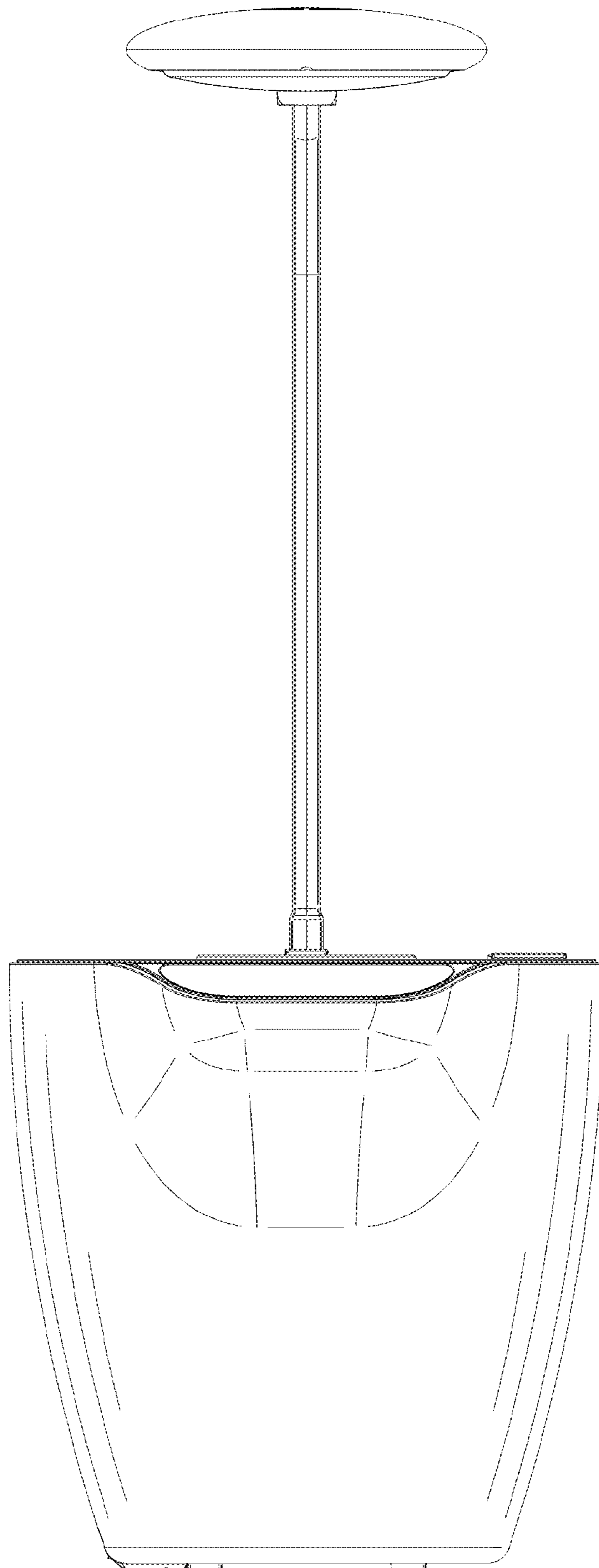


FIG. 1

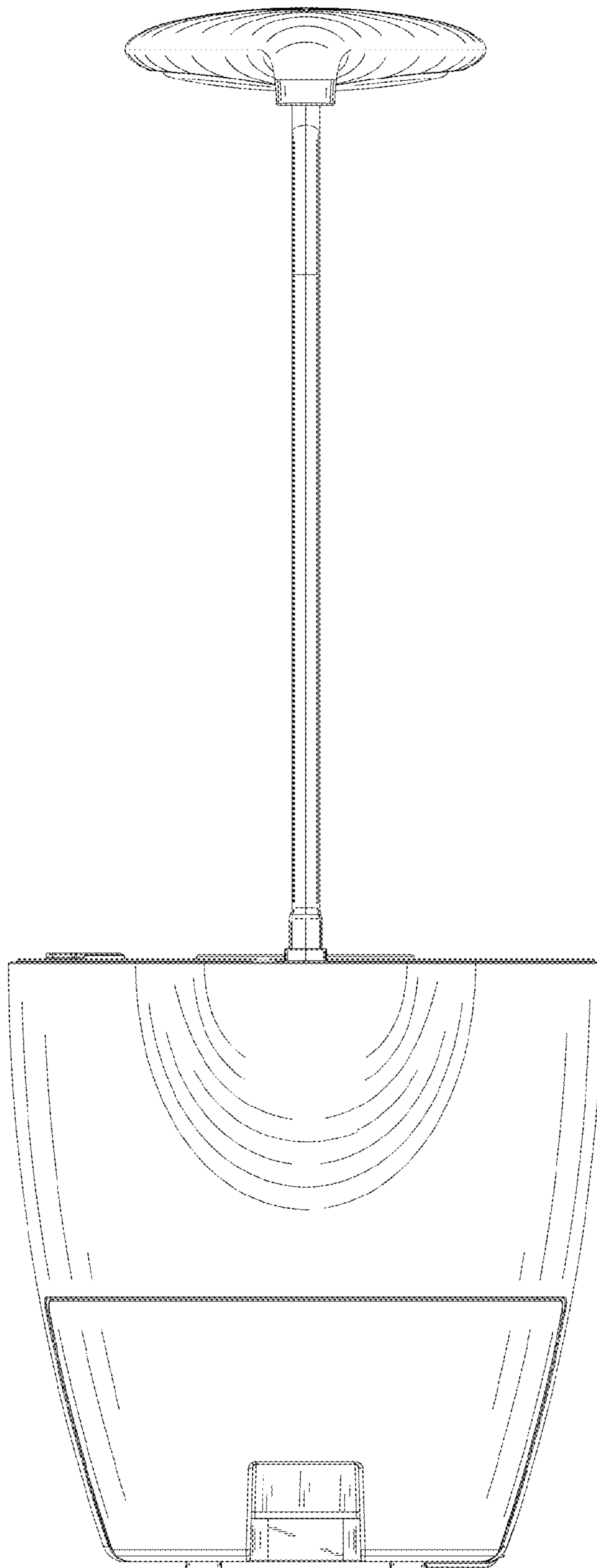


FIG. 2

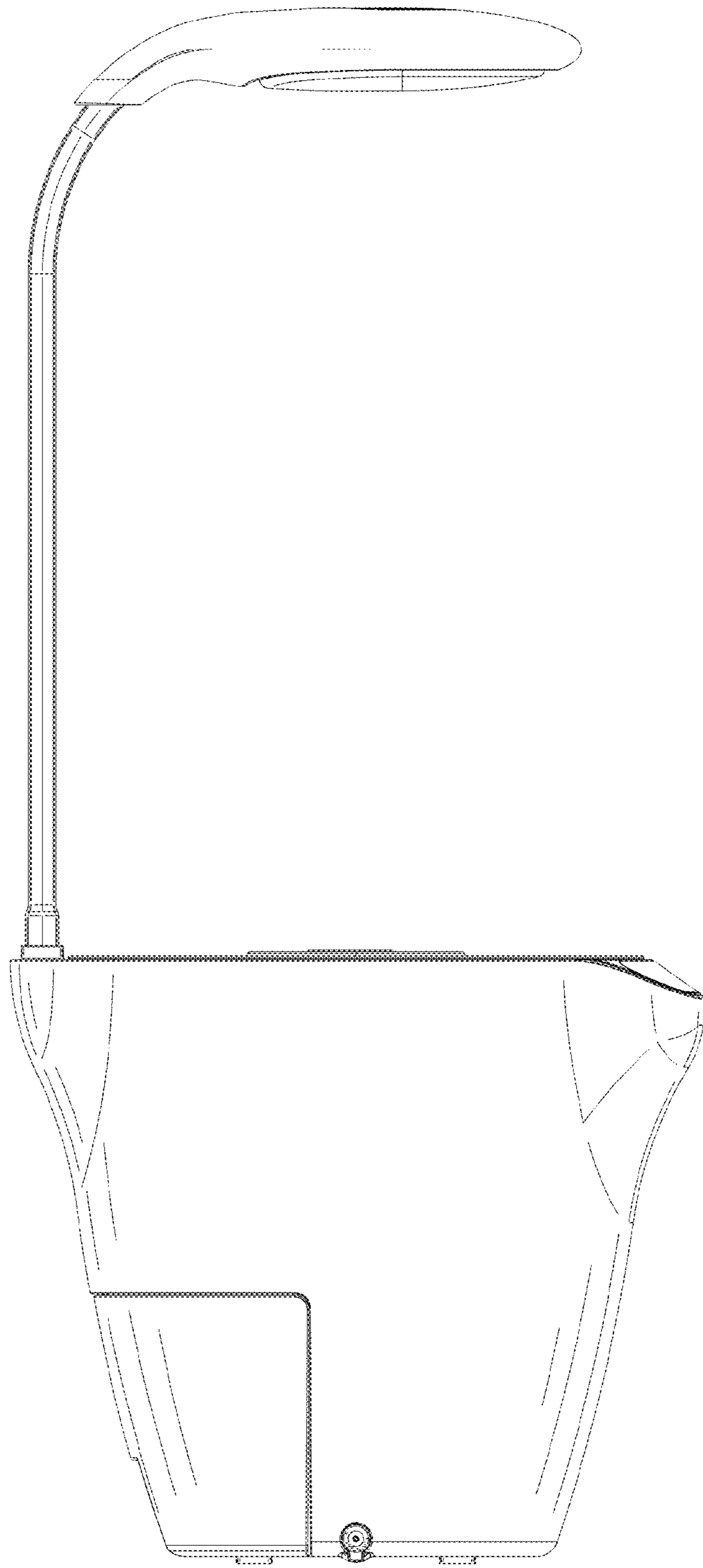


FIG. 3

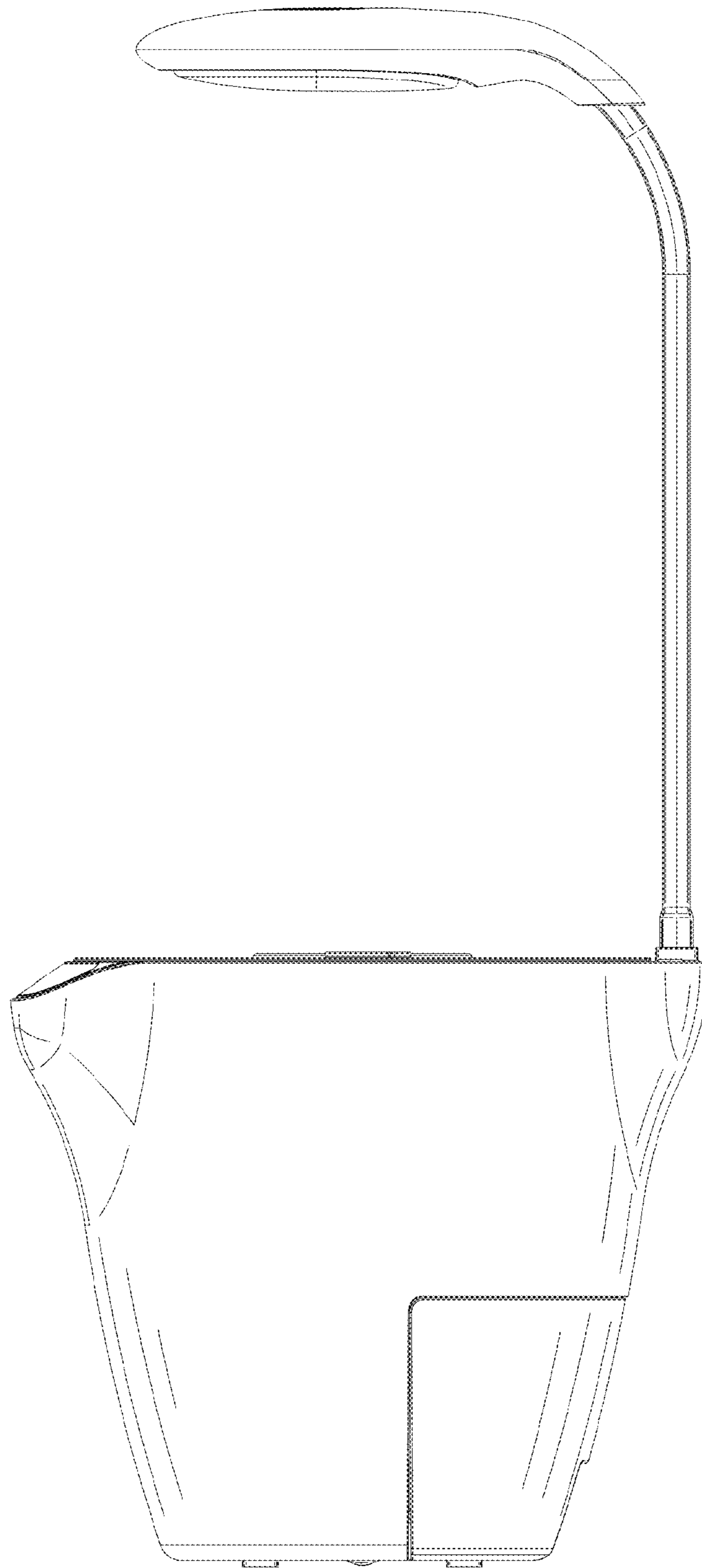


FIG. 4

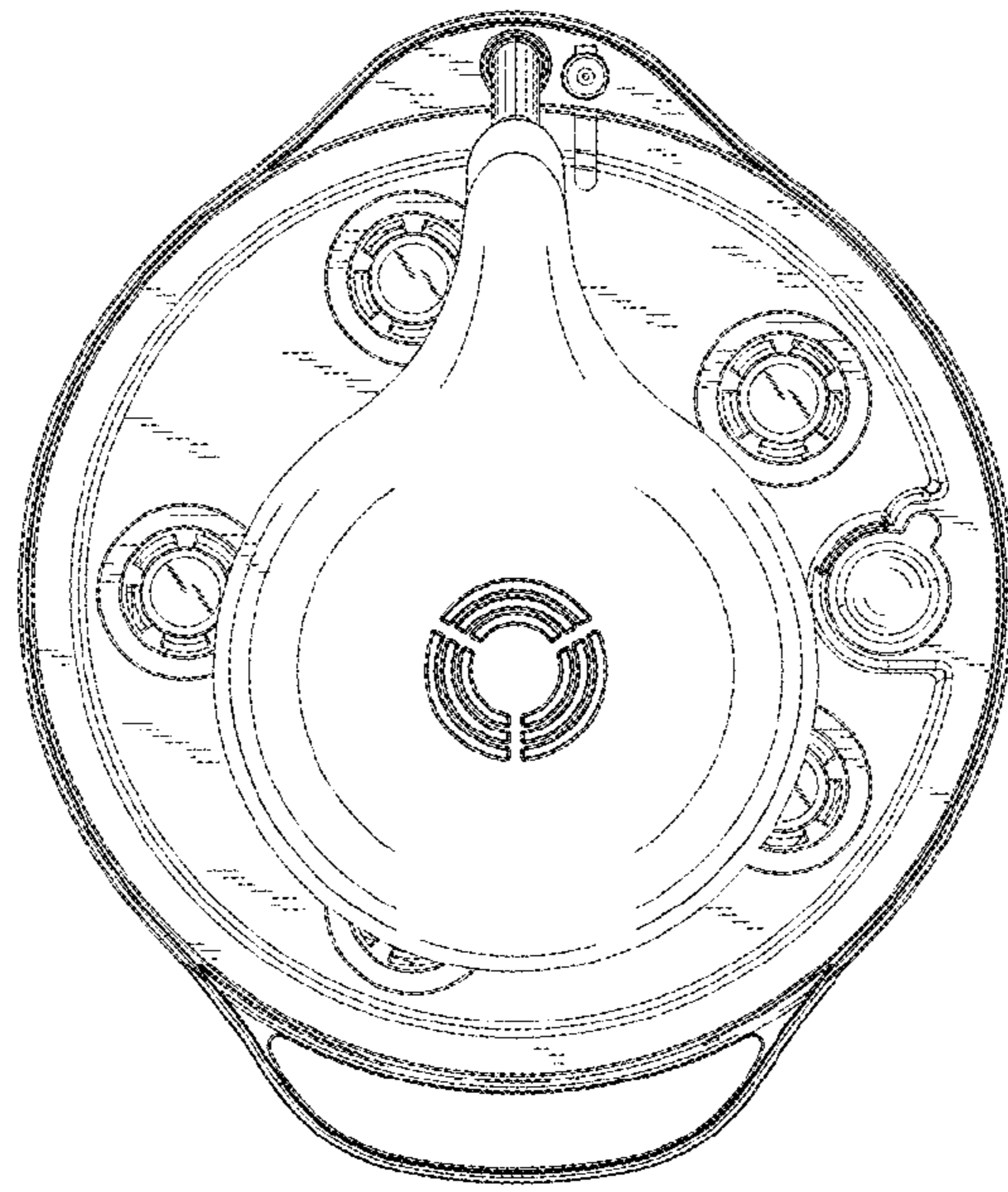


FIG. 5

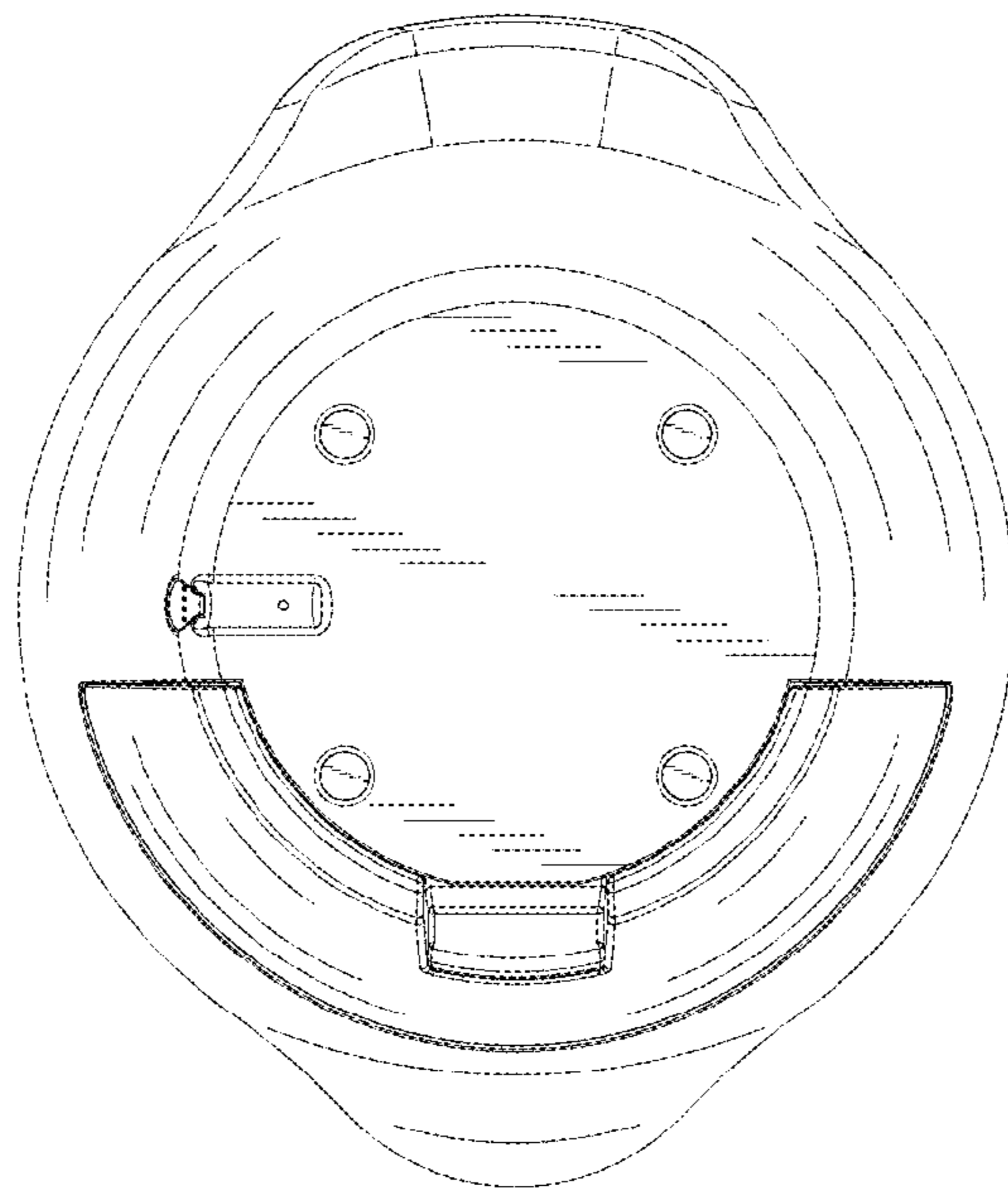


FIG. 6

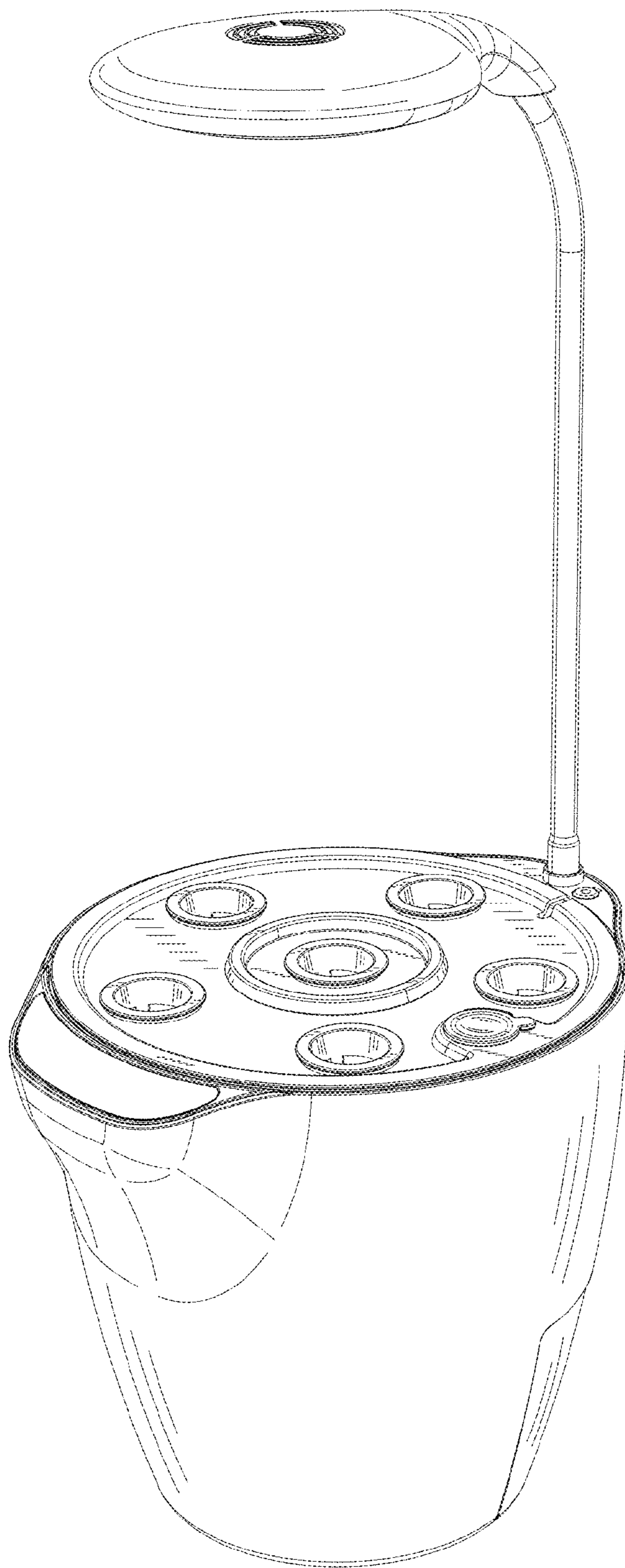


FIG. 7

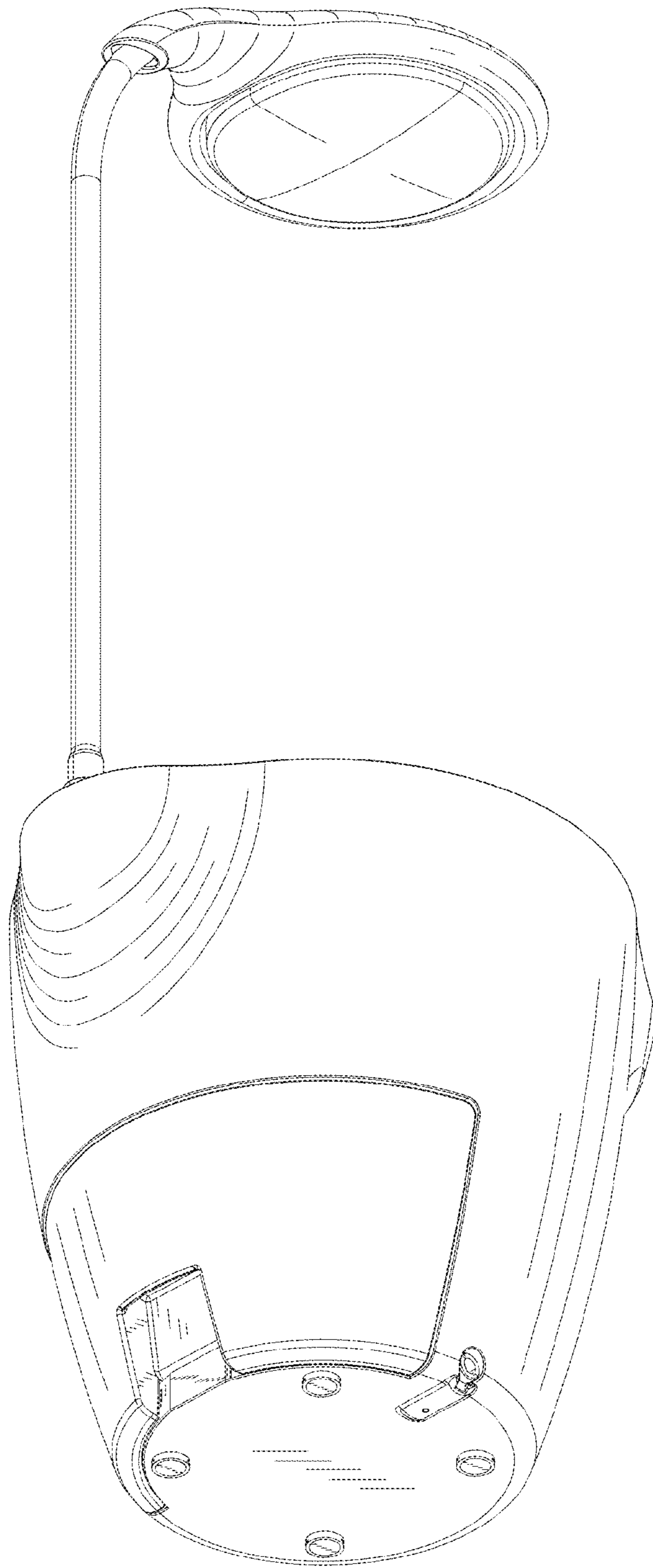


FIG. 8