



US00D972448S

(12) **United States Design Patent**
Fu

(10) **Patent No.:** **US D972,448 S**

(45) **Date of Patent:** **** Dec. 13, 2022**

(54) **BULLET SHAPED EAR CLIP**

FOREIGN PATENT DOCUMENTS

(71) Applicant: **Jinbo Fu**, Jiangxi (CN)

KR 300967884.0000 * 8/2018
KR 300990875.0000 * 1/2019

(72) Inventor: **Jinbo Fu**, Jiangxi (CN)

OTHER PUBLICATIONS

(**) Term: **15 Years**

Regetta [online] URL: <https://www.amazon.com/Screw-Back-Stainless-Regetta-Jewelry/dp/B06VY4SQ31?th=1> (site visited: Sep. 22, 2022) (Year: 2017).*

(21) Appl. No.: **29/836,658**

Maison Miru [online] URL: <https://www.maisonmiru.com/products/tiny-sapphire-ball-back-earrings-in-14k-gold> (site visited: Sep. 22, 2022) (Year: 2021).*

(22) Filed: **Apr. 28, 2022**

(Continued)

(51) **LOC (13) Cl.** **11-01**

(52) **U.S. Cl.**

USPC **D11/88**; D11/89

(58) **Field of Classification Search**

USPC D11/1, 2, 7-12, 16, 26-28, 34-45, 47,
D11/70, 73, 75, 79-92; 62/1.11-14.1, 20,
62/22, 23, 26-33

CPC A44C 7/00; A44C 7/003; A44C 7/004;
A44C 7/005; A44C 7/006; A44C 7/007;
A44C 7/008

See application file for complete search history.

Primary Examiner — Jae Liang

Assistant Examiner — Tia Ruth-Renee Polidori

(74) *Attorney, Agent, or Firm* — ScienBiziP, P.C.

(57) **CLAIM**

The ornamental design for a bullet shaped ear clip, as shown and described.

DESCRIPTION

FIG. 1 is a front, right and top perspective view of a bullet shaped ear clip, showing my design.

FIG. 2 is a rear, left and bottom perspective view thereof.

FIG. 3 is a front elevation view thereof.

FIG. 4 is a rear elevation view thereof.

FIG. 5 is a left side elevation view thereof.

FIG. 6 is a right side elevation view thereof.

FIG. 7 is a top plan view thereof.

FIG. 8 is a bottom plan view thereof.

FIG. 9 is an exploded view thereof; and,

FIG. 10 is a front, right and bottom perspective view thereof, shown with an earring and in a configuration of use for clarity of disclosure.

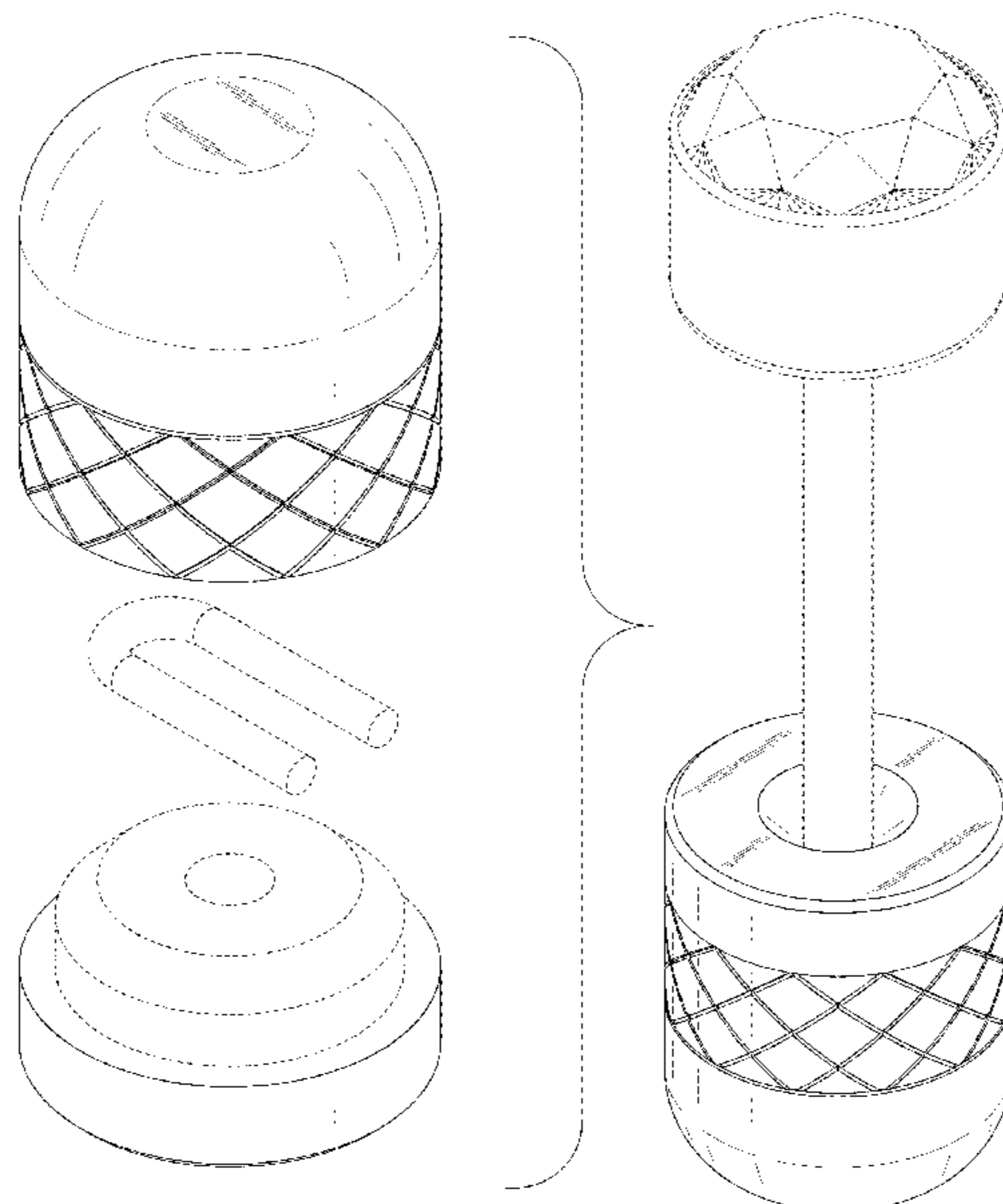
The portions of the bullet shaped ear clip shown in broken line form no part of the claimed design. The broken line showing of the earring in FIG. 10 depicts environment that forms no part of the claimed design.

(56) **References Cited**

U.S. PATENT DOCUMENTS

D130,442 S	*	11/1941	Goodman	D11/87
D497,120 S	*	10/2004	Chia	D11/93
D533,479 S	*	12/2006	Dubnicka	D11/91
D638,738 S	*	5/2011	Gaspard	D11/43
D647,421 S	*	10/2011	Nolan	D11/88
D658,533 S	*	5/2012	Neuner	D11/89
D701,468 S	*	3/2014	Schweiger	D11/89
D707,586 S	*	6/2014	Schweiger	D11/89
D808,293 S	*	1/2018	Lenzmeier	D11/81
D933,517 S	*	10/2021	Bernardi	D11/86
D934,731 S	*	11/2021	Bernardi	D11/86
D942,307 S		2/2022	Yatsugi-Kang		
D949,042 S		4/2022	Yamada		

1 Claim, 10 Drawing Sheets



(56)

References Cited

OTHER PUBLICATIONS

AliExpress [online] URL: <https://www.aliexpress.com/item/3256803470718551.html?gatewayAdapt=4itemAdapt> (site visited: Sep. 22, 2022) (Year: 2022).*

Cherished Moments [online] URL: <https://cherishedmomentsshop.com/collections/sterling-silver-stud-earrings/products/screw-back-replacements> (site visited: Sep. 22, 2022) (Year: 2022).*

Dotoly [online] URL: <https://www.animal-jewelry.com/products/fake-gauge-earrings-bullet-shaped-faux-plug-stud-earrings-in-shiny-gold> (site visited: Sep. 22, 2022) (Year: 2022).*

Etsy [online] URL: <https://www.etsy.com/listing/1108264054/14k-yellow-gold-and-silicone-earring> (site visited: Sep. 22, 2022) (Year: 2022).*

Kendra Scott [online] URL: <https://www.kendrascott.com/fine-jewelry/fine-hook-backs-in-14k-yellow-gold/842177052457.html> (site visited: Sep. 22, 2022) (Year: 2022).*

* cited by examiner

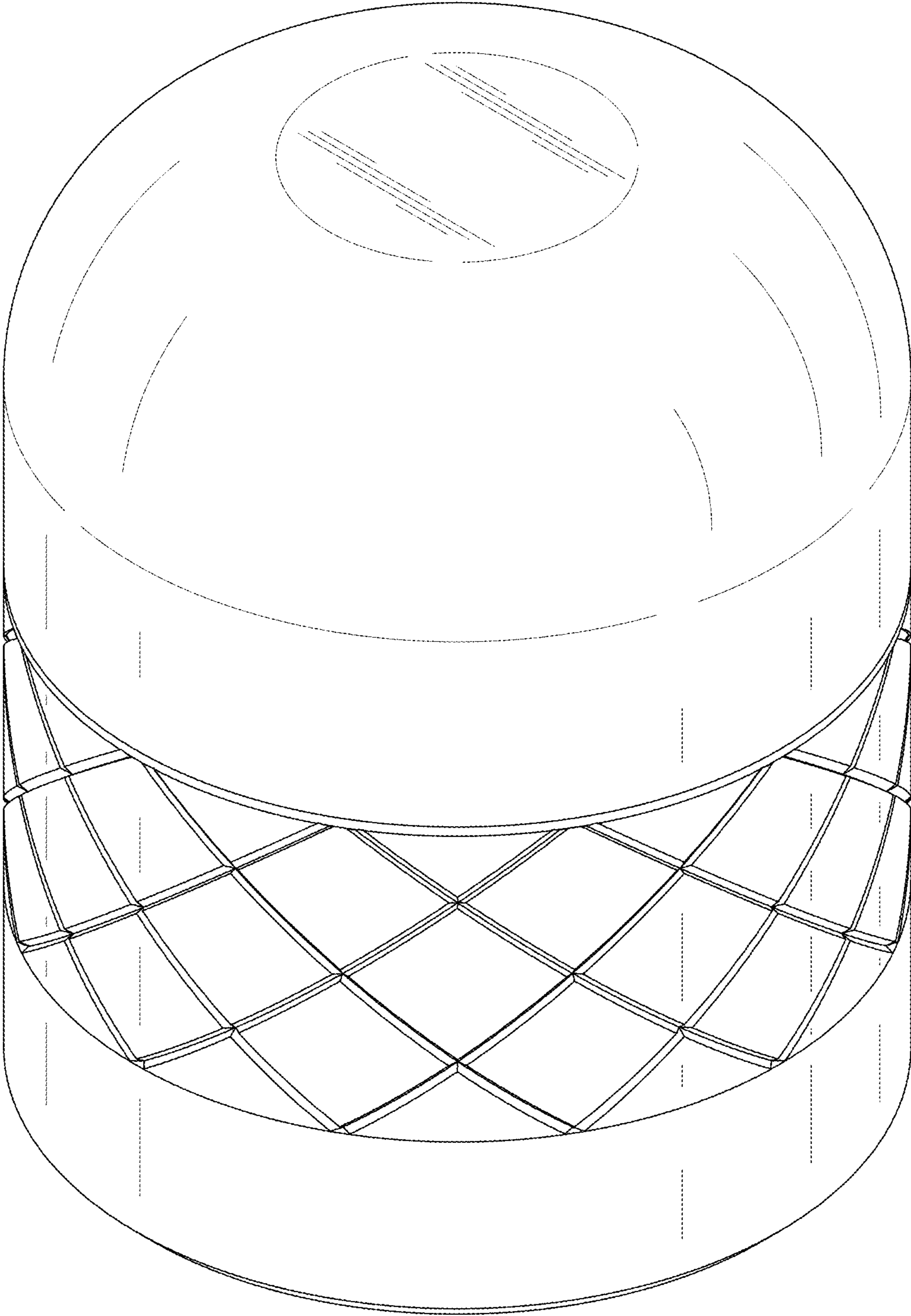


FIG. 1

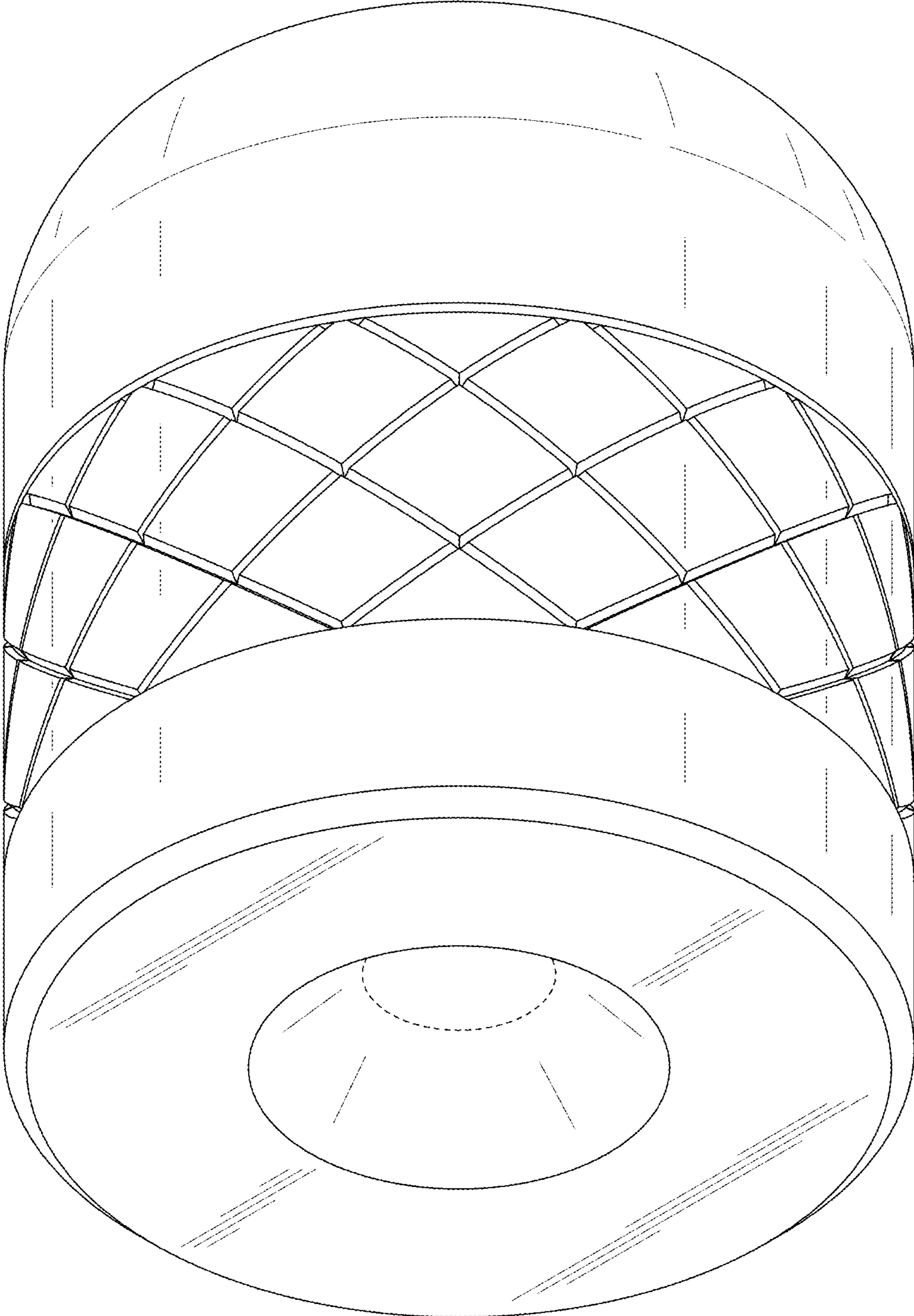


FIG. 2

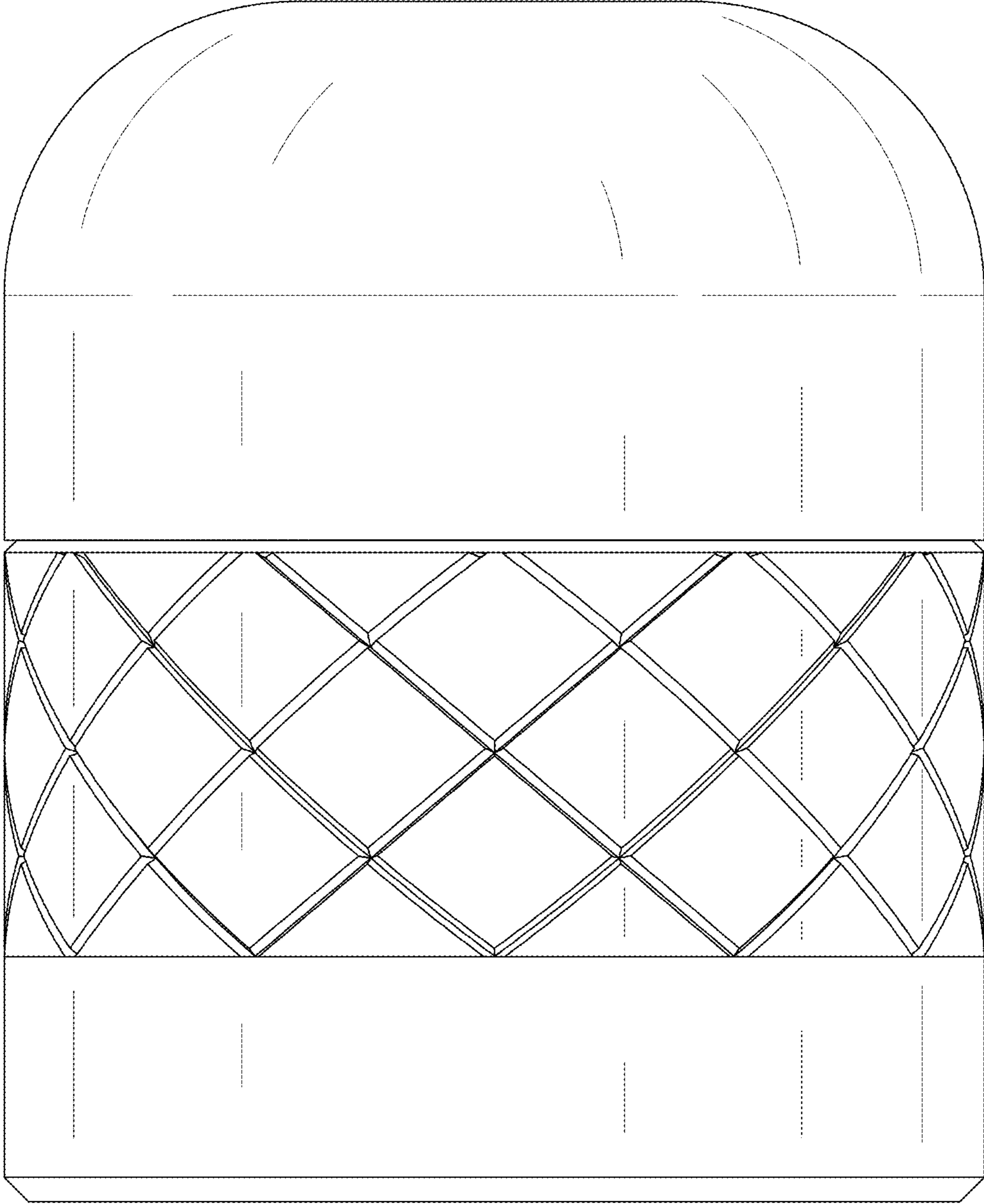


FIG. 3

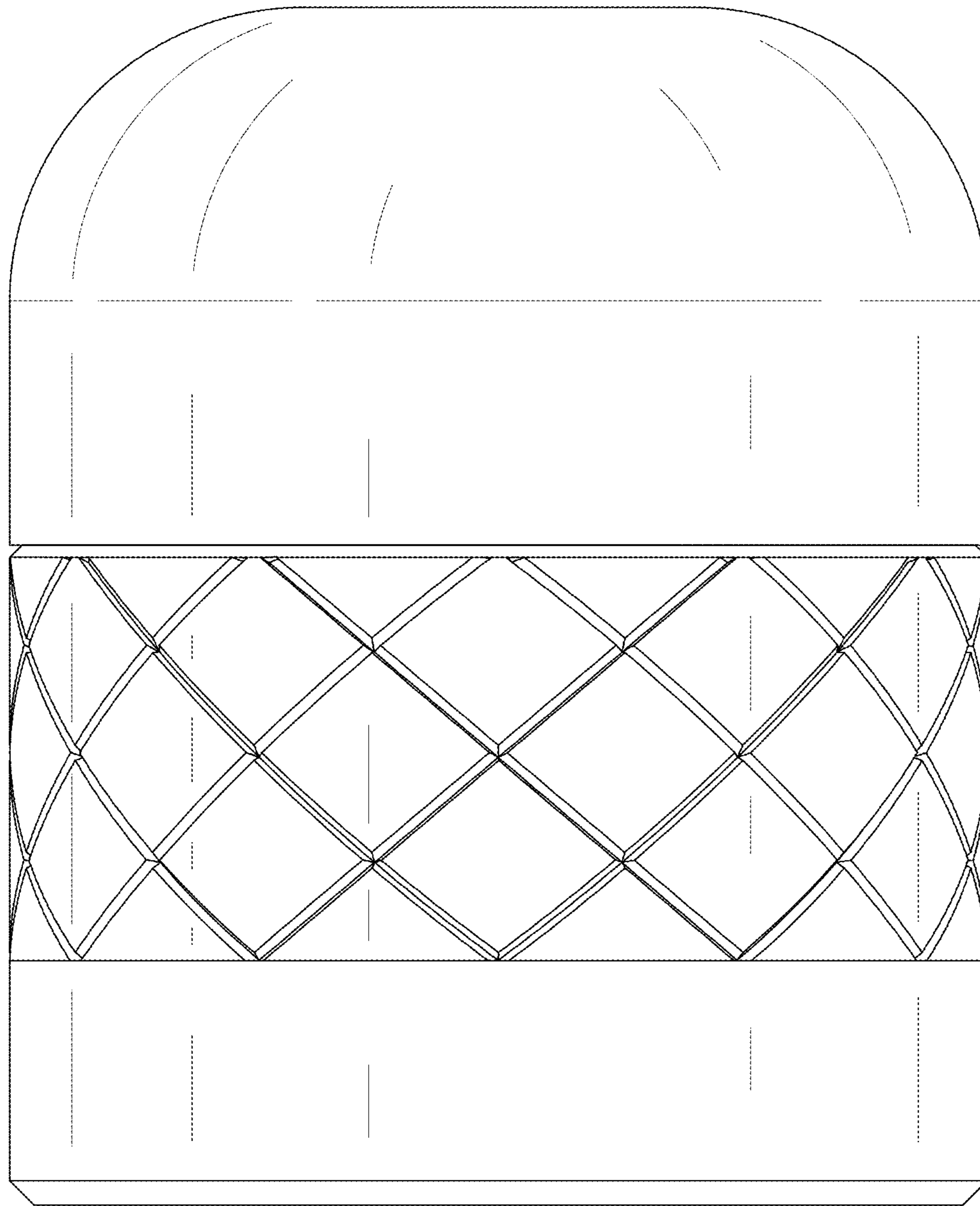


FIG. 4

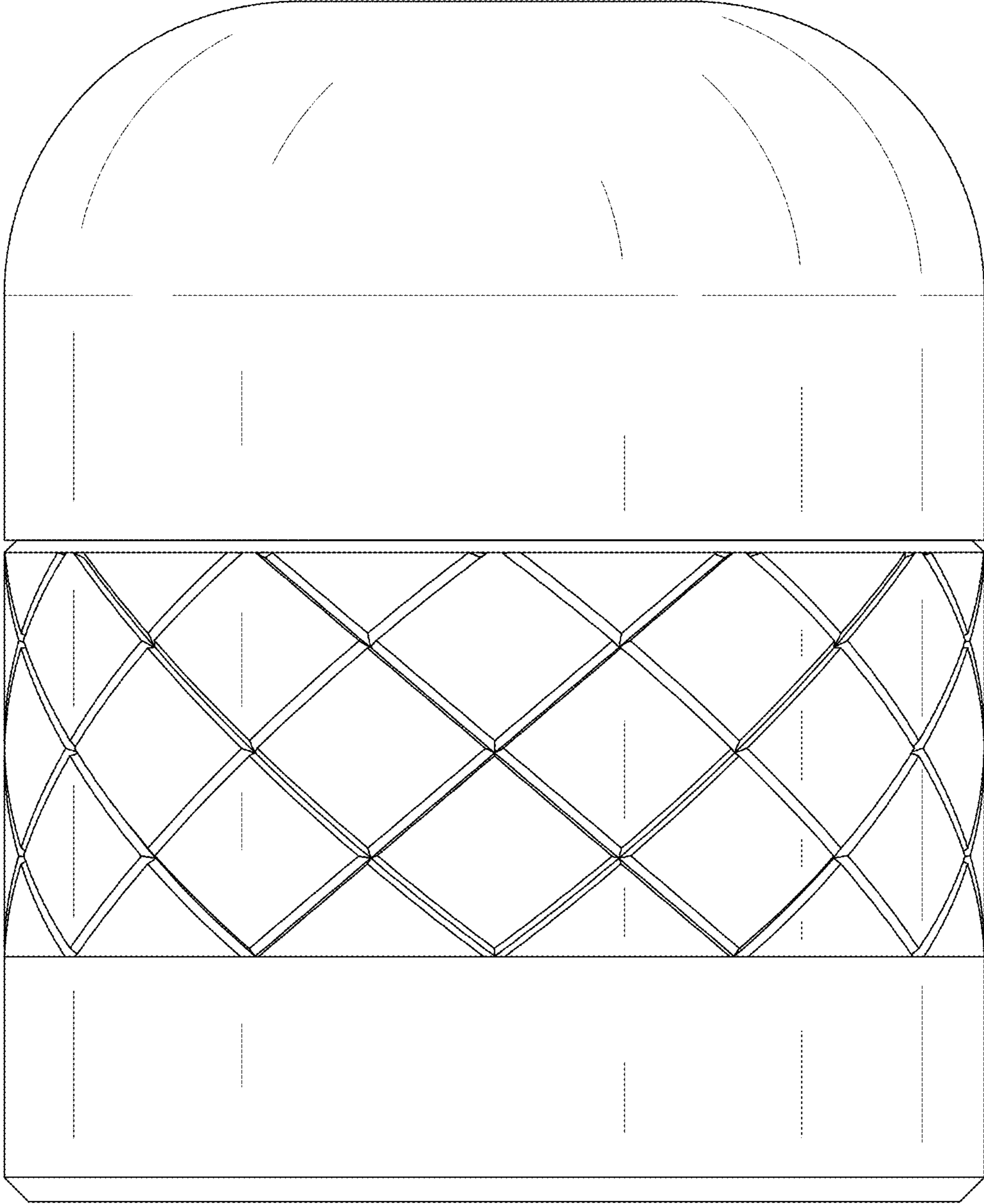


FIG. 5

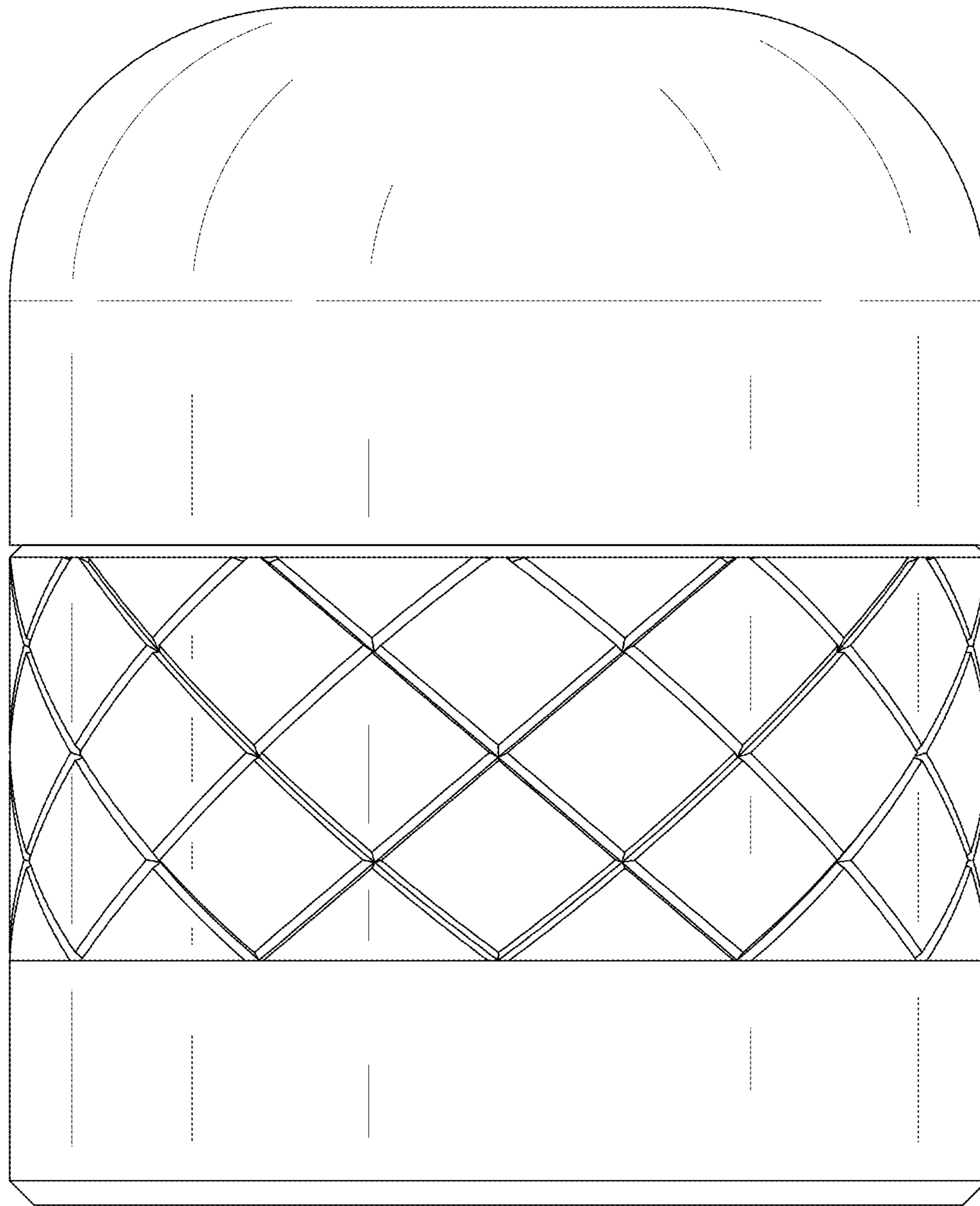


FIG. 6

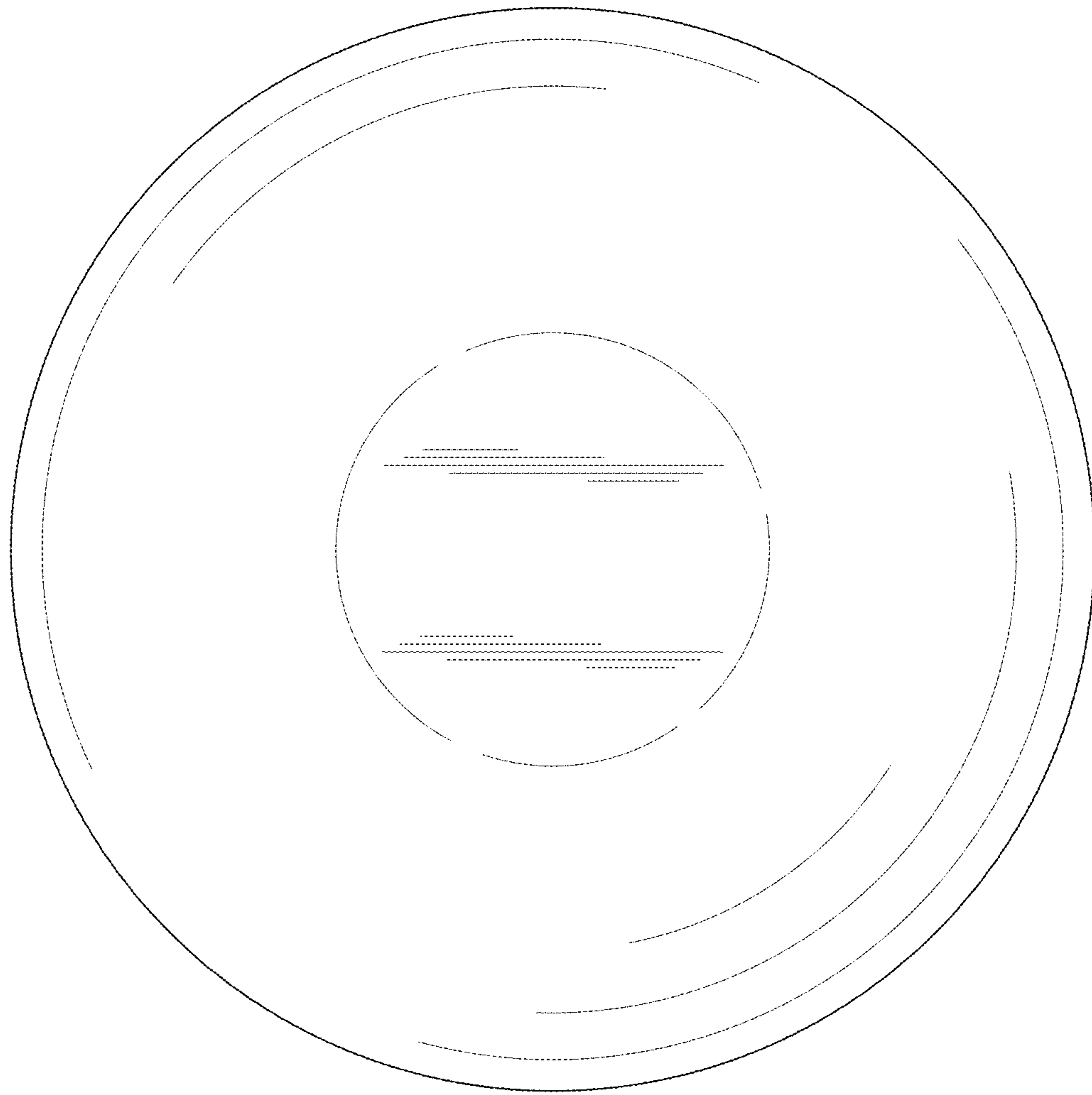


FIG. 7

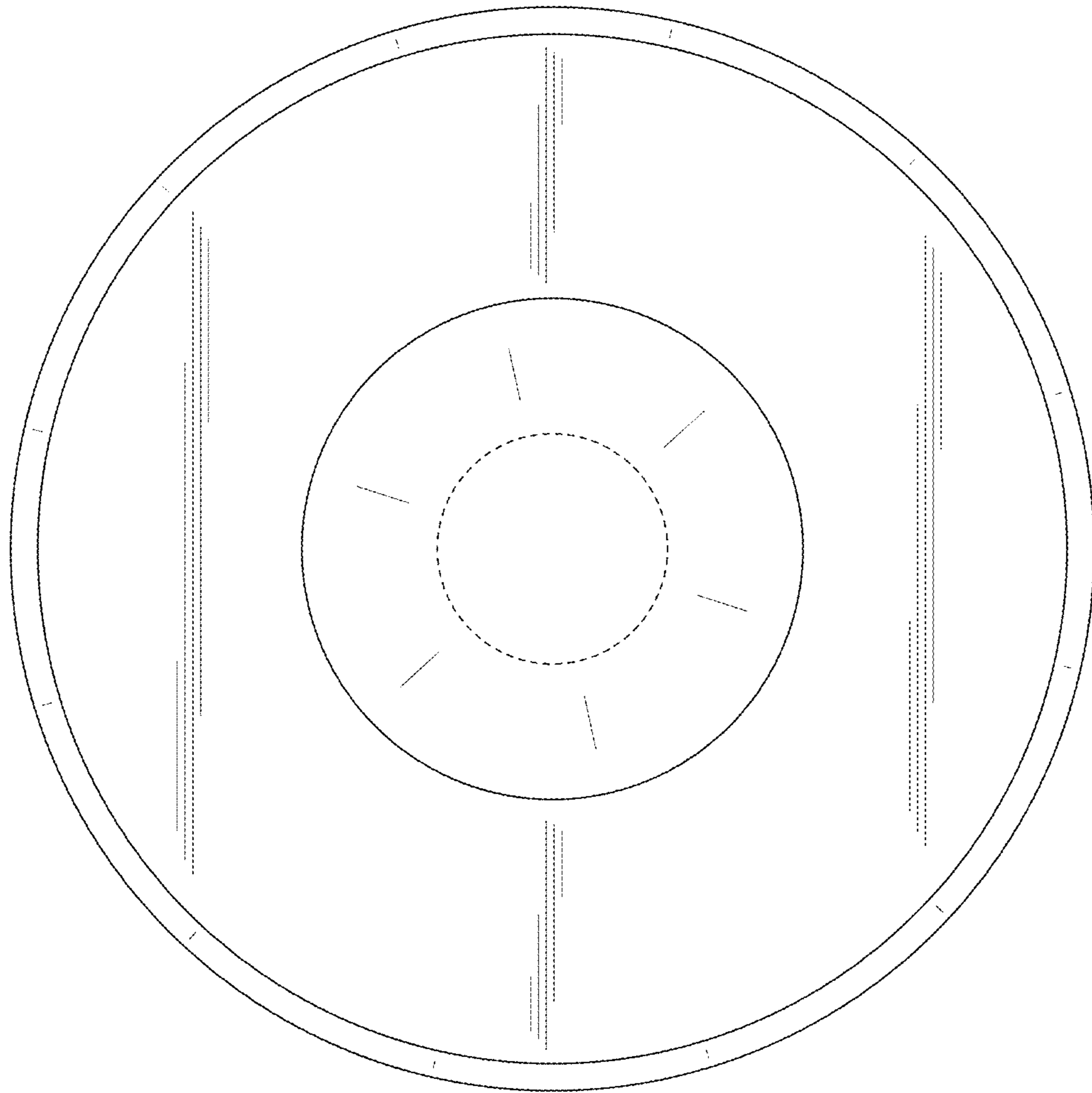


FIG. 8

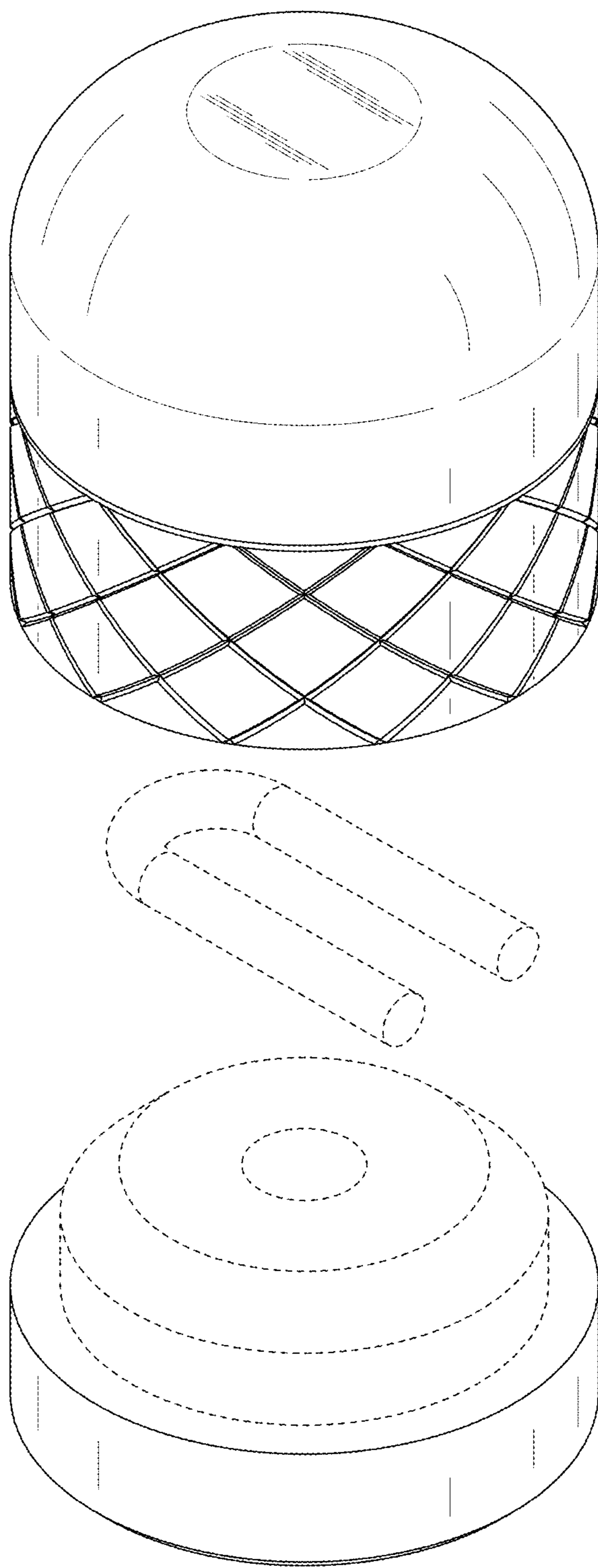


FIG. 9

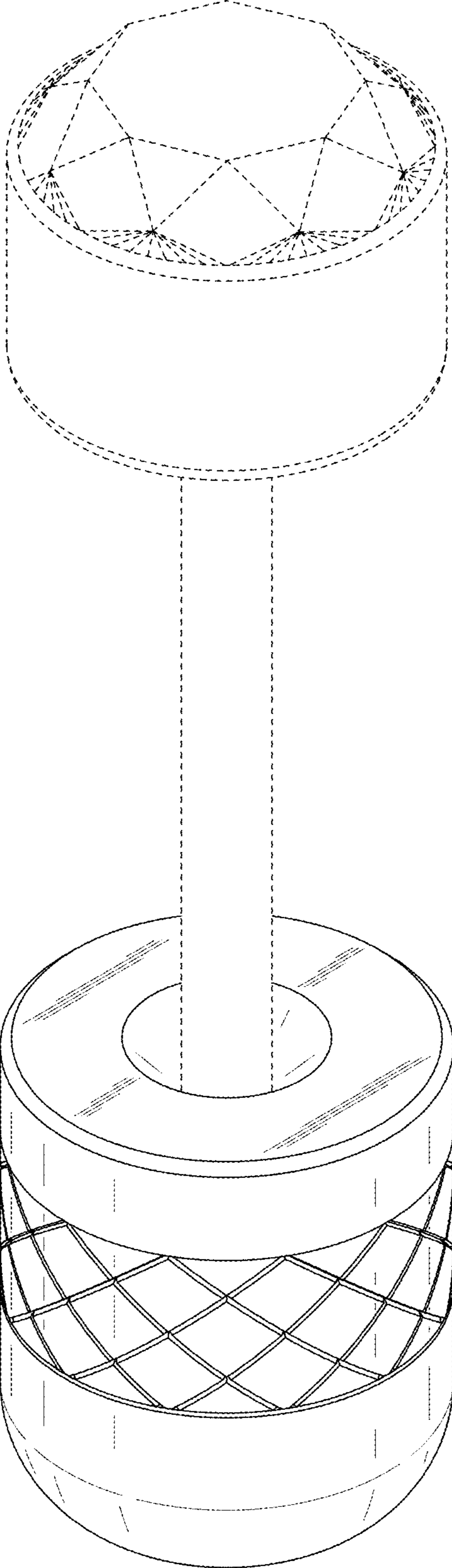


FIG. 10