



US00D972447S

(12) **United States Design Patent** (10) **Patent No.:** **US D972,447 S**
Aqel (45) **Date of Patent:** **** Dec. 13, 2022**

(54) **RING**

(71) Applicant: **Fadi Aqel**, Burbank, IL (US)

(72) Inventor: **Fadi Aqel**, Burbank, IL (US)

(**) Term: **15 Years**

(21) Appl. No.: **29/752,636**

(22) Filed: **Sep. 28, 2020**

(51) **LOC (13) Cl.** **11-01**

(52) **U.S. Cl.**

USPC **D11/35; D14/344**

(58) **Field of Classification Search**

USPC **D11/26-29, 30-35; D14/344**

CPC **A44C 9/00**

See application file for complete search history.

(56) **References Cited**

U.S. PATENT DOCUMENTS

D55,893 S *	7/1920	Simmons	D11/35
D60,457 S *	2/1922	Klein	D11/35
D61,921 S *	2/1923	Peters	D11/35
D64,332 S *	4/1924	Anshen	D11/35
D68,932 S *	12/1925	Robbins	D11/34
D68,933 S *	12/1925	Robbins	D11/34
D77,358 S *	1/1929	Herzog et al.	D11/35
D142,234 S *	8/1945	Sudbrink	D11/26
D317,421 S *	6/1991	Meyrowitz	D11/35
D402,912 S *	12/1998	Itzkowitz	D11/34
D437,564 S *	2/2001	Versace	D11/26
D446,470 S *	8/2001	Itzkowitz	D11/26

FOREIGN PATENT DOCUMENTS

CN	306248259	*	12/2020
CN	306278122	*	1/2021
KR	301107201.0000	*	4/2021

OTHER PUBLICATIONS

Hexagon Ring in 18k Gold with a Citrine pp. 1-9 2022 https://www.tiffany.com/jewelry/rings/palomas-studio-hexagon-ring-GRP11573/palomas-studio-hexagon-ring-67944763/?utm_source=google&utm_medium=organic&utm_campaign=surfaces (Year: 2022).*
Hexagonal Fancy-Cut Citrine Solitaire Ring pp. 1-6 2021 <https://www.angara.com/p/hexagonal-fancy-cut-citrine-solitaire-ring-fc-sr2804ct?> (Year: 2021).*

* cited by examiner

Primary Examiner — Kevin K Rudzinski

Assistant Examiner — Evans David Delesline

(74) *Attorney, Agent, or Firm* — The Law Offices of Konrad Sherinian, LLC; Depeng Bi

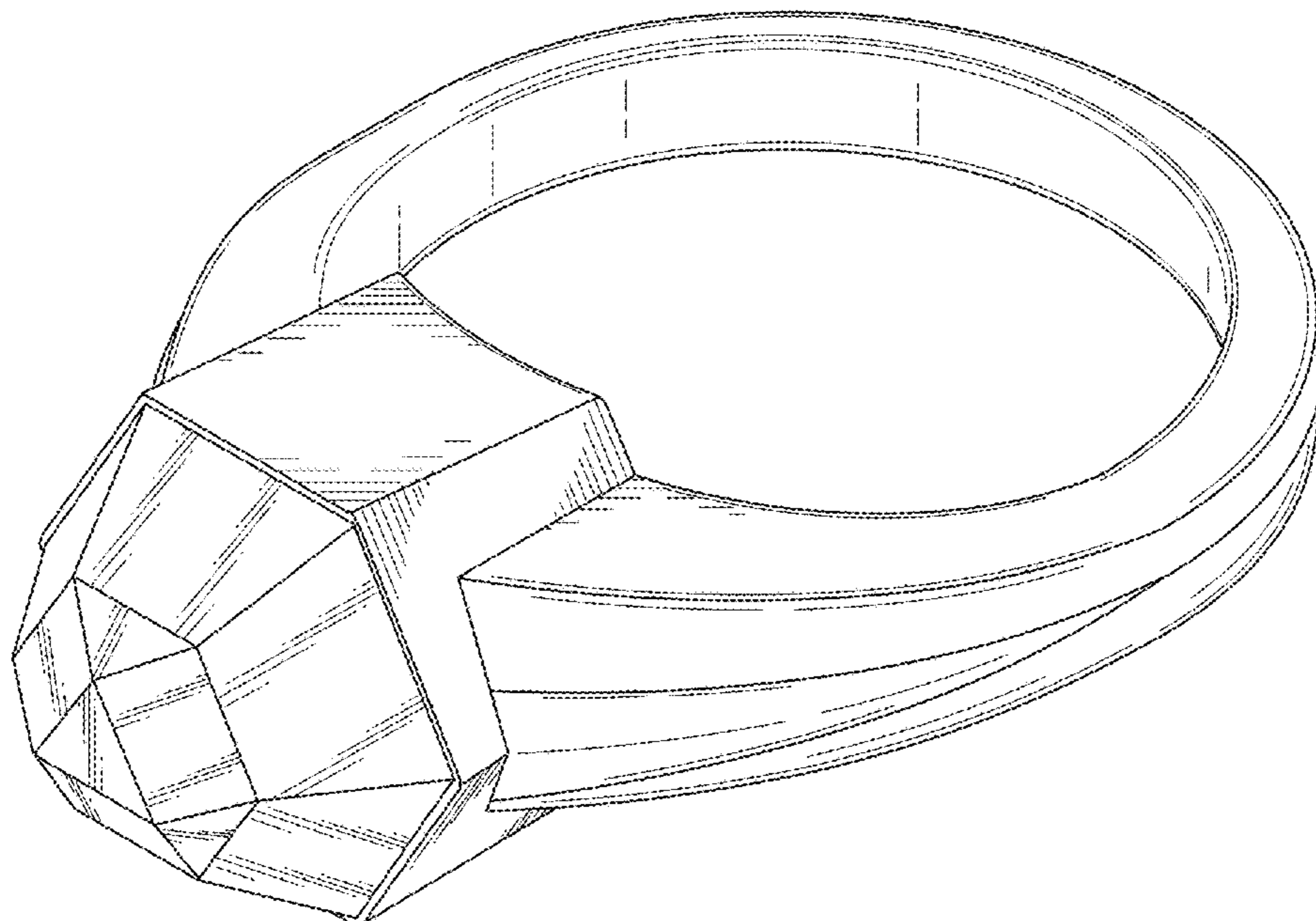
(57) **CLAIM**

The ornamental design for a ring, as shown and described.

DESCRIPTION

FIG. 1 is a front perspective view of a ring;
FIG. 2 is a top view thereof;
FIG. 3 is a bottom view thereof;
FIG. 4 is a left side view thereof;
FIG. 5 is a right side view thereof;
FIG. 6 is a front side view thereof;
FIG. 7 is a rear side view thereof;
FIG. 8 is a front perspective view of another embodiment of a ring;
FIG. 9 is a top view thereof;
FIG. 10 is a bottom view thereof;
FIG. 11 is a left side view thereof;
FIG. 12 is a right side view thereof;
FIG. 13 is a front side view thereof; and,
FIG. 14 is a rear side view thereof.

1 Claim, 8 Drawing Sheets



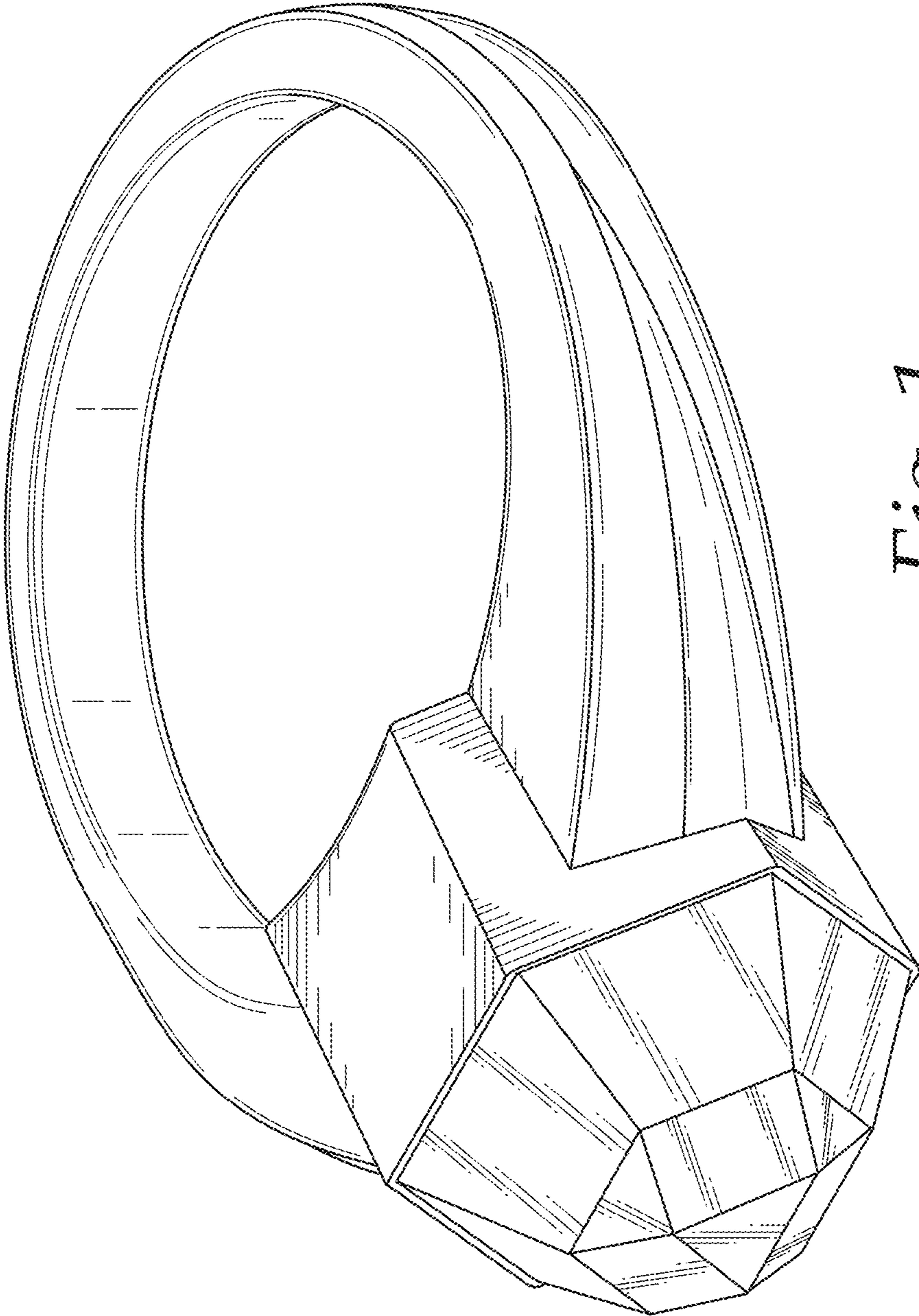


Fig. 1

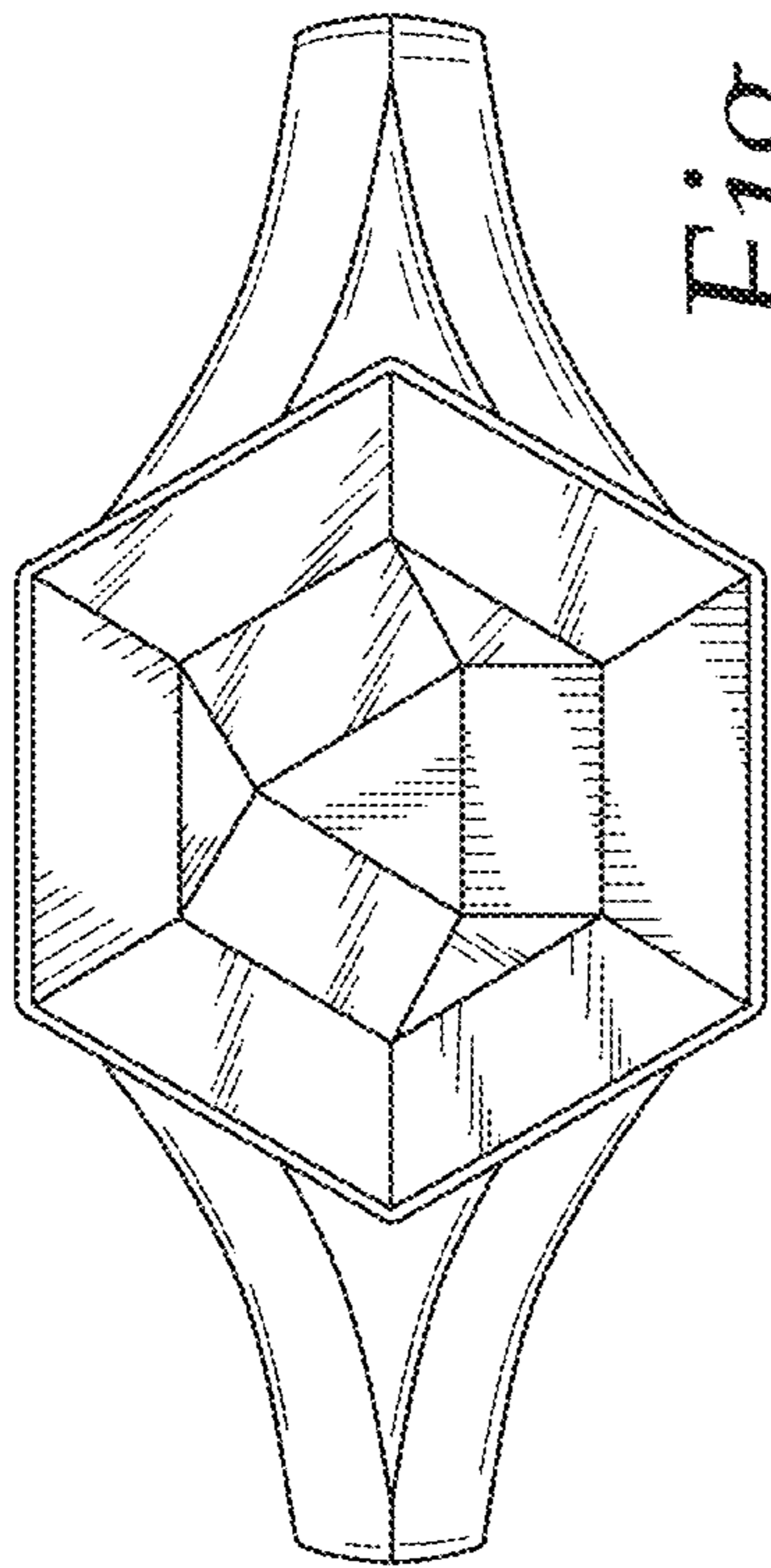


Fig. 2

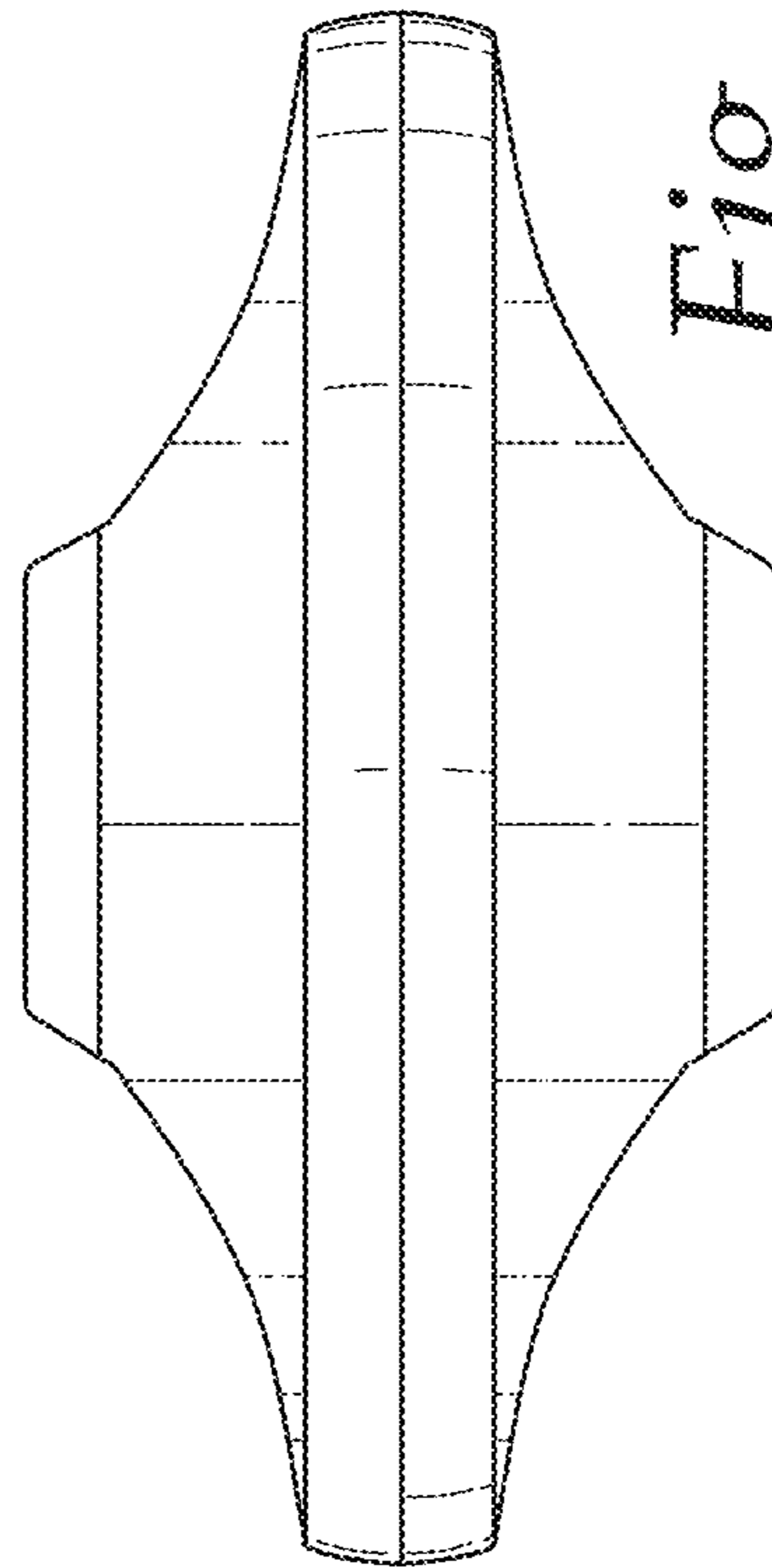


Fig. 3

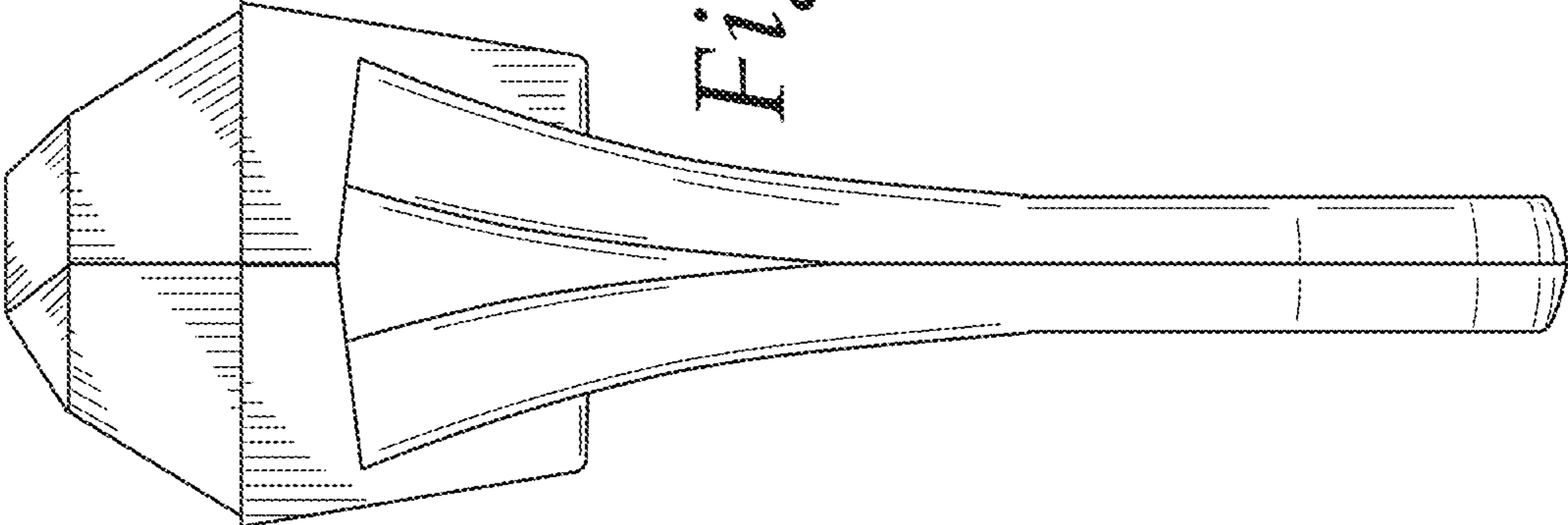


Fig. 5

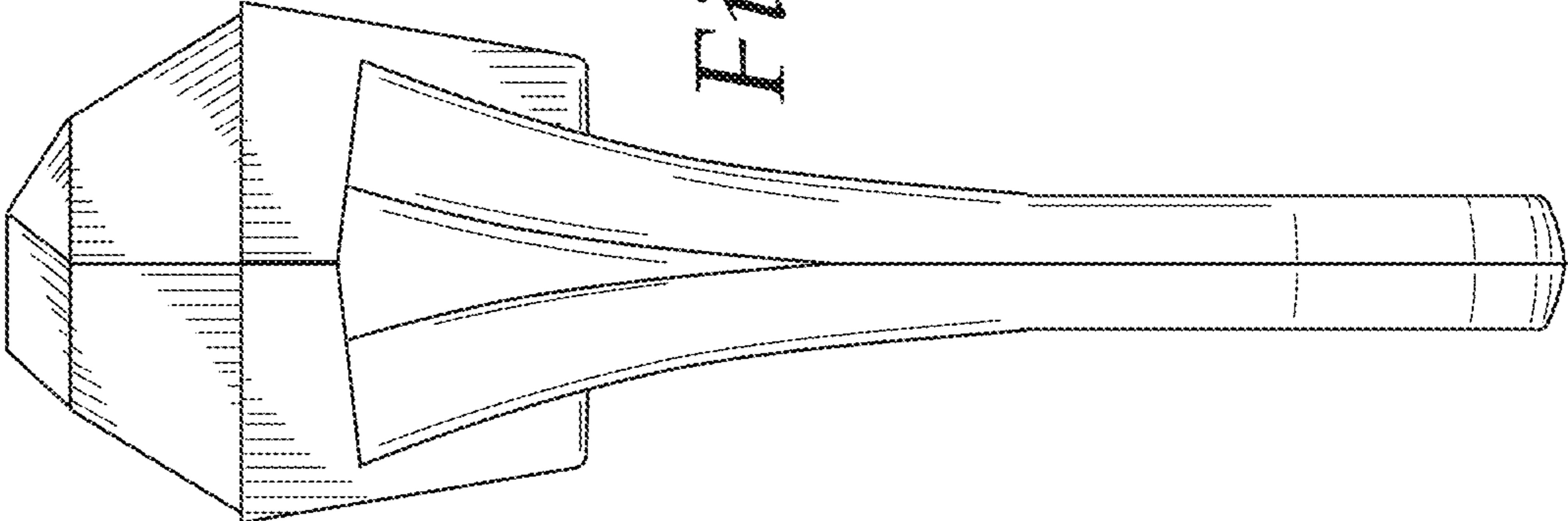


Fig. 4

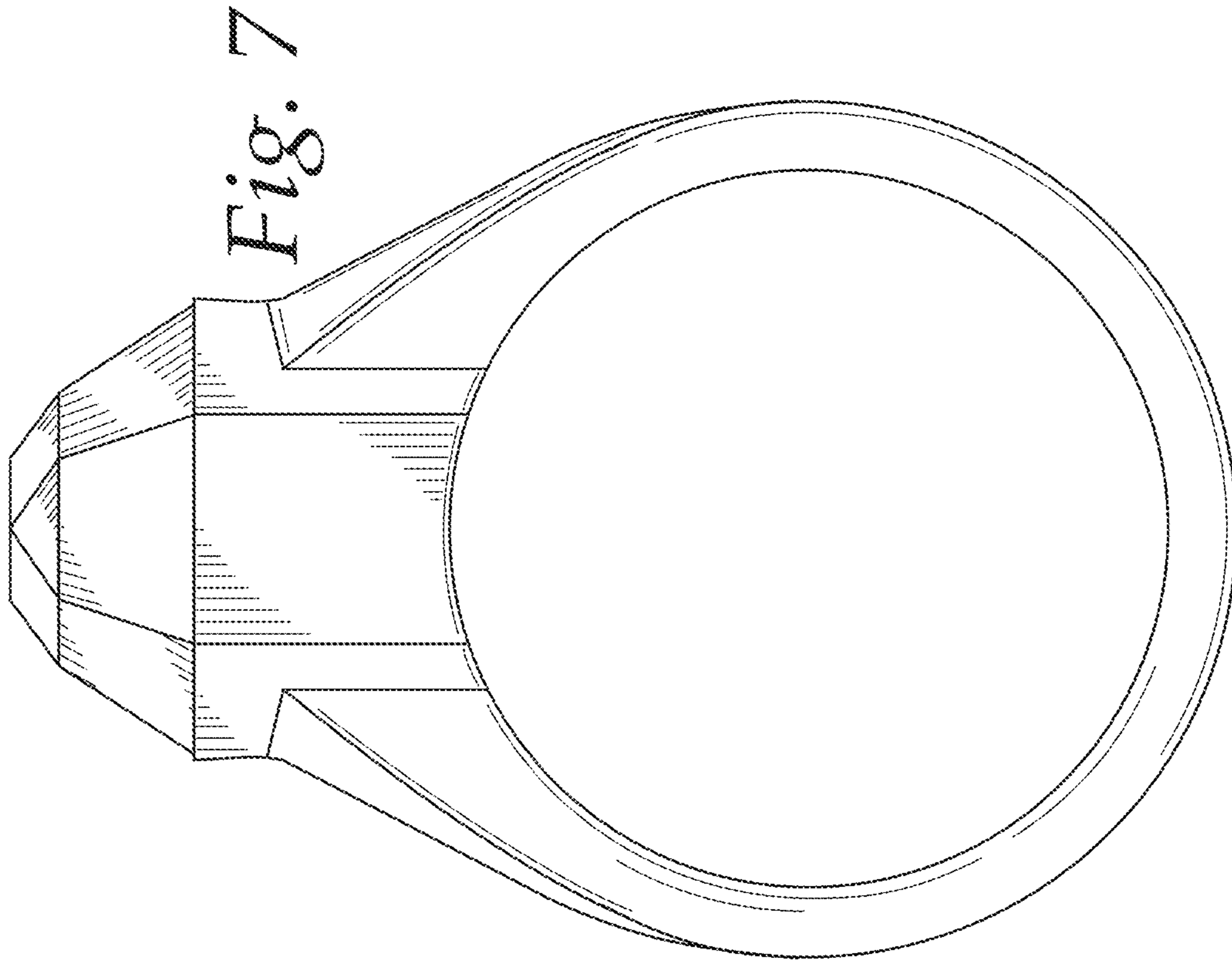


Fig. 7

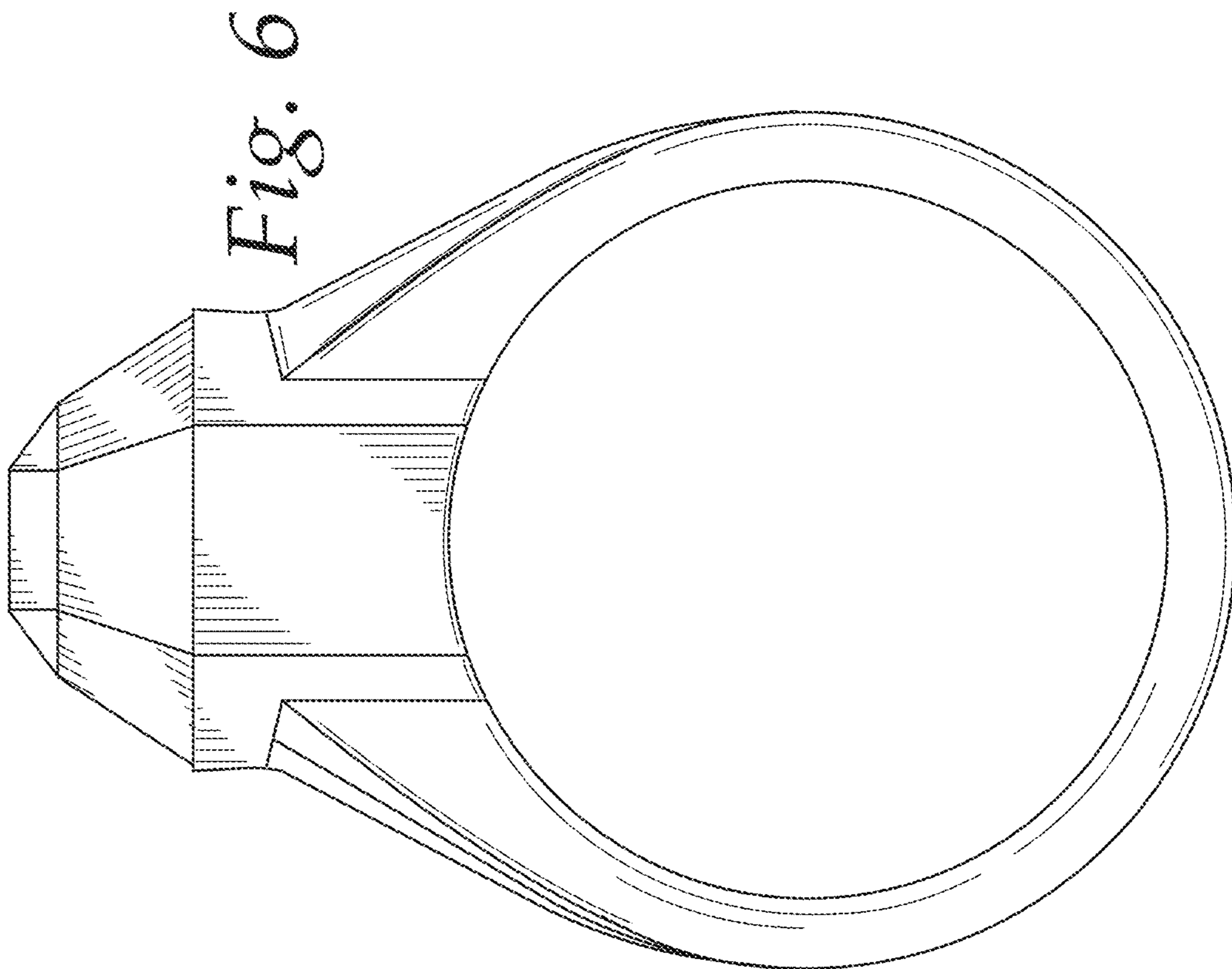


Fig. 6

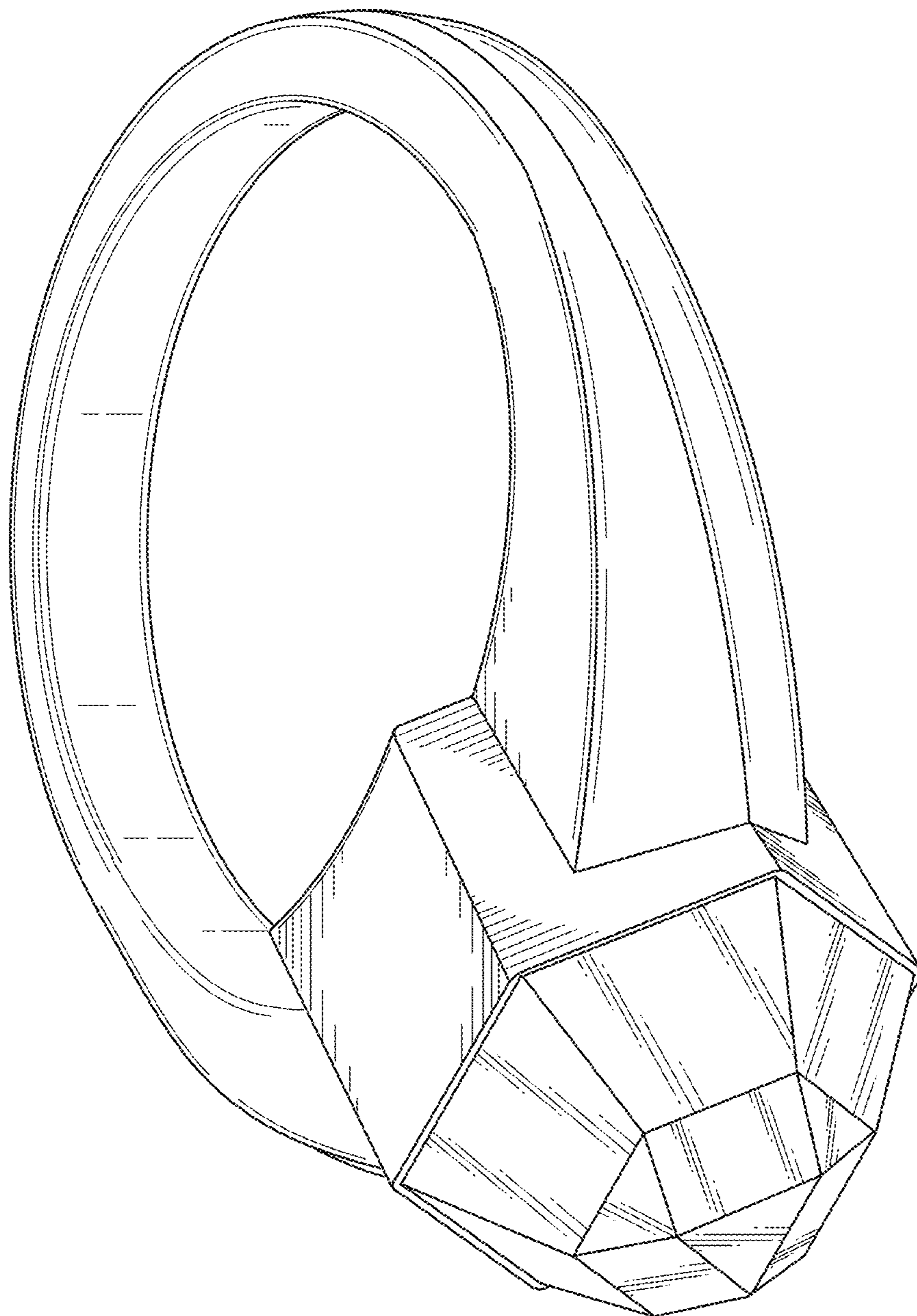


Fig. 8

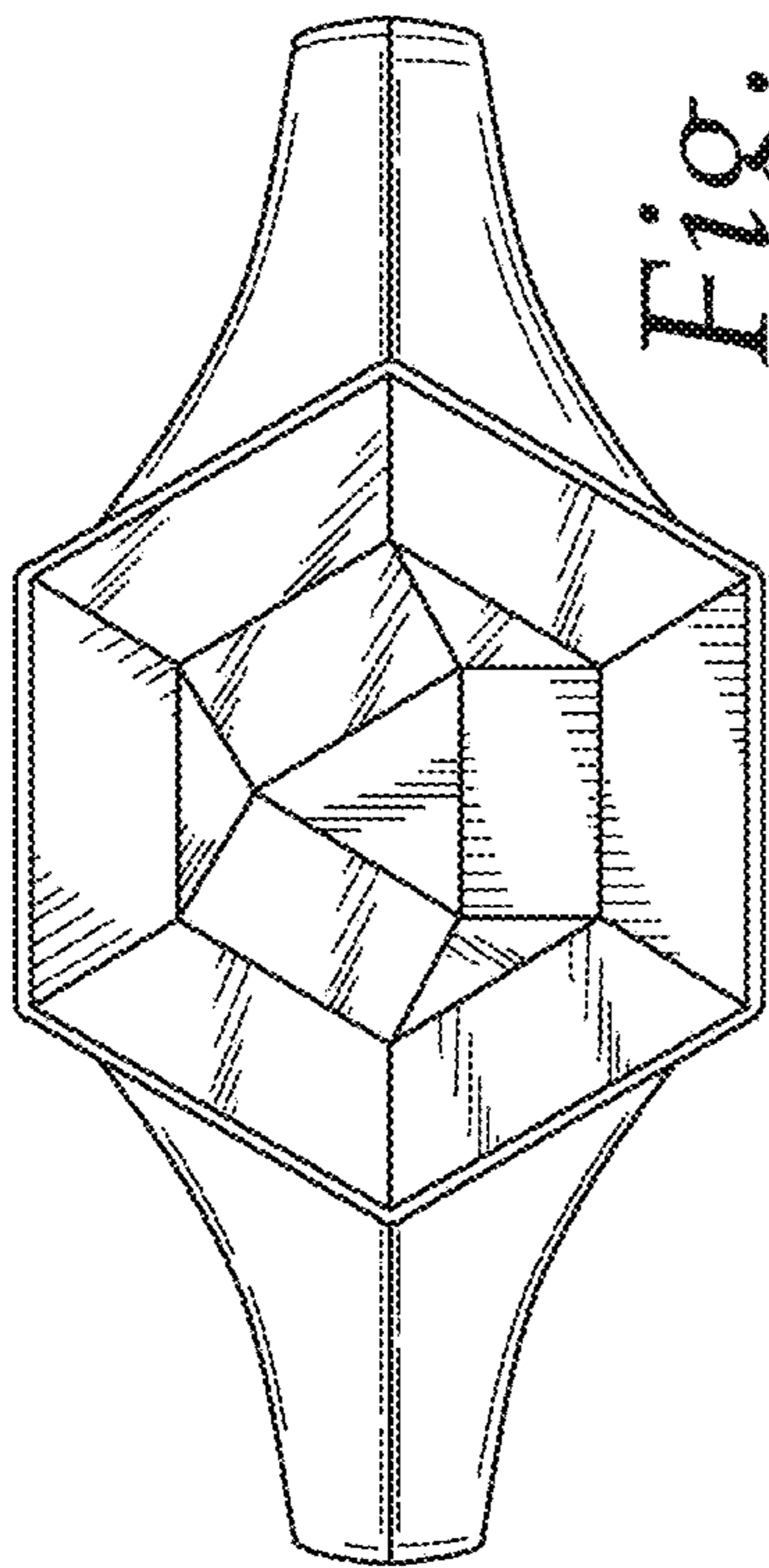


Fig. 9

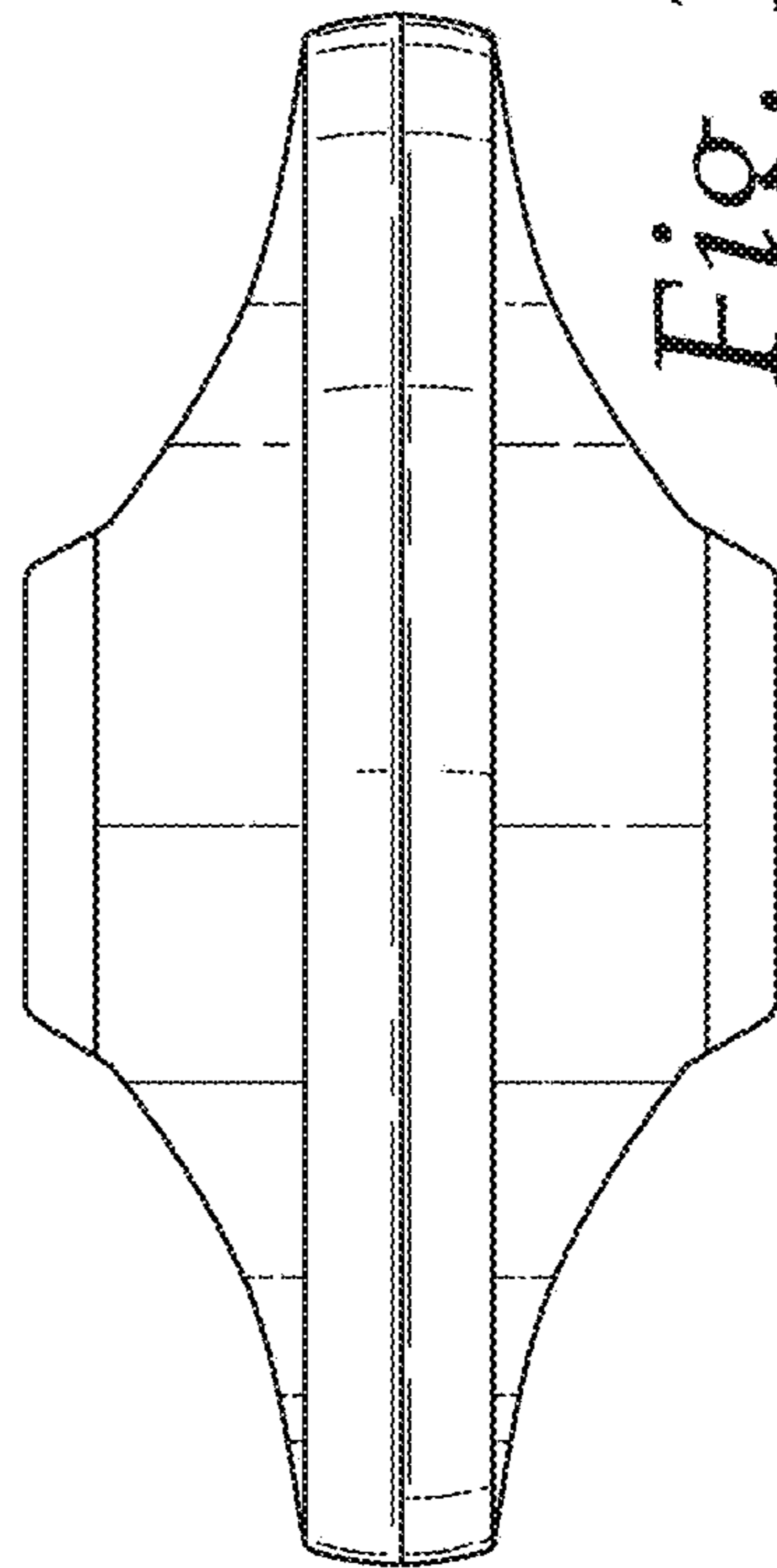


Fig. 10

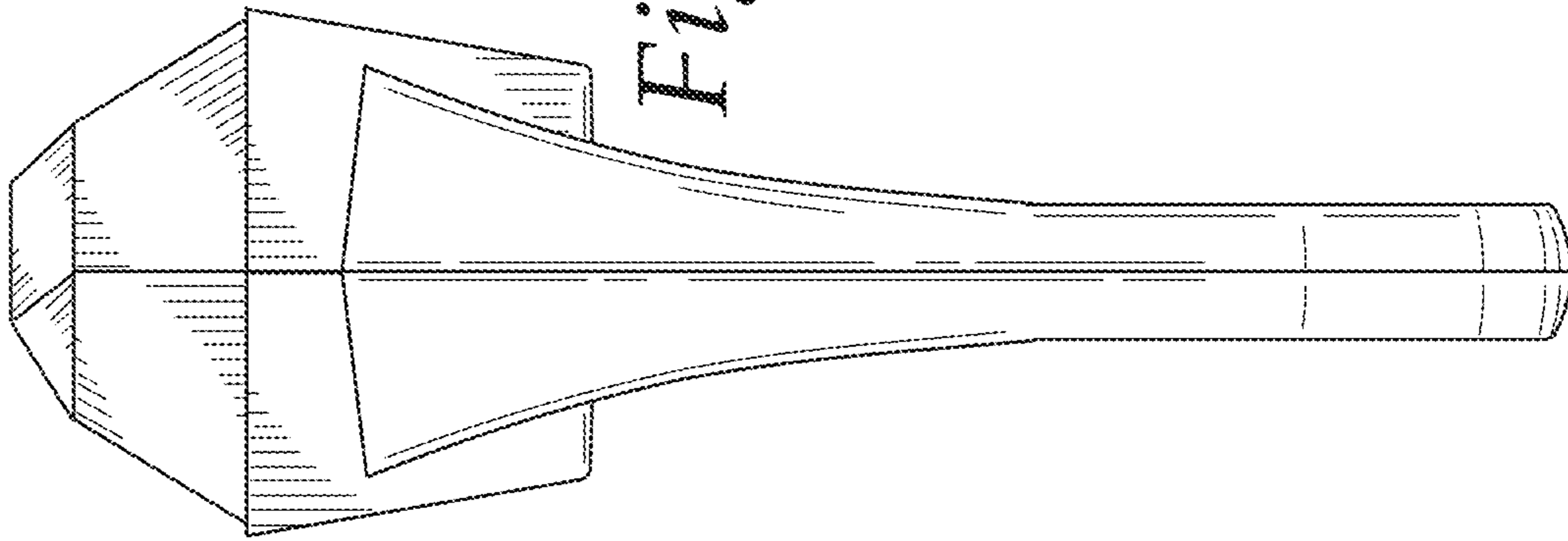


Fig. 12

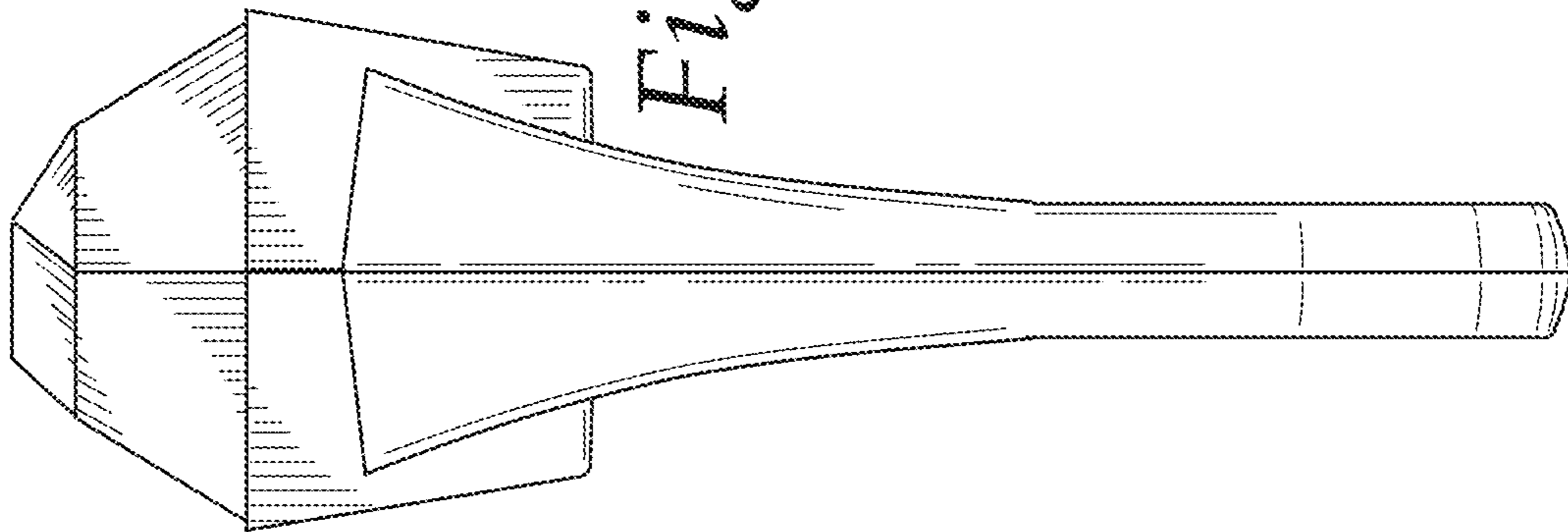


Fig. 11

