



US00D972446S

(12) **United States Design Patent** (10) **Patent No.:** **US D972,446 S**
Abdourahim (45) **Date of Patent:** **** Dec. 13, 2022**

(54) **RING**

(71) Applicant: **Harry Winston SA**, Plan-les-Ouates (CH)

(72) Inventor: **Delphine Abdourahim**, New York, NY (US)

(73) Assignee: **Harry Winston SA**, Plan-les-Ouates (CH)

(**) Term: **15 Years**

(21) Appl. No.: **29/799,561**

(22) Filed: **Jul. 15, 2021**

(30) **Foreign Application Priority Data**

Jan. 28, 2021 (WO) WIPO101422

(51) **LOC (13) Cl.** **11-01**

(52) **U.S. Cl.**
USPC **D11/34**

(58) **Field of Classification Search**

USPC D11/1, 7, 8, 26-39, 79, 91, 92
CPC A44C 9/00; A44C 9/0007; A44C 9/0014;
A44C 9/0023; A44C 9/003; A44C 9/0038;
A44C 9/0046; A44C 9/0053; A44C 9/0061;
A44C 9/0069; A44C 9/0076; A44C 9/0084; A44C 9/0092;
A44C 9/02; A44C 17/0258; A44C 17/0266;
A44C 17/0275; A44C 17/0283; A44C 17/02;
A44C 17/0208; A44C 17/0216; A44C 17/0225;
A44C 17/0233; A44C 17/0241; A44C 17/025;
A44C 17/0288; A44C 17/0291; A44C 1/00;
A44C 15/00; A44C 15/0005; A44C 15/001;
A44C 15/005

See application file for complete search history.

(56) **References Cited**

U.S. PATENT DOCUMENTS

D71,457 S *	11/1926	Herzog	D11/35
D71,458 S *	11/1926	Herzog	D99/19
D80,945 S *	4/1930	Gross	D11/34
D82,672 S *	12/1930	Gross	D11/34
D432,938 S *	10/2000	Vardakis	D11/26
D460,927 S *	7/2002	Ambar	D11/34
D729,107 S *	5/2015	Riviere	D11/42
D743,292 S *	11/2015	Yatsugi-Kang	D11/34
D780,025 S *	2/2017	Yatsugi-Kang	D11/34
D780,026 S *	2/2017	Yatsugi-Kang	D11/34
D780,040 S *	2/2017	Galli	D11/43
D784,846 S *	4/2017	Abdourahim	D11/43
D791,637 S *	7/2017	Yatsugi-Kang	D11/34
D794,497 S *	8/2017	Galli	D11/34
D875,593 S *	2/2020	Yatsugi-Kang	D11/42
D877,644 S *	3/2020	Yatsugi-Kang	D11/34

(Continued)

OTHER PUBLICATIONS

[Online] <https://www.facebook.com/HarryWinston/photos/10160463730014783>. Posted online Jul. 18, 2022. Retrieved Aug. 25, 2022.*

(Continued)

Primary Examiner — Melanie Pellegrini
(74) *Attorney, Agent, or Firm* — Blank Rome LLP

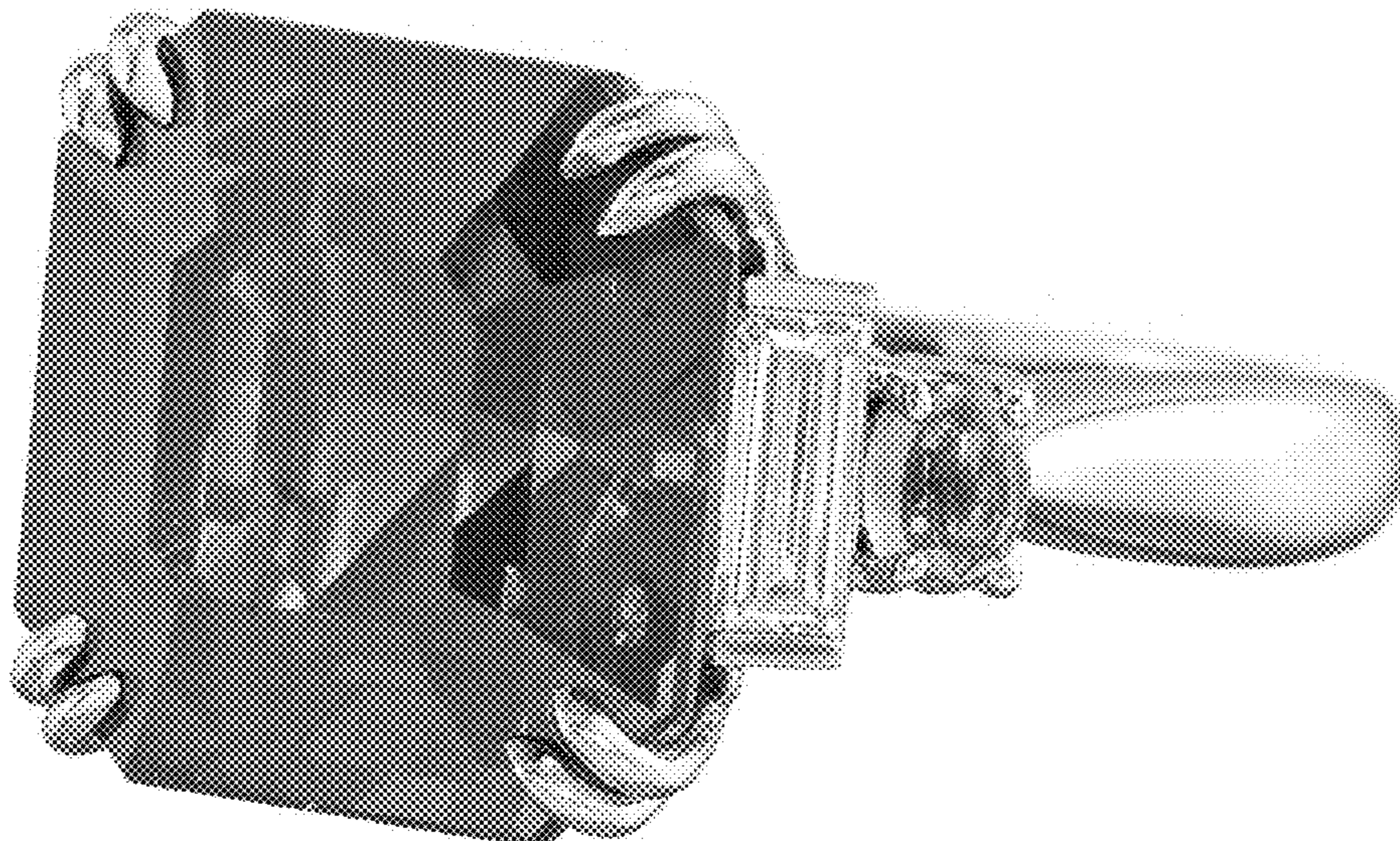
(57) **CLAIM**

The ornamental design for a ring, as shown and described.

DESCRIPTION

FIG. 1 is a top view of a ring of my new design;
FIG. 2 is a bottom perspective view thereof;
FIG. 3 is a right side view thereof;
FIG. 4 is a left side view thereof;
FIG. 5 is a front view thereof;
FIG. 6 is a rear view thereof;
FIG. 7 is a top right perspective view thereof; and,
FIG. 8 is a bottom left perspective view thereof.

1 Claim, 8 Drawing Sheets



(56)

References Cited

U.S. PATENT DOCUMENTS

D892,668 S * 8/2020 Yatsugi-Kang D11/7
D934,717 S * 11/2021 Riviere D11/8
D938,854 S * 12/2021 Kwon D11/42
D946,452 S * 3/2022 Riviere D11/34
D946,455 S * 3/2022 Riviere D11/34
D946,456 S * 3/2022 Kwon D11/34
D946,458 S * 3/2022 Riviere D11/34
D960,025 S * 8/2022 Wuest D11/34
D960,756 S * 8/2022 Abdourahim D11/34

OTHER PUBLICATIONS

[Online] <https://www.facebook.com/HarryWinston/photos/10160367438324783>. Posted online 5/27/22. Retrieved Aug. 25, 2022.*

* cited by examiner

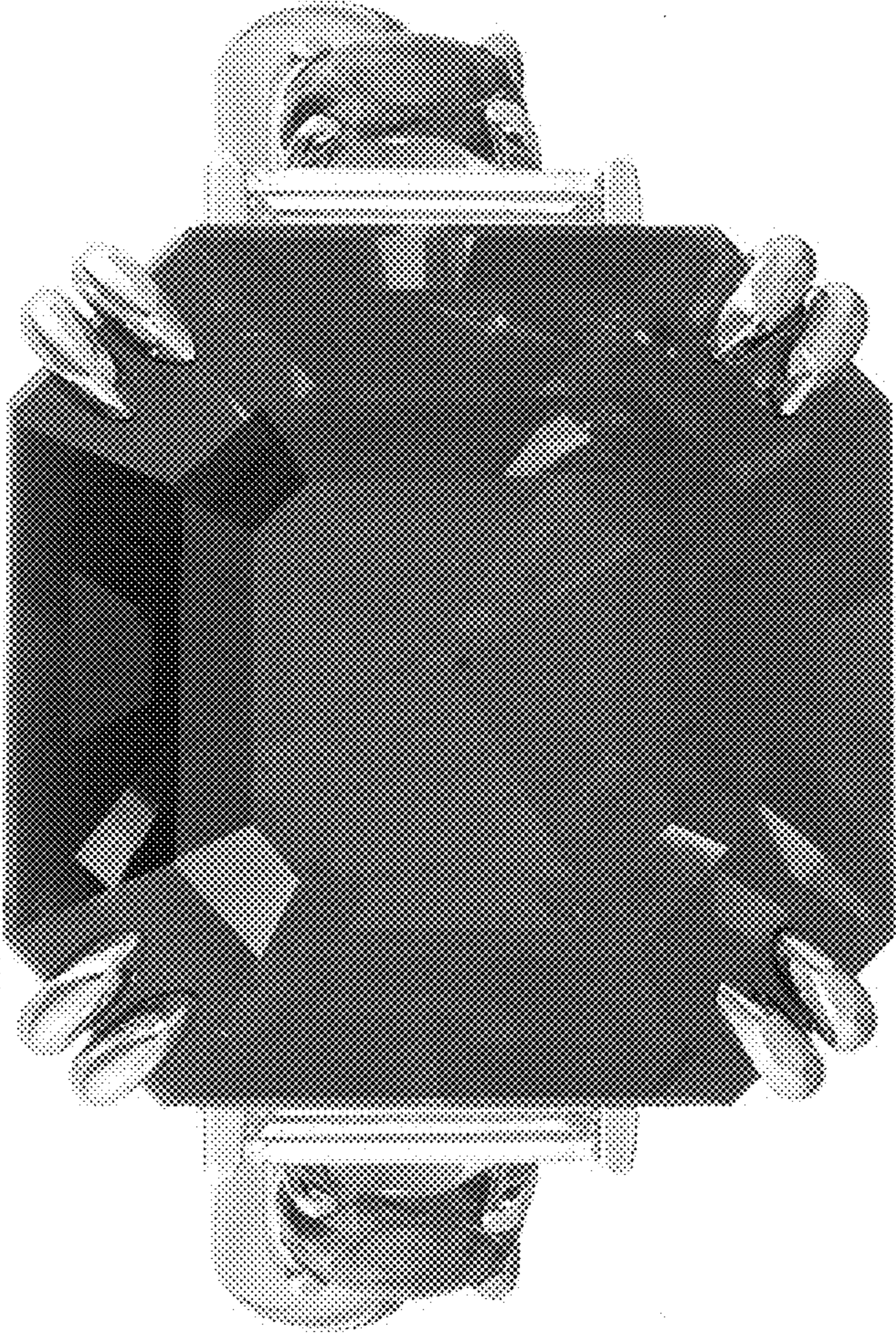


FIG. 1



FIG. 2

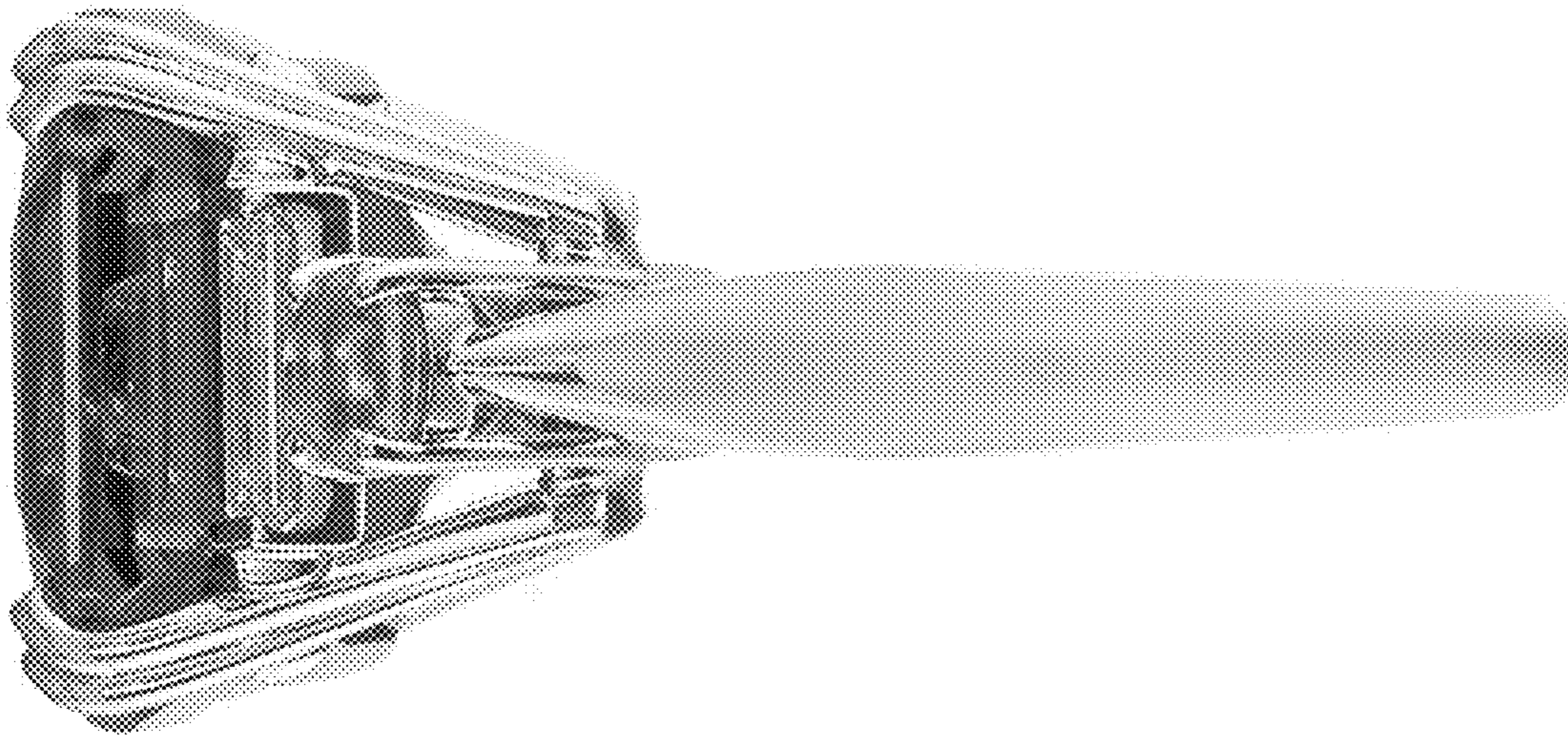


FIG. 3

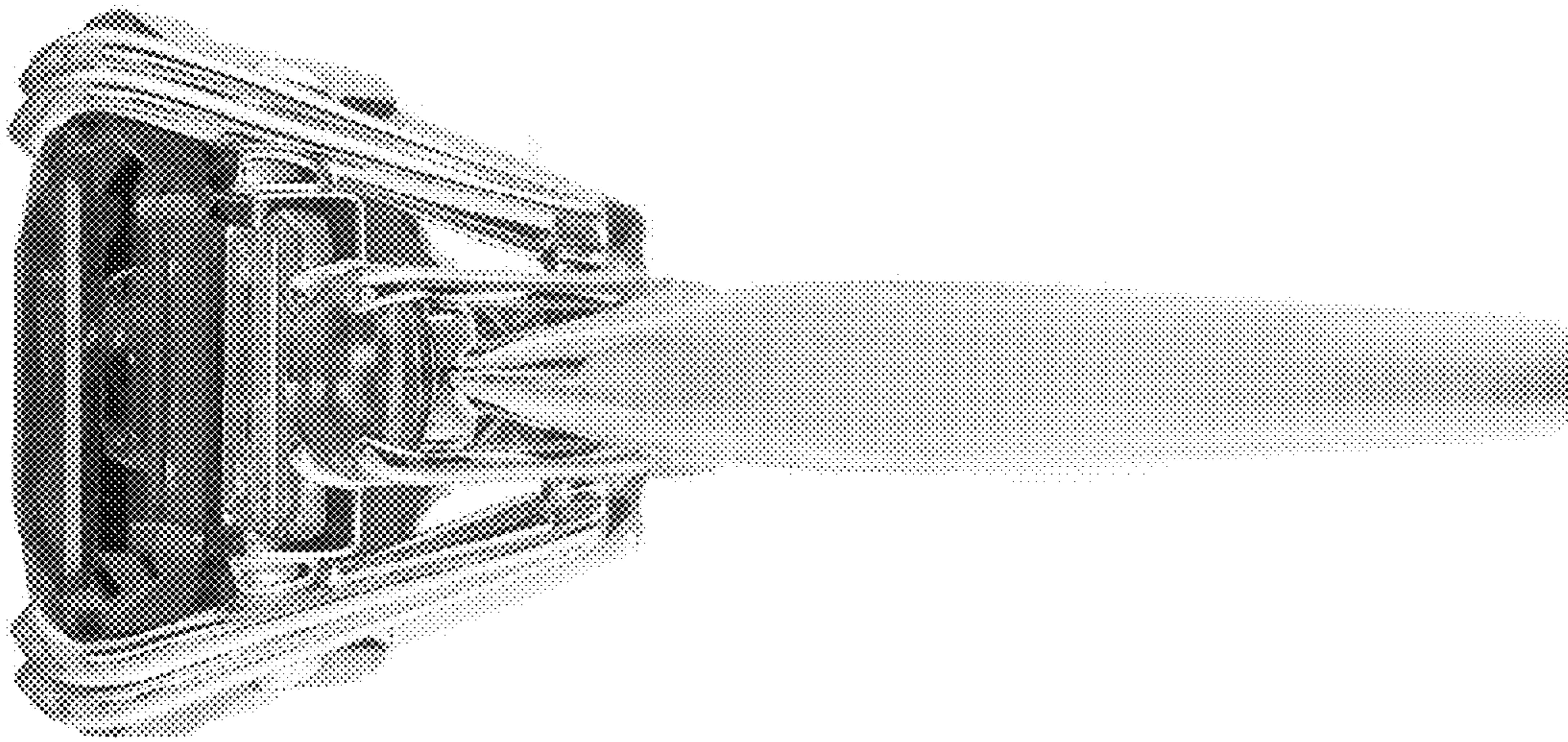


FIG. 4

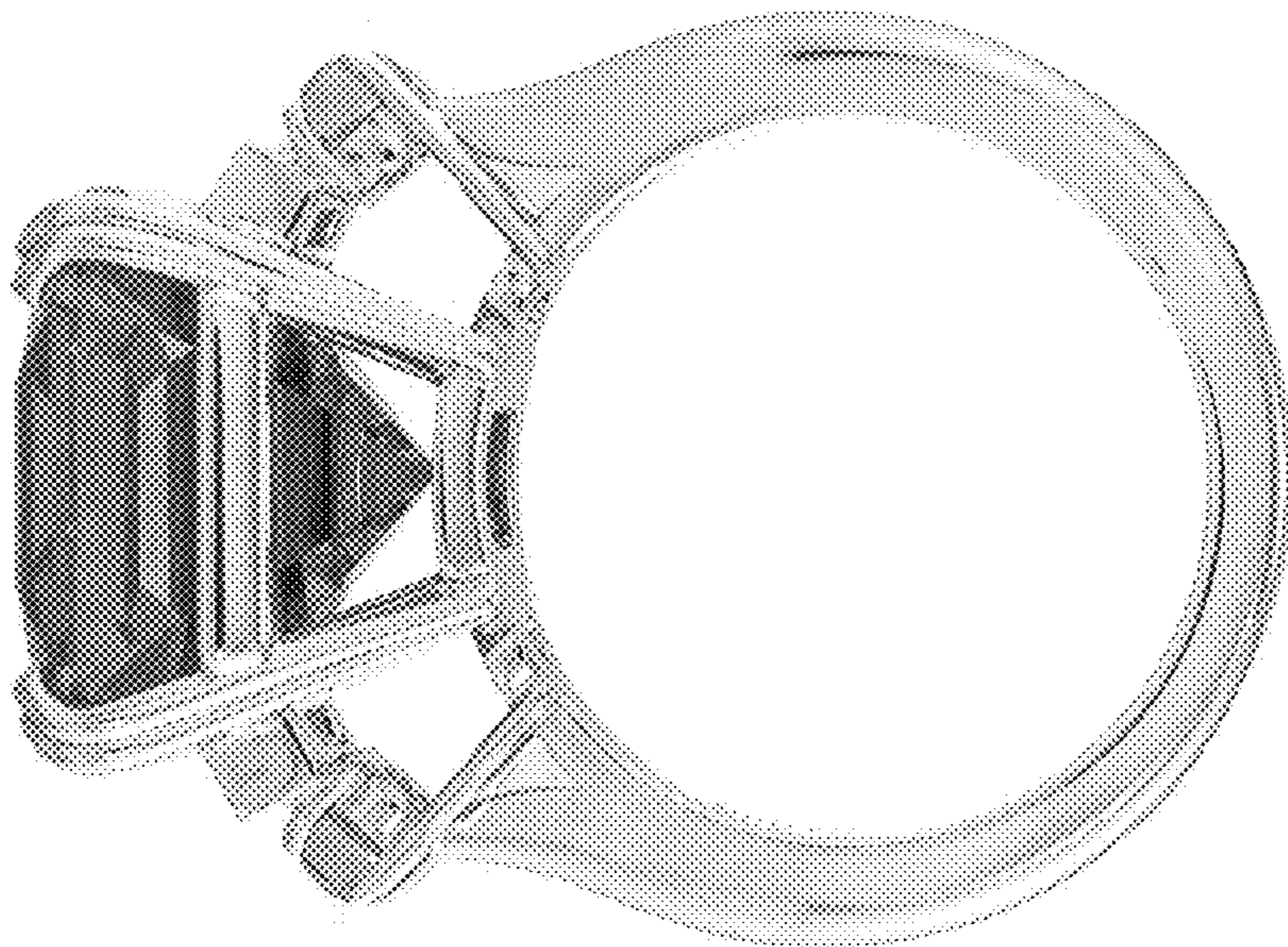


FIG. 5

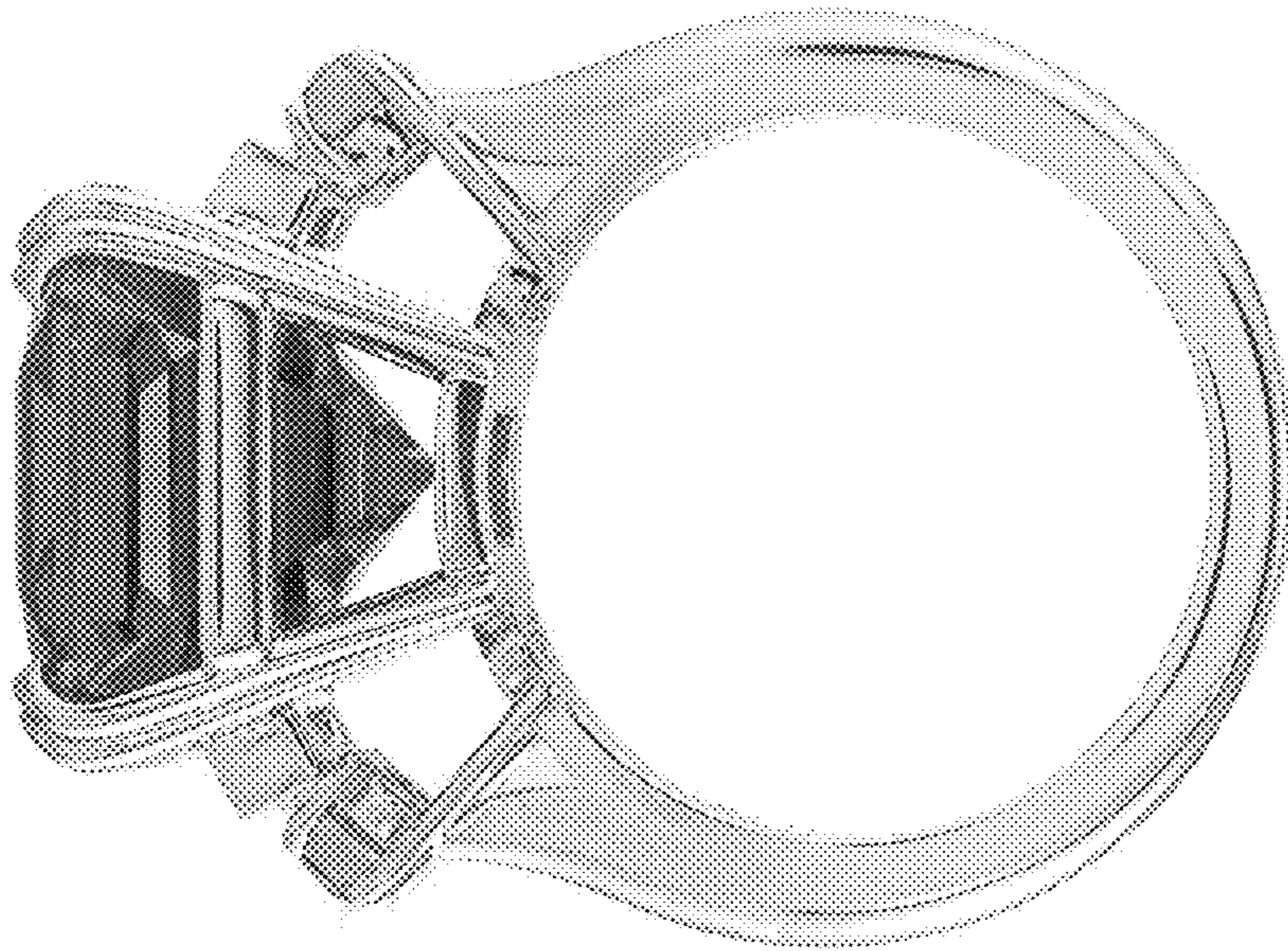


FIG. 6

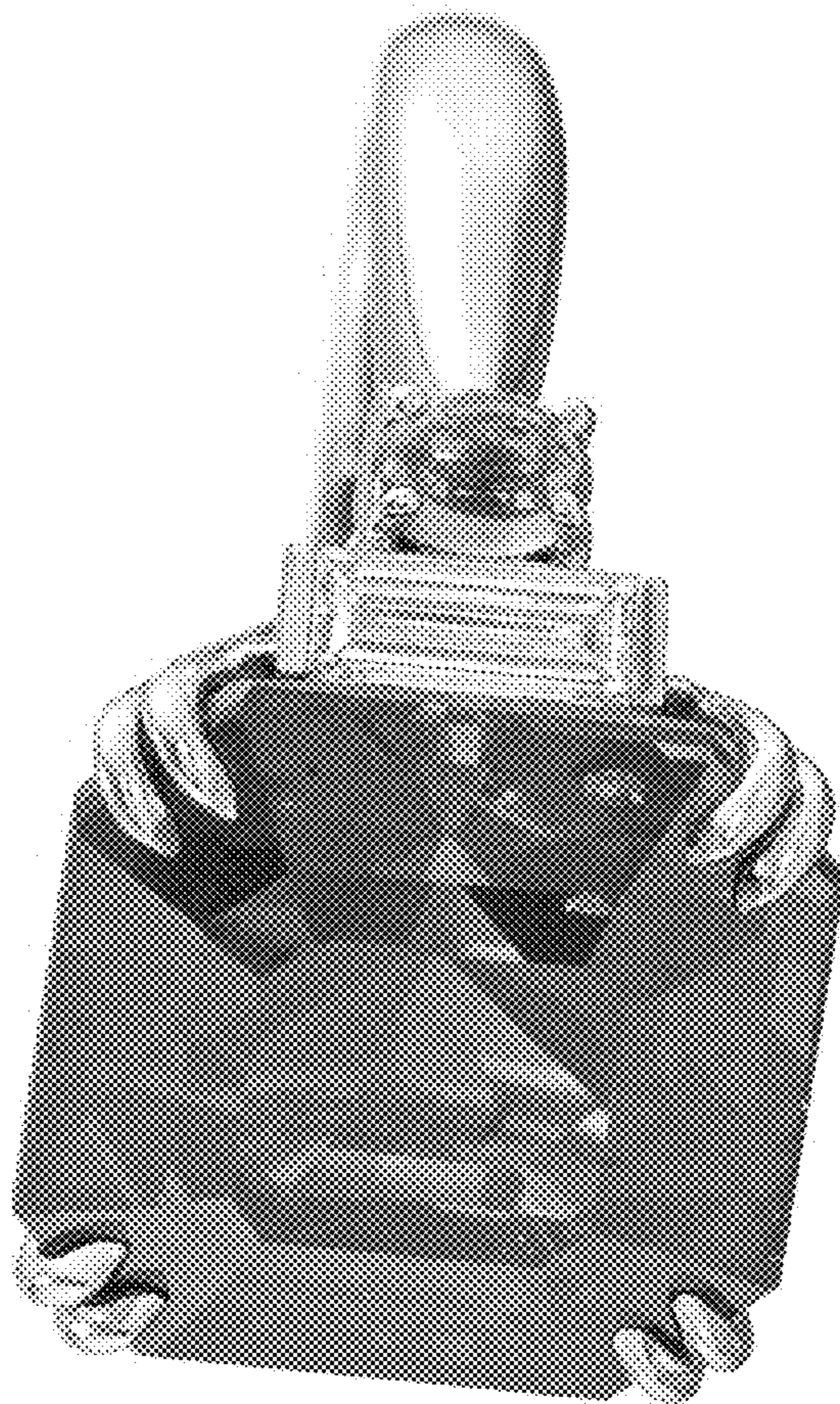


FIG. 7

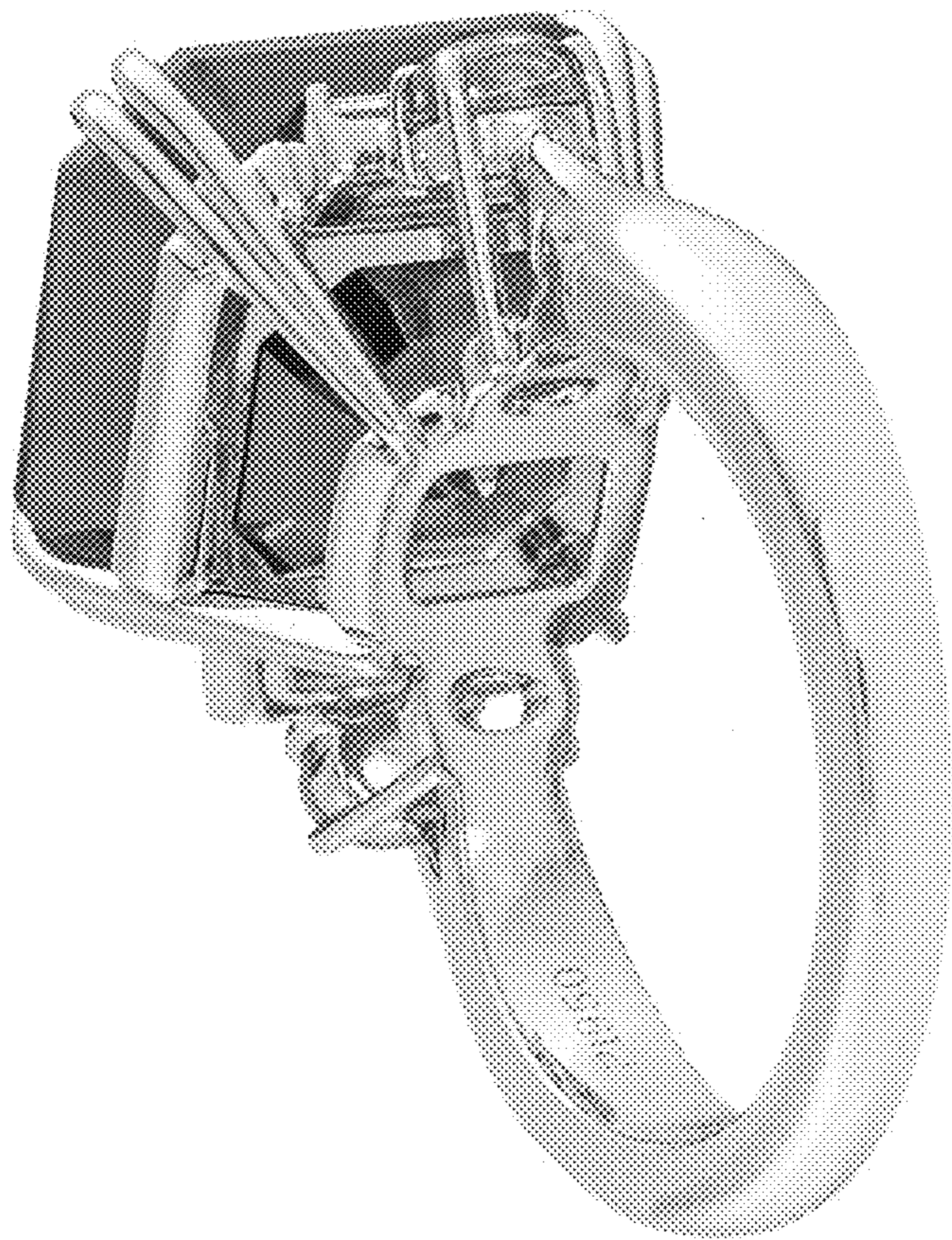


FIG. 8