



US00D972441S

(12) **United States Design Patent** (10) **Patent No.:** **US D972,441 S**  
**Abdourahim** (45) **Date of Patent:** **\*\* Dec. 13, 2022**

(54) **RING**

(71) Applicant: **Harry Winston SA**, Plan-les-Ouates (CH)  
(72) Inventor: **Delphine Abdourahim**, New York, NY (US)  
(73) Assignee: **Harry Winston SA**, Plan-les-Ouates (CH)  
(\*\*) Term: **15 Years**  
(21) Appl. No.: **29/795,570**  
(22) Filed: **Jun. 18, 2021**

(30) **Foreign Application Priority Data**

Dec. 22, 2020 (WO) ..... WIPO100501  
(51) **LOC (13) Cl.** ..... **11-01**  
(52) **U.S. Cl.**  
USPC ..... **D11/34**  
(58) **Field of Classification Search**  
USPC ..... D11/1, 7, 8, 26-39, 79, 91, 92  
CPC ..... A44C 9/00; A44C 9/0007; A44C 9/0014;  
A44C 9/0023; A44C 9/003; A44C  
9/0038; A44C 9/0046; A44C 9/0053;  
A44C 9/0061; A44C 9/0069; A44C  
9/0076; A44C 9/0084; A44C 9/0092;  
A44C 9/02; A44C 17/0258; A44C  
17/0266; A44C 17/0275; A44C 17/0283;  
A44C 17/02; A44C 17/0208; A44C  
17/0216; A44C 17/0225; A44C 17/0233;  
A44C 17/0241; A44C 17/025; A44C  
17/0288; A44C 17/0291; A44C 1/00;  
A44C 15/00; A44C 15/0005; A44C  
15/001; A44C 15/005

See application file for complete search history.

(56) **References Cited**

U.S. PATENT DOCUMENTS

D729,107 S \* 5/2015 Riviere ..... D11/42  
D783,442 S \* 4/2017 Yatsugi-Kang ..... D11/40  
D813,079 S \* 3/2018 Galli ..... D11/34  
D820,145 S \* 6/2018 Galli ..... D11/40  
D849,584 S \* 5/2019 Majeric ..... D11/34  
D934,728 S \* 11/2021 Wuest ..... D11/42  
D938,854 S \* 12/2021 Kwon ..... D11/42  
D942,304 S \* 2/2022 Kwon ..... D11/42  
D942,305 S \* 2/2022 Riviere ..... D11/42  
D946,459 S \* 3/2022 Kwon ..... D11/34  
D946,460 S \* 3/2022 Abdourahim ..... D11/34  
D954,589 S \* 6/2022 Kwon ..... D11/34  
D955,261 S \* 6/2022 Kwon ..... D11/42  
D960,750 S \* 8/2022 Yatsugi-Kang ..... D11/7  
D961,443 S \* 8/2022 Yatsugi-Kang ..... D11/34  
D961,444 S \* 8/2022 Yatsugi-Kang ..... D11/34

OTHER PUBLICATIONS

[Online] <https://www.facebook.com/HarryWinston/photos/10160476777514783>. Posted Jul. 26, 2022. Retrieved Sep. 10, 2022.\*

\* cited by examiner

*Primary Examiner* — Melanie Pellegrini  
(74) *Attorney, Agent, or Firm* — Blank Rome LLP

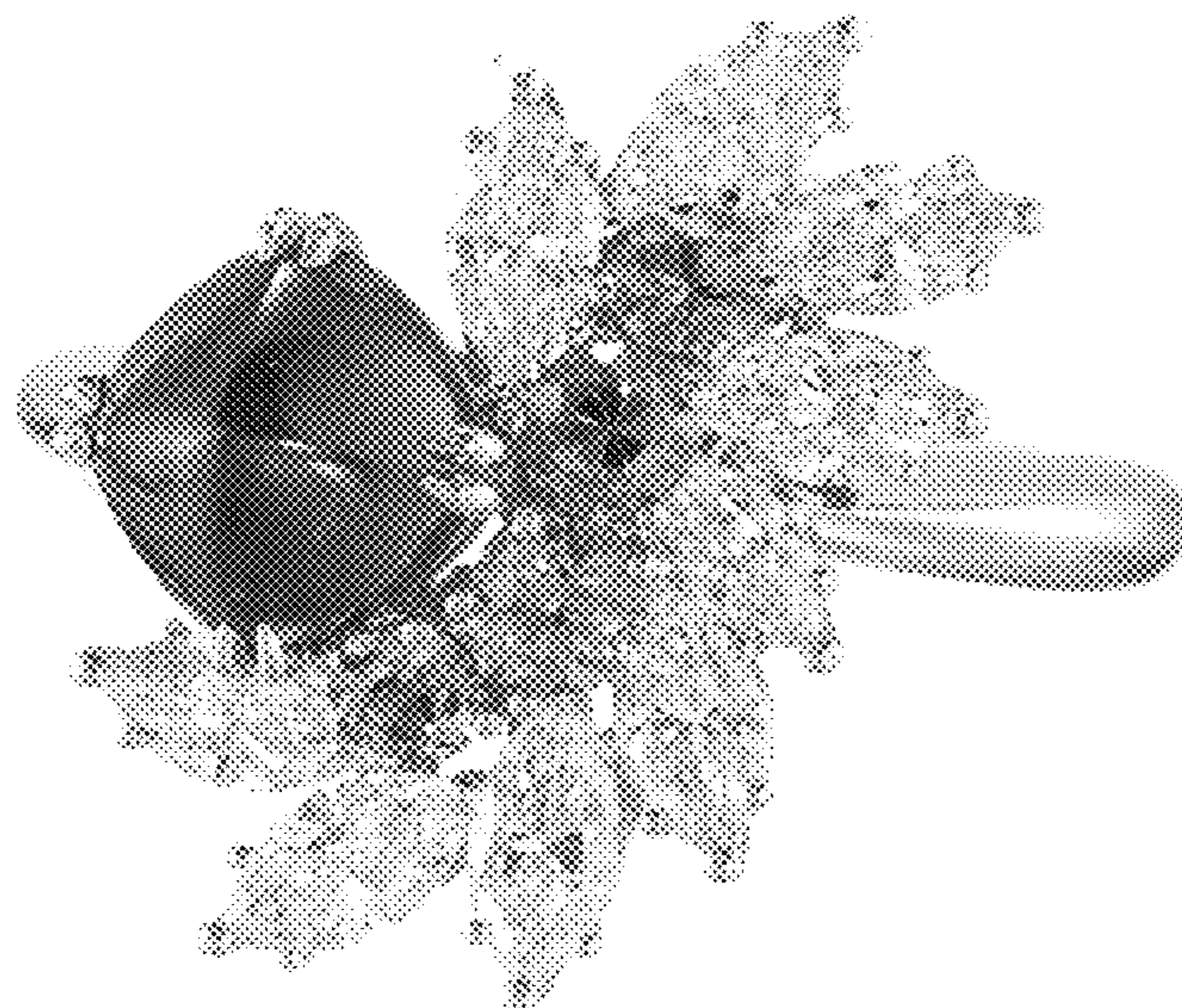
(57) **CLAIM**

The ornamental design for a ring, as shown and described.

**DESCRIPTION**

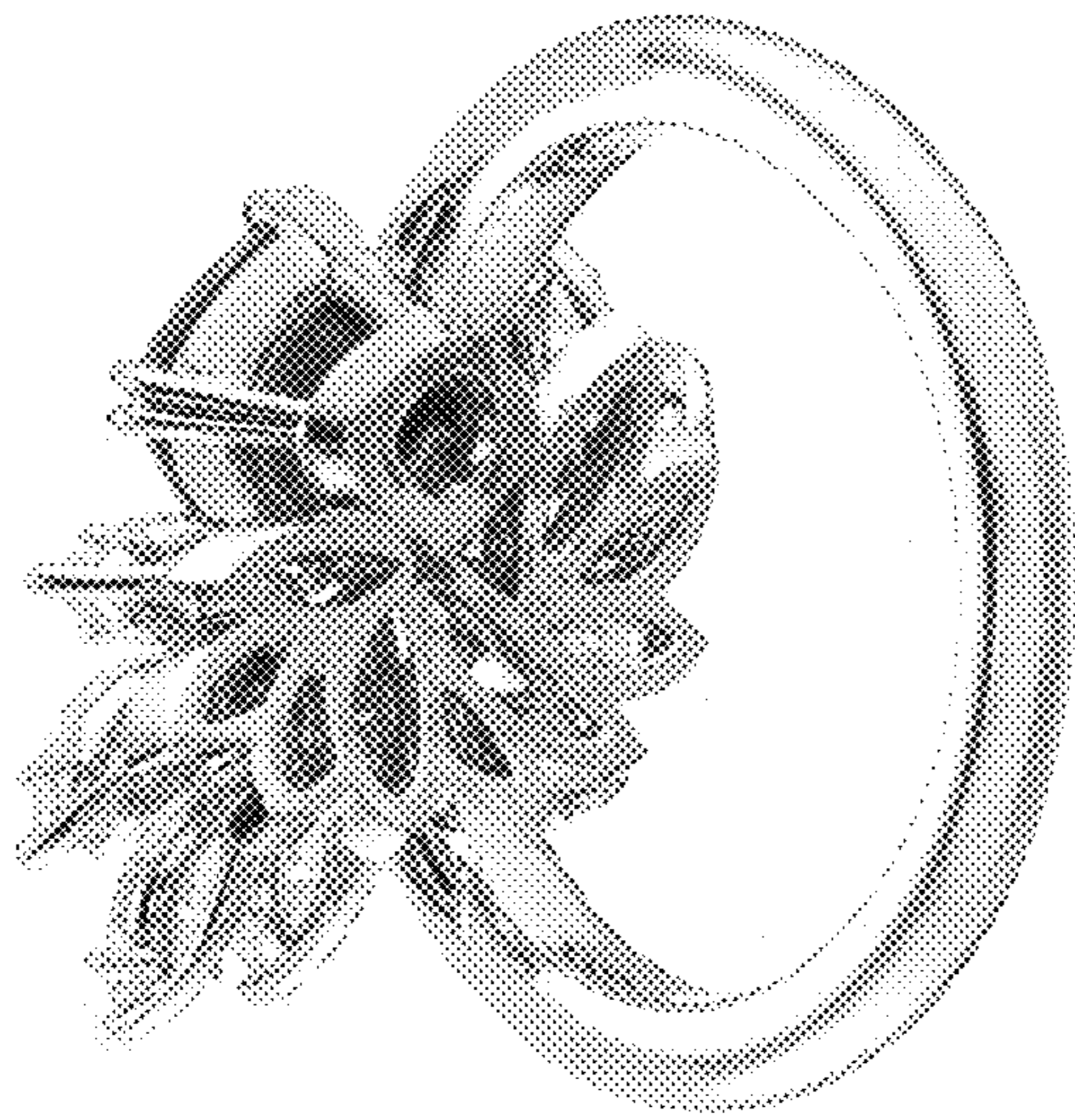
FIG. 1 is a top view of a ring of my new design;  
FIG. 2 is a bottom perspective view thereof;  
FIG. 3 is a left side view thereof;  
FIG. 4 is a right side view thereof;  
FIG. 5 is a front view thereof;  
FIG. 6 is a rear view thereof;  
FIG. 7 is a top right perspective view thereof; and,  
FIG. 8 is a bottom left perspective view thereof.

**1 Claim, 8 Drawing Sheets**

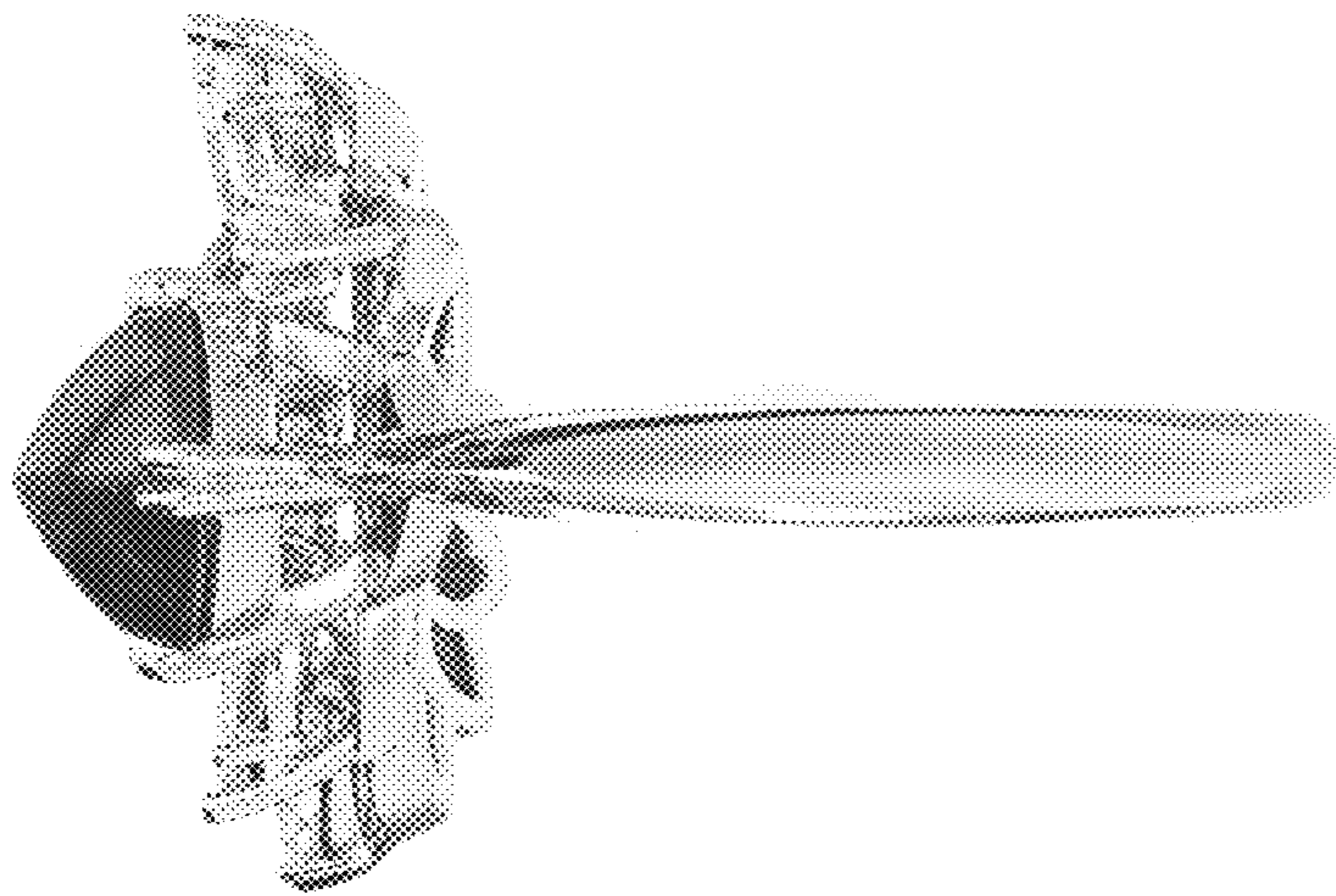




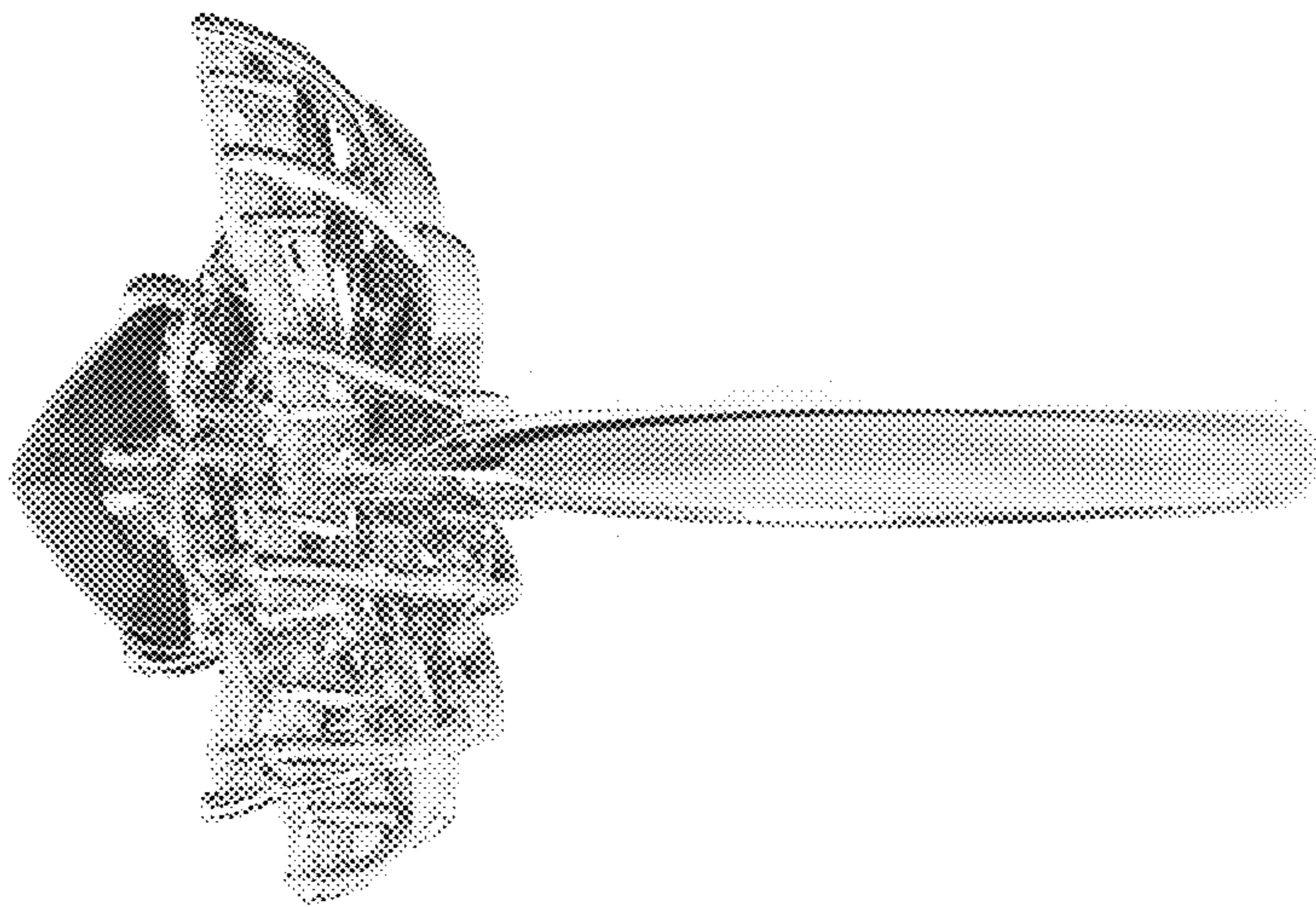
**FIG. 1**



**FIG. 2**



**FIG. 3**



**FIG. 4**



**FIG. 5**



**FIG. 6**



**FIG. 7**





**FIG. 8**