



US00D972431S

(12) **United States Design Patent**
Huang

(10) **Patent No.:** **US D972,431 S**

(45) **Date of Patent:** **** Dec. 13, 2022**

(54) **WATCH STRAP**

(71) Applicant: **Wei Huang**, Shaoyang (CN)

(72) Inventor: **Wei Huang**, Shaoyang (CN)

(**) Term: **15 Years**

(21) Appl. No.: **29/803,531**

(22) Filed: **Aug. 13, 2021**

(51) **LOC (13) Cl.** **11-01**

(52) **U.S. Cl.**
USPC **D11/3; D10/32**

(58) **Field of Classification Search**
USPC D11/1-6; D14/344; D10/30, 31, 32, 38
CPC A44C 5/00; A44C 5/0007; A44C 5/0015;
A44C 5/0053; A44C 5/147; A44C 5/16;
G04B 37/005; G04B 37/0058
See application file for complete search history.

(56) **References Cited**

U.S. PATENT DOCUMENTS

D259,186 S *	5/1981	Perrin	D10/32
D267,478 S *	1/1983	Kanouji	D10/32
D277,649 S *	2/1985	Glauser	D10/32
D618,127 S *	6/2010	Galli	D11/3
D732,414 S *	6/2015	Cerrato	D11/3
D854,960 S *	7/2019	Yu	D11/3
D856,160 S *	8/2019	Yu	D10/32

D879,653 S	3/2020	Deng	
D906,871 S	1/2021	Devaney et al.	
D932,321 S *	10/2021	Jung D11/3
D933,497 S *	10/2021	Panneer Selvam D14/344
D947,183 S *	3/2022	Wu D14/344
D949,711 S *	4/2022	Huang D10/32

FOREIGN PATENT DOCUMENTS

CN	304868704 S	10/2018
CN	305366008 S	9/2019

* cited by examiner

Primary Examiner — Llorellys Martinez

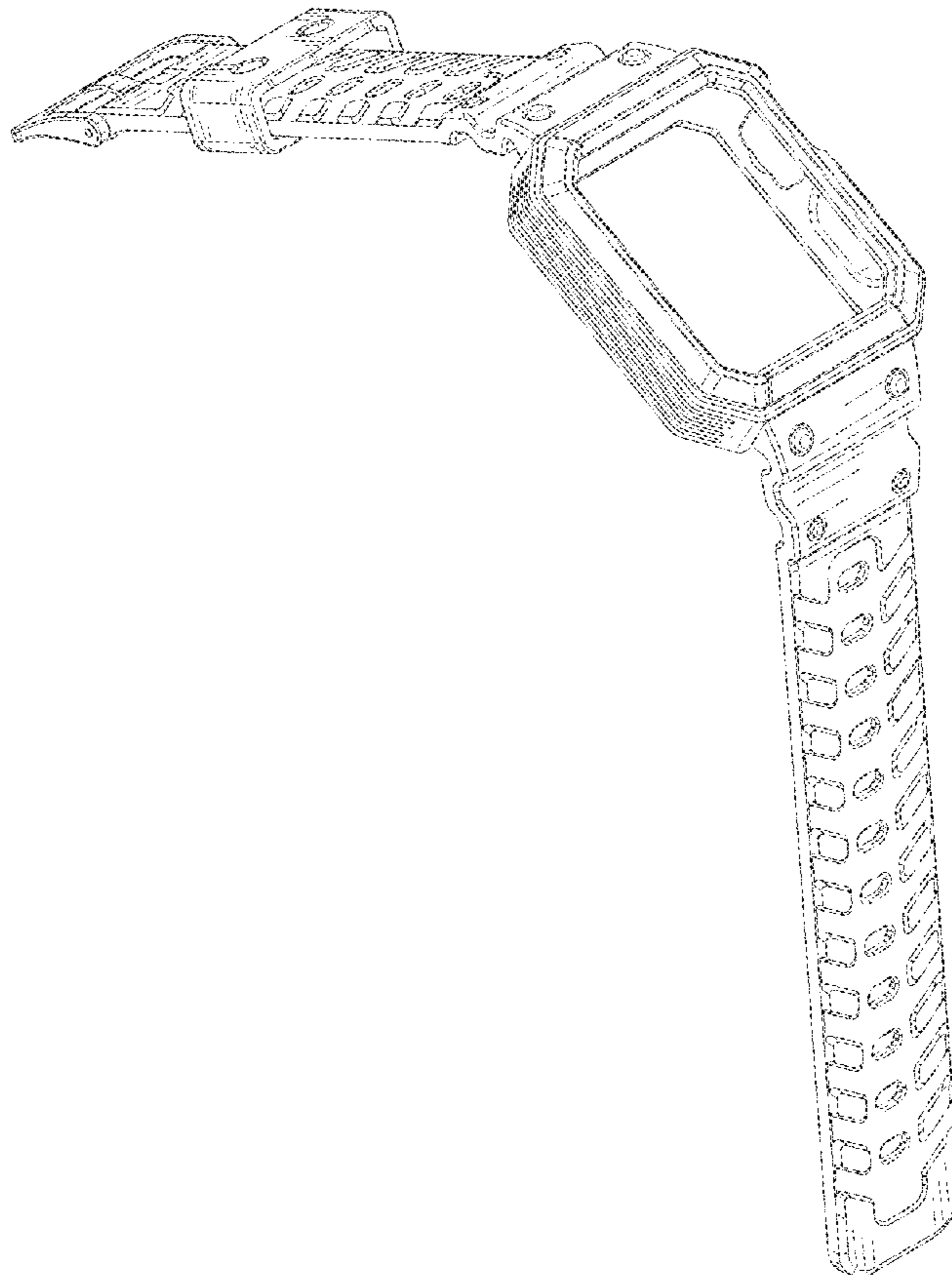
(57) **CLAIM**

The ornamental design for a watch strap, as shown and described.

DESCRIPTION

FIG. 1 is a top, front and left side perspective view of a watch strap showing my new design; FIG. 2 is a top plan view thereof; FIG. 3 is a bottom plan view thereof; FIG. 4 is a left side elevational view thereof; FIG. 5 is a right side elevational view thereof; FIG. 6 is a rear elevational view thereof; and, FIG. 7 is a front elevational view thereof. The broken lines in the drawings illustrate portions of the watch strap that form no part of the claimed design.

1 Claim, 7 Drawing Sheets



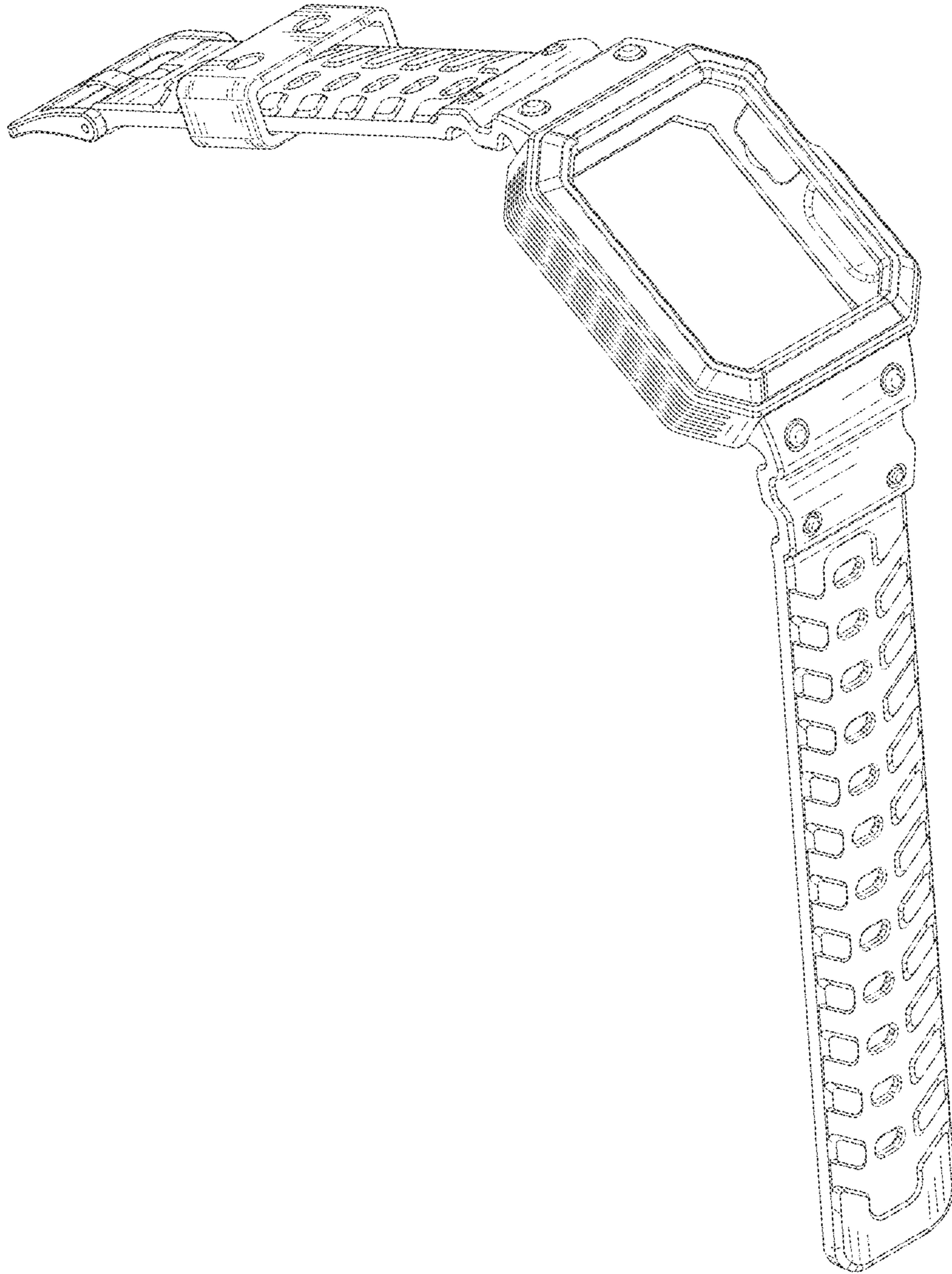


FIG. 1

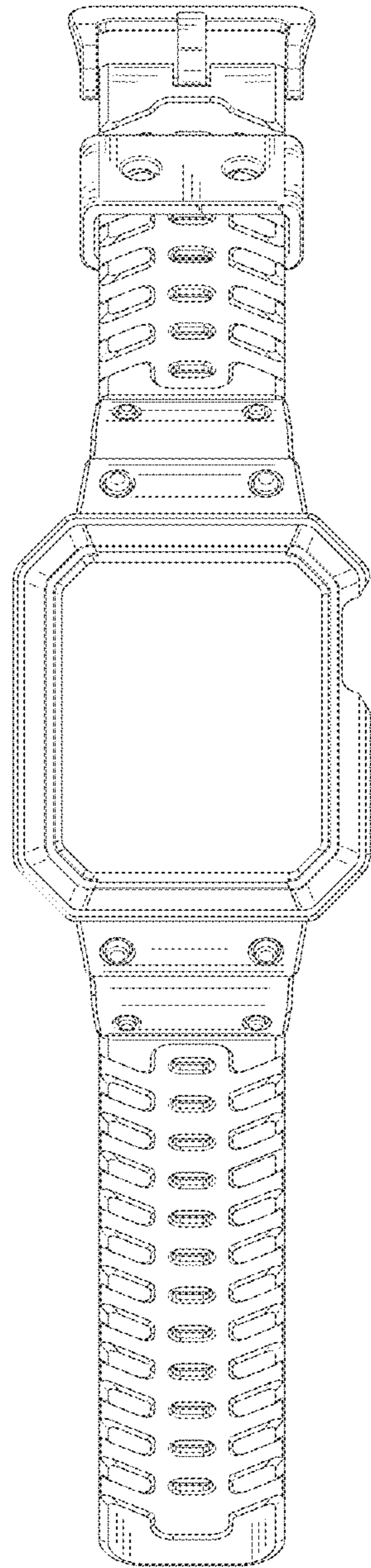


FIG. 2

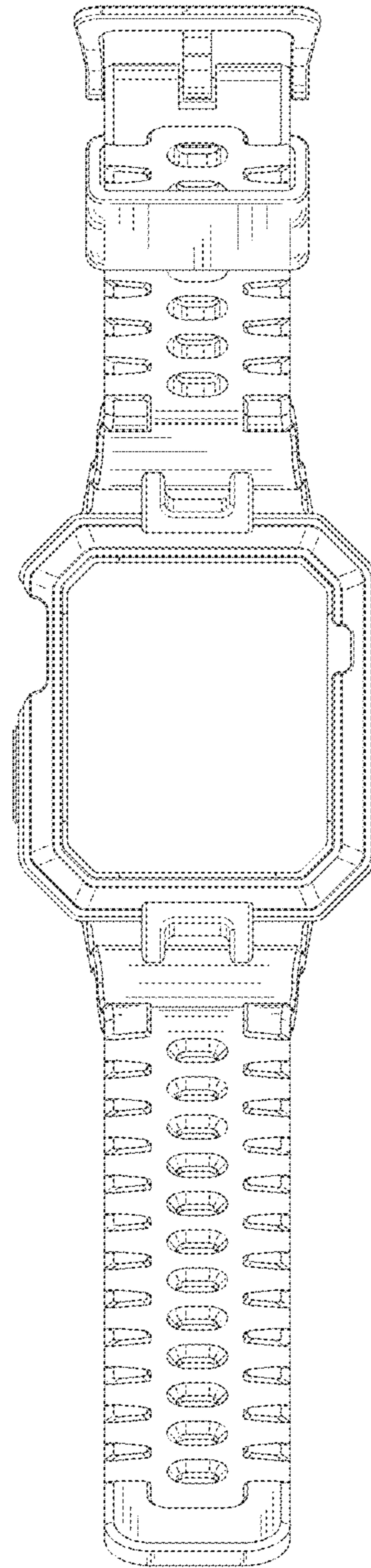


FIG. 3

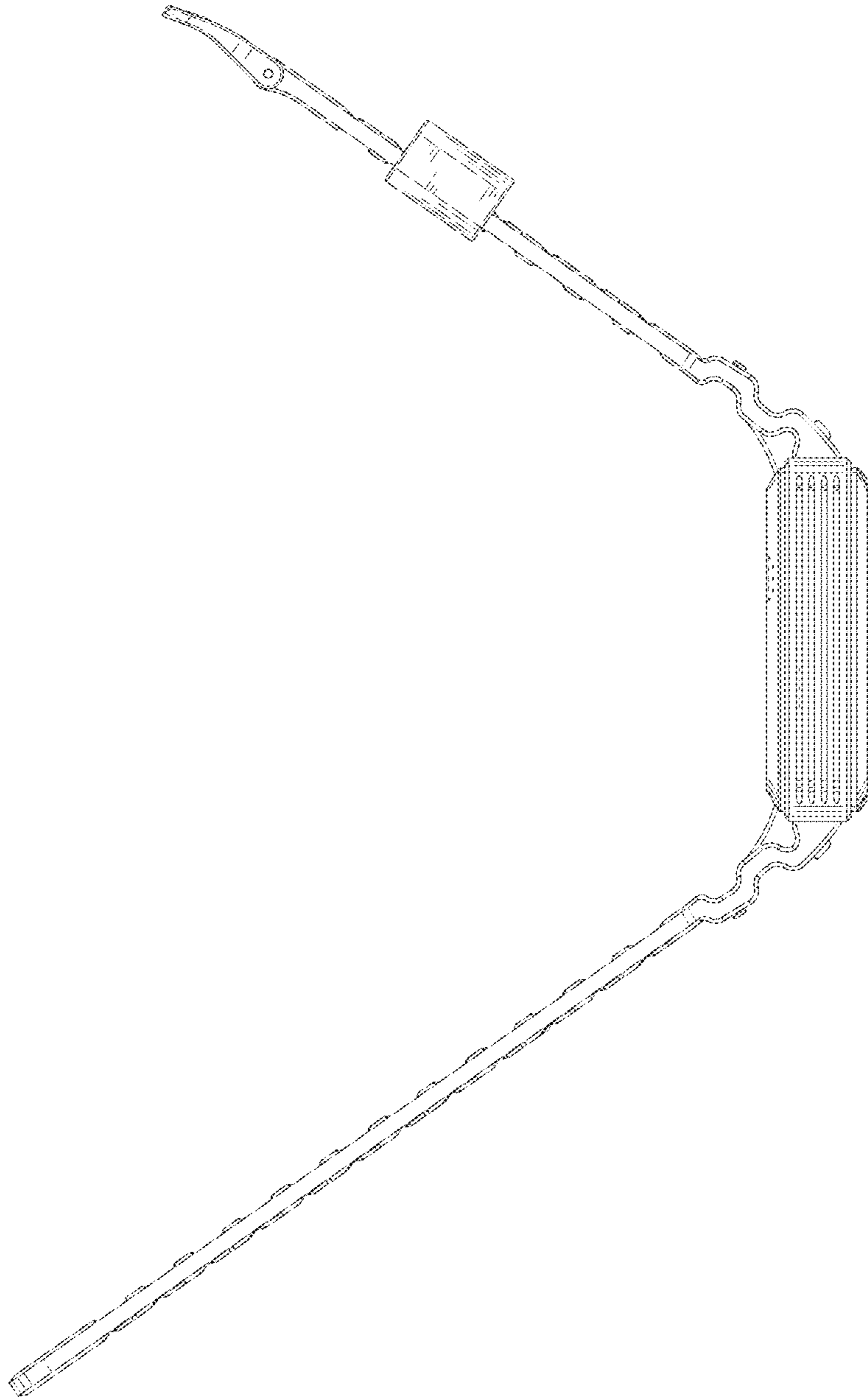


FIG. 4

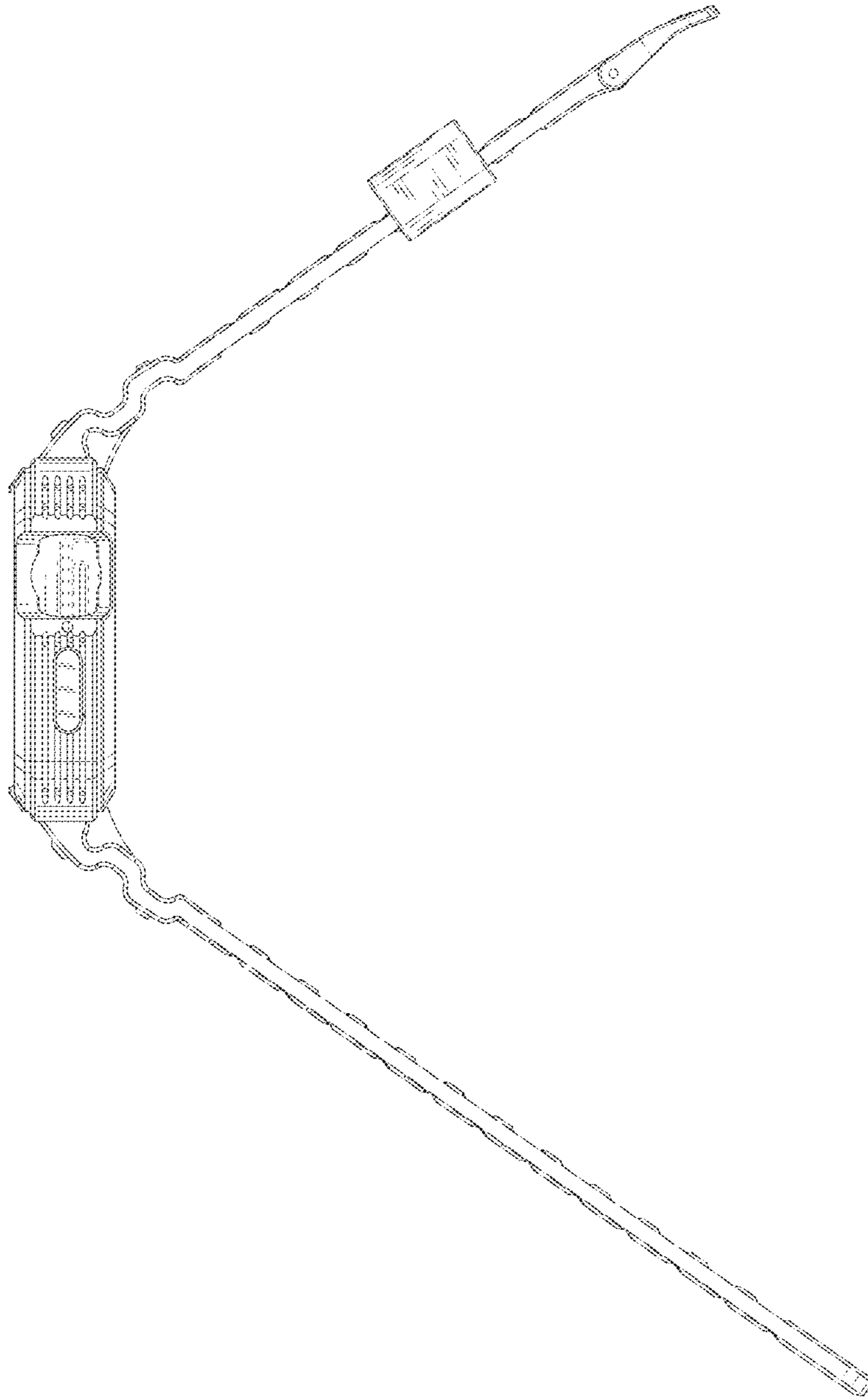


FIG. 5

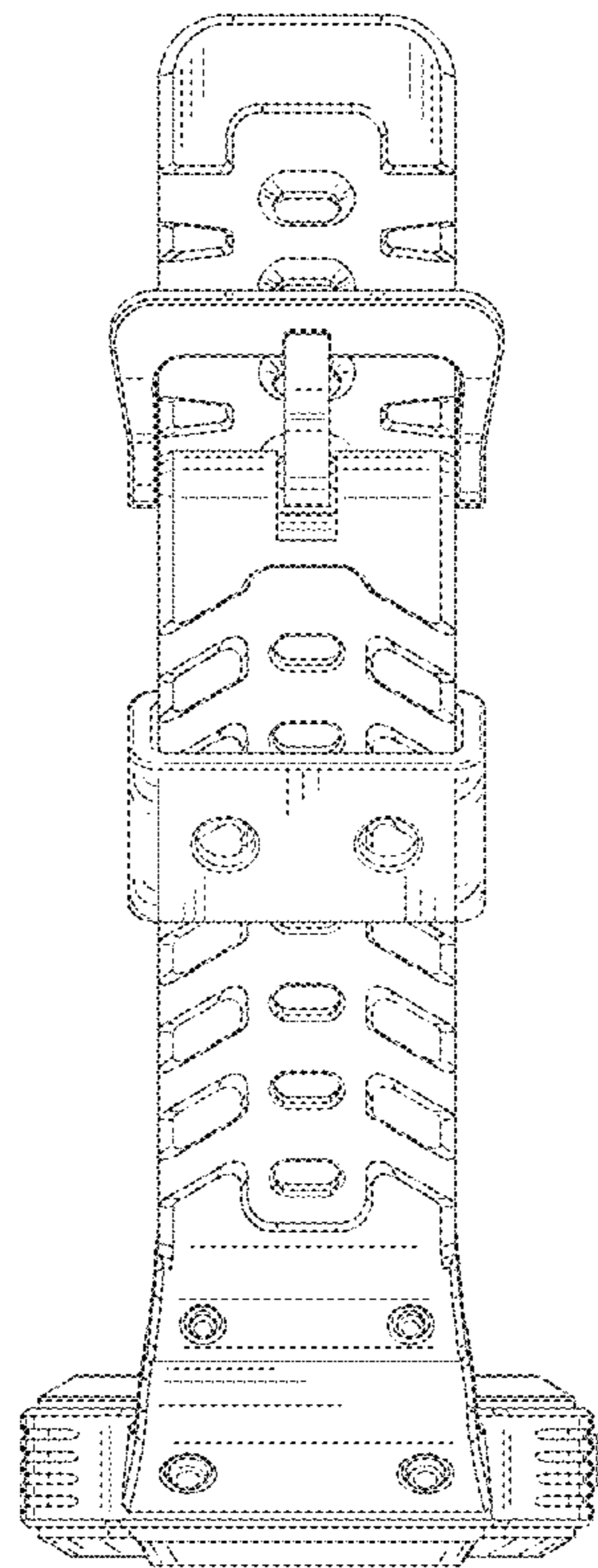


FIG. 6

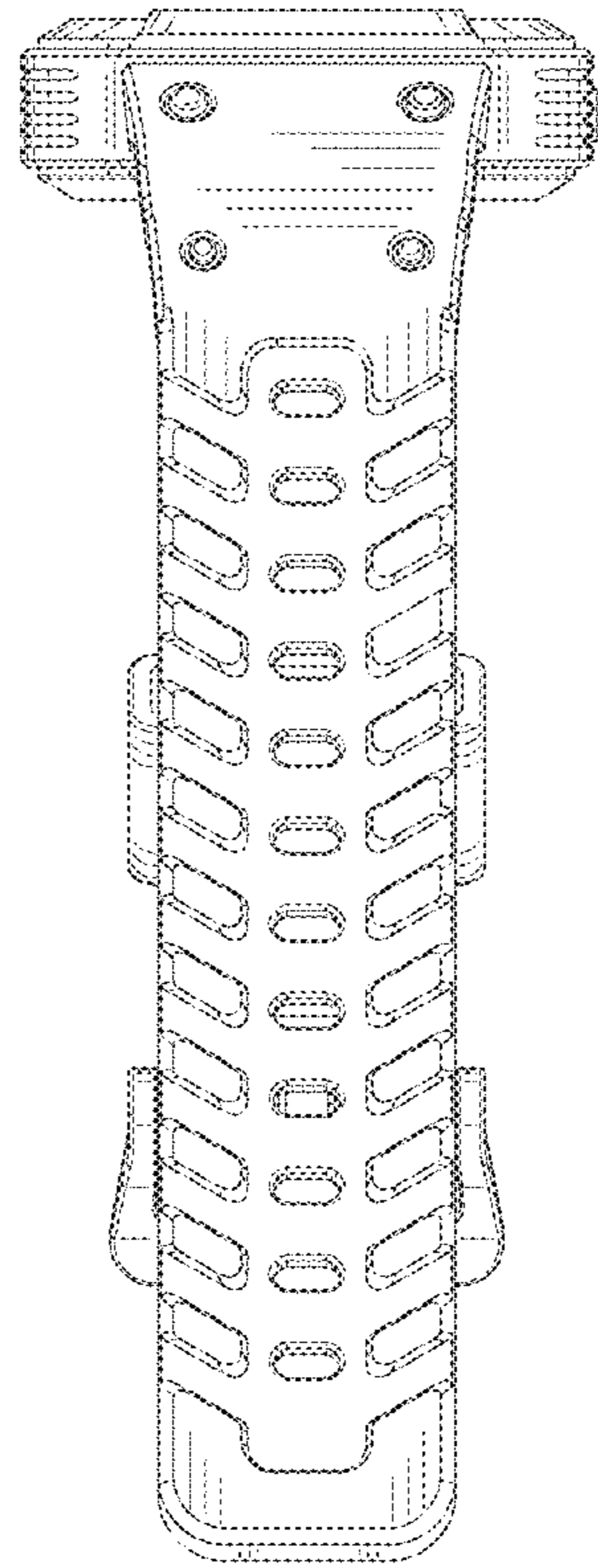


FIG. 7