



US00D972427S

(12) **United States Design Patent**  
**Thorne et al.**

(10) **Patent No.:** **US D972,427 S**

(45) **Date of Patent:** **\*\* Dec. 13, 2022**

(54) **SMOKE DETECTOR**

(71) Applicant: **SimpliSafe, Inc.**, Boston, MA (US)

(72) Inventors: **Scott Joseph Thorne**, Cambridge, MA (US); **Chaim Carmiel Futran**, Cambridge, MA (US); **Scott A. Conner**, Foxboro, MA (US); **Dirk Ahlgrim**, Boston, MA (US)

(73) Assignee: **SimpliSafe, Inc.**, Boston, MA (US)

(\*\*) Term: **15 Years**

(21) Appl. No.: **29/783,760**

(22) Filed: **May 14, 2021**

(51) **LOC (13) Cl.** ..... **10-05**

(52) **U.S. Cl.**  
USPC ..... **D10/106.5**

(58) **Field of Classification Search**  
USPC ..... D10/104.1, 104.2, 106.2, 106.3, 106.5, D10/106.6, 106.7, 120, 121; D16/203  
CPC .... G08B 17/107; G08B 17/11; G08B 29/043; G08B 17/00; G08B 17/10; G08B 29/145; G08B 17/103  
See application file for complete search history.

(56) **References Cited**

**U.S. PATENT DOCUMENTS**

- D260,975 S \* 9/1981 Lam ..... G01D 11/245 D10/106.5
- D283,407 S \* 4/1986 Fenne ..... D10/106.5
- D340,201 S 10/1993 Fenne et al.
- D360,374 S 7/1995 Anderson et al.
- D386,103 S 11/1997 Kawabata
- D422,521 S 4/2000 Morrow
- D426,482 S 6/2000 Sakurai et al.
- D621,287 S \* 8/2010 Kaneko ..... D10/106.5
- D641,645 S \* 7/2011 Suzuki ..... D10/106.5
- D653,575 S \* 2/2012 Treharne ..... D10/106.5

- D675,948 S 2/2013 Kawaguchi et al.
- D700,095 S 2/2014 Dohi et al.
- 9,013,317 B2\* 4/2015 Brigham ..... G08B 17/107 340/630

(Continued)

**FOREIGN PATENT DOCUMENTS**

- CN 304187870 S 6/2017
- CN 306420643 S 3/2021

(Continued)

*Primary Examiner* — George D. Kirschbaum

*Assistant Examiner* — Lillian Windham

(74) *Attorney, Agent, or Firm* — Wolf, Greenfield & Sacks, P.C.

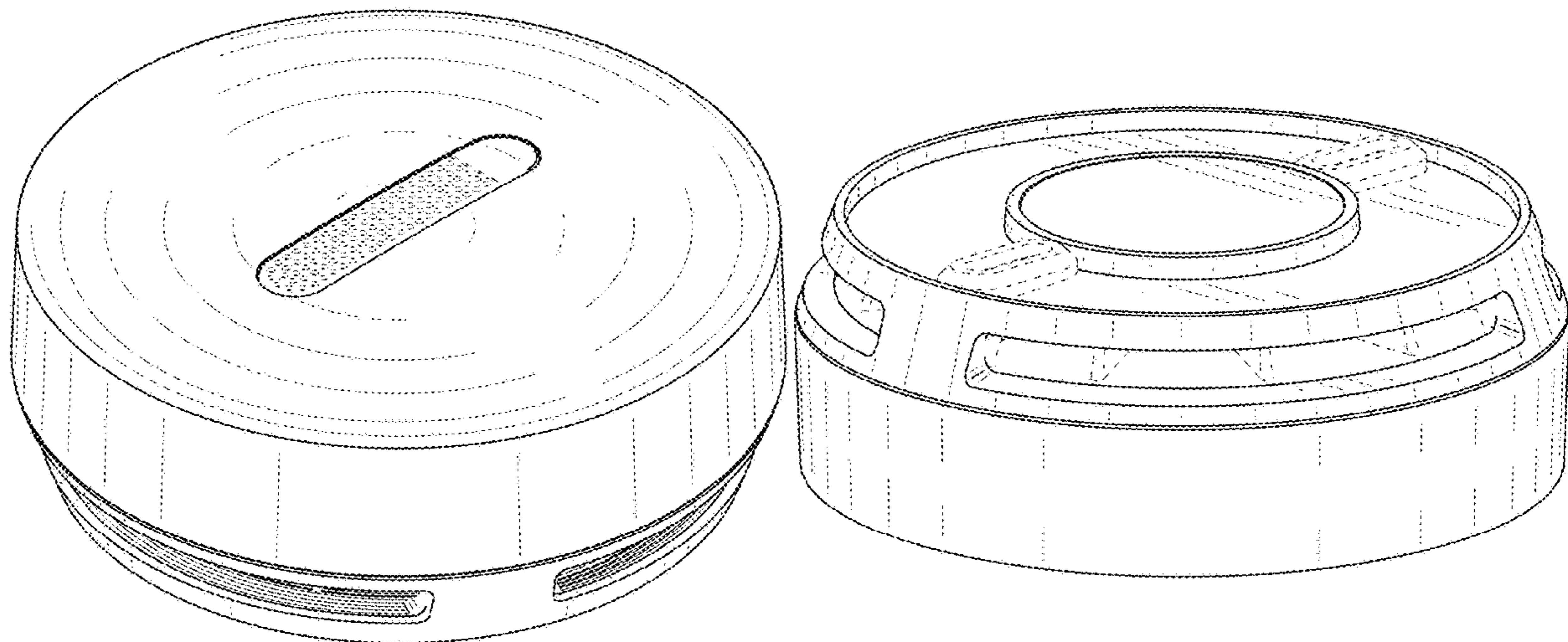
(57) **CLAIM**

The ornamental design for a smoke detector, as shown and described.

**DESCRIPTION**

FIG. 1 is a front view of the smoke detector;  
 FIG. 2 is a rear view thereof;  
 FIG. 3 is a left side view thereof;  
 FIG. 4 is a right side view thereof;  
 FIG. 5 is a top view thereof;  
 FIG. 6 is a bottom view thereof;  
 FIG. 7 is an inverted lower, front, right perspective view thereof;  
 FIG. 8 is an inverted lower, front, right perspective view thereof at a different angle than FIG. 7;  
 FIG. 9 is an upper, front, left perspective view thereof;  
 FIG. 10 is an inverted lower, front, right exploded view thereof having a detector body and detector mount separated from each other; and,  
 FIG. 11 is an upper, front, left exploded view thereof having the detector body and detector mount separated from each other.  
 Features shown in dashed lines form no part of the claimed design.

**1 Claim, 6 Drawing Sheets**



(56)

**References Cited**

U.S. PATENT DOCUMENTS

D743,465 S \* 11/2015 Aglassinger ..... D16/203  
D746,165 S \* 12/2015 Li ..... D10/104.1  
D785,473 S \* 5/2017 Zhao ..... D10/106.6  
D811,257 S 2/2018 Kalyan  
D811,917 S 3/2018 Bhat  
D813,072 S 3/2018 Kalyan  
D884,536 S \* 5/2020 Liu ..... D10/106.5  
D885,224 S 5/2020 Liu  
D887,300 S 6/2020 Fujiwara et al.  
D953,901 S \* 6/2022 Cound ..... D10/106.6  
11,359,941 B1 \* 6/2022 Futran ..... G01D 11/245

FOREIGN PATENT DOCUMENTS

EM 002163550-0001 S 1/2013  
EM 002163550-0002 S 1/2013  
EM 002163550-0003 S 1/2013  
EM 002163550-0004 S 1/2013  
EM 002163550-0005 S 1/2013  
EM 002163550-0006 S 1/2013  
JP D1347237 S 12/2008  
JP D1621800 S 1/2020  
TW 065021 S 2/1985  
TW D127242 S 11/2010  
TW D211107 S 4/2021

\* cited by examiner

FIG. 1

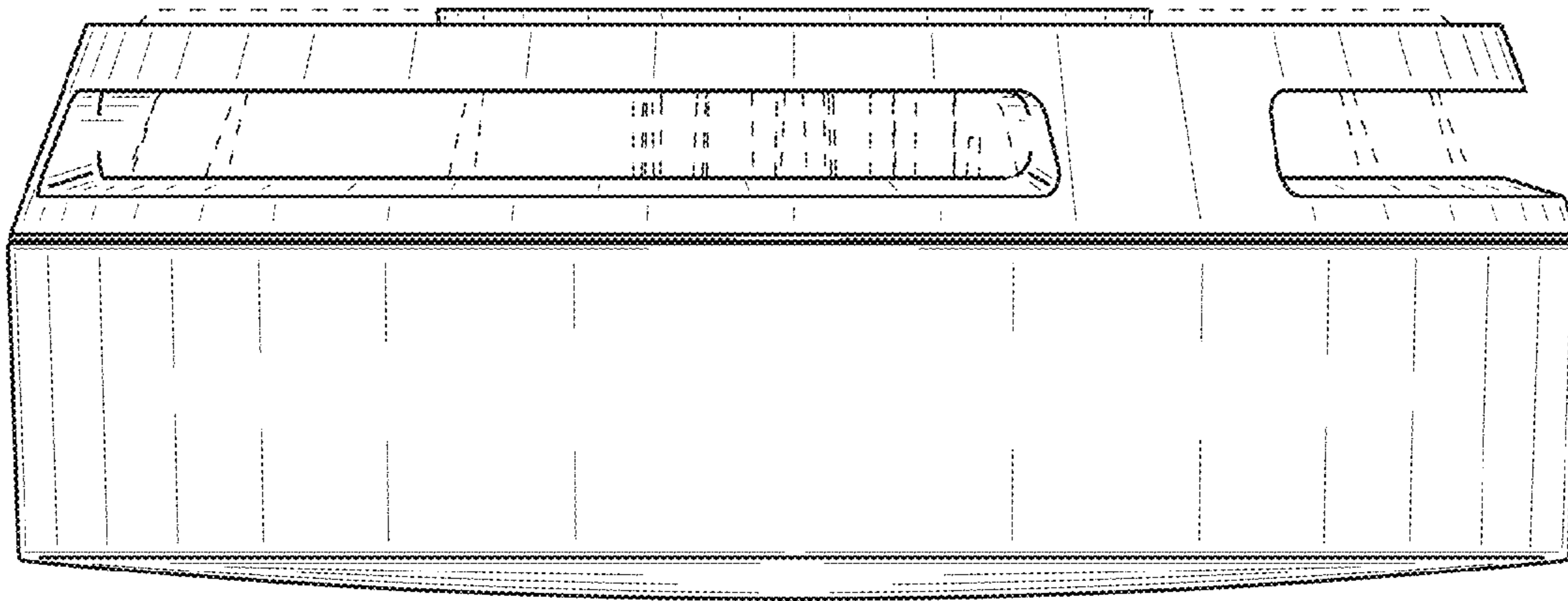


FIG. 2

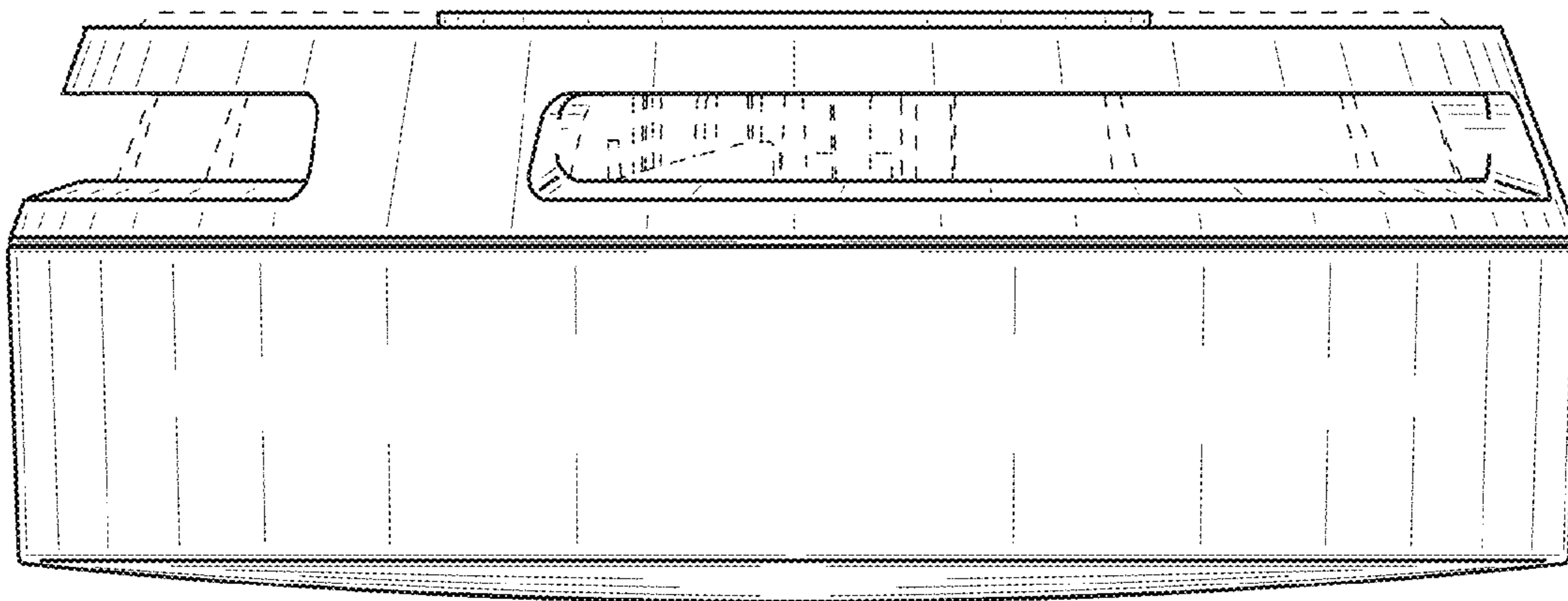


FIG. 3

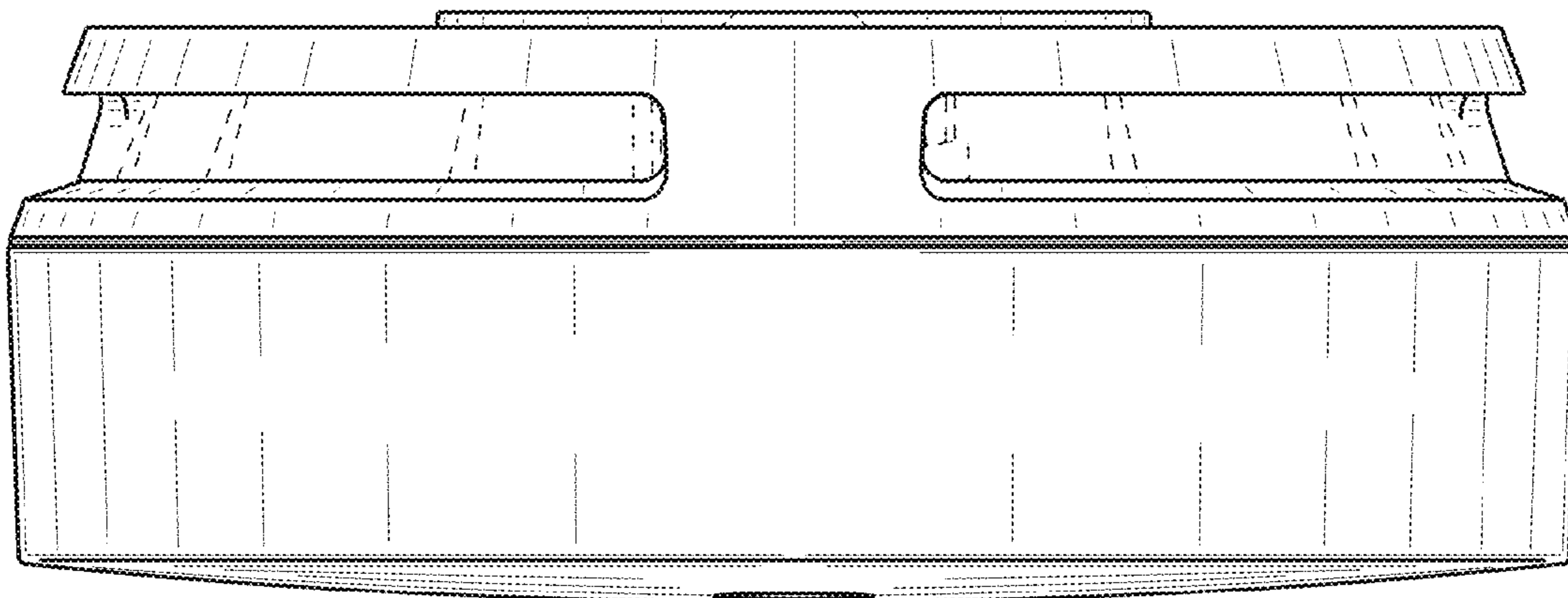


FIG. 4

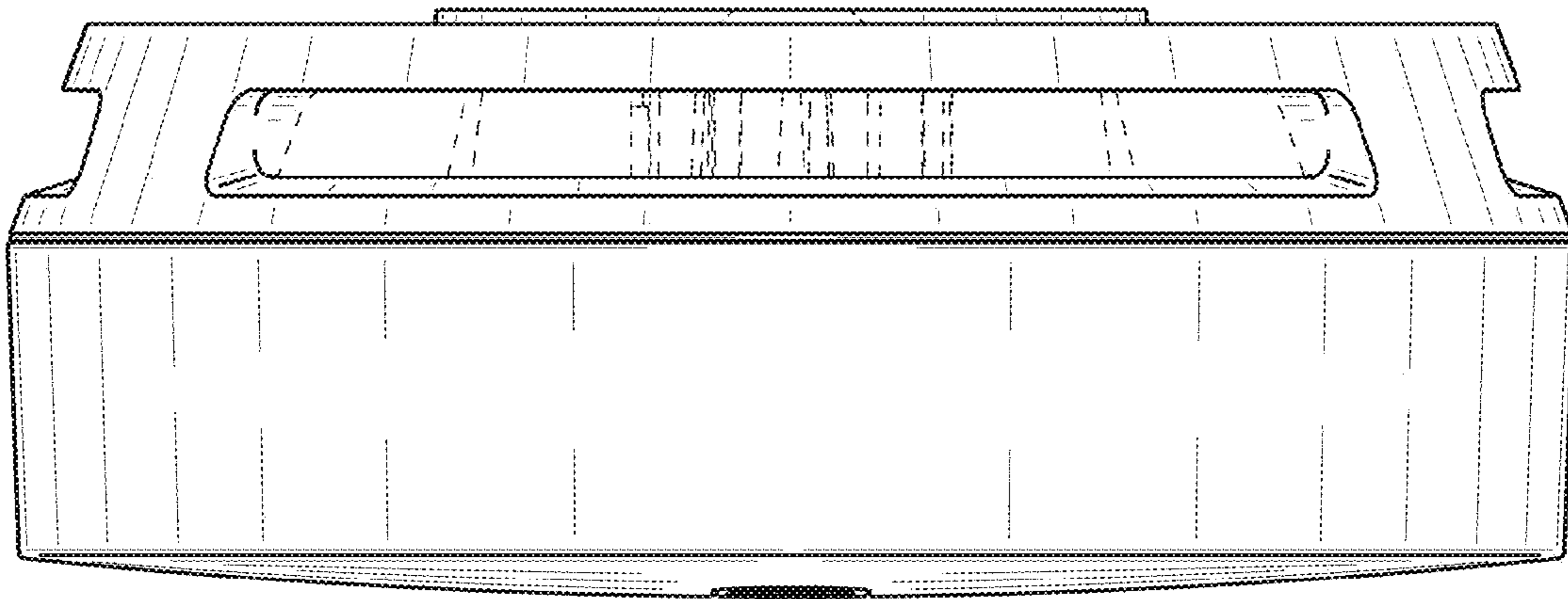


FIG. 5

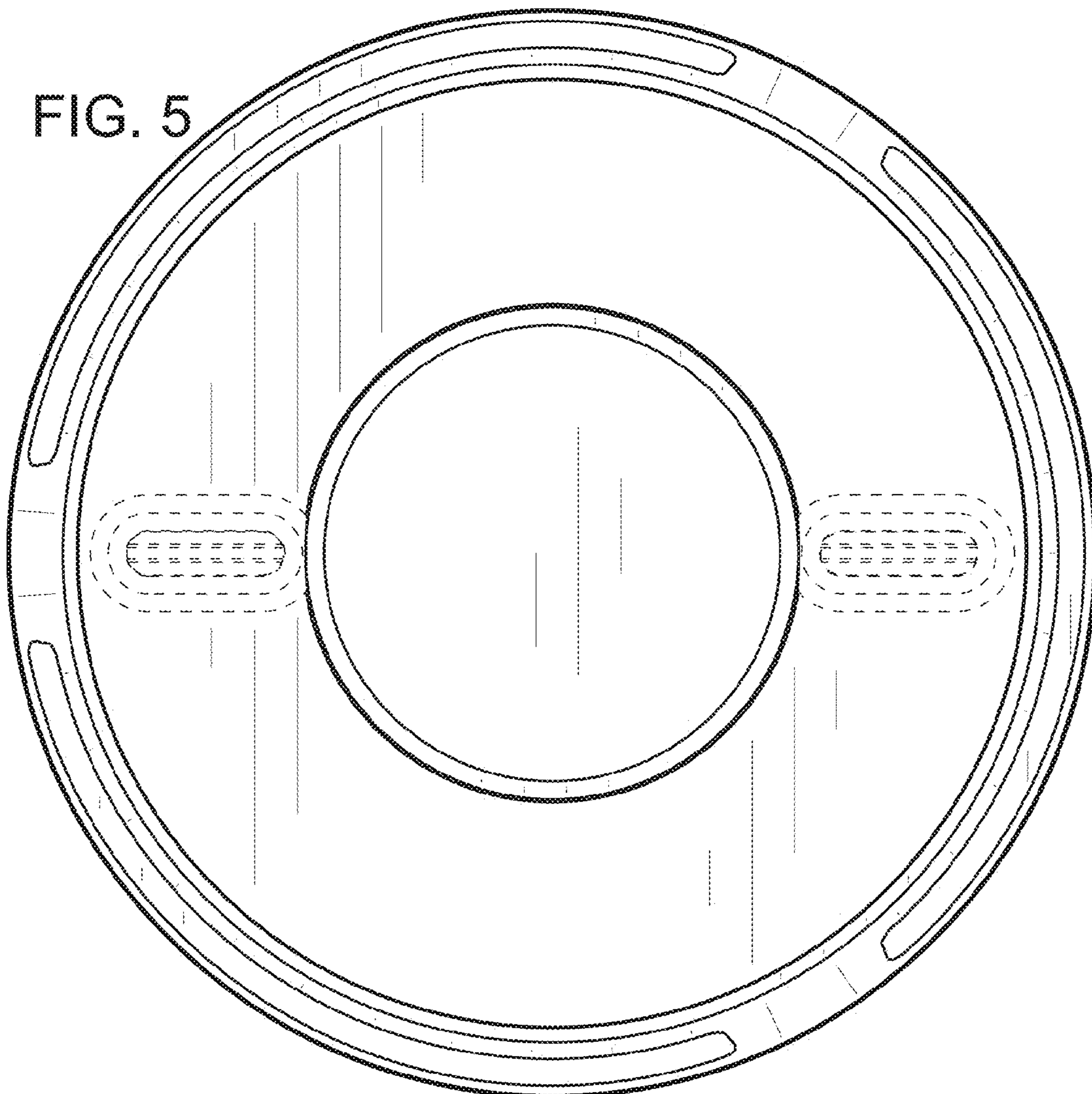


FIG. 6

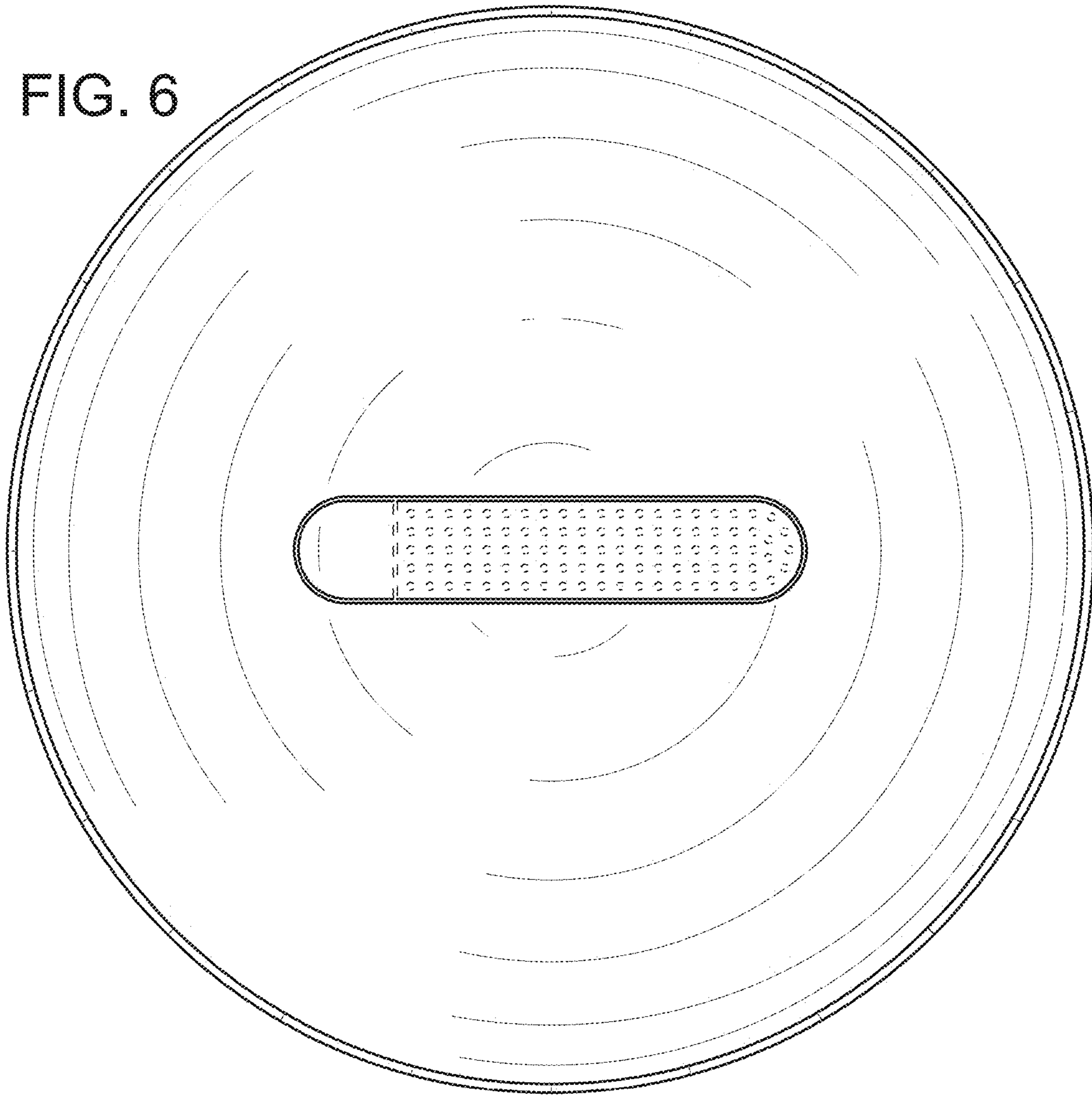


FIG. 7

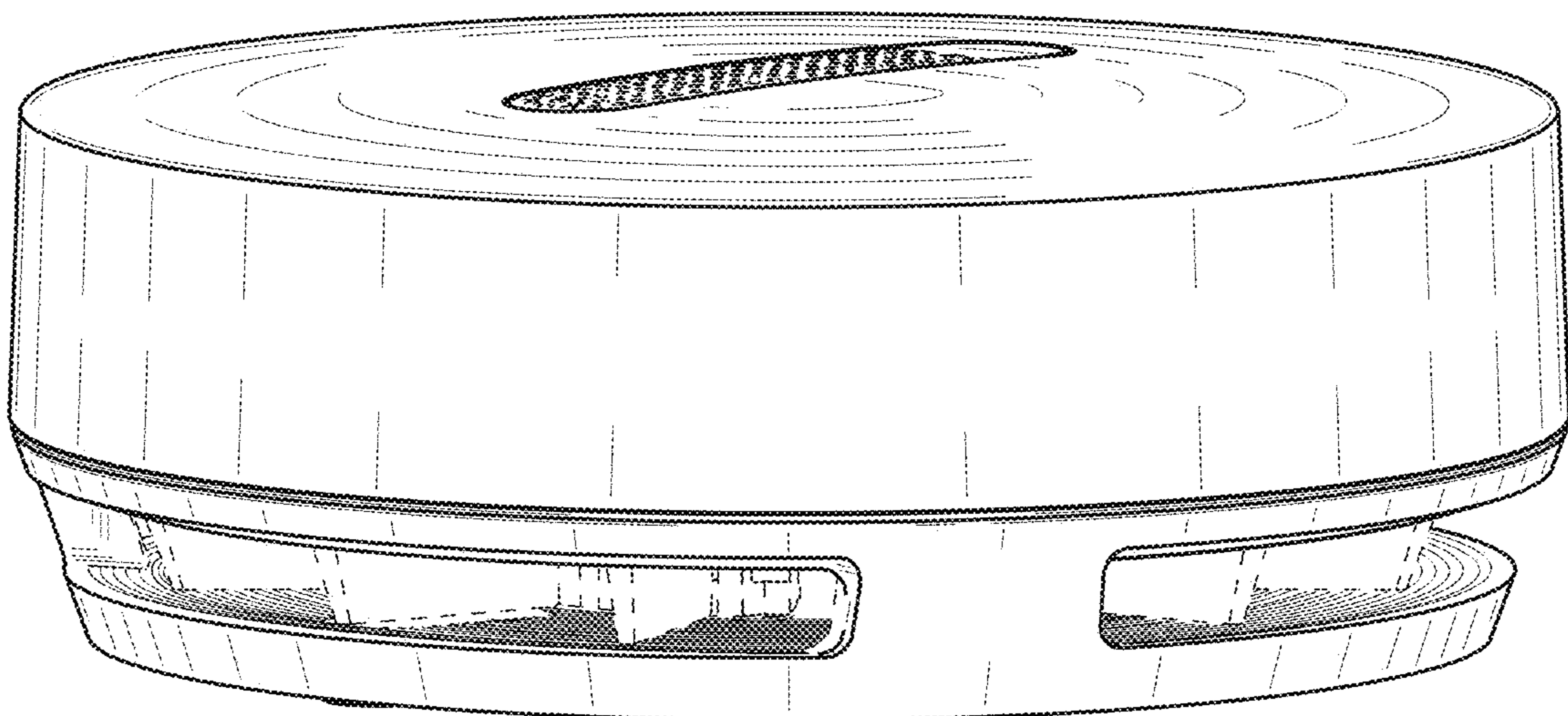


FIG. 8

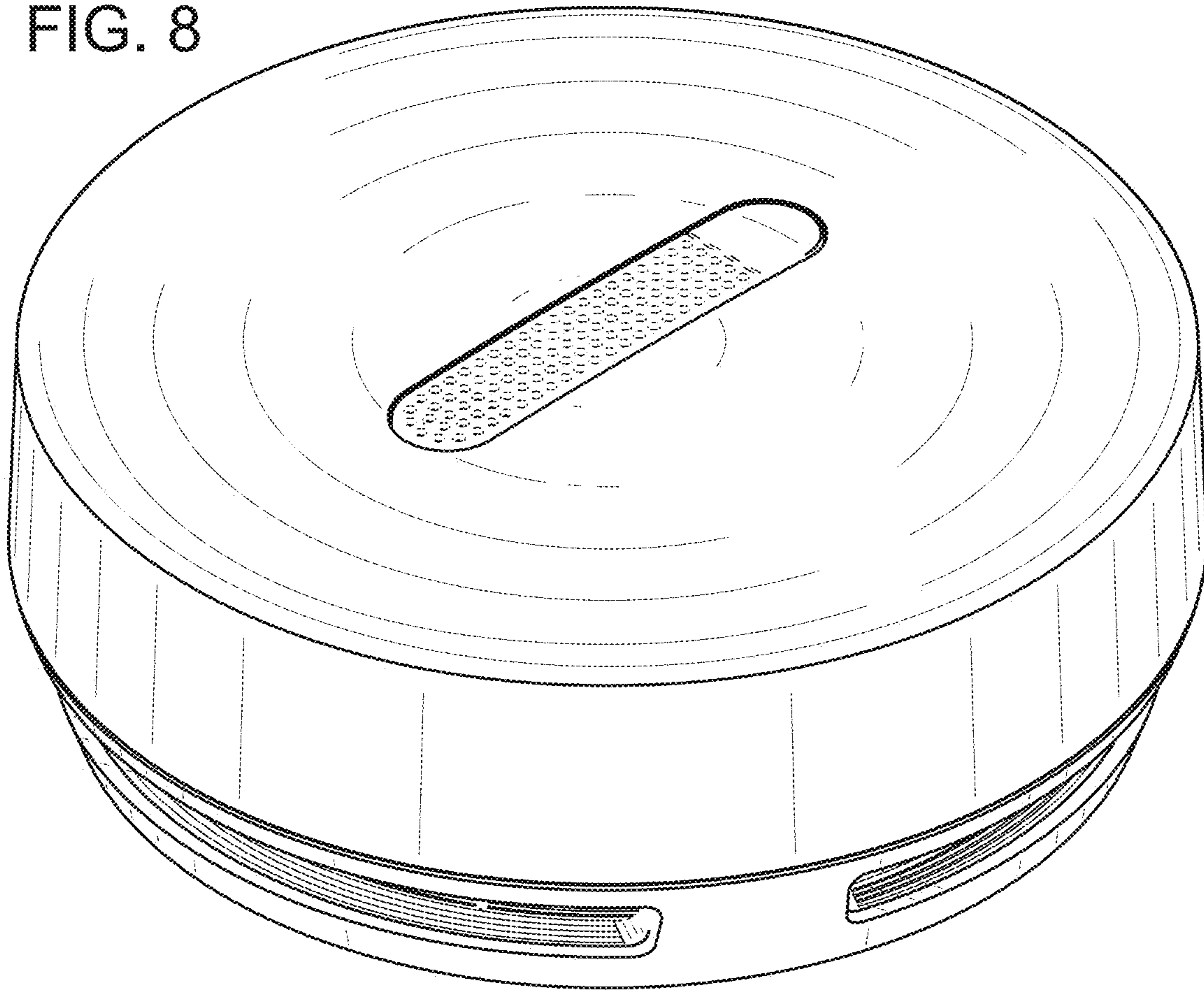


FIG. 9

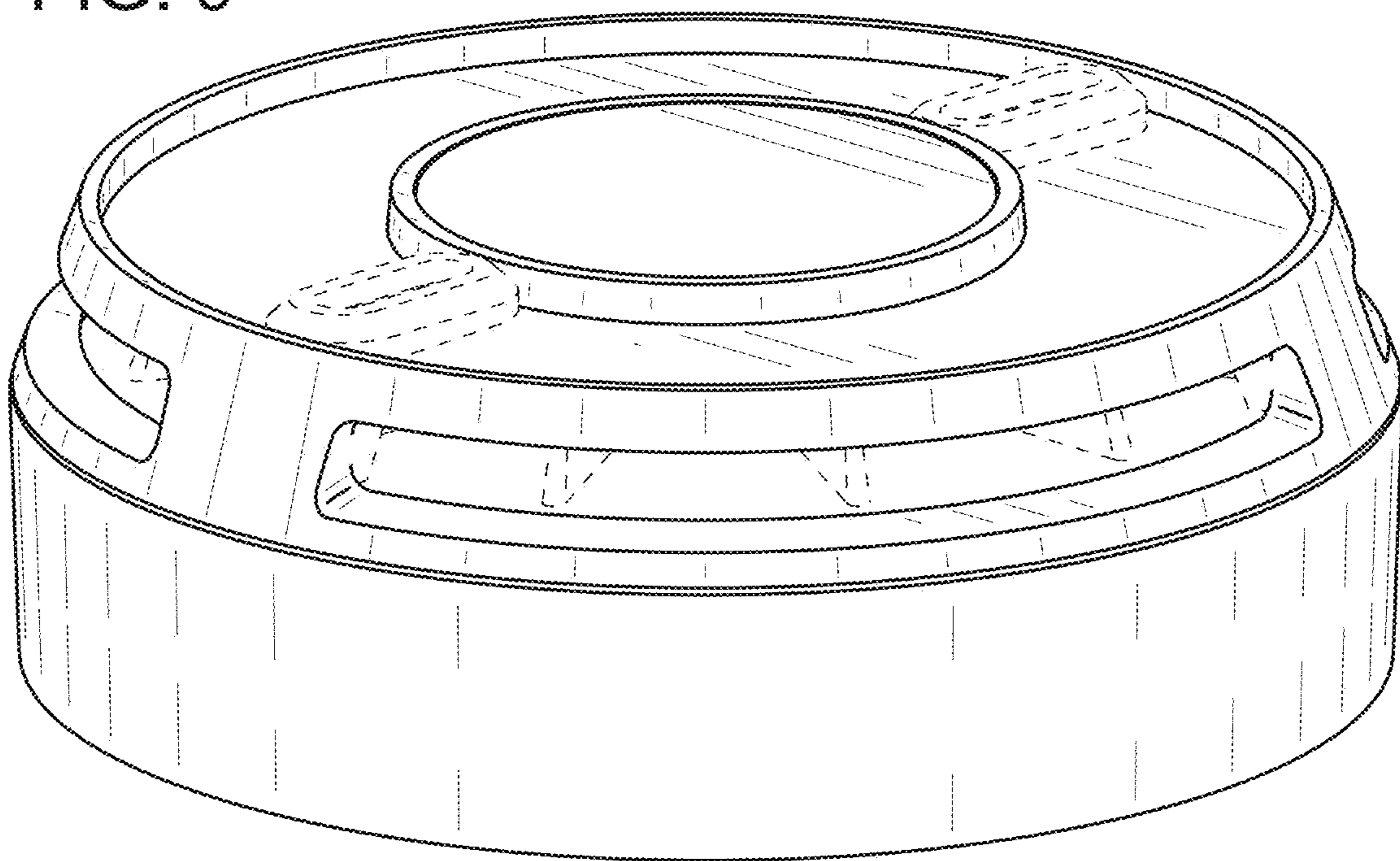


FIG. 10

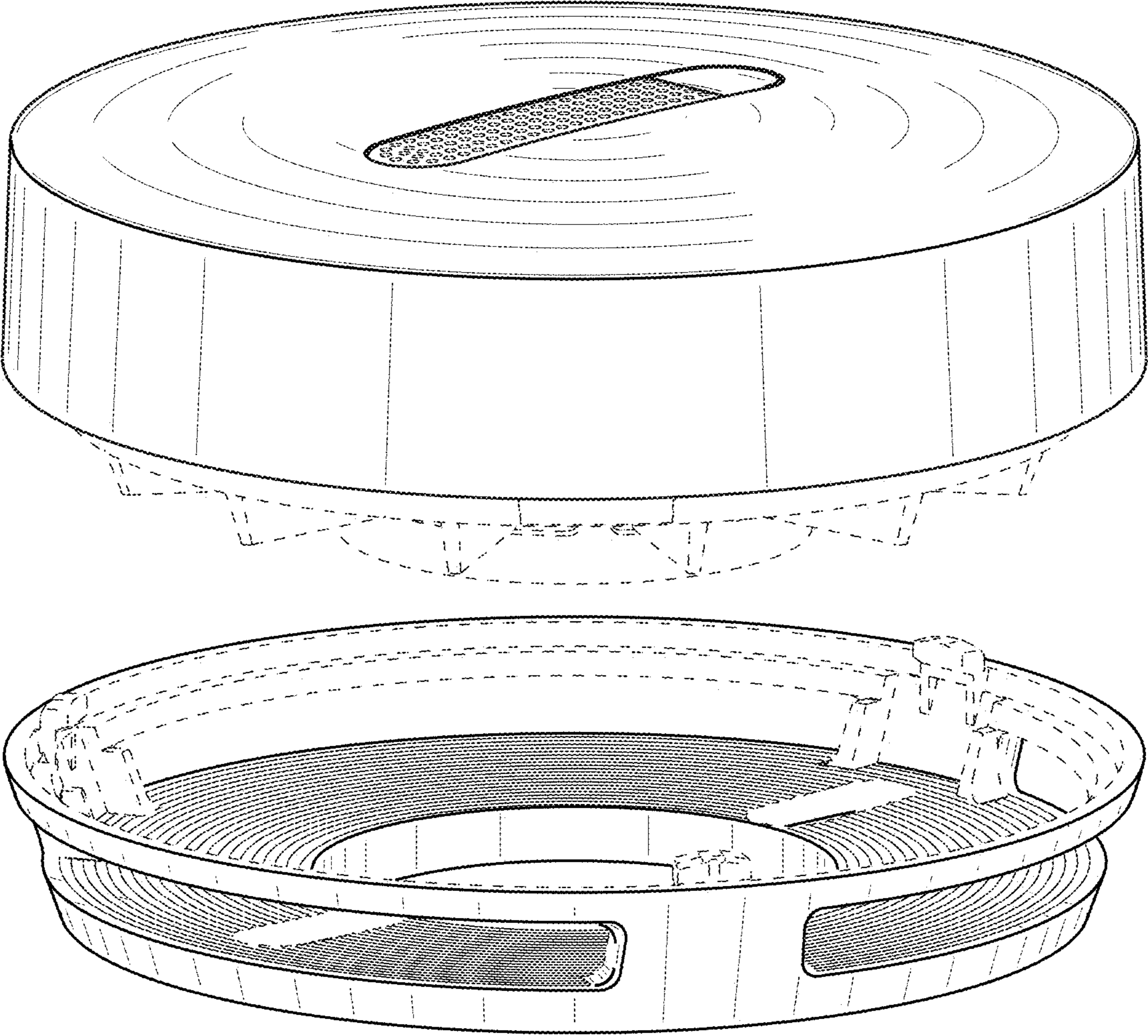


FIG. 11

