



US00D972425S

(12) **United States Design Patent**
Hu

(10) **Patent No.:** **US D972,425 S**

(45) **Date of Patent:** **** Dec. 13, 2022**

(54) **ELECTRONIC SCALE**

(71) Applicant: **Dongguan Shengheng Electronics Co., Ltd., Dongguan (CN)**

(72) Inventor: **Lianjian Hu, Xinyang (CN)**

(73) Assignee: **Dongguan Shengheng Electronics Co., Ltd., Dongguan (CN)**

(**) Term: **15 Years**

(21) Appl. No.: **29/787,647**

(22) Filed: **Jun. 8, 2021**

(51) **LOC (13) Cl.** **10-04**

(52) **U.S. Cl.**
USPC **D10/92**

(58) **Field of Classification Search**
USPC D10/83-97
CPC G01G 21/28; G01G 21/00; G01G 19/414;

G01G 19/4144; G01G 19/42; G01G 23/166; G01G 21/30; G01G 23/3728; G01G 23/3735; G01G 19/44; G01G 3/14; G01G 19/46; G01G 19/48; G01G 19/50; G01G 21/44; A61B 5/053; A61B 5/4872; A61B 5/0537; A61B 5/4869; A61B 5/6825; A61B 5/6829; A61B 5/7445; A61B 5/1072; G06Q 20/3678; G06Q 20/387; G06Q 20/065; G06Q 20/36; G06Q 20/06; G06Q 20/208; G09B 19/00; G16H 20/00; G16H 40/63; F16F 1/123

See application file for complete search history.

(56) **References Cited**

U.S. PATENT DOCUMENTS

D465,166 S * 11/2002 Sato D10/92
D524,672 S * 7/2006 Yamada D10/92
D680,456 S * 4/2013 Ogihara D10/92
D700,091 S * 2/2014 Ogihara D10/92
D700,092 S * 2/2014 Ogihara D10/92
D718,162 S * 11/2014 Kobayakawa D10/92
D726,566 S * 4/2015 Ogihara D10/92

D795,726 S * 8/2017 Hsu D10/92
D808,287 S * 1/2018 Liang D10/92
D860,841 S * 9/2019 Wang D10/92
D895,464 S * 9/2020 Wang D10/92

(Continued)

FOREIGN PATENT DOCUMENTS

CN 306209448 * 7/2020
CN 306669546 * 2/2021

(Continued)

OTHER PUBLICATIONS

Raindon, Food Scale, Date first available Feb. 1, 2021, [online]retrieved Feb. 24, 2022,available from [https://www.amazon.com/Raindon-Digital-Graduation-Batteries-Included/dp/B08VJ43ZFS/ref=sr_1_8?crid=1ANJGWP3VL0I&keywords=kitchen+board+scale&qid=1645745221&sprefix=ktichen+board+scale%2Caps%2C87&sr=\(Year:2021\).](https://www.amazon.com/Raindon-Digital-Graduation-Batteries-Included/dp/B08VJ43ZFS/ref=sr_1_8?crid=1ANJGWP3VL0I&keywords=kitchen+board+scale&qid=1645745221&sprefix=ktichen+board+scale%2Caps%2C87&sr=(Year:2021).)*

(Continued)

Primary Examiner — Keli L Hill
Assistant Examiner — Sara S Sahneh

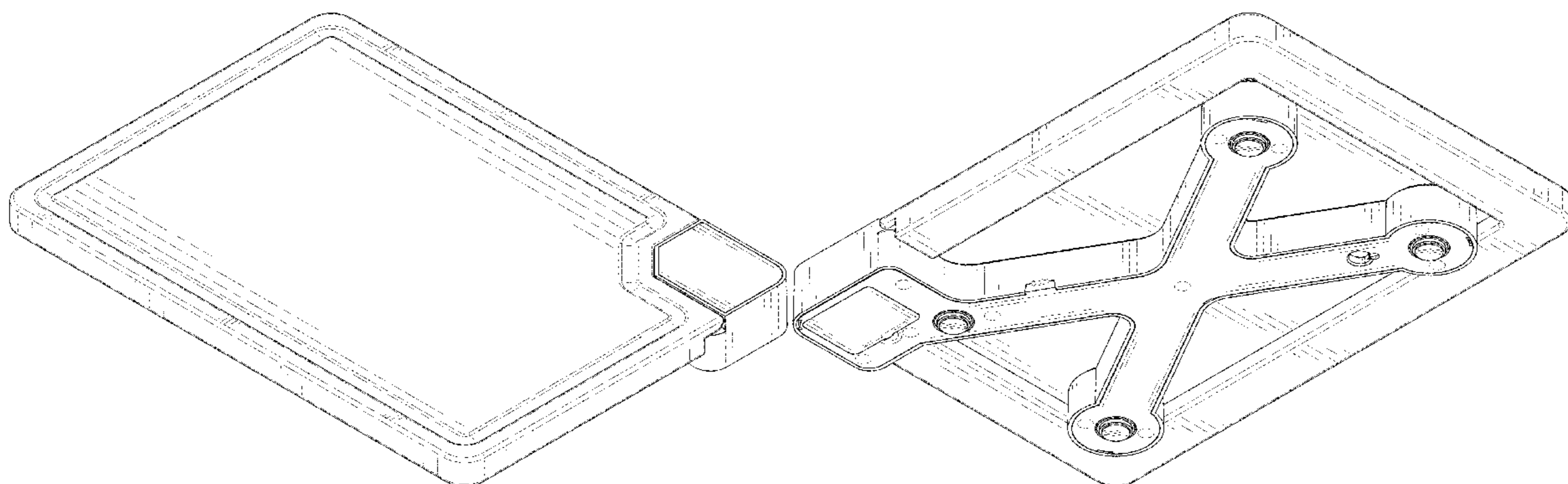
(57) **CLAIM**

The ornamental design for an electronic scale, as shown and described.

DESCRIPTION

FIG. 1 is a front and top perspective view of an electronic scale, showing my new design;
FIG. 2 is a rear and bottom perspective view thereof;
FIG. 3 is a front elevation view thereof;
FIG. 4 is a rear elevation view thereof;
FIG. 5 is a left side elevation view thereof;
FIG. 6 is a right side elevation view thereof;
FIG. 7 is a top plan view thereof; and,
FIG. 8 is a bottom plan view thereof.
The broken lines in the figures illustrate portions of the electronic scale that form no part of the claimed design.

1 Claim, 8 Drawing Sheets



(56)

References Cited

U.S. PATENT DOCUMENTS

2009/0183928 A1* 7/2009 Oseko G01G 23/3728
 177/211
 2018/0188103 A1* 7/2018 Bedetti G01G 3/13

FOREIGN PATENT DOCUMENTS

CN 306728951 * 4/2021
 CN 306933281 * 4/2021
 CN 306948884 * 8/2021
 EM 008526271-0009 * 4/2021

OTHER PUBLICATIONS

Nutri Fit Store, Food Scale, Date first available Dec. 4, 2017, [online]retrieved Feb. 24, 2022, available from https://www.amazon.com/Food-Scale-Removable-Cutting-Board/dp/B077XDR5LH/ref=sr_1_2?crid=1YOS128FX6RKR&keywords=scale+with+kitchen+board&qid=1645745679&srefix=scale+with+kitchen+board%2Caps%2C8 (Year: 2017).*

Rcruvh, Food Scale, Date first available Jul. 10, 2021, [online]retrieved Feb. 15, 2022, available from https://www.amazon.com/Rcruvh-Precision-9-8x6-6in-Stainless-Waterproof/dp/B0993FMJ65/ref=sr_1_97_sspa?crid=3KHK3JL74X1MQ&keywords=kitchen%2Bscale&qid=1644965984&srefix=kitchen%2Bscale%2Caps%2C75&sr=8-97 (Year: 2021).*

Suidreams Store, Food Scale, Date first available Aug. 7, 2021, [online]retrieved Feb. 12, 2022, available from https://www.amazon.com/dp/B09C2XT9DD/ref=sspa_dk_detail_4?psc=1&pd_rd_w=nUQym&pf_rd_p=54ed5474-54a8-4c7f-a88a-45f748d18166&pd_rd_wg=yfRaF&pf_rd_r=31FBVW0V7KV4Y6W0H55N&pd_rd_r=f0f66565-3076-420f-87 (Year: 2021).*

* cited by examiner

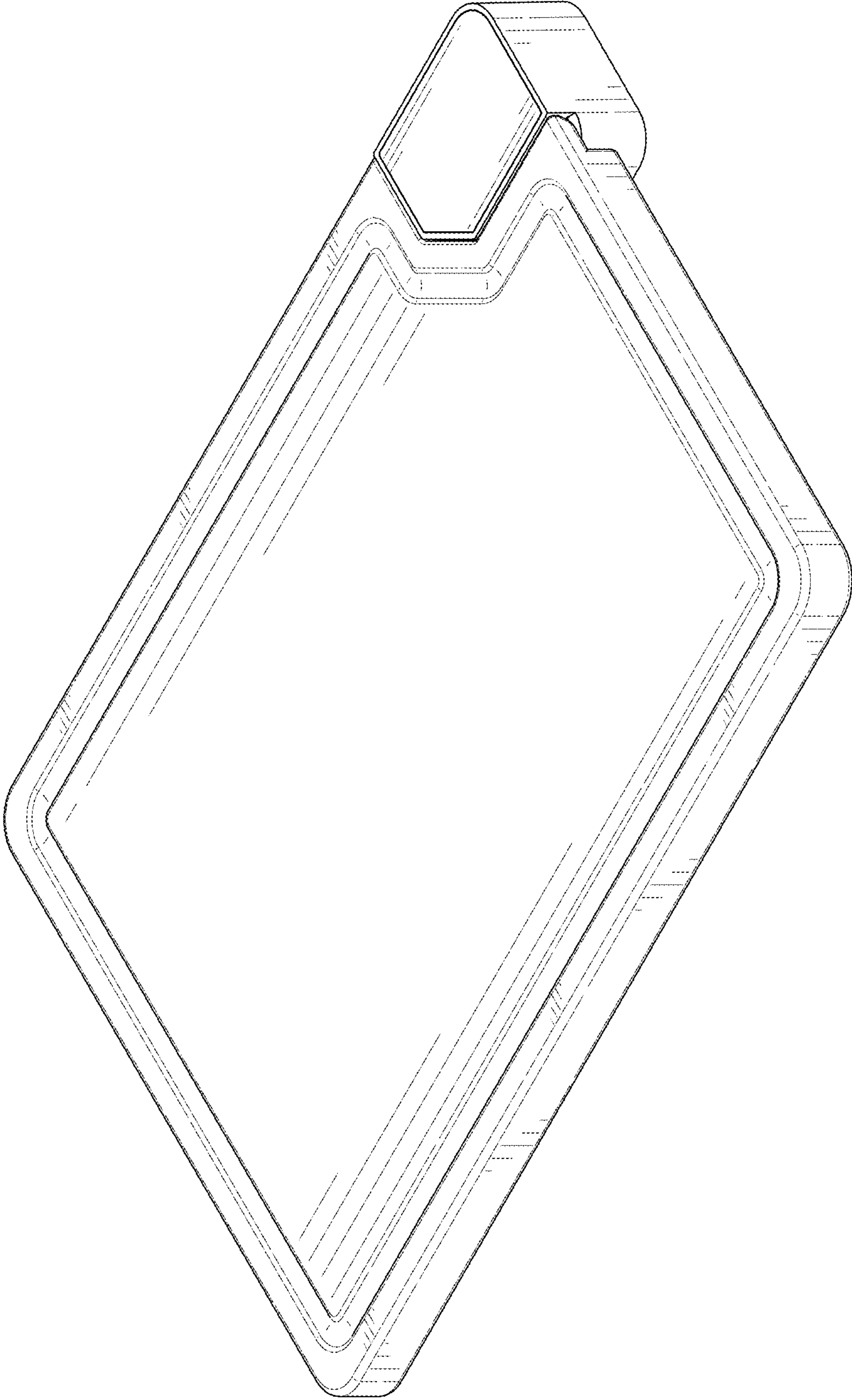


FIG. 1

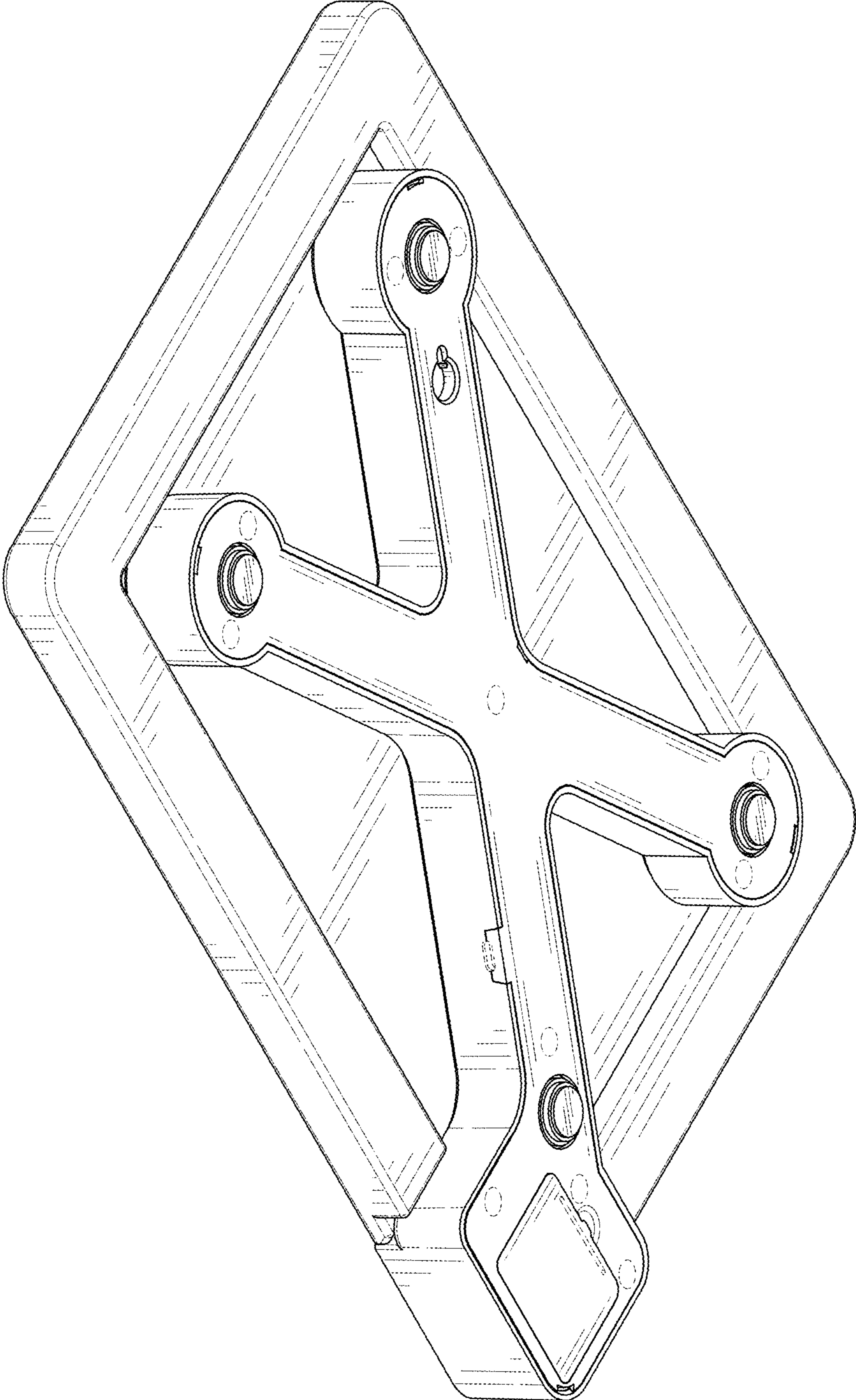


FIG. 2

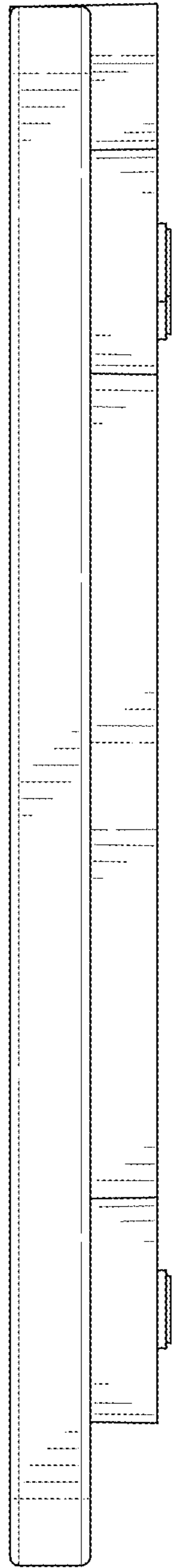


FIG. 3

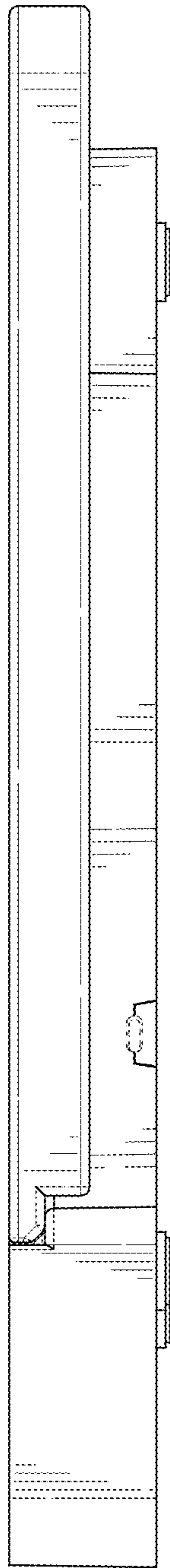


FIG. 4

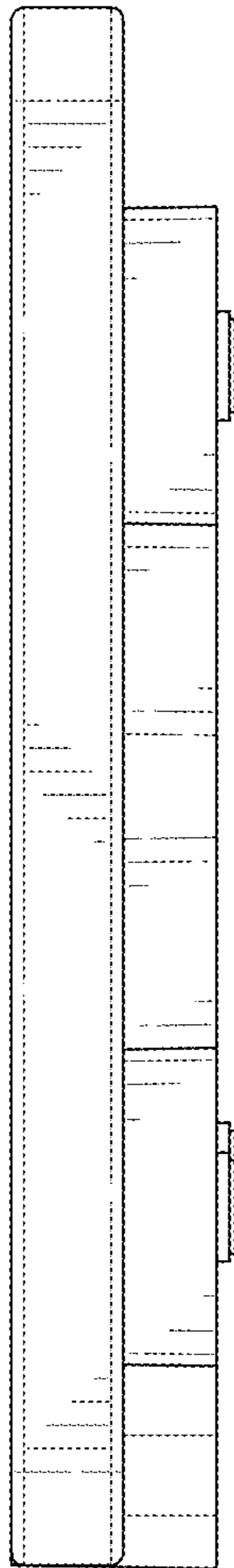


FIG. 5

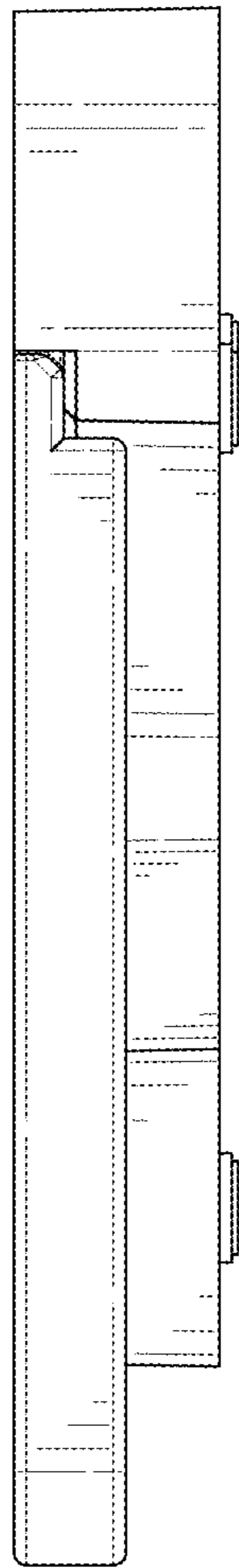


FIG. 6

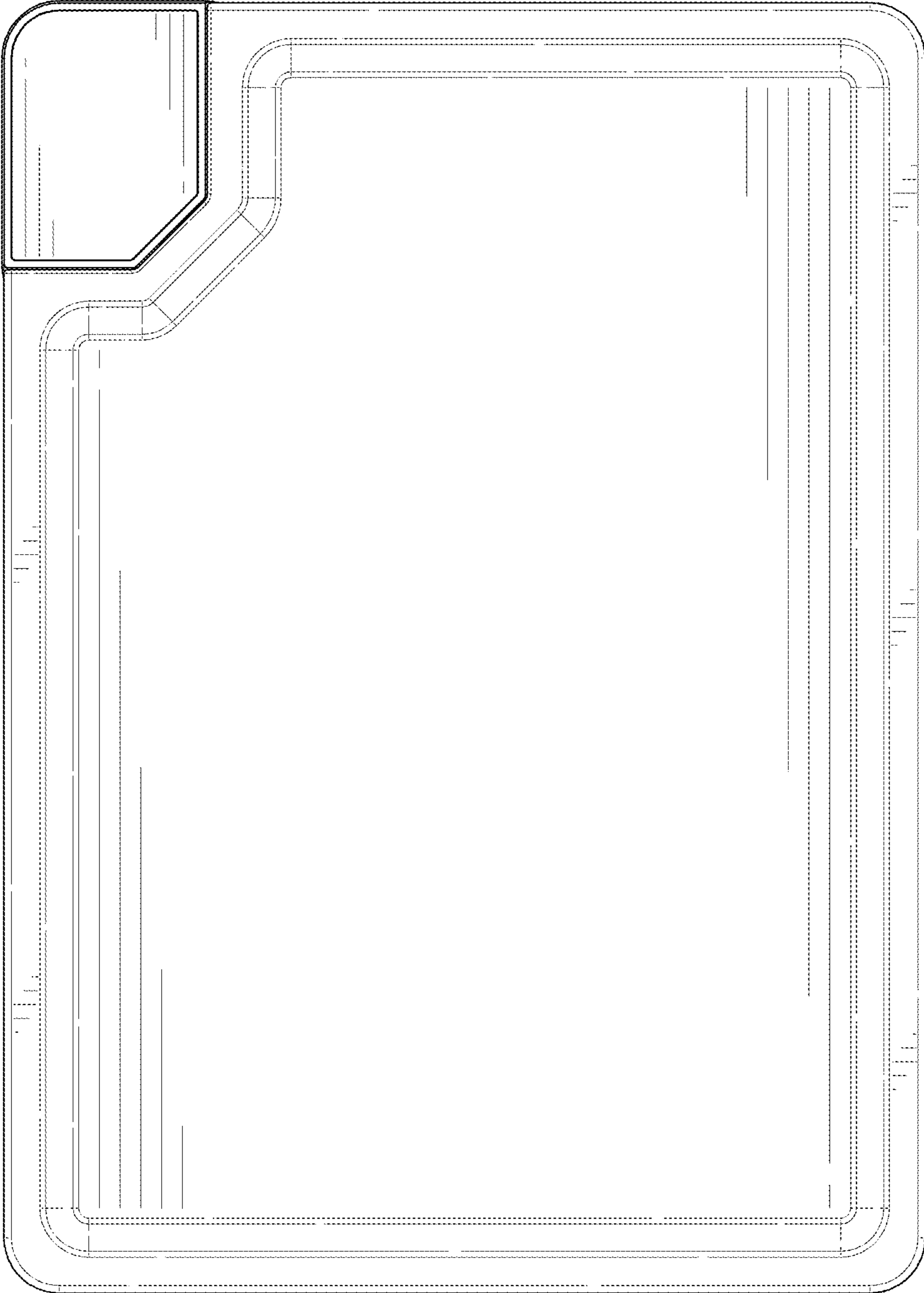


FIG. 7

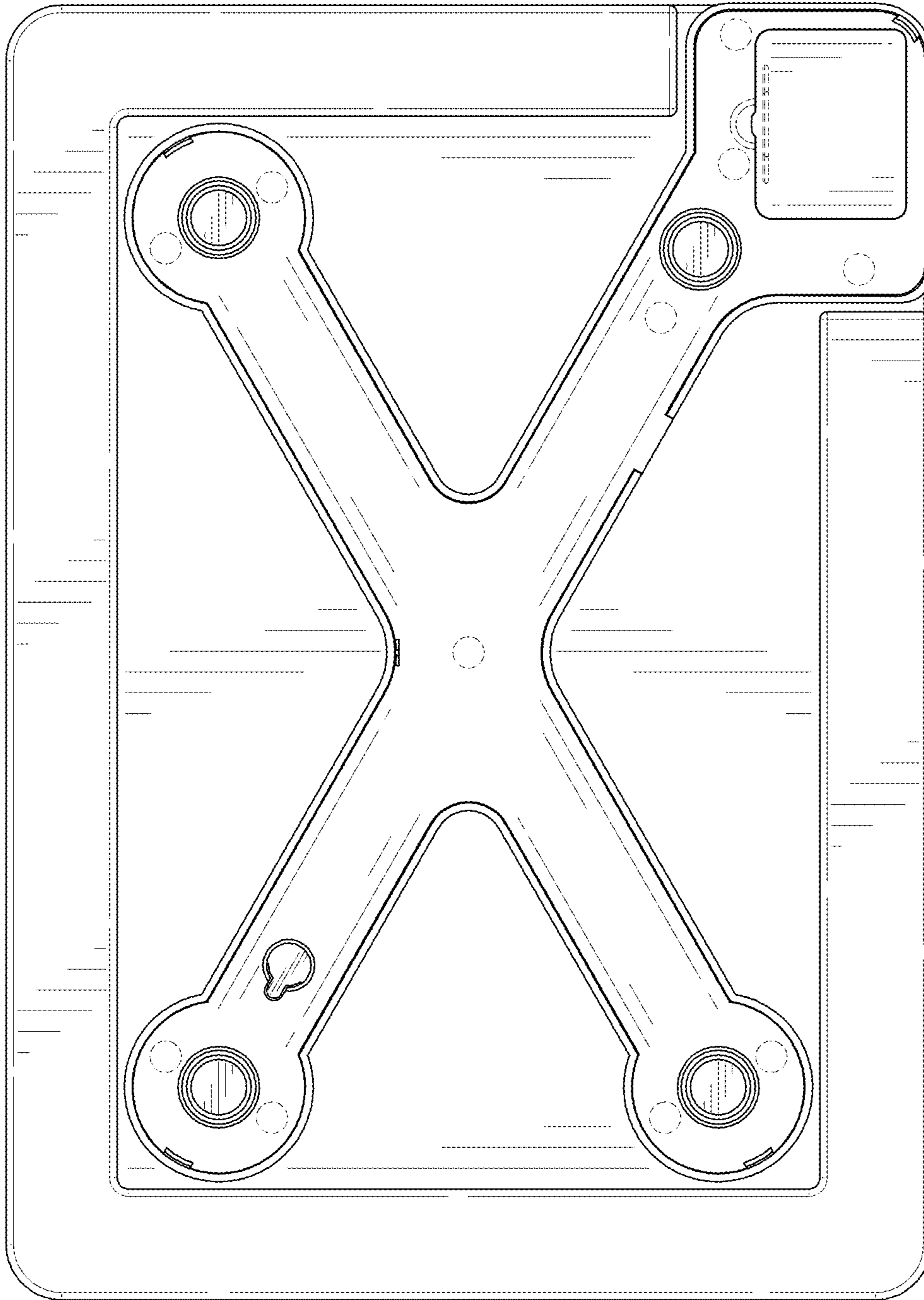


FIG. 8