



US00D972424S

(12) **United States Design Patent**
Hu

(10) **Patent No.:** **US D972,424 S**
(45) **Date of Patent:** **** Dec. 13, 2022**

(54) **ELECTRONIC SCALE**
(71) Applicant: **Dongguan Shengheng Electronics Co., Ltd., Dongguan (CN)**

D848,885 S * 5/2019 Xie D10/91
D848,887 S * 5/2019 Zhou D10/91
D850,958 S * 6/2019 Pan D10/91
D854,955 S * 7/2019 Hong D10/91
(Continued)

(72) Inventor: **Lianjian Hu, Xinyang (CN)**
(73) Assignee: **Dongguan Shengheng Electronics Co., Ltd., Dongguan (CN)**

FOREIGN PATENT DOCUMENTS

CN 304498275 * 8/2017
CN 304471938 * 9/2017
(Continued)

(**) Term: **15 Years**

(21) Appl. No.: **29/797,739**

OTHER PUBLICATIONS

(22) Filed: **Jul. 2, 2021**
(51) **LOC (13) Cl.** **10-04**
(52) **U.S. Cl.**

Smart Weigh Store,Digital Milligram Scale,Date first available Jul. 13, 2015, [online]retrieved Jan. 12, 2022,available from https://www.amazon.com/dp/B011J88S8M/ref=sspa_dk_detail_6?psc=1&spLa=ZW5jcnlwdGVkUXVhbGlmaWVyPUEyQVhSTUFHSUtnWFA1JmVuY3J5cHRIZEikPUEwNzI2MDIzMzUxWVdRSUhNMUNRRiZlbnNyeXB0ZWRBZEikPUEwO (Year: 2015).*

USPC **D10/91**
(58) **Field of Classification Search**
USPC D10/83-93
CPC G01G 21/28; G01G 21/00; G01G 19/414;

(Continued)

Primary Examiner — Keli L Hill
Assistant Examiner — Sara S Sahneh

G01G 19/4144; G01G 19/42; G01G 23/166; G01G 21/30; G01G 23/3728; G01G 23/3735; G01G 19/44; G01G 3/14; G01G 19/46; G01G 19/48; G01G 19/50; G01G 21/44; A61B 5/053; A61B 5/4872; A61B 5/0537; A61B 5/4869; A61B 5/6825; A61B 5/6829; A61B 5/7445; A61B 5/1072; G06Q 20/3678; G06Q 20/387; G06Q 20/065; G06Q 20/36; G06Q 20/06; G06Q 20/208; G09B 19/00; G16H 20/00; G16H 40/63; F16F 1/123
See application file for complete search history.

(57) **CLAIM**

The ornamental design for an electronic scale, as shown and described.

(56) **References Cited**

DESCRIPTION

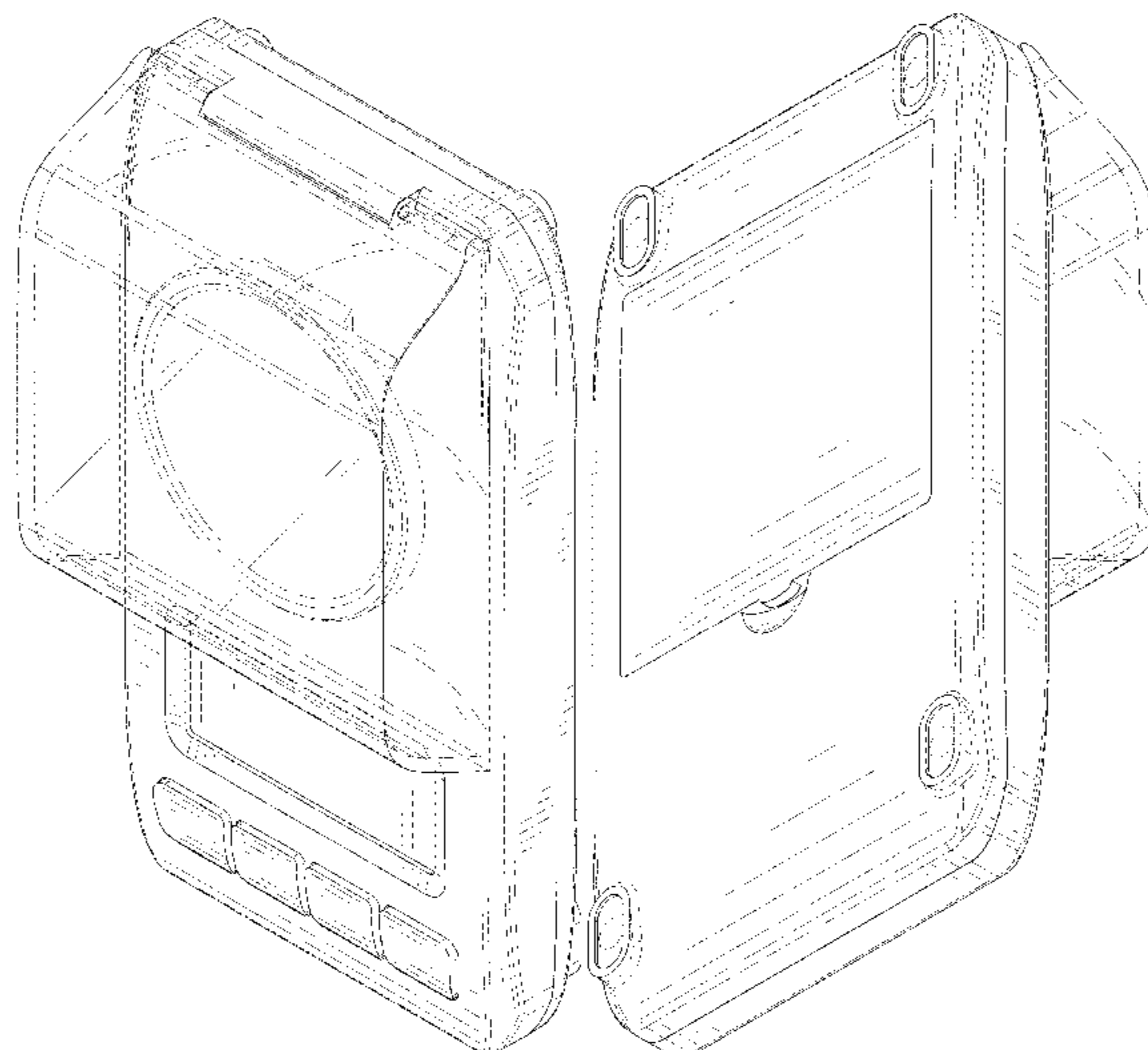
U.S. PATENT DOCUMENTS

D458,859 S * 6/2002 Dwertmann D10/91
D550,108 S * 9/2007 Kesselman D10/91
D622,623 S * 8/2010 Pohl D10/91
D622,624 S * 8/2010 Pohl D10/91
D650,714 S * 12/2011 Pan D10/92
D727,767 S * 4/2015 Wu D10/91
D838,200 S * 1/2019 Li D10/91

FIG. 1 is a front and top perspective view of an electronic scale, showing my new design;
FIG. 2 is a rear and bottom perspective view thereof;
FIG. 3 is a front elevation view thereof;
FIG. 4 is a rear elevation view thereof;
FIG. 5 is a left side elevation view thereof;
FIG. 6 is a right side elevation view thereof;
FIG. 7 is a top plan view thereof; and,
FIG. 8 is a bottom plan view thereof.

The broken lines in the figures illustrate portions of the electronic scale that form no part of the claimed design.

1 Claim, 8 Drawing Sheets



(56)

References Cited

U.S. PATENT DOCUMENTS

D864,003 S * 10/2019 Wu D10/91
 D870,579 S * 12/2019 Zong D10/91

FOREIGN PATENT DOCUMENTS

CN 305221042 * 11/2018
 EM 006085205-0001 * 1/2019
 EM 008006787-0002 * 6/2020
 EM 008526271-0001 * 4/2021
 EM 008526271-0003 * 4/2021

OTHER PUBLICATIONS

NEWACALOX Store, Milligram Scale, Date first available May 9, 2019, [online]retrieved Jan. 21, 2022, available from https://www.amazon.com/dp/B07NZ4TSBP/ref=sspa_dk_detail_3?spLa=ZW5jcnlwdGVkUXVhbGlmaWVyPUEySzVROVo3RUVEMIAxJmVuY3J5cHRIZEIkPUEwNTQzMDcyMjRRNVAwODFBTFZIUSZlbnNyeXB0ZWRBZEIkPUEwNjQxMjY0M0ZCVkVGOV (Year: 2019).*

HJCDMJ, Digital Milligram Pocket Scale, Date first available May 31, 2021, [online]retrieved Jan. 12, 2022, available from https://www.amazon.com/dp/B08ZYBB6RM/ref=sspa_dk_detail_9?psc=1&pd_rd_i=B08ZYBB6RM&pd_rd_w=MMmbJ&pf_rd_p=54ed5474-54a8-4c7f-a88a-45f748d18166&pd_rd_wg=jn9nT&pf_rd_r=0GERTYXRX3RGNP8KV14 (Year: 2021).*

Weightman Store, Milligram Scale, Date first available Nov. 27, 2019, [online]retrieved Jan. 21, 2022, available from https://www.amazon.com/dp/B07XK1WJY1/ref=sspa_dk_detail_3?psc=1p13NParams&spLa=ZW5jcnlwdGVkUXVhbGlmaWVyPUEwMzYwMjRSQ1FLRUVDVUEzTyZlbnNyeXB0ZWRBZEIkP (Year: 2019).*

* cited by examiner

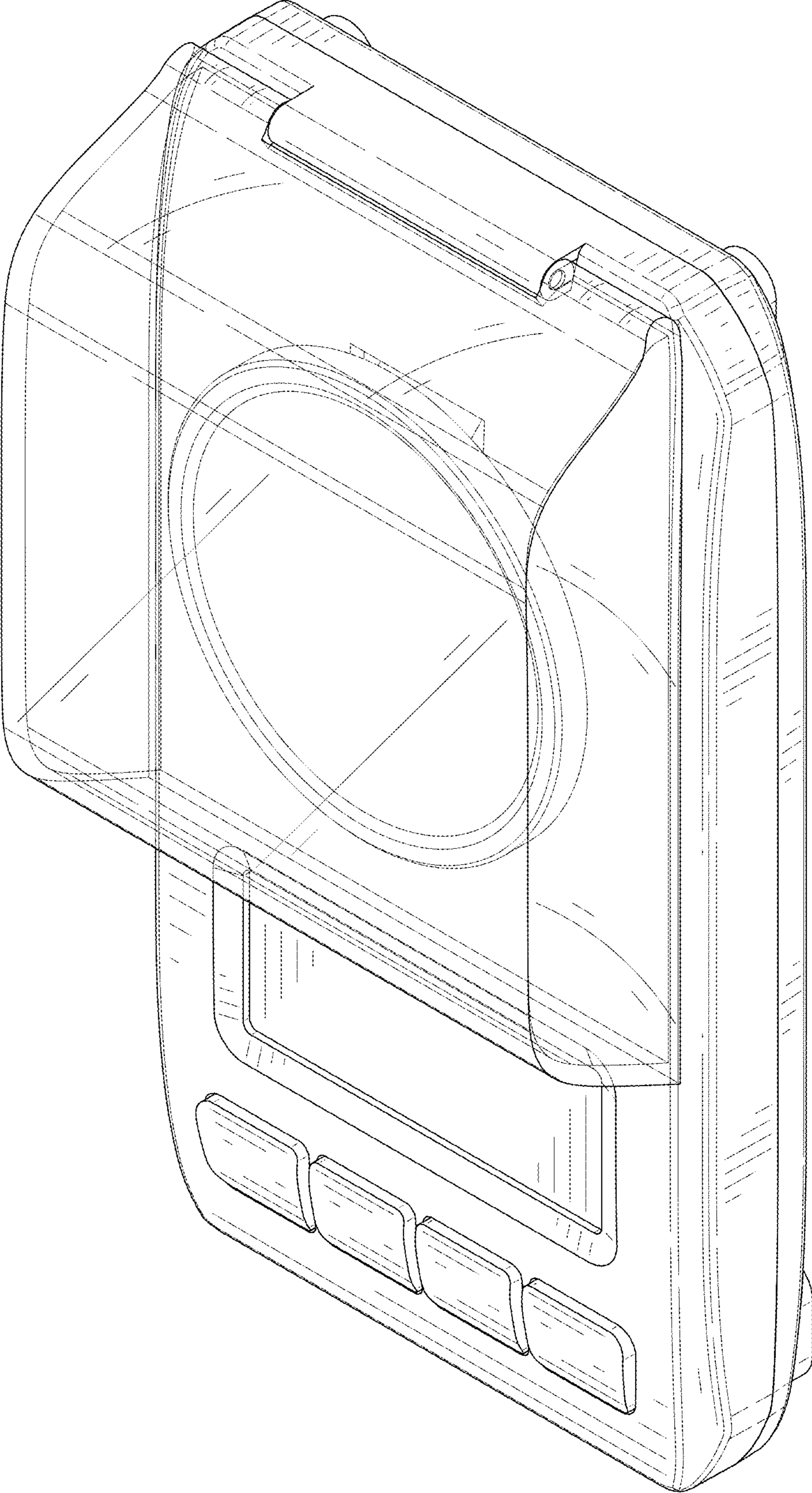


FIG. 1

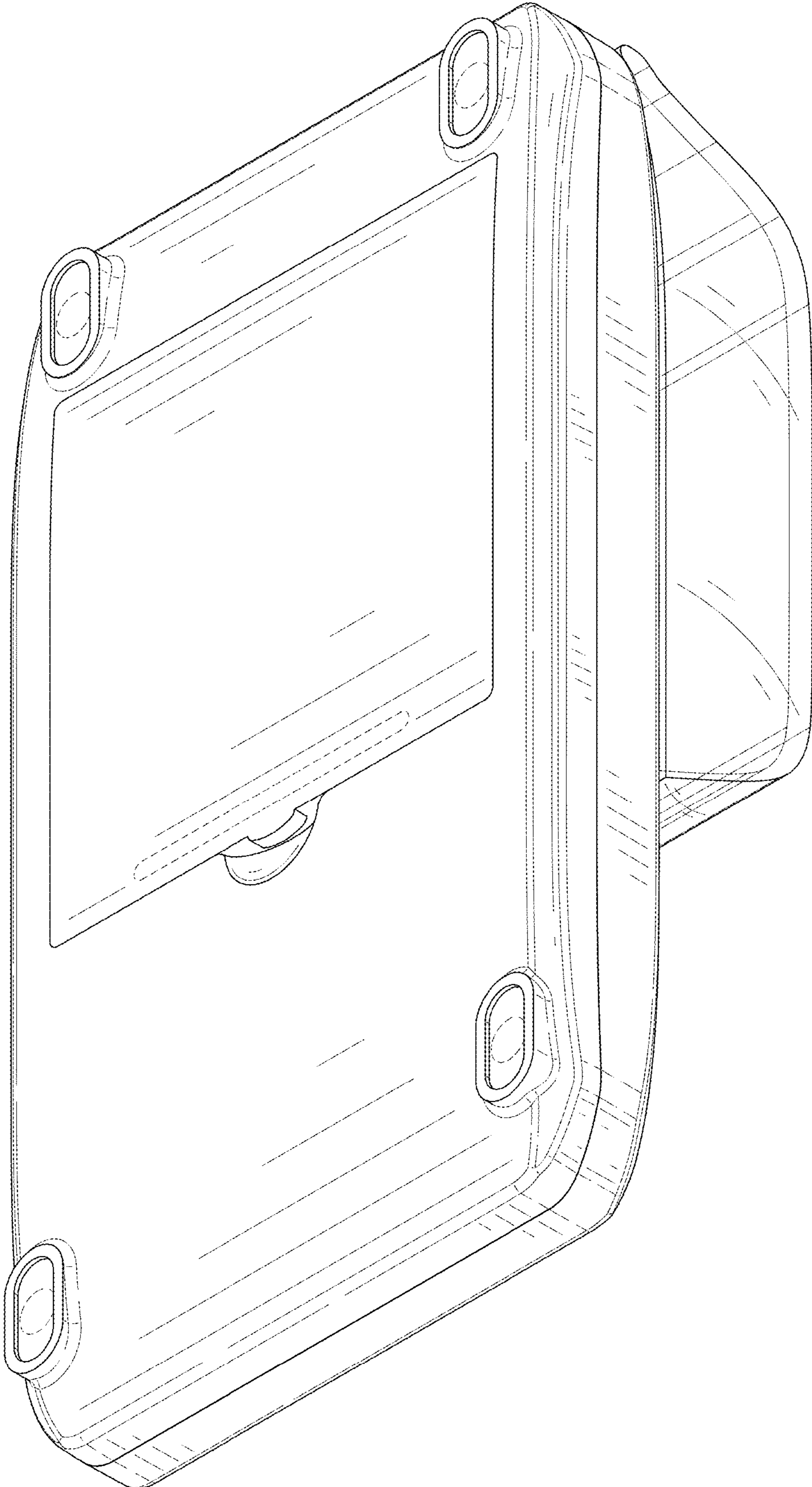


FIG. 2

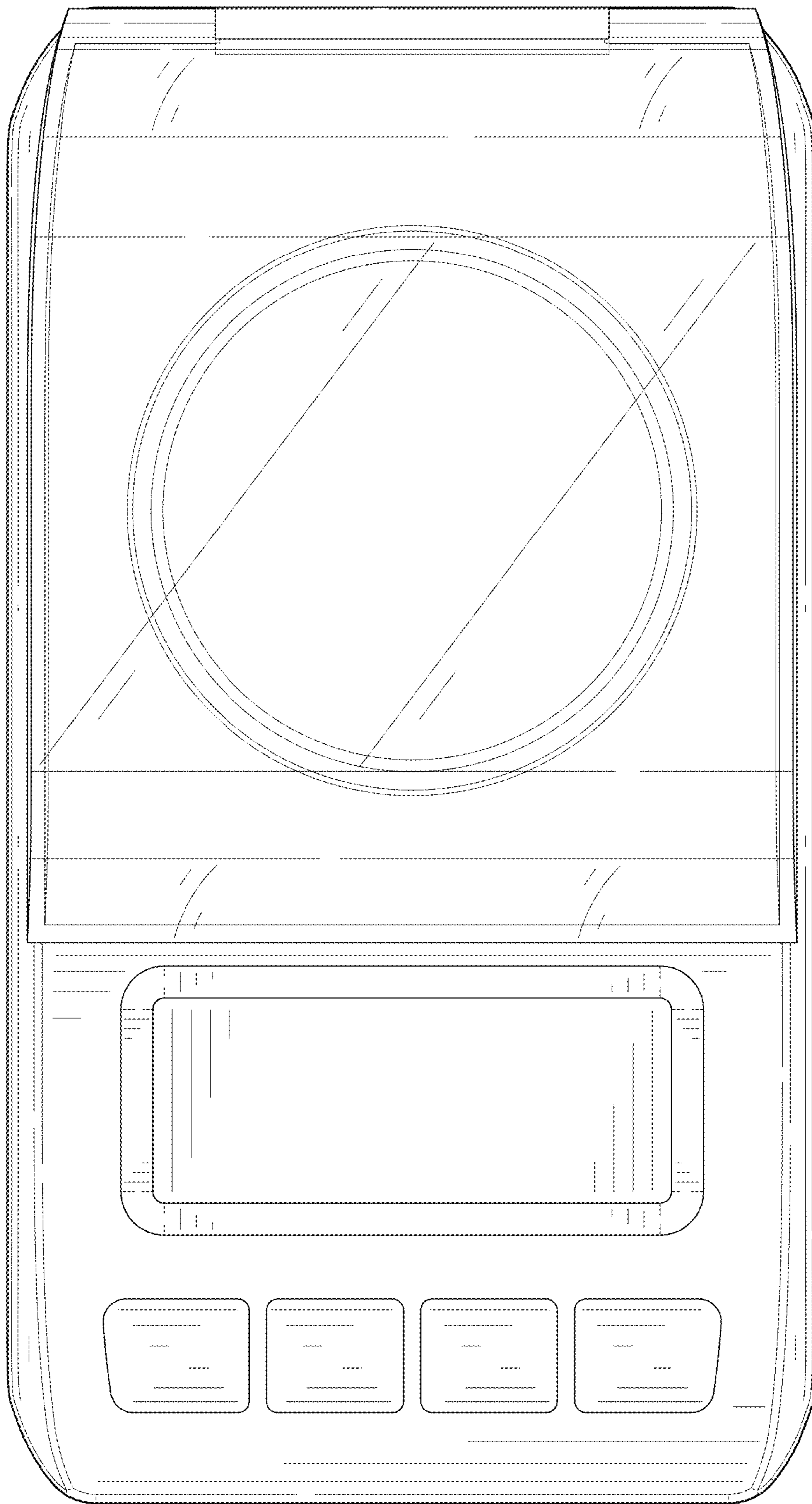


FIG. 3

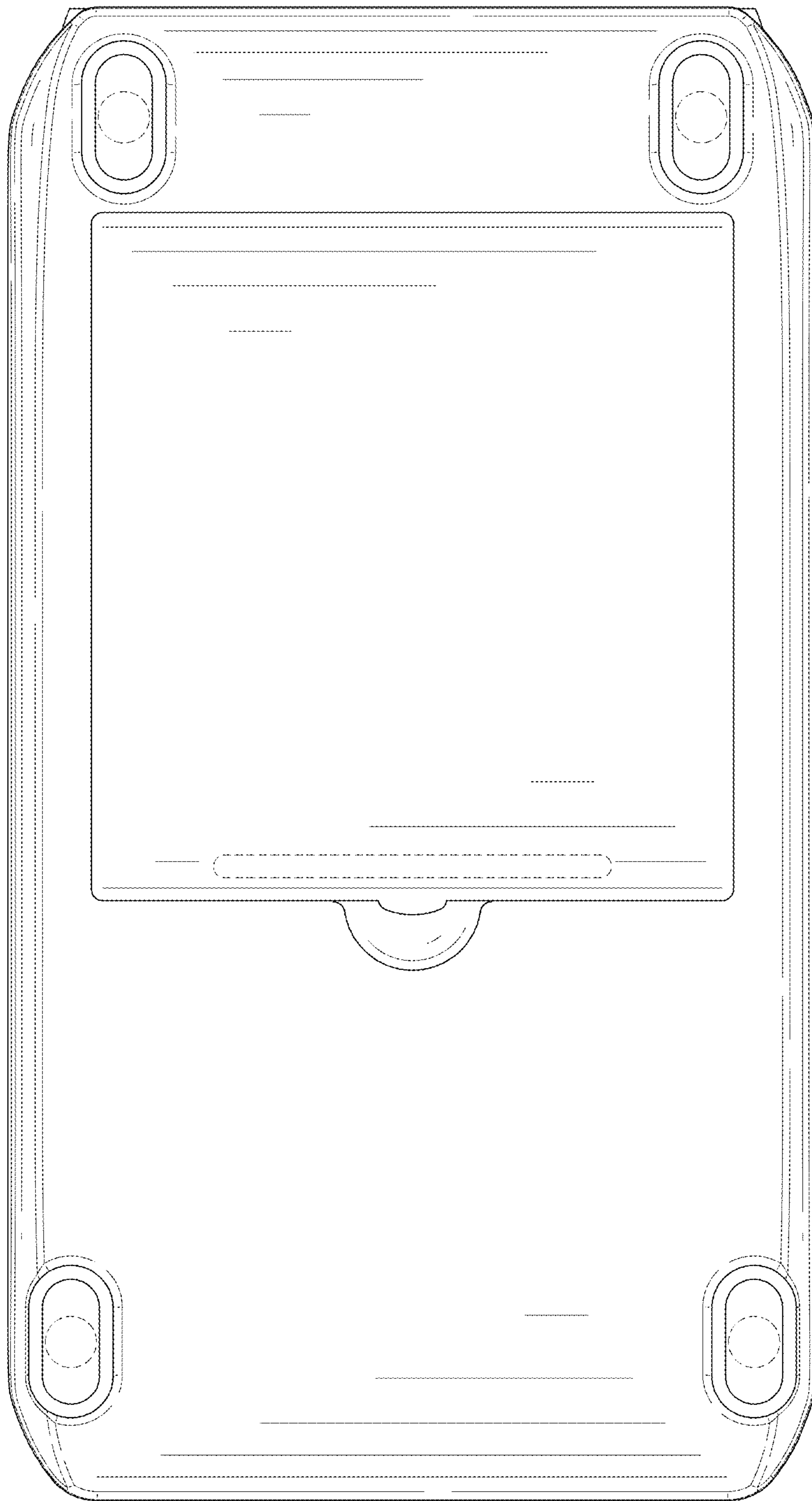


FIG. 4

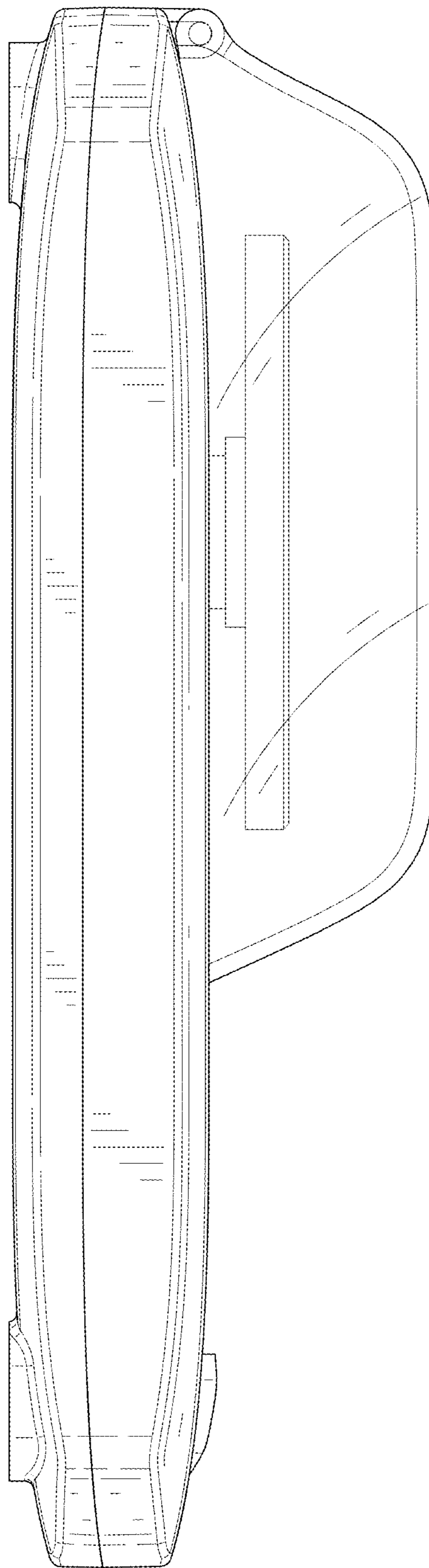


FIG. 5

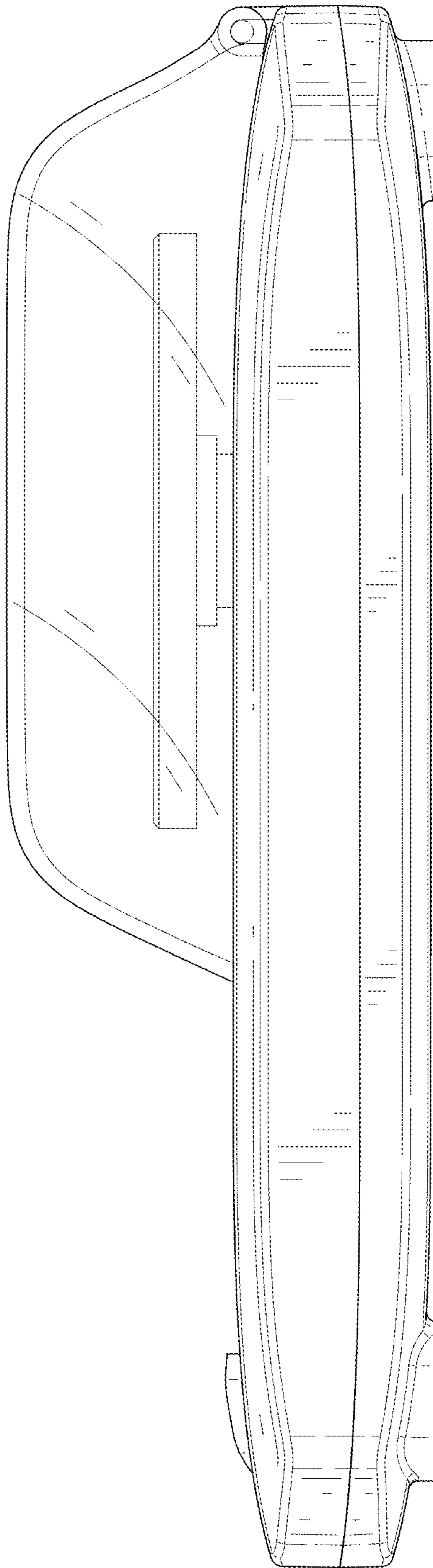


FIG. 6

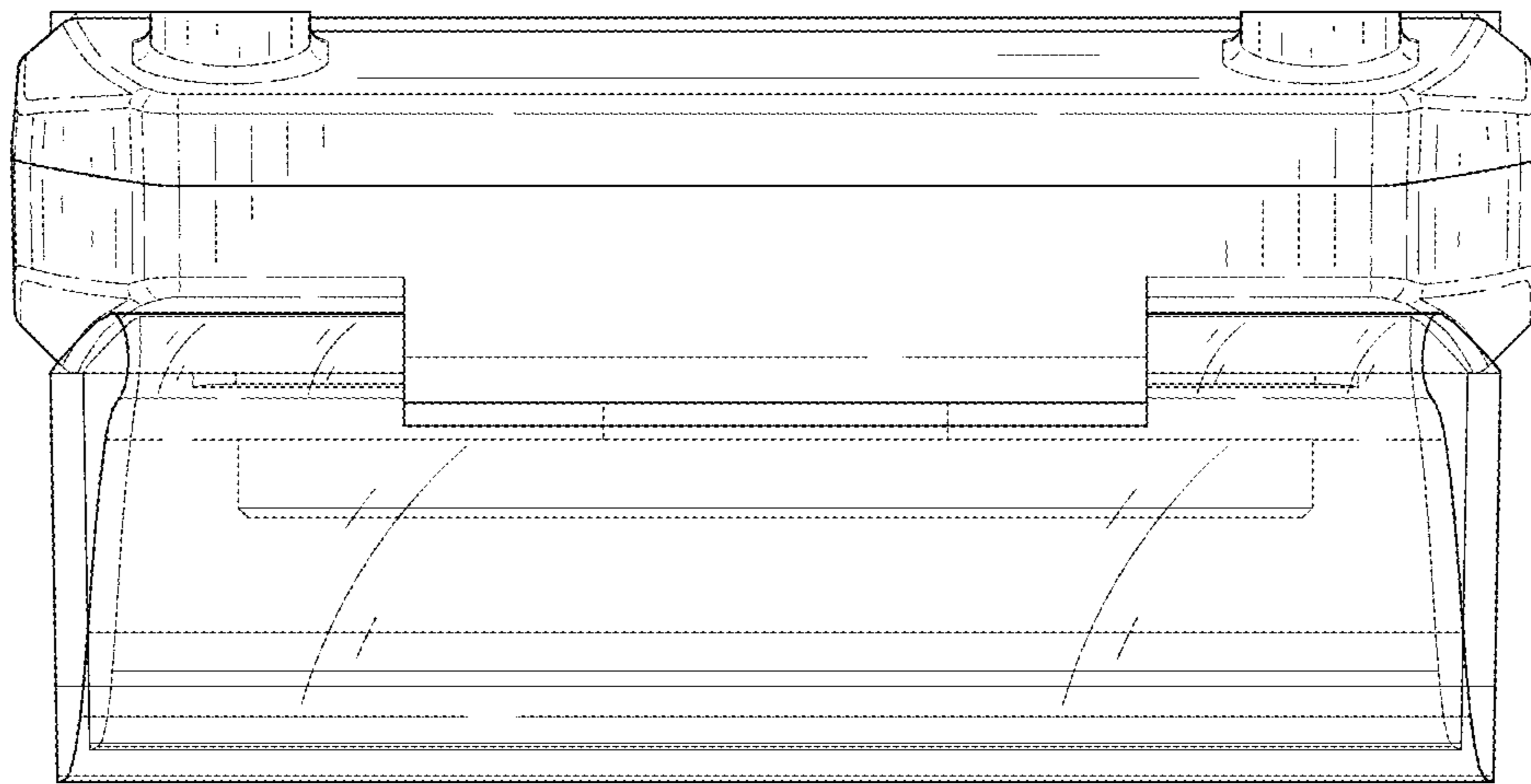


FIG. 7

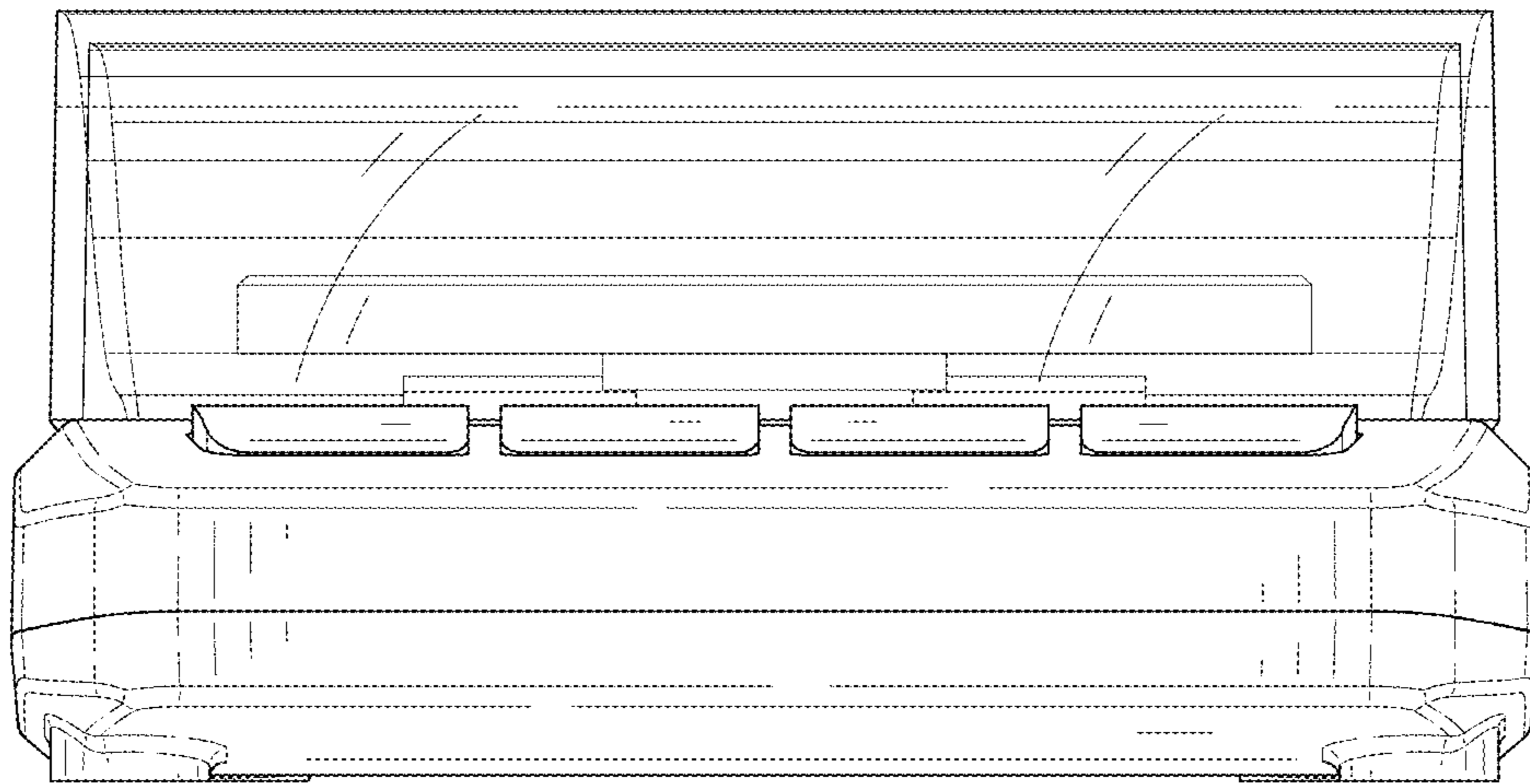


FIG. 8