



US00D972423S

(12) **United States Design Patent**  
**Hong**

(10) **Patent No.:** **US D972,423 S**

(45) **Date of Patent:** **\*\* Dec. 13, 2022**

(54) **DIGITAL SCALE**

(71) Applicant: **Anhui UNI Electronic Technology Co., Ltd.**, Anhui (CN)

(72) Inventor: **Peiguang Hong**, Anhui (CN)

(\*\*) Term: **15 Years**

(21) Appl. No.: **29/794,214**

(22) Filed: **Jun. 10, 2021**

(51) **LOC (13) Cl.** ..... **10-04**

(52) **U.S. Cl.**  
USPC ..... **D10/91**

(58) **Field of Classification Search**  
USPC ..... D10/81, 70, 91, 64, 46, 100, 50, 52, 53,  
D10/56, 96, 101, 104.1, 104.2, 106.1,  
D10/121, 83-89  
CPC ..... G01B 19/46; G01G 19/48; G01G 19/50;  
G01G 21/44  
See application file for complete search history.

D550,108 S \* 9/2007 Kesselman ..... D10/91  
D581,301 S \* 11/2008 Vantine ..... D10/91  
D582,800 S \* 12/2008 Comerford ..... D10/50  
D605,063 S \* 12/2009 Rogers ..... D10/89  
D656,427 S \* 3/2012 Depauw ..... D10/91  
D682,129 S \* 5/2013 Kesselman ..... D10/91  
D768,586 S \* 10/2016 Christianson ..... D13/184  
D778,748 S \* 2/2017 Nugent ..... D10/94  
D791,628 S \* 7/2017 Ganrude ..... D10/91  
D837,672 S \* 1/2019 Hong ..... D10/91  
D842,731 S \* 3/2019 Hong ..... D10/91  
D851,522 S \* 6/2019 Hong ..... D10/94  
D869,314 S \* 12/2019 Ma ..... D10/91  
D872,604 S \* 1/2020 Chen ..... D10/91  
D878,232 S \* 3/2020 Cheng ..... D10/91  
D894,768 S \* 9/2020 Ma ..... D10/91  
D897,875 S \* 10/2020 Ma ..... D10/91  
D925,382 S \* 7/2021 Jiang ..... D10/91  
D926,611 S \* 8/2021 Hong ..... D10/91  
D935,925 S \* 11/2021 Qiu ..... D10/91

(Continued)

*Primary Examiner* — George D. Kirschbaum  
*Assistant Examiner* — Antoinette Martine Suiter  
(74) *Attorney, Agent, or Firm* — Prakash Nama; Global IP Services, PLLC

(56) **References Cited**  
U.S. PATENT DOCUMENTS

5,046,322 A \* 9/1991 Bulla ..... G01G 17/06  
177/127  
D352,664 S \* 11/1994 Peersmann ..... D10/2  
D355,139 S \* 2/1995 Weirsmann ..... D10/91  
6,781,068 B2 \* 8/2004 Zahriya ..... G01G 21/28  
177/127  
D505,873 S \* 6/2005 Kesselman ..... D10/91  
D519,048 S \* 4/2006 Kesselman ..... D10/91  
D520,891 S \* 5/2006 Motomizu ..... D10/91  
D521,889 S \* 5/2006 Kesselman ..... D10/91  
D521,890 S \* 5/2006 Motomizu ..... D10/91  
D524,671 S \* 7/2006 Huang ..... D10/91  
D529,831 S \* 10/2006 Malhi ..... D10/91  
D543,881 S \* 6/2007 Barmes ..... D10/91  
D547,217 S \* 7/2007 Montagnino ..... D10/91  
D548,121 S \* 8/2007 Rapp ..... D10/89

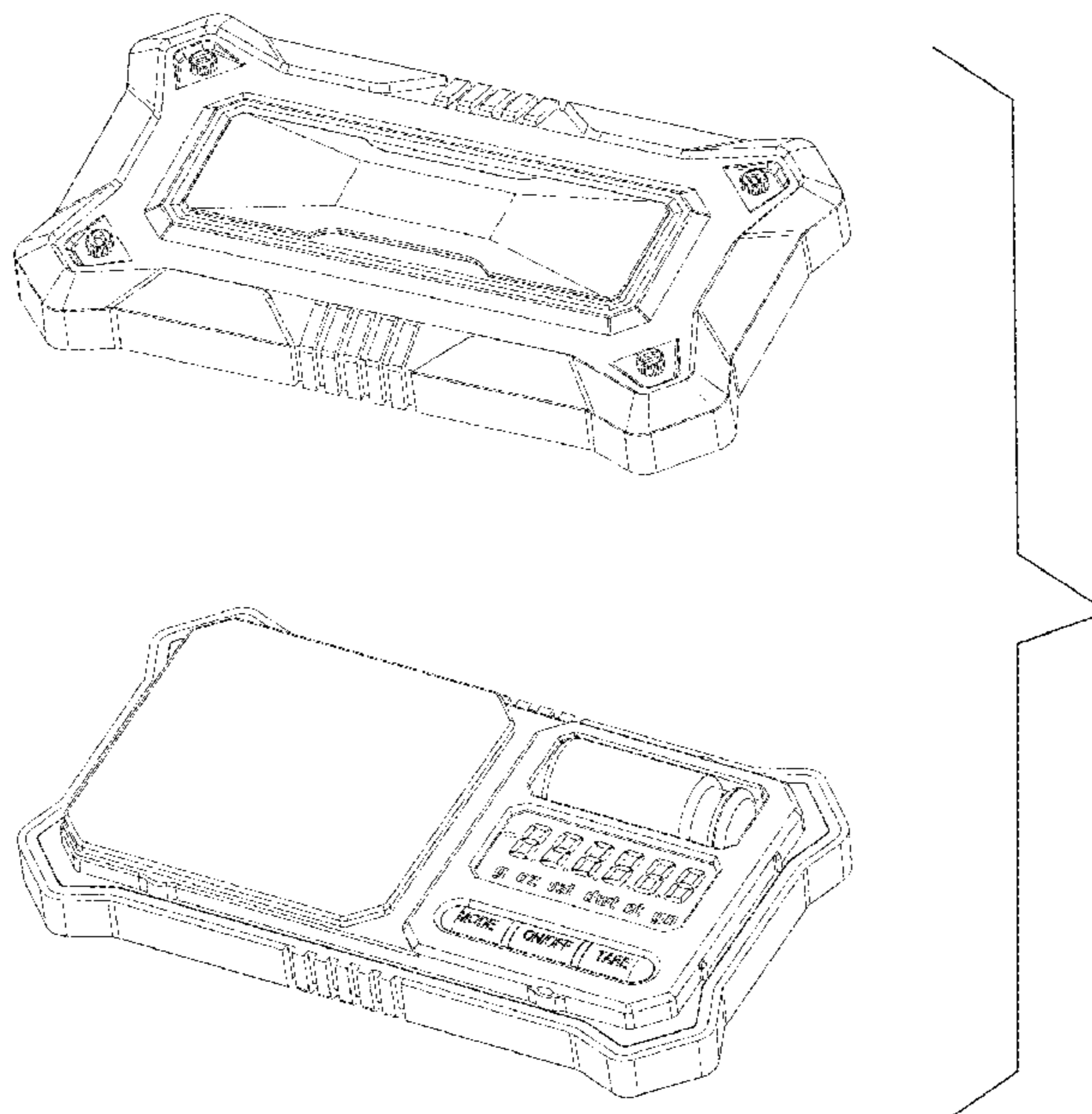
(57) **CLAIM**

The ornamental design for a digital scale, as shown.

**DESCRIPTION**

FIG. 1 is a front elevational view of a digital scale showing my new design;  
FIG. 2 is a rear elevational view thereof;  
FIG. 3 is a left side view thereof;  
FIG. 4 is a right side view thereof;  
FIG. 5 is a top plan view thereof;  
FIG. 6 is a bottom plan view thereof;  
FIG. 7 is a perspective view thereof; and,  
FIG. 8 is an exploded view thereof.

**1 Claim, 7 Drawing Sheets**



(56)

**References Cited**

U.S. PATENT DOCUMENTS

D951,790	S	*	5/2022	Xu	.....	D10/91
D953,902	S	*	6/2022	Hong	.....	D10/91
D960,736	S	*	8/2022	Hong	.....	D10/91
D962,099	S	*	8/2022	Yu	.....	D10/91
2002/0195281	A1	*	12/2002	Zahriya	.....	G01G 21/22
						177/127
2008/0277169	A1	*	11/2008	Hong	.....	G01G 19/50
						177/180
2010/0126783	A1	*	5/2010	Chen	.....	G01G 23/00
						177/245
2016/0033319	A1	*	2/2016	Kovacs	.....	A61B 5/7445
						177/25.13
2017/0108371	A1	*	4/2017	Pan	.....	G01G 21/28
2022/0082431	A1	*	3/2022	Qiu	.....	G01G 21/28

\* cited by examiner

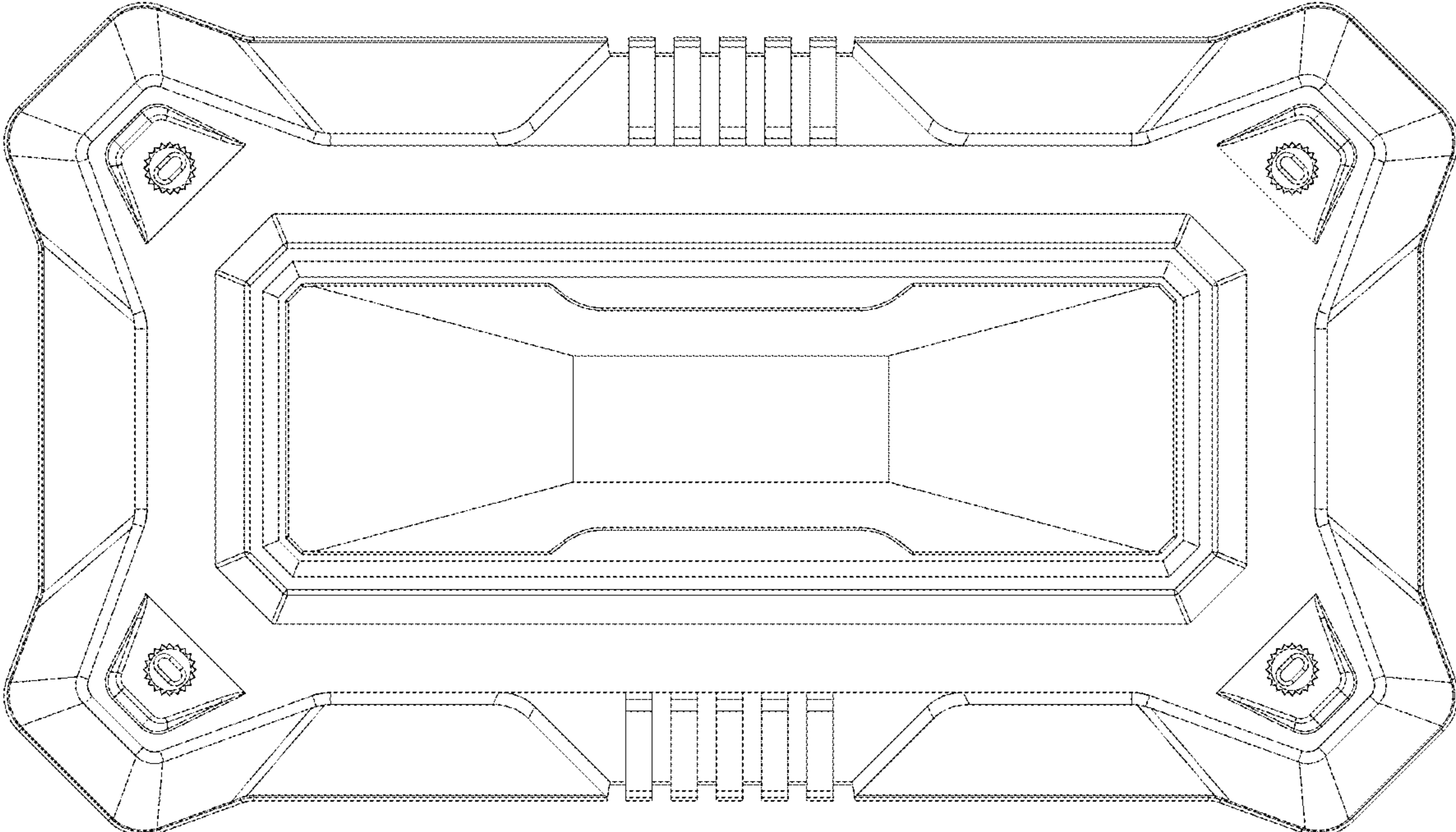


FIG. 1

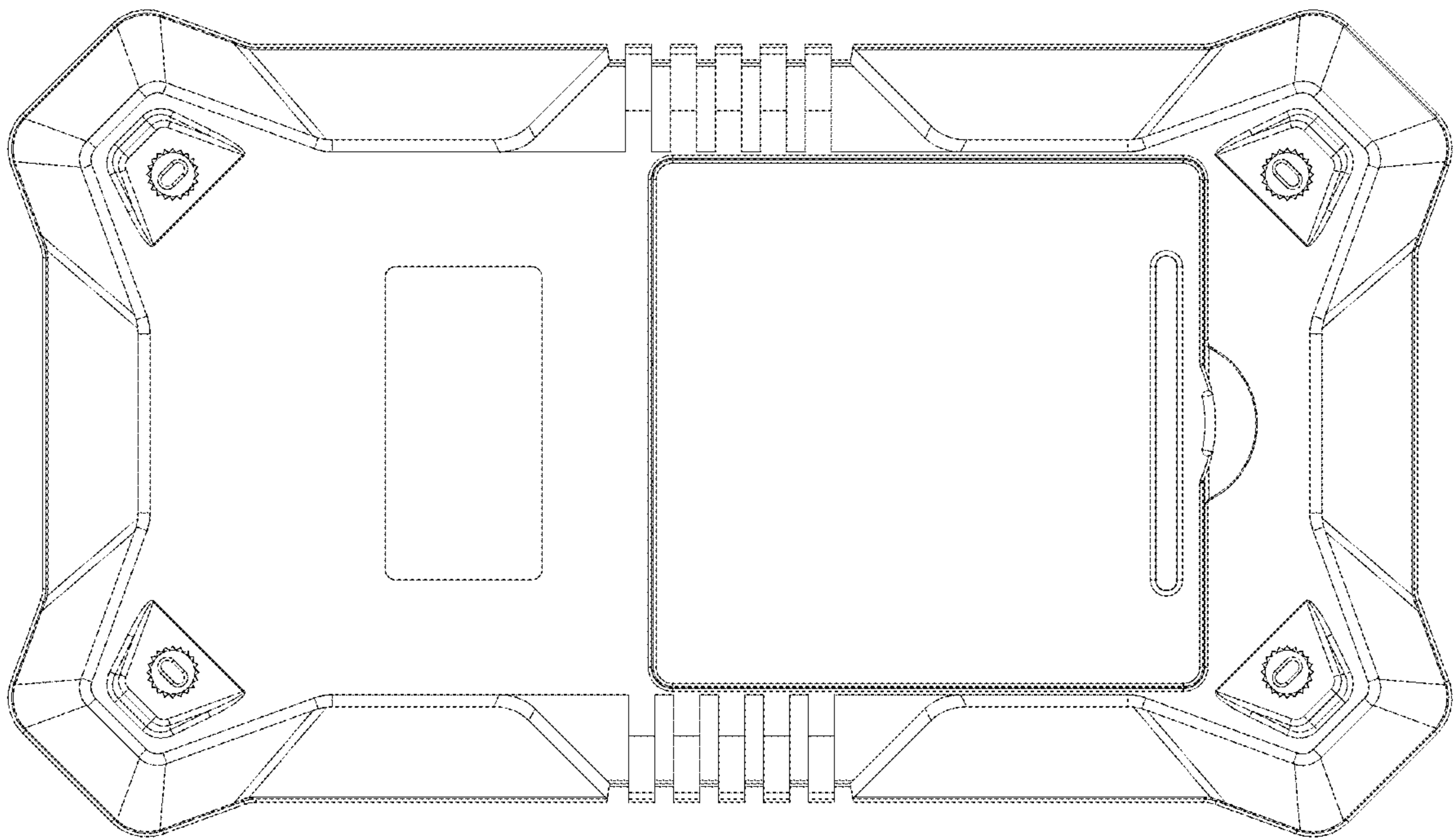


FIG. 2

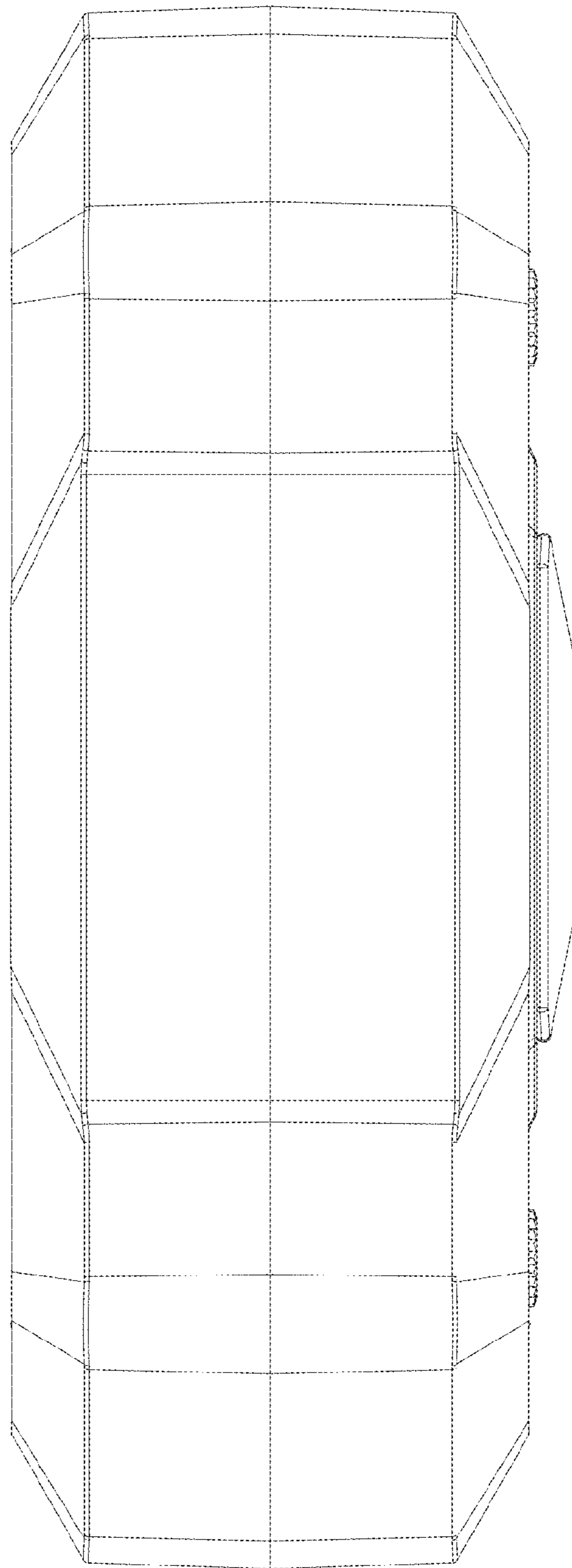


FIG. 3

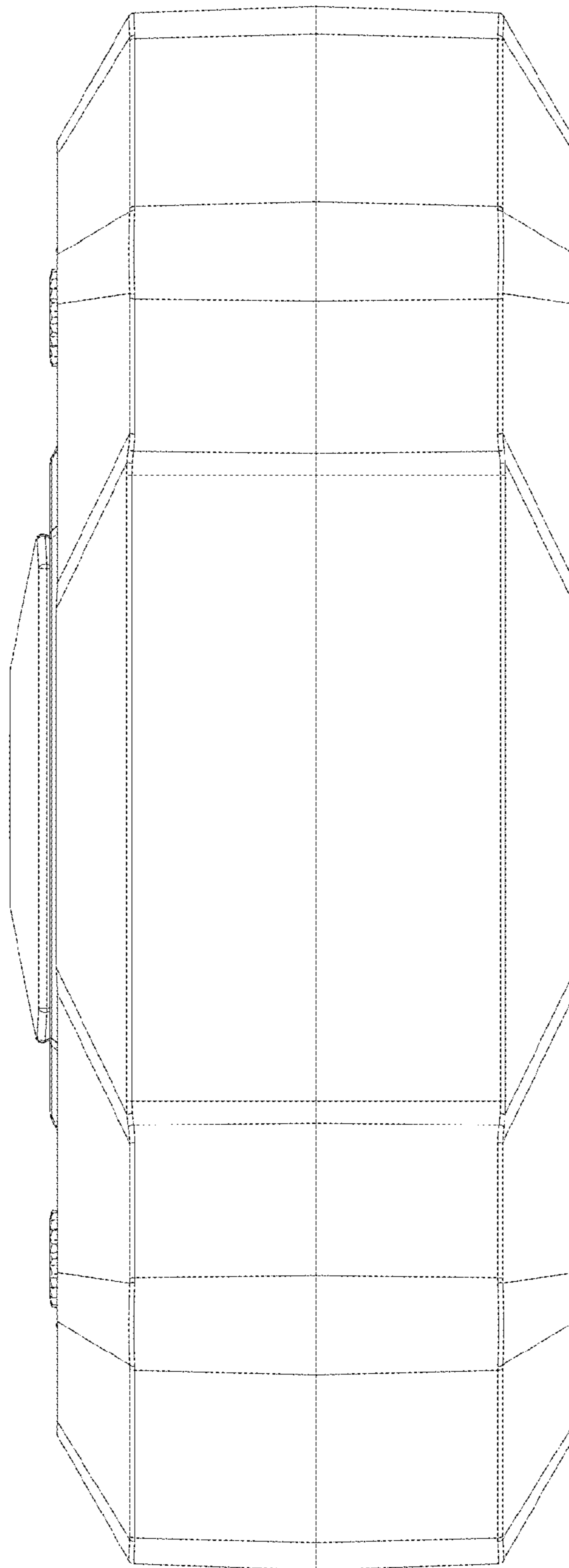


FIG. 4

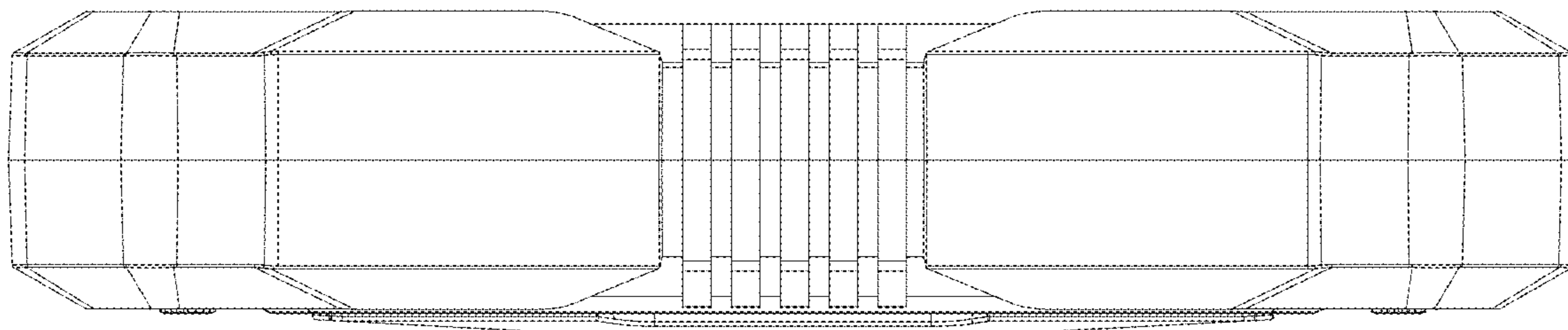


FIG. 5

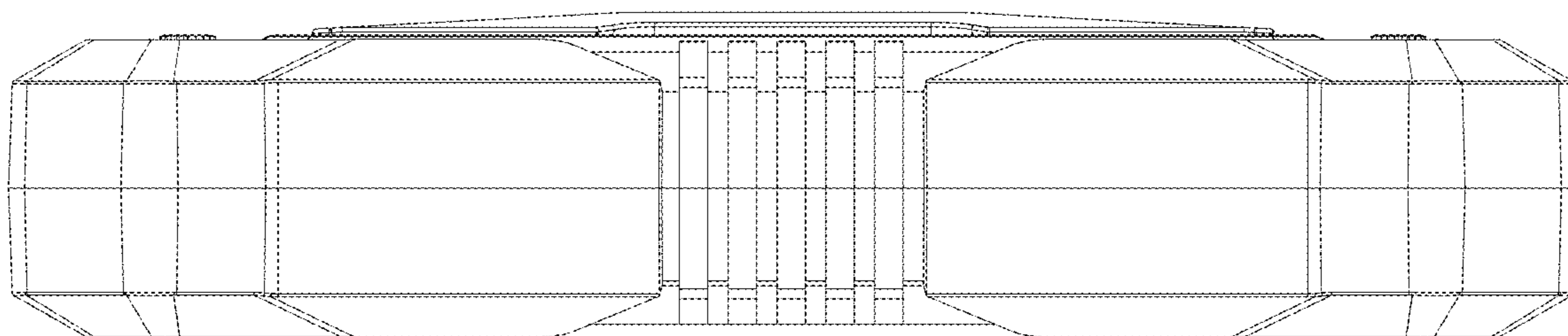


FIG. 6

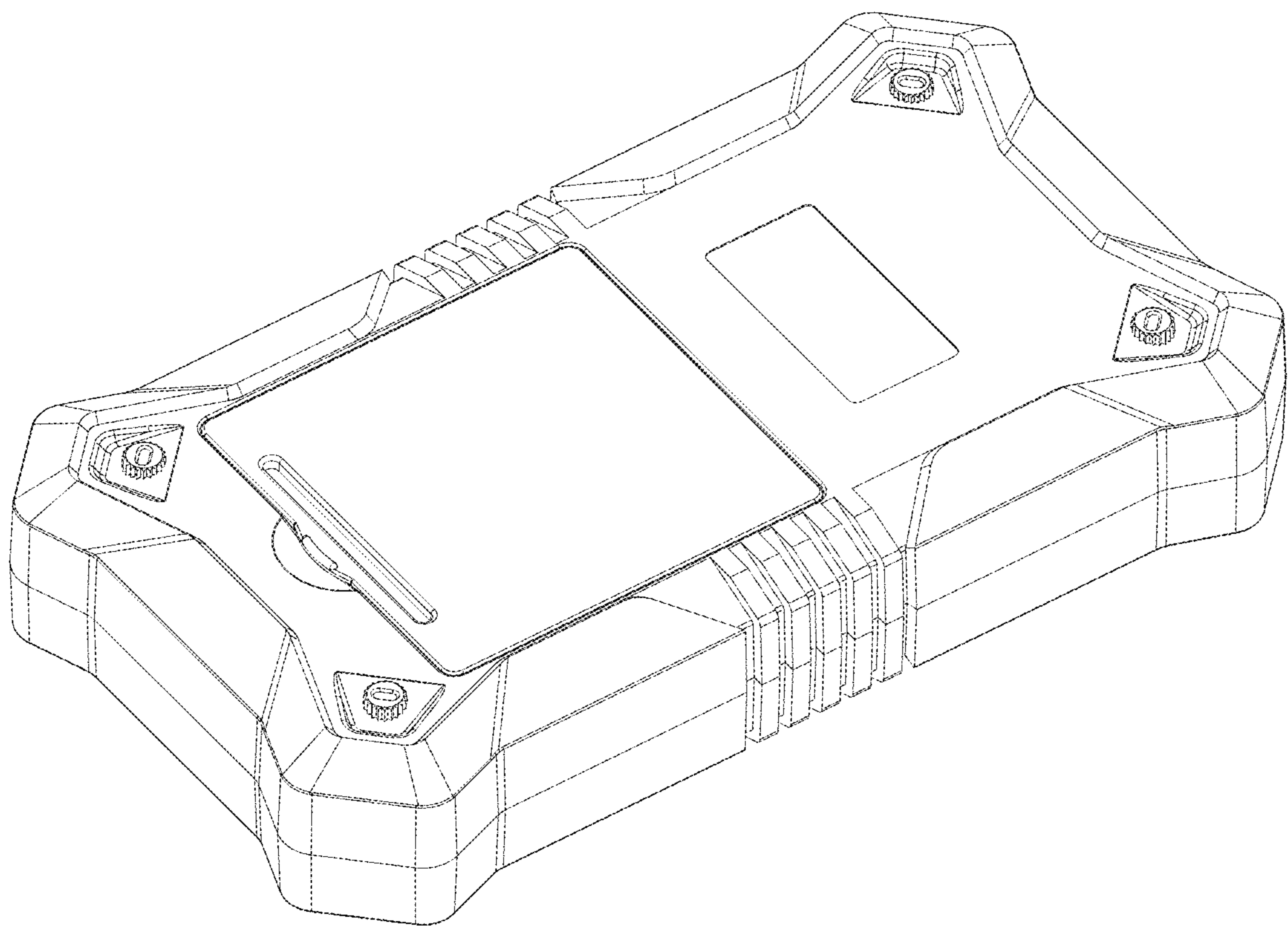


FIG. 7



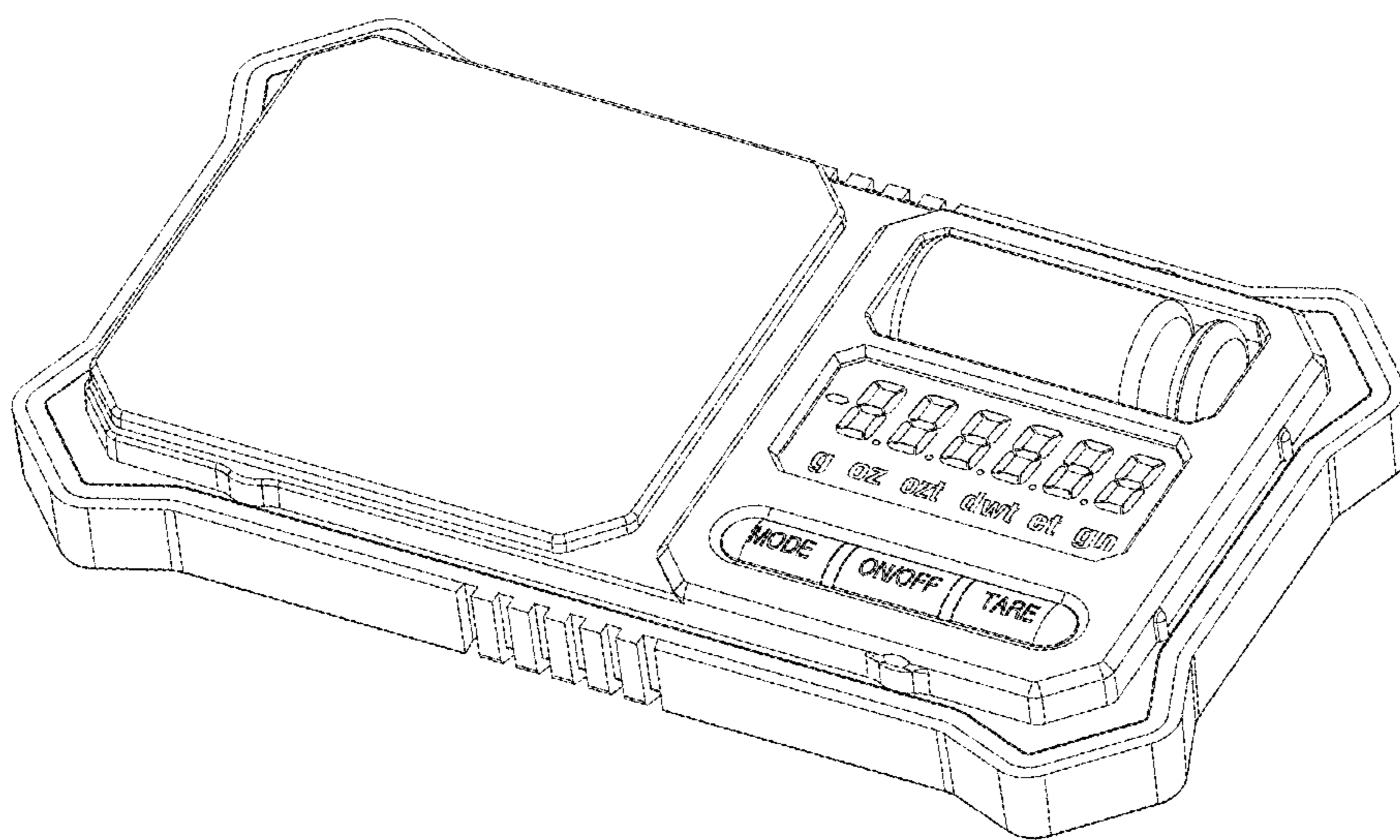
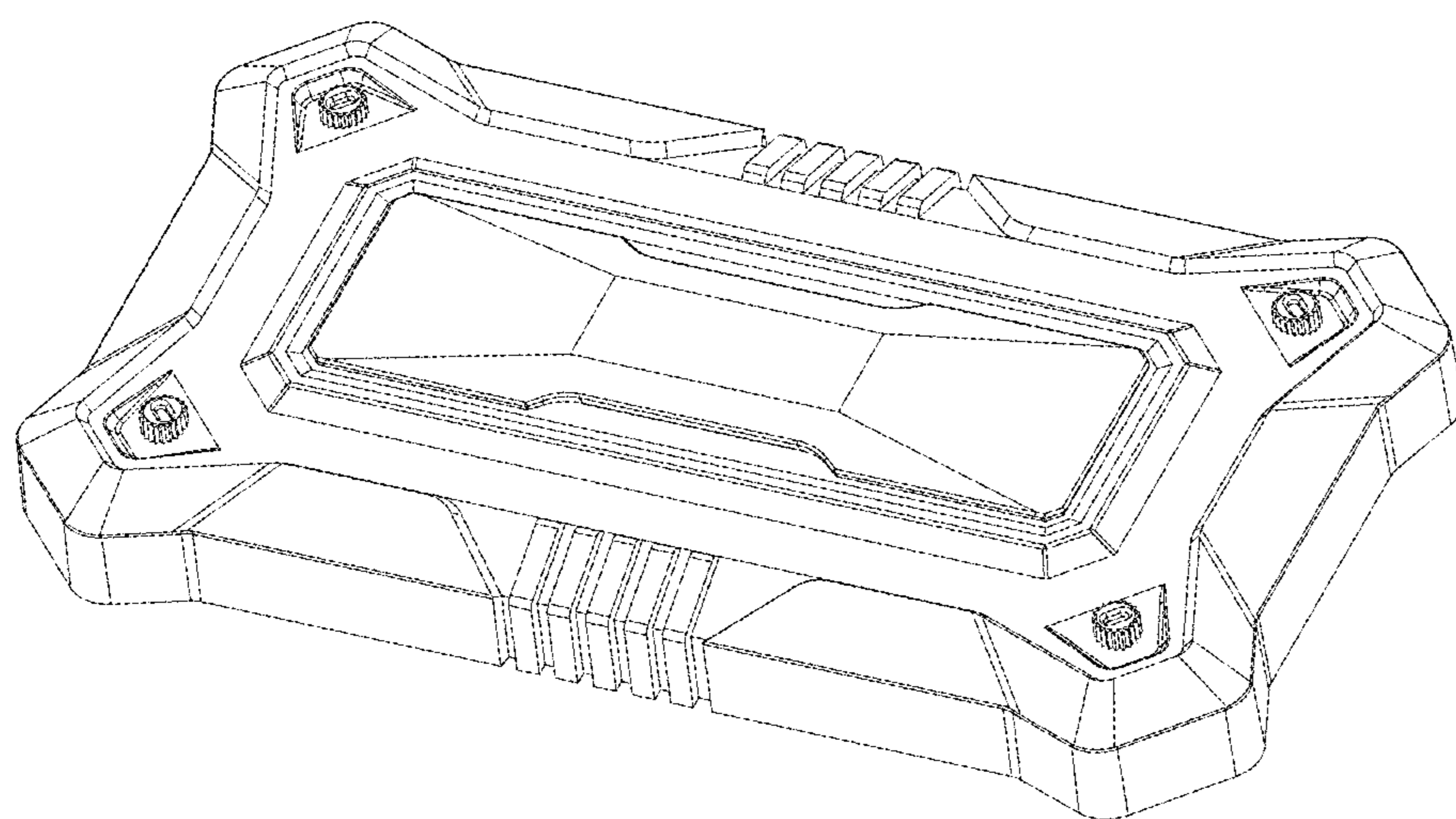


FIG. 8