



US00D972416S

(12) **United States Design Patent** (10) **Patent No.:** **US D972,416 S**  
**Wu** (45) **Date of Patent:** **\*\* Dec. 13, 2022**

(54) **WATCH**  
(71) Applicant: **Yiwu Baosuo Network Technology Co., Ltd., Yiwu (CN)**  
(72) Inventor: **Anmin Wu, Yiwu (CN)**  
(73) Assignee: **Yiwu Baosuo Network Technology Co., Ltd., Yiwu (CN)**  
(\*\*) Term: **15 Years**

D664,448 S \* 7/2012 Graff ..... D10/38  
D679,201 S \* 4/2013 Jacquerye ..... D10/39  
D707,572 S 6/2014 Calvani  
D714,661 S 10/2014 Calvani  
D721,600 S \* 1/2015 Galli ..... D10/39  
D758,887 S \* 6/2016 Sasaki ..... D10/128  
D795,086 S 8/2017 Monachon  
D797,576 S \* 9/2017 Monachon ..... D10/30  
D822,509 S \* 7/2018 Monachon ..... D10/38  
D826,070 S 8/2018 Parmigiani  
D830,204 S 10/2018 Parmigiani  
D848,284 S \* 5/2019 Tonohori ..... D10/30  
D853,251 S \* 7/2019 Monachon ..... D10/38

(Continued)

(21) Appl. No.: **29/826,510**

(22) Filed: **Feb. 14, 2022**

(51) **LOC (13) Cl.** ..... **10-02**

(52) **U.S. Cl.**  
USPC ..... **D10/39**

(58) **Field of Classification Search**  
USPC .... D10/122, 125, 132, 126, 30, 38, 128, 39;  
D14/440, 250, 217, 447, 344, 439, 432,  
D14/300; D11/3  
CPC .. G04B 37/00; G04B 37/0008; G04B 37/005;  
G04B 37/22; G04B 37/18; G04B 37/20;  
G04B 37/116; A44C 5/007; A44C 5/147;  
A45C 11/10; A45C 11/12  
See application file for complete search history.

(56) **References Cited**

**U.S. PATENT DOCUMENTS**

D381,595 S \* 7/1997 Kennedy ..... D10/128  
D382,815 S \* 8/1997 Riley ..... D10/30  
D400,463 S \* 11/1998 Cappannelli ..... D10/128  
D462,909 S \* 9/2002 Cattin ..... D10/39  
D475,935 S \* 6/2003 Modolo ..... D10/39  
D500,456 S \* 1/2005 Galvani ..... D10/128  
D502,650 S \* 3/2005 Kojima ..... D10/30  
D526,578 S \* 8/2006 Ikezu ..... D10/38  
D590,727 S \* 4/2009 Wei ..... D10/38  
D591,621 S \* 5/2009 Nataf ..... D10/39  
D600,145 S \* 9/2009 Schoepfer ..... D10/38  
D652,744 S \* 1/2012 Nandha ..... D10/39

**FOREIGN PATENT DOCUMENTS**

CN 201330043838 \* 2/2013

**OTHER PUBLICATIONS**

Amazon, HANPOSH Mens Watches Chronograph, posted Nov. 29, 2020, [online], [visited Sep. 20, 2022]. Internet, <URL: https://www.amazon.com/dp/B08P8M43RT/ref> (Year: 2020).\*

(Continued)

*Primary Examiner* — Samantha Wood  
(74) *Attorney, Agent, or Firm* — Zhihua Han; Wen IP LLC

(57) **CLAIM**

The ornamental design for a watch, as shown and described.

**DESCRIPTION**

FIG. 1 is a perspective view of a watch, showing my new design;  
FIG. 2 is a front elevation view thereof;  
FIG. 3 is a rear elevation view thereof;  
FIG. 4 is a left side elevation view thereof;  
FIG. 5 is a right side elevation view thereof; and,  
FIG. 6 is a top plan view thereof.

**1 Claim, 6 Drawing Sheets**



(56)

**References Cited**

## U.S. PATENT DOCUMENTS

D866,353 S \* 11/2019 Tinguely ..... D10/39  
D877,627 S \* 3/2020 Muller ..... D10/30  
D902,766 S \* 11/2020 Torres ..... D10/128  
D913,118 S 3/2021 Moilanen et al.  
D913,123 S \* 3/2021 Okamura ..... D10/39  
D959,295 S \* 8/2022 Tysander ..... D10/39  
D961,583 S \* 8/2022 Chung ..... D14/344

## OTHER PUBLICATIONS

Amazon, BUREI Automatic Sapphire Crystal Men's Watch, posted Apr. 24, 2019, [online], [visited Sep. 20, 2022]. Internet, <URL: <https://www.amazon.com/BUREI-Automatic-Sapphire-Crystal-Stainless/dp/B07R3VHGWY?th=1>> (Year: 2019).\*

Amazon, MASTOP Mens Watches Rotatable Bezel Wristwatch, posted Feb. 1, 2019, [online], [visited Sep. 20, 2022], Internet, <URL: <https://www.amazon.com/Watches-Rotatable-Business-Stainless-Waterproof/dp/B08CRYPBHQ/ref>> (Year: 2019).\*

Amazon, CADISEN Automatic Watches Mens Mechanical Wristwatch, posted Jun. 23, 2021, [online], [visited Sep. 20, 2022], Internet, <URL: <https://www.amazon.com/CADISEN-Automatic-Mechanical-Waterproof-Wristwatch/dp/B097QSY4DJ/ref?th=1>> (Year: 2021).\*

Amazon, PAGANI Desion Automatic Mens Wristwatch, posted Apr. 22, 2020. [online], [visited Sep. 20, 2022]. Internet, <URL: <https://www.amazon.com/dp/B087G9PZZ5/ref>> (Year: 2020).\*

\* cited by examiner



FIG. 1

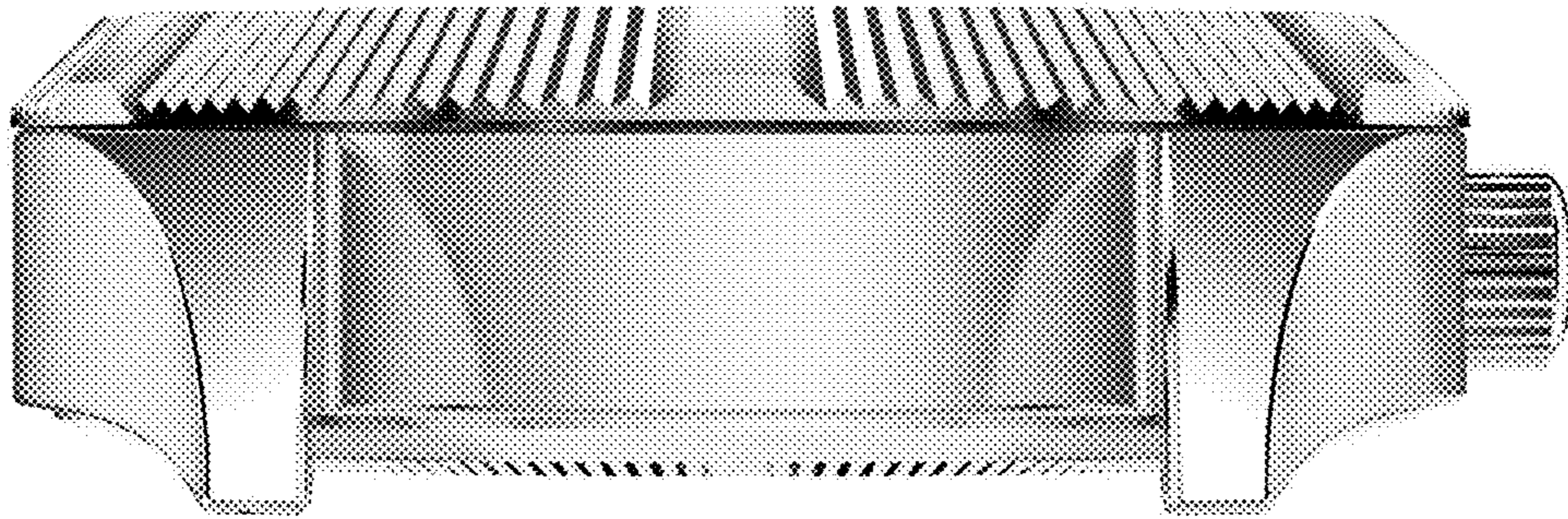


FIG. 2

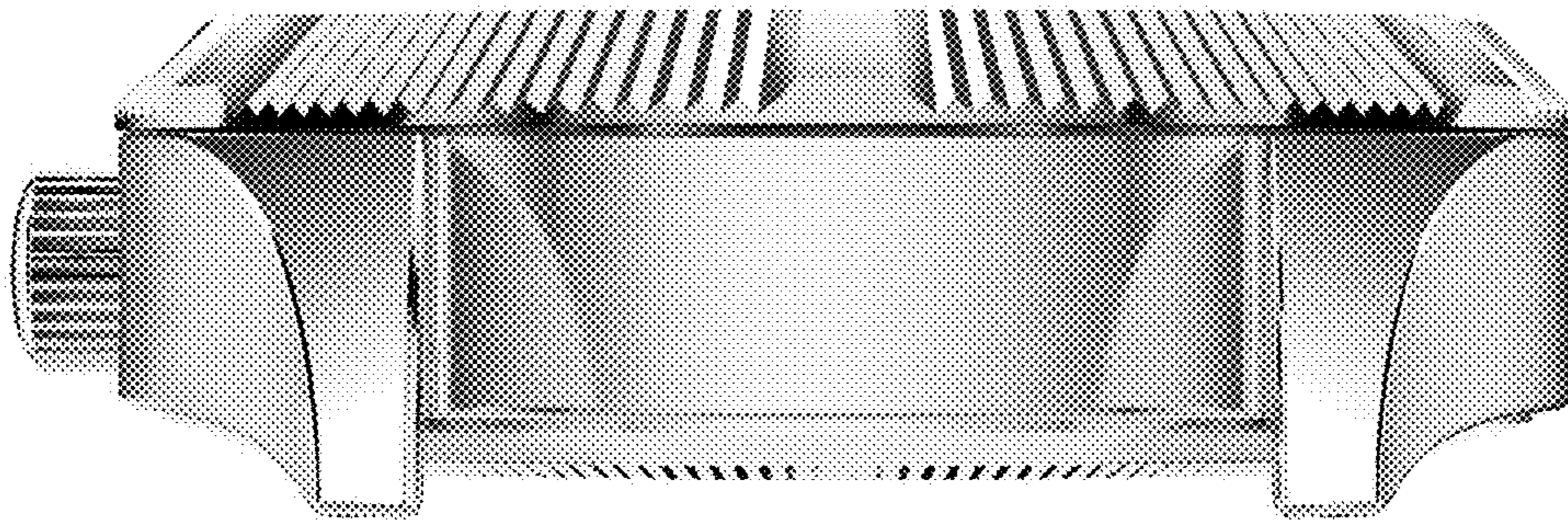


FIG. 3

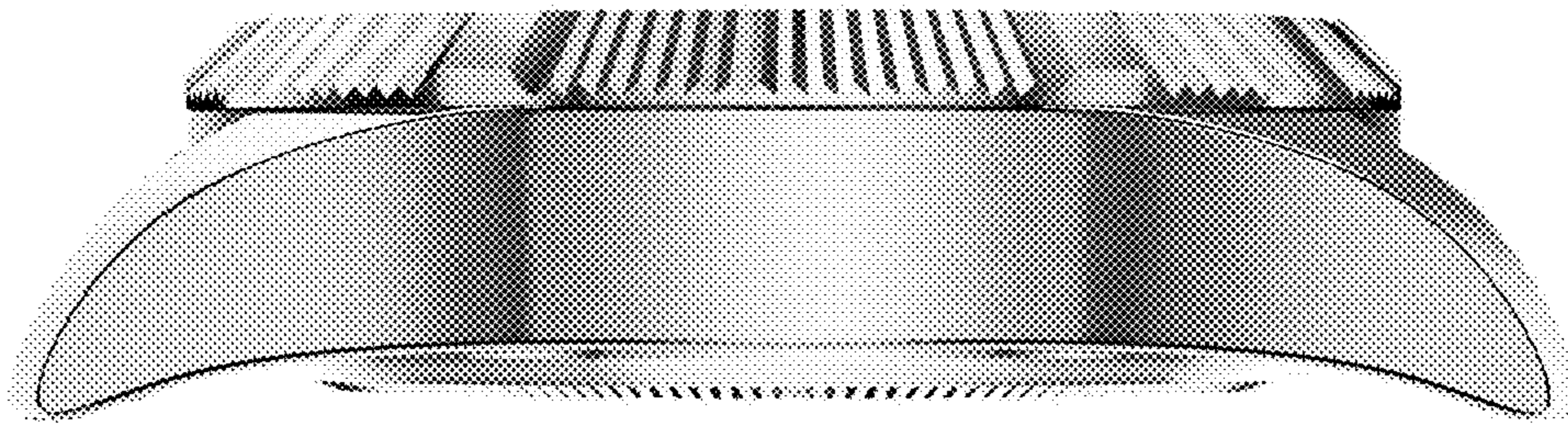


FIG. 4

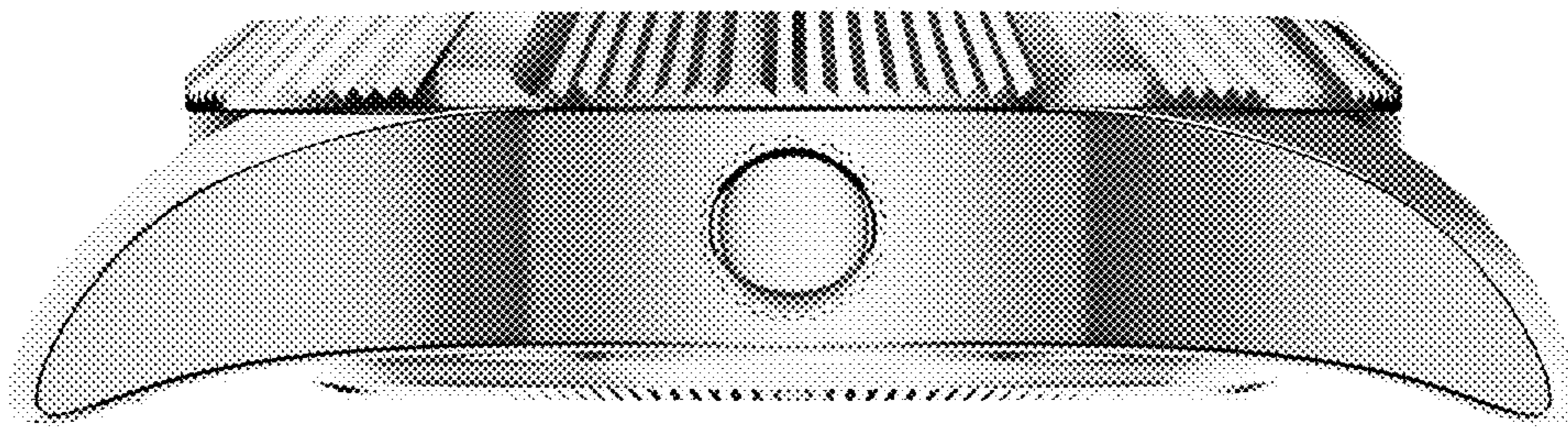


FIG. 5



FIG. 6