



US00D972415S

(12) **United States Design Patent** (10) **Patent No.:** **US D972,415 S**
Ingram (45) **Date of Patent:** **** *Dec. 13, 2022**

(54) **ELECTRONIC SAFETY DEVICE**
(71) Applicant: **Felise Shantel Ingram**, Salinas, CA (US)
(72) Inventor: **Felise Shantel Ingram**, Salinas, CA (US)
(73) Assignee: **Felise Shantel Ingram**

D842,719 S * 3/2019 Doan D10/70
D860,006 S * 9/2019 Cotnoir D10/32
D918,743 S * 5/2021 Tsung D14/344
2010/0242325 A1* 9/2010 Waltersdorf G09F 3/005
40/633
2014/0276244 A1* 9/2014 Kamyar A61B 5/1112
600/595
2016/0209875 A1* 7/2016 Kim A61B 5/01
2018/0110465 A1* 4/2018 Naima A61B 5/0006
(Continued)

(*) Notice: This patent is subject to a terminal disclaimer.
(**) Term: **15 Years**

FOREIGN PATENT DOCUMENTS

CN 3129542 * 1/1999
CN 307223524 * 12/2021
(Continued)

(21) Appl. No.: **29/649,258**
(22) Filed: **May 29, 2018**
(51) **LOC (13) Cl.** **10-05**
(52) **U.S. Cl.**
USPC **D10/32; D10/70; D10/104.1**
(58) **Field of Classification Search**
USPC D10/104.1, 104.2, 38, 30, 32, 31, 76-80,
D10/61, 96-103, 65-99; D14/138 R,
D14/240, 344, 341, 383, 230; D24/186,
D24/167
CPC ... A61B 5/681; A61B 2562/0219; A61B 5/01;
A61B 5/14542; A61B 5/0022; A61B
5/6831; A61B 5/6825; A61B 2503/06;
A61B 5/02438; A61B 5/14551; A61B
2503/04; A61B 2560/0242; A61B
2505/07; A61B 5/1112; A61B 5/0205;
A61B 5/7435; A61B 5/7475; A61B
5/6898; A61B 5/4833; A44C 5/0007;
A44C 5/0053; A44C 15/002
See application file for complete search history.

OTHER PUBLICATIONS

Sonew Store, Wristband Alarm, Date first available Aug. 26, 2020, [online]retrieved May 3, 2022, available from https://www.amazon.co.uk/Wristband-Personal-Security-Flashing-Suitable/dp/B08GPSFZVJ/ref=sr_1_49?keywords=Best+Personal+Alarms+for+the+Elderly&qid=1651597446&sr=8-49 (Year: 2020).*
(Continued)

Primary Examiner — Keli L Hill
Assistant Examiner — Sara S Sahneh

(57) **CLAIM**

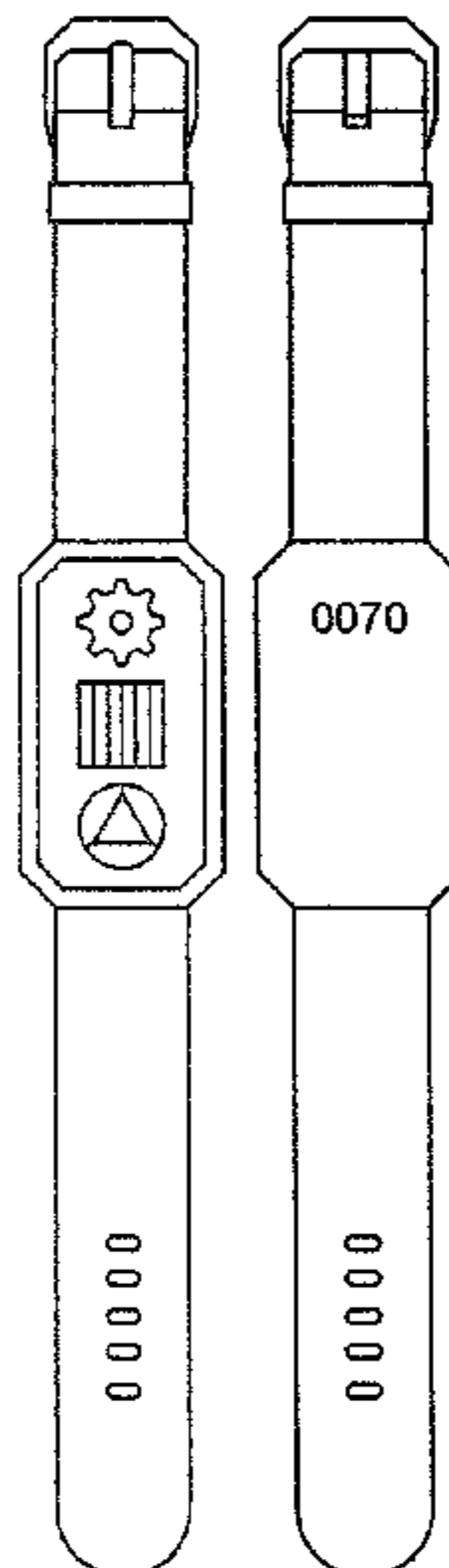
The ornamental design for an electronic safety device, as shown and described.

DESCRIPTION

FIG. 1 is a front elevational view of my electronic safety device showing my new design.
FIG. 2 is a back elevational view thereof.
FIG. 3 is a left side plan view thereof.
FIG. 4 is a right side plan view thereof.
FIG. 5 is a front left perspective view thereof, shown in an alternate configuration; and,
FIG. 6 is a front right perspective view of FIG. 5.

(56) **References Cited**
U.S. PATENT DOCUMENTS
D781,164 S * 3/2017 Haapakoski D10/70
D817,784 S * 5/2018 Swenson D10/70
D827,838 S * 9/2018 Lillquist D10/38

1 Claim, 2 Drawing Sheets



(56)

References Cited

U.S. PATENT DOCUMENTS

2018/0235489 A1* 8/2018 Mouradian A61B 5/02416
2019/0246977 A1* 8/2019 Miller H04W 52/0254
2020/0163420 A1* 5/2020 Suvilaakso A44B 11/008

FOREIGN PATENT DOCUMENTS

EM 002982116-0001 * 2/2016
EM 003755842-0001 * 2/2017
KR 301126995.0000 * 11/2020

OTHER PUBLICATIONS

CNRGHS, Elderly Smart Watch, Date first available Nov. 22, 2019,
[online]retrieved May 3, 2022, available from <https://www.amazon.co.uk/CNRGHS-Pressure-Anti-lost-Positioning-Disabilities/dp/B081V8XB1P> 2/4 (Year: 2019).*

* cited by examiner

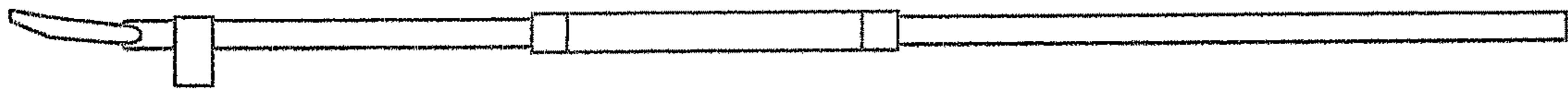


Fig 4

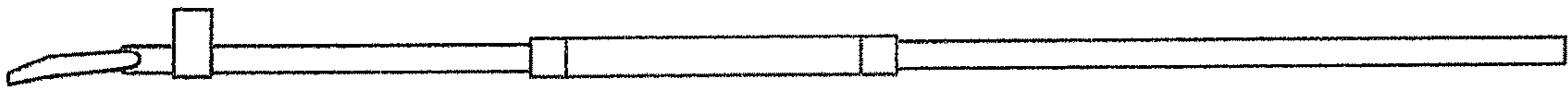


Fig 3

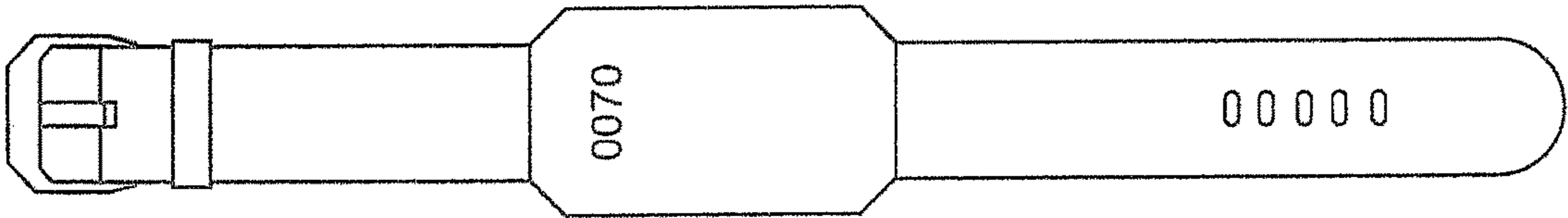


Fig 2

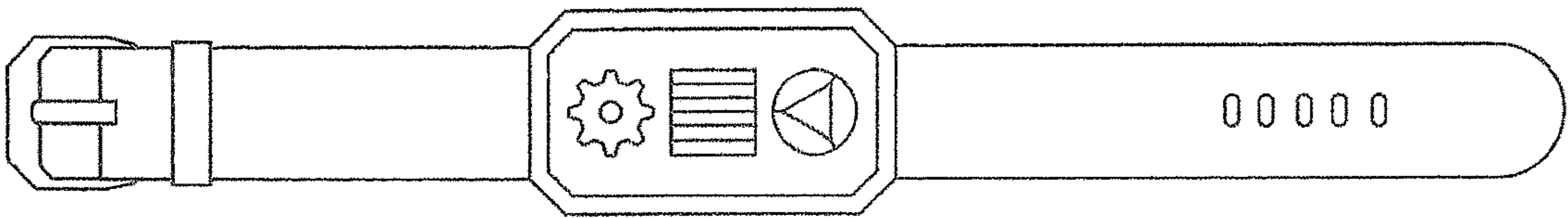


Fig 1

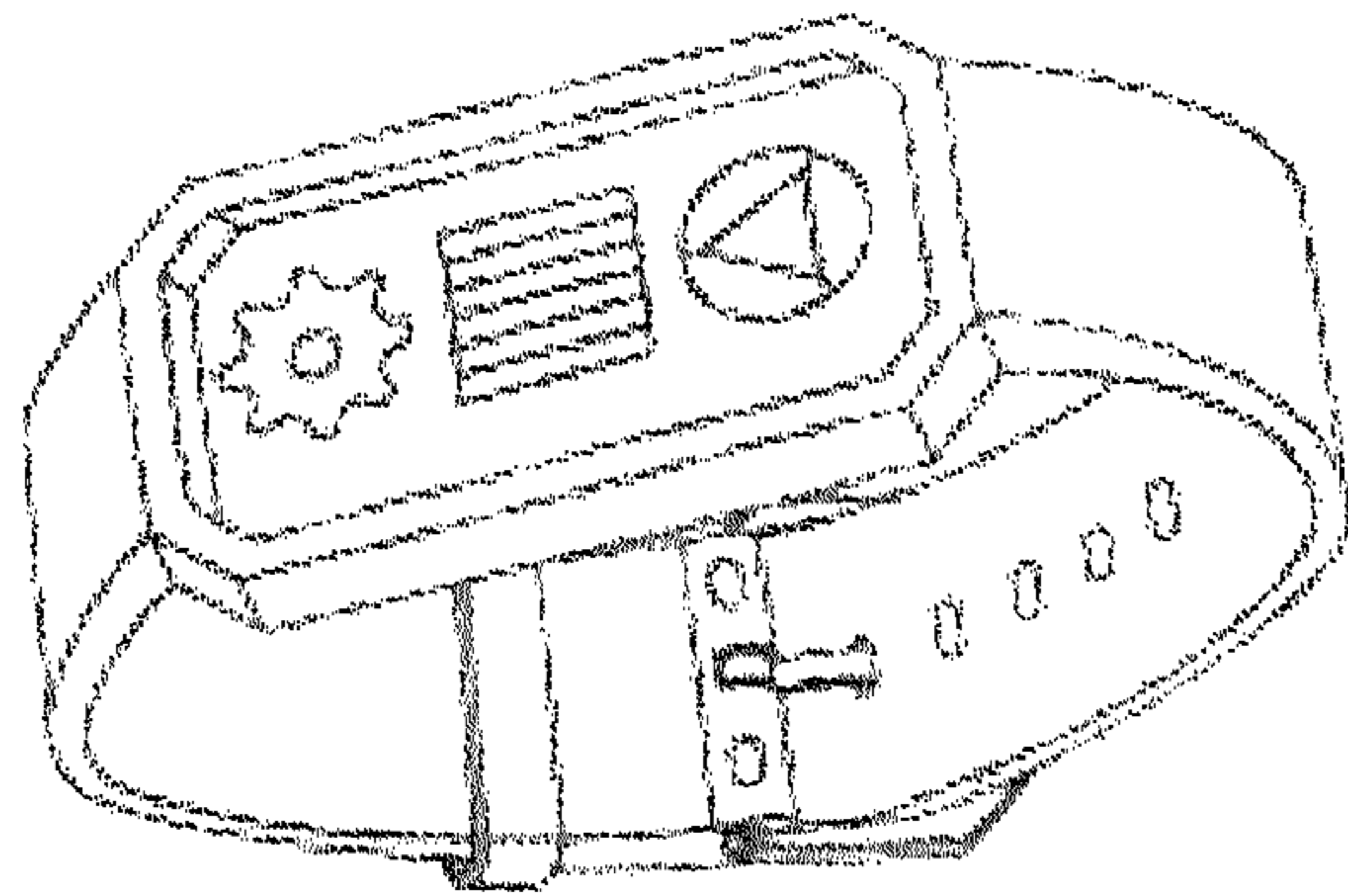


Fig. 4

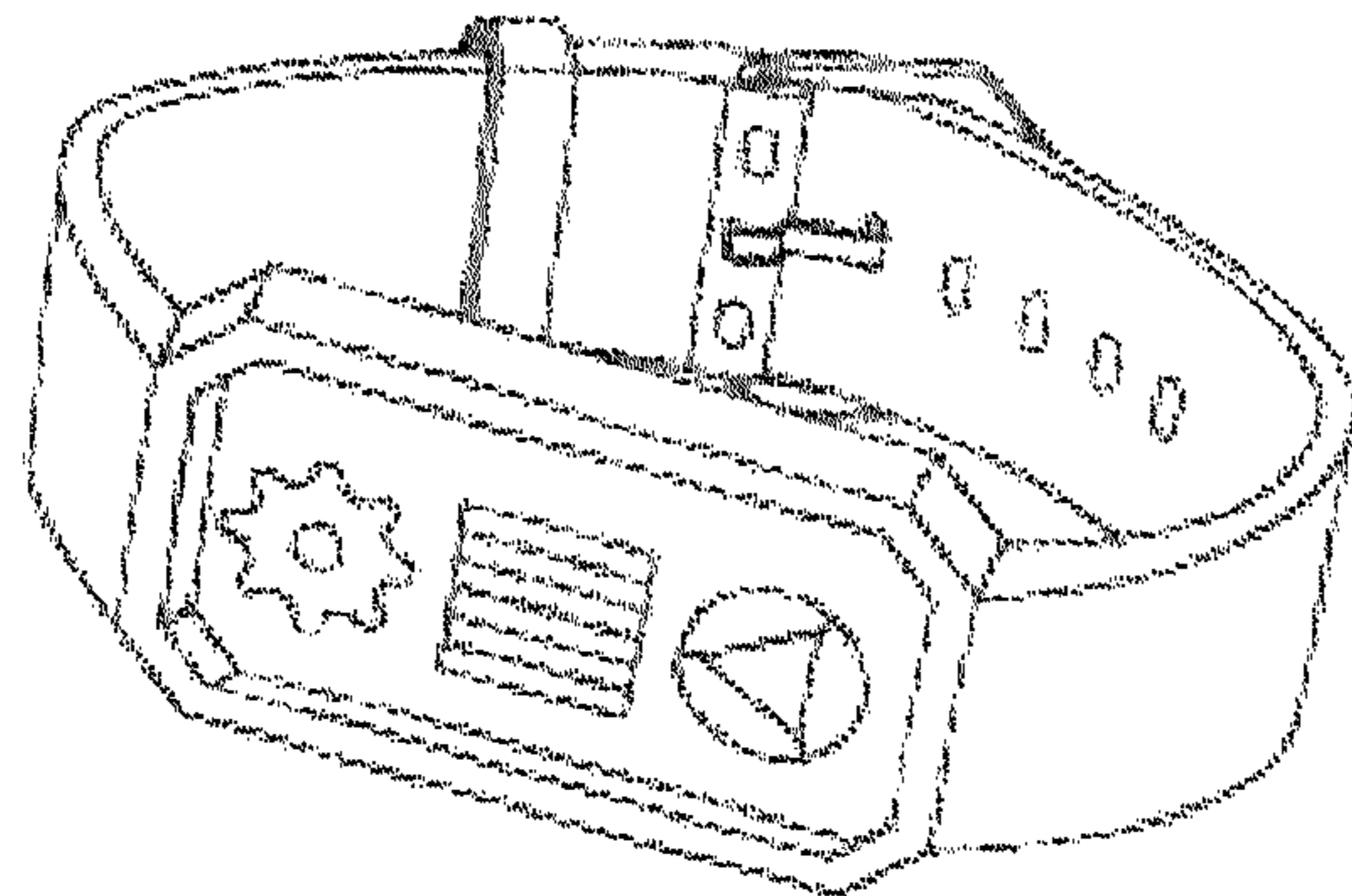


Fig. 5

UNITED STATES PATENT AND TRADEMARK OFFICE
CERTIFICATE OF CORRECTION

PATENT NO. : D972,415 S
APPLICATION NO. : 29/649258
DATED : December 13, 2022
INVENTOR(S) : Ingram

Page 1 of 1

It is certified that error appears in the above-identified patent and that said Letters Patent is hereby corrected as shown below:

On the Title Page

Please replace the current Title:
ELECTRONIC SAFETY DEVICE

With the following updated Title below:
SOLAR PERSONAL SAFETY DEVICE

Signed and Sealed this
Ninth Day of May, 2023



Katherine Kelly Vidal
Director of the United States Patent and Trademark Office