



US00D972411S

(12) **United States Design Patent**
Mastronardi et al.

(10) **Patent No.:** **US D972,411 S**
(45) **Date of Patent:** **** Dec. 13, 2022**

(54) **FOOTBALL SHAPED CONTAINER**

- (71) Applicant: **Mastronardi Produce Ltd.**, Kingsville (CA)
- (72) Inventors: **Paul Mastronardi**, Leamington (CA);
Sylvia Baggio, Morriston (CA)
- (73) Assignee: **MASTRONARDI PRODUCE LTD.**, Kingsville (CA)
- (**) Term: **15 Years**
- (21) Appl. No.: **29/723,803**
- (22) Filed: **Feb. 11, 2020**

Related U.S. Application Data

- (62) Division of application No. 29/665,913, filed on Oct. 8, 2018, now Pat. No. Des. 889,276.
- (51) **LOC (13) Cl.** **09-01**
- (52) **U.S. Cl.**
USPC **D9/668; D7/675; D7/571**
- (58) **Field of Classification Search**
USPC D9/655, 658, 661-664, 667, 516, 549,
D9/553, 558, 566, 668, 600, 631, 670;
D5/20, 32, 38; D7/675, 571
CPC B65D 43/00; B65D 43/02; B65D 81/36;
B65D 81/365; B65D 81/368; B65D
23/02; B65D 11/04
See application file for complete search history.

(56) **References Cited**

U.S. PATENT DOCUMENTS

D128,495 S	7/1941	Loeb	
2,874,965 A	2/1959	Martin	
D226,147 S	1/1973	Sosa	
D228,328 S *	9/1973	Schley D7/511
D230,216 S	1/1974	Tibbs	
D230,217 S	1/1974	Tibbs	
D243,913 S	4/1977	Miles	
D251,284 S	3/1979	Weaver	

(Continued)

OTHER PUBLICATIONS

Amazon Football Serving Trays 10 Pcs Plastic Football Shape. [Online] 8 pages. First available: Dec. 8, 2020. Retrieved Jun. 9, 2022 from URL: <https://www.amazon.com/Football-Cookie-Chocolate-Mold-Instructions/dp/B01BAAA0A8/ref=sr_1_4?keywords=football+shaped+silicone+mold&qid=1%E2%80%A6> (Year: 2020).*

(Continued)

Primary Examiner — Vy N Koenig

Assistant Examiner — Anastasia Longoria

(74) *Attorney, Agent, or Firm* — Dinsmore & Shohl LLP

(57) **CLAIM**

The ornamental design for a football shaped container, as shown and described.

DESCRIPTION

FIG. 1 is a top, side and end perspective view of a football shaped container showing our new design, in an assembled configuration;

FIG. 2 is a planar view of the one end thereof;

FIG. 3 is a planar view of the top thereof;

FIG. 4 is a planar view of an opposite end thereof;

FIG. 5 is a planar view of a bottom thereof;

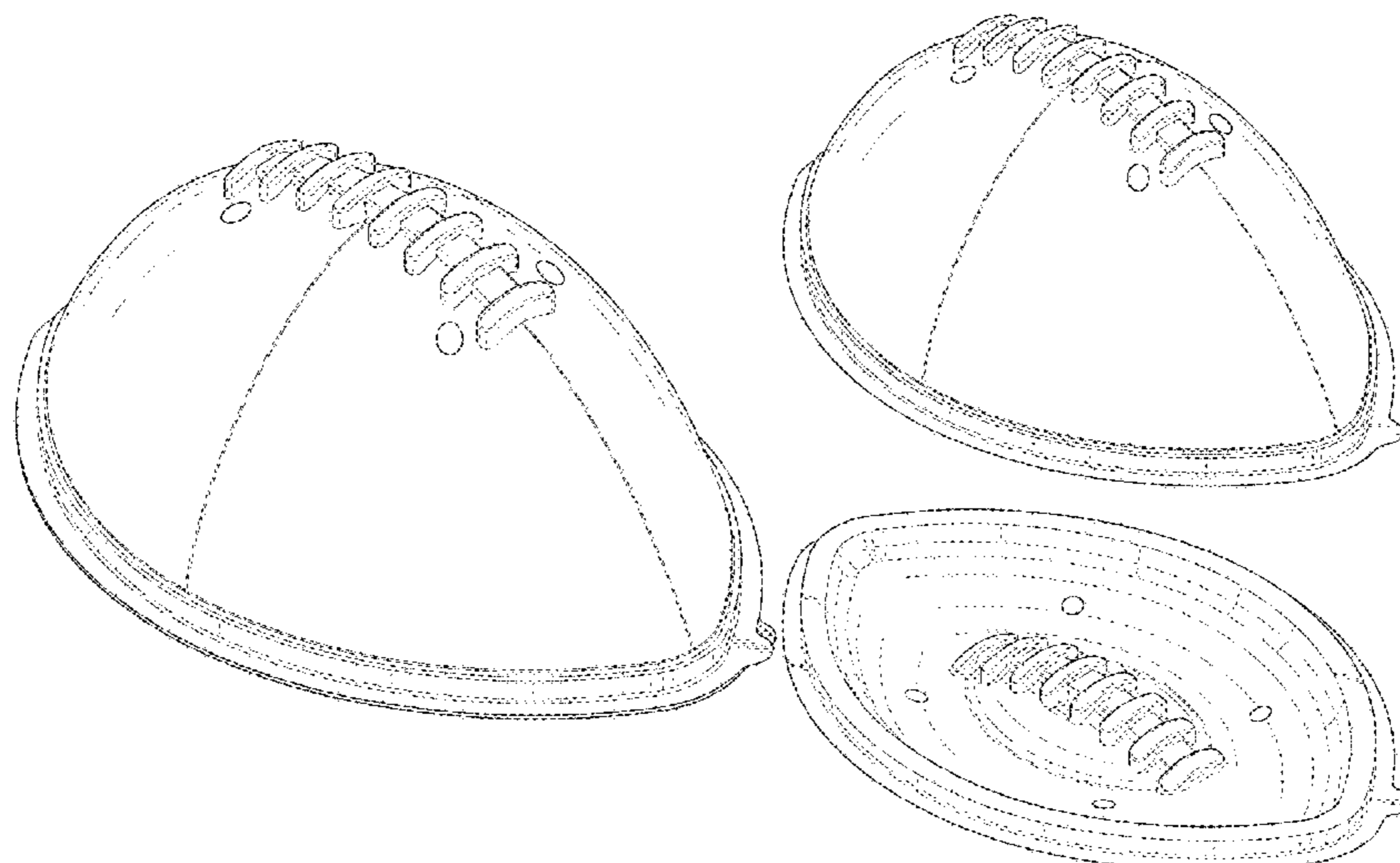
FIG. 6 is a planar view of the one side thereof;

FIG. 7 is a planar view of an opposite side thereof;

FIG. 8 is a perspective view of the separated upper portion and lower portion of the football shaped container, showing the top, the one end, and the one side of an upper portion of the football shaped container, and showing a top, one end, and one side of the lower portion of the football shaped container; and,

FIG. 9 is a perspective view of the separated upper portion and lower portion of the football shaped container, showing an interior of the opposite side, an interior of the opposite end, and showing a bottom of the lower portion.

1 Claim, 9 Drawing Sheets



(56)

References Cited

U.S. PATENT DOCUMENTS

D275,922 S 10/1984 Weil
 D298,105 S 10/1988 Lamantia, Jr.
 D341,295 S 11/1993 Thorpe
 D341,316 S 11/1993 Fritz et al.
 D365,443 S 12/1995 Wu
 D411,715 S 6/1999 Hansen
 D424,375 S * 5/2000 D'Arrigo D7/510
 D425,757 S * 5/2000 Printz D7/901
 D434,557 S 12/2000 Vercelli et al.
 D481,252 S 10/2003 Fung
 D488,718 S 4/2004 Passerini
 D565,288 S 4/2008 Hickman
 D599,620 S 9/2009 Eaton
 D614,504 S * 4/2010 Coat D9/652
 D627,233 S 11/2010 Blakeman
 D629,306 S 12/2010 Staton et al.
 D666,048 S * 8/2012 Kasswran D7/901
 D666,919 S * 9/2012 Gelin D9/729
 D704,563 S * 5/2014 Gonzalez Rodriguez D9/558
 D710,152 S * 8/2014 Marini D7/901
 D710,154 S 8/2014 Marini
 D711,695 S 8/2014 Micara-Sartori et al.
 D713,217 S 9/2014 Micara-Sartori et al.
 D718,146 S * 11/2014 Tussy D9/668
 D735,050 S 7/2015 Tussy
 D789,748 S 6/2017 Peters et al.
 D790,282 S 6/2017 Price et al.
 D797,447 S 9/2017 Peng
 D800,508 S 10/2017 Peters
 D821,886 S 7/2018 Paulin et al.
 D834,943 S * 12/2018 Hrehorovich D9/707
 D843,106 S * 3/2019 Price D3/202

D853,196 S * 7/2019 Cramton D7/901
 D875,544 S * 2/2020 Peters D9/668
 D889,276 S * 7/2020 Mastronardi D9/426

OTHER PUBLICATIONS

Amazon NCS Football Shaped Cookie Chocolate Mold. [Online] 7 pages. First available: Jan. 30, 2016. Retrieved Jun. 9, 2022 from URL: <https://www.amazon.com/Football-Cookie-Chocolate-Mold-Instructions/dp/B01BAAA0A8/ref=sr_1_4?keywords=football+shaped+silicone+mold&qid=1%E2%80%A6> (Year: 2016).*

NFL Football Shaped Snickers Candy Bowl Container_New eBay. [Online] 6 pages. First available: 2003. Retrieved Jun. 9, 2022 from URL: <<https://www.ebay.com/itm/374036507163?chn=ps&mkevt=1&mkcid=28>> (Year: 2003).*

Reese's Football; <https://twitter.com/uniwatch/status/792738452697645056>; 1 page; Oct. 30, 2016.

Football Snack Dispenser; <https://www.amazon.com/Football-Dispenser-Gumball-Machine-Dispense/dp/B01KAIL0XC>; 1 page; Aug. 12, 2016.

Life Size 4 Piece Football Chocolate Mold . . . 2 piece football; <https://www.etsy.com/listing/462920776/life-size-4-piece-football-chocolate>; 2 pages; Nov. 11, 2014.

Football Chocolate Mold; <http://dadsfollies.com/product-tag/football/>; 1 page; Jul. 13, 2017.

Cybrtrayd S041 3D Footballs Chocolate Candy Mold; <https://www.amazon.com/Cybrtrayd-S041-Footballs-Copyrighted-instructions/dp/B000EJRBX6>; 1 page; Feb. 10, 2006.

Football Chest; <https://blowmoldedproducts.com/football-chest/>; 1 page; Jul. 13, 2017.

* cited by examiner

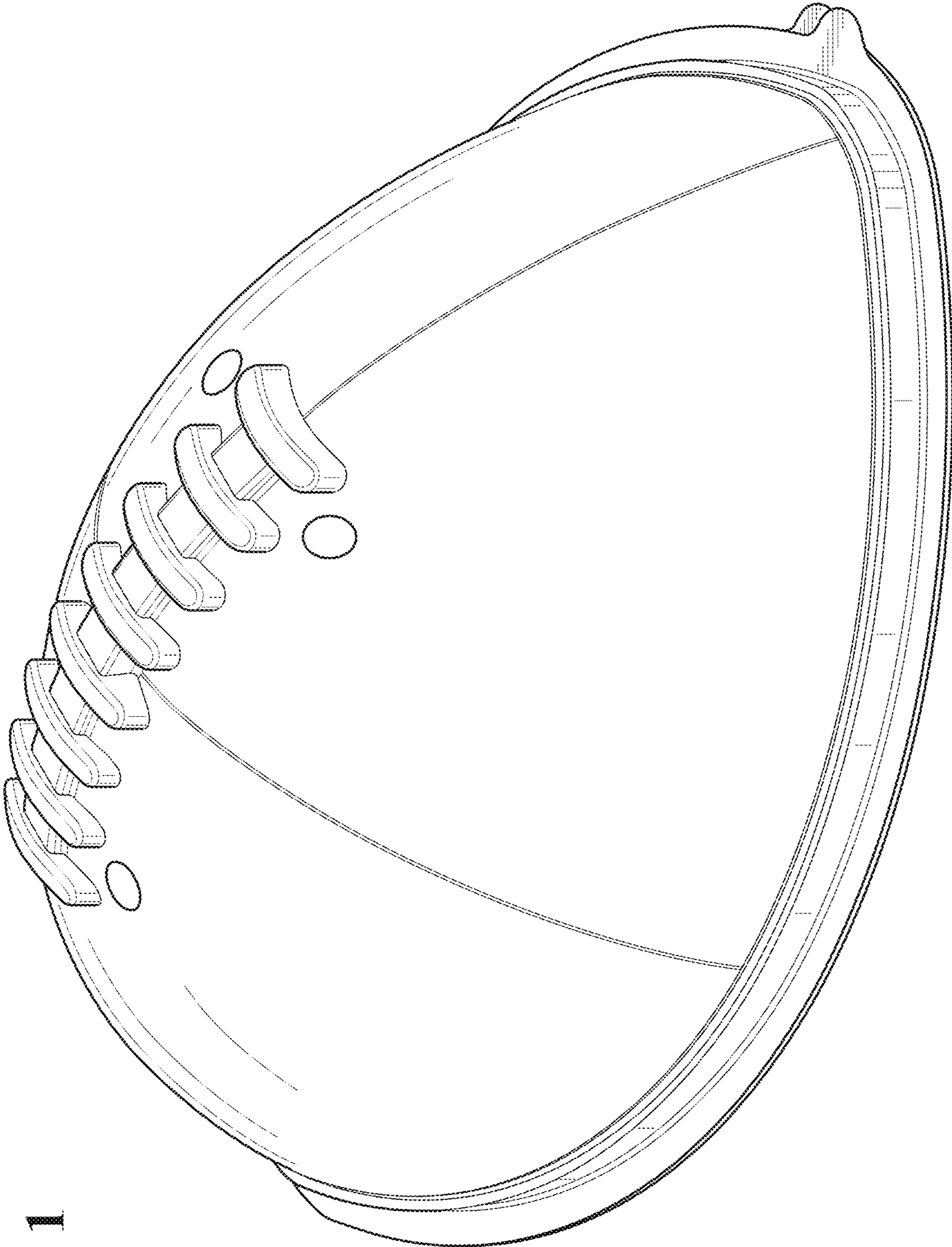


FIG. 1

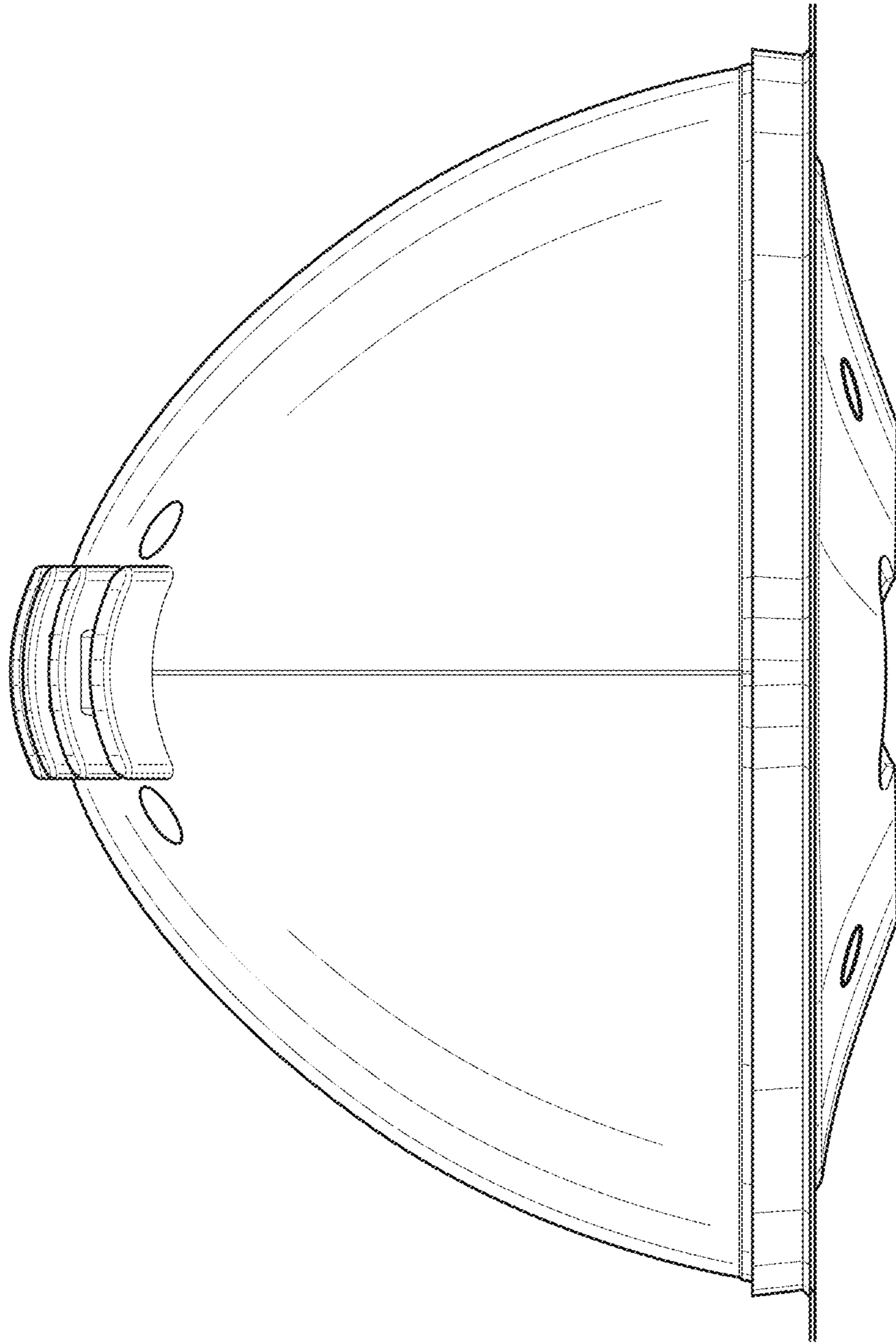


FIG. 2

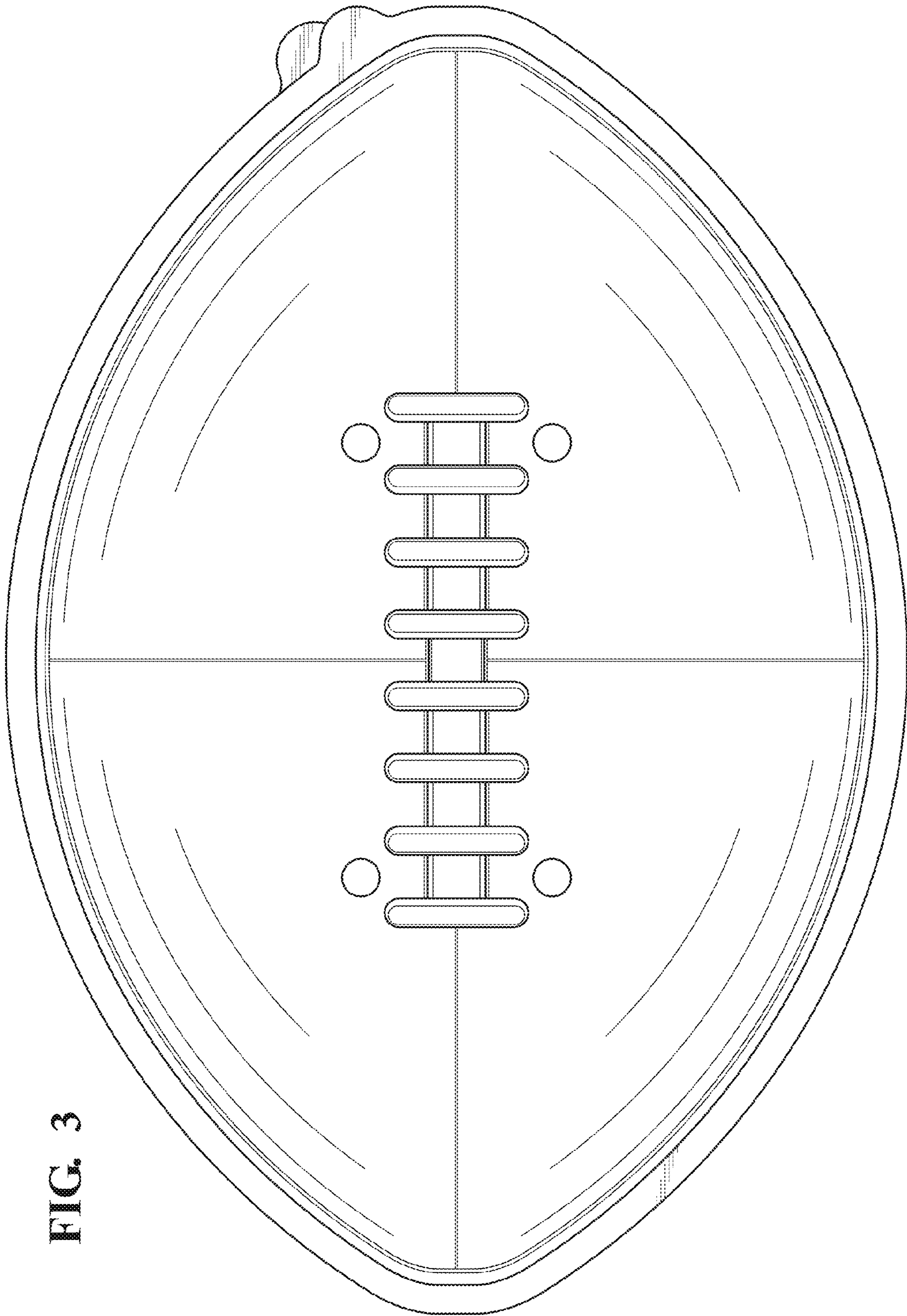


FIG. 3

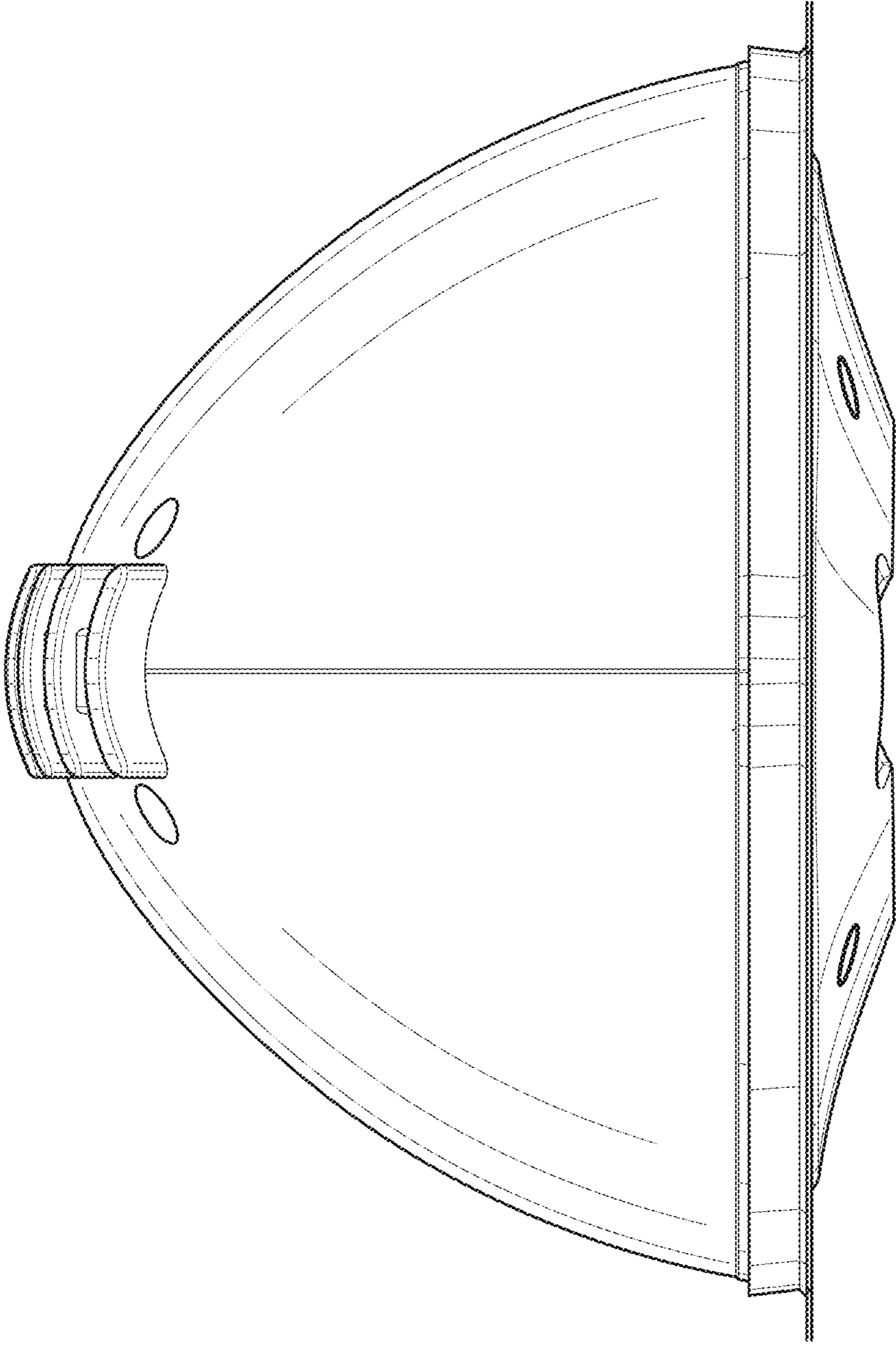


FIG. 4

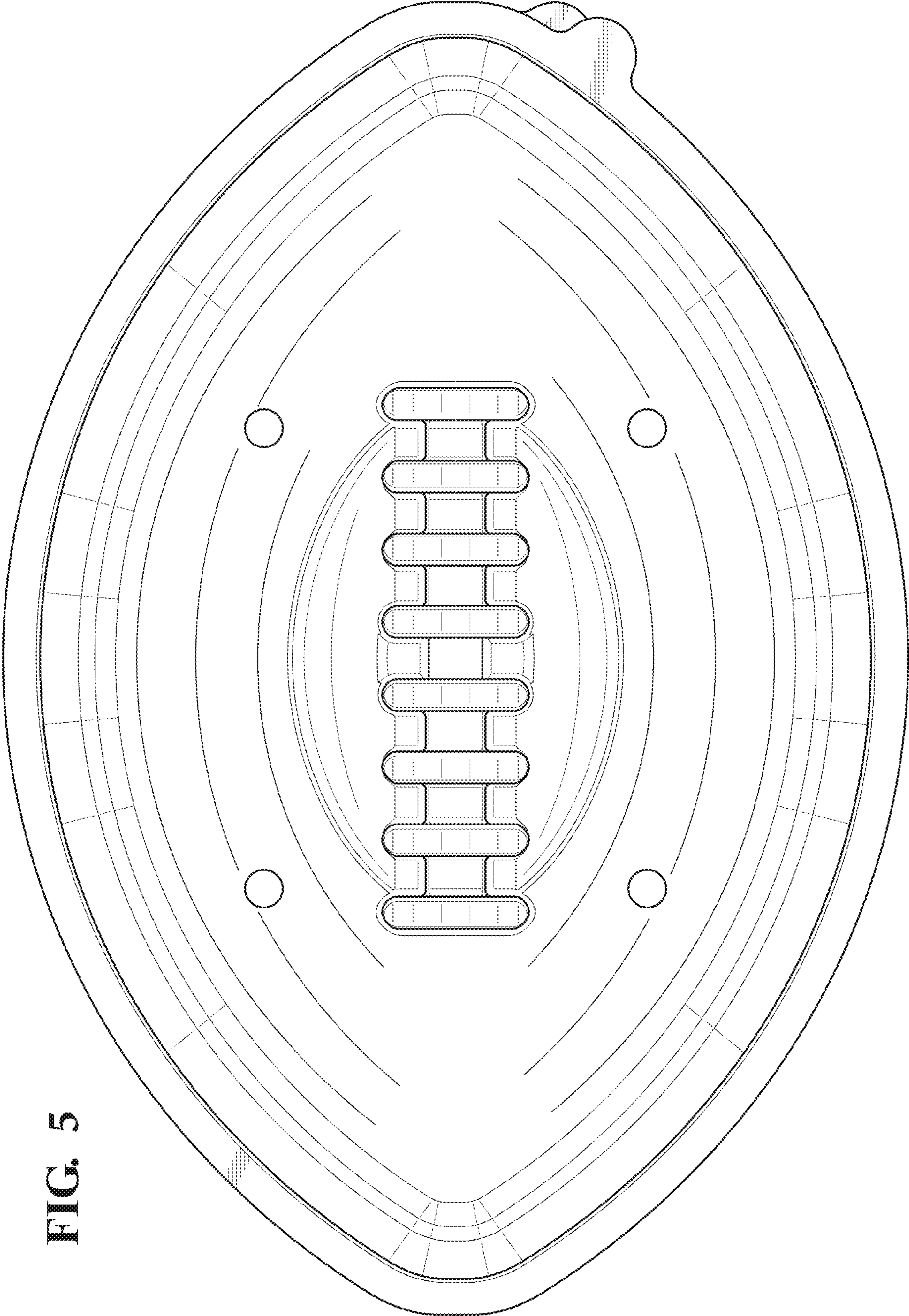


FIG. 5

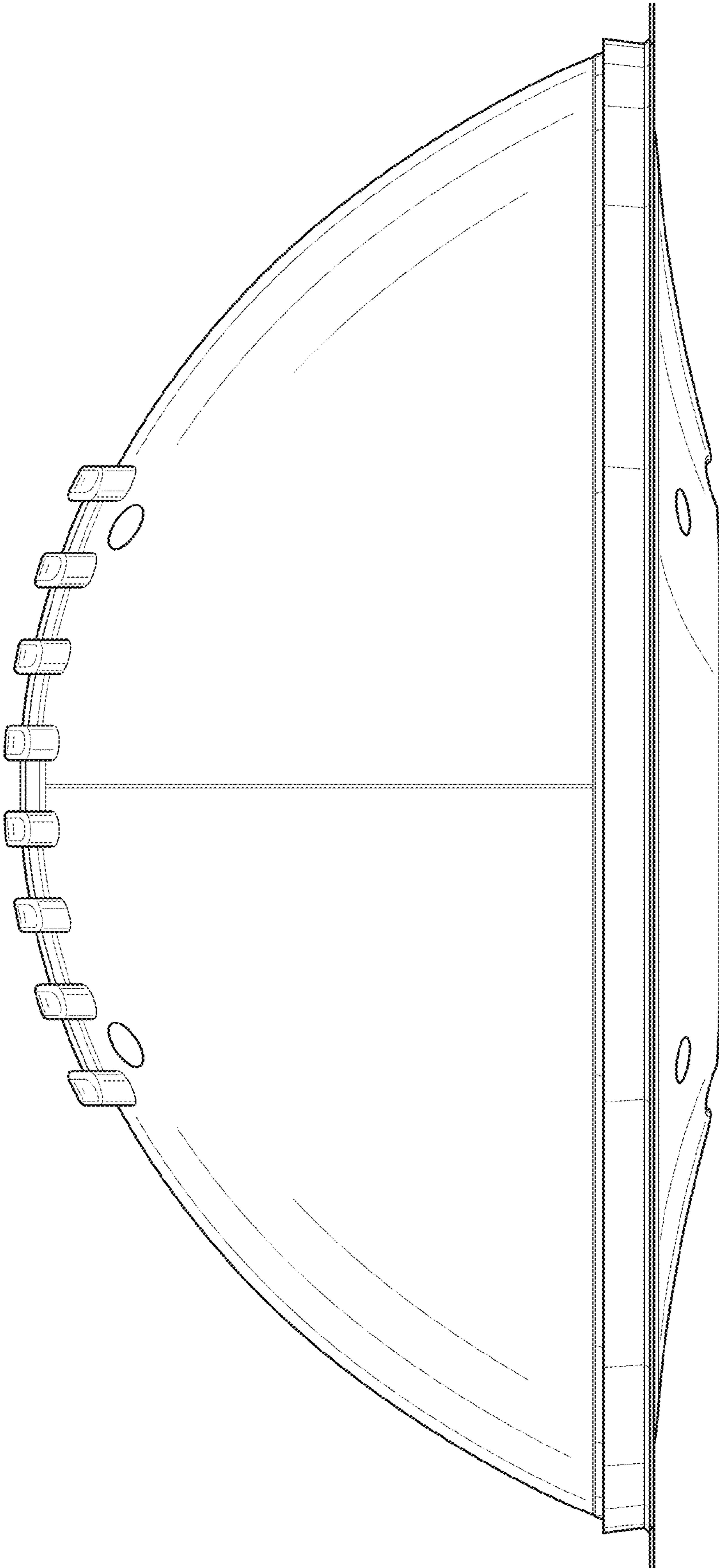


FIG. 6

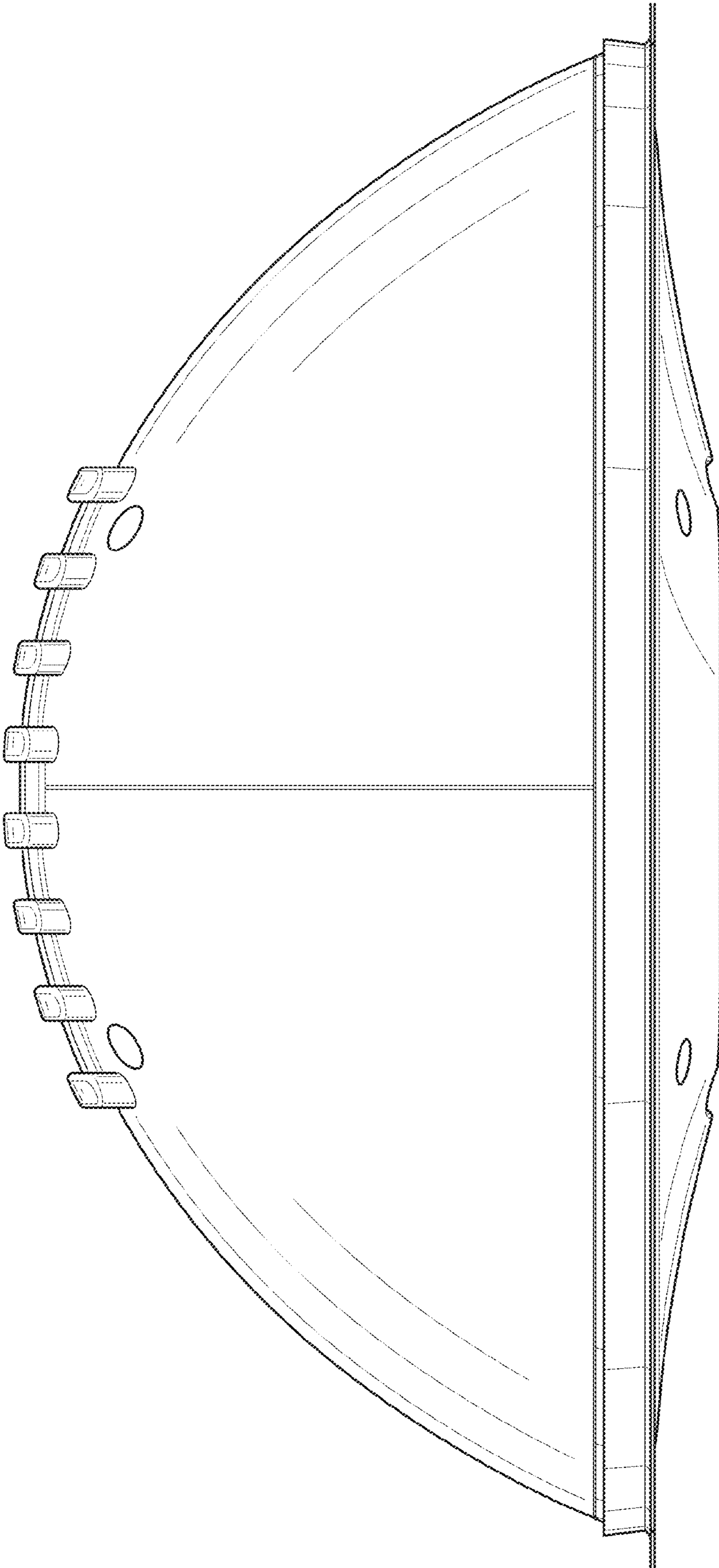


FIG. 7

FIG. 8

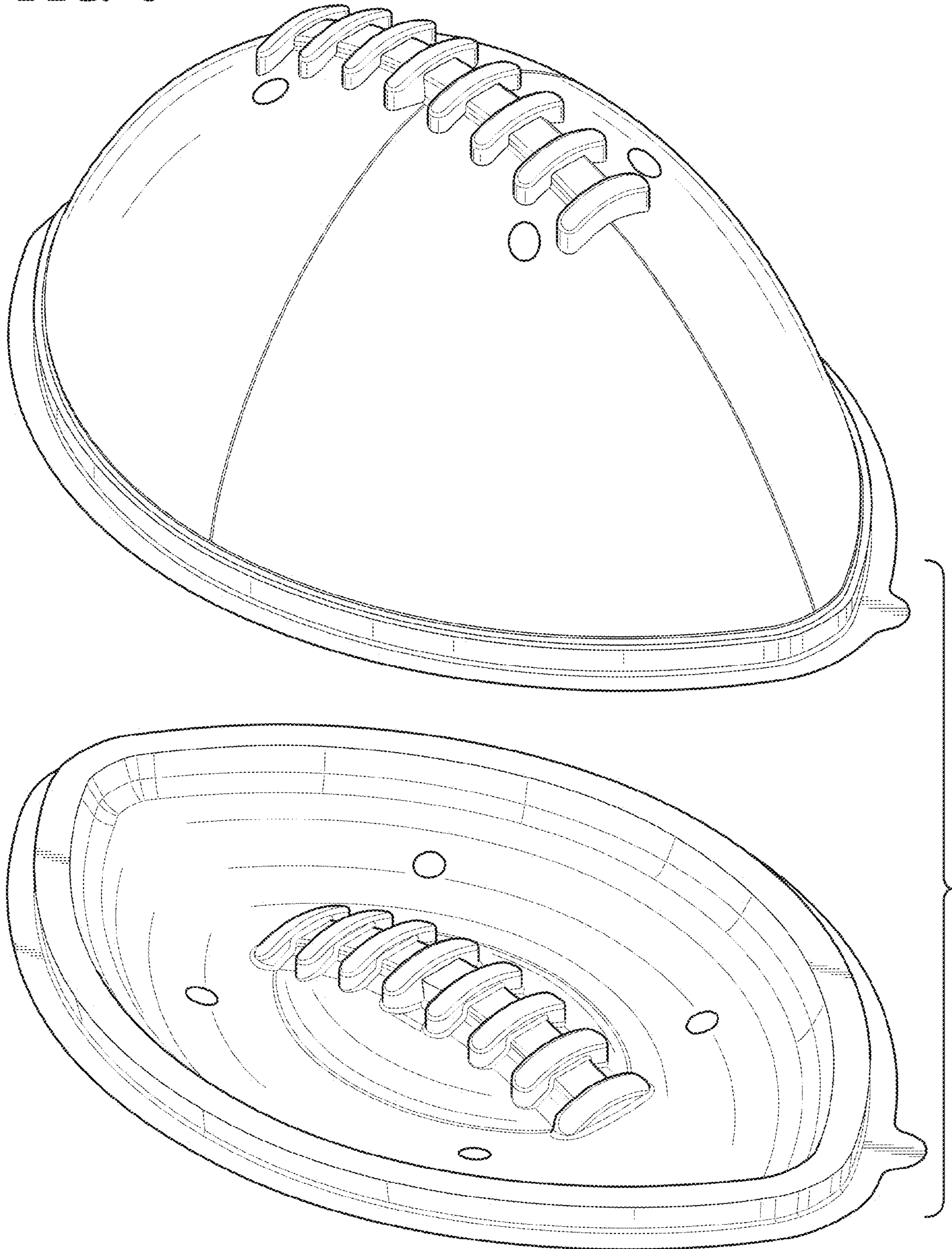


FIG. 9

